

USER'S MANUAL

Folding Wagon TL35442

THIS INSTRUCTION BOOKLET CONTAINS **IMPORTANT** SAFETY INFORMATION. PLEASE READ AND KEEP FOR FUTURE REFERENCE.

Please give us a chance to make it right and do better!

Contact our friendly customer service department for help first.

Replacements for missing or damaged parts will be shipped ASAP!

Follow Costway



Contact Us!

Do NOT return this item.

Contact our friendly customer service department for help first.



Before You Start

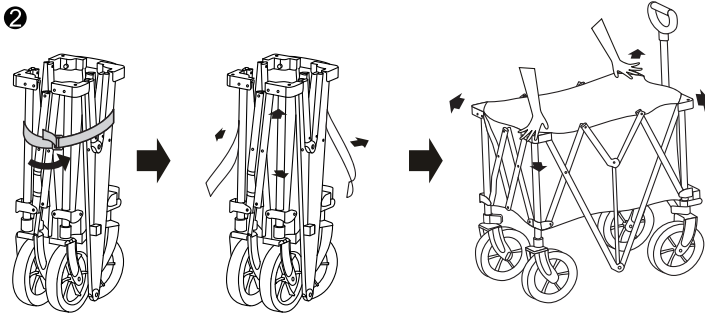
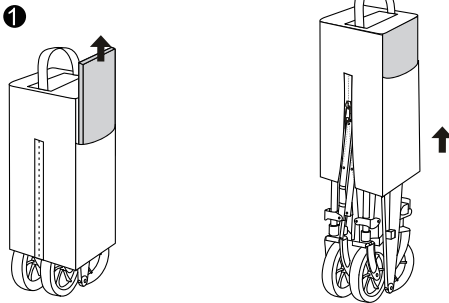
- ⚠ Please read all instructions carefully.
- ⚠ Retain instructions for future reference.
- ⚠ Separate and count all parts and hardware.
- ⚠ Read through each step carefully and follow the proper order.
- ⚠ We recommend that, where possible, all items are assembled near to the area in which they will be placed in use, to avoid moving the product unnecessarily once assembled.
- ⚠ Always place the product on a flat, steady and stable surface.
- ⚠ Keep all small parts and packaging materials for this product away from babies and children as they potentially pose a serious choking hazard.

Max loading: 180lbs

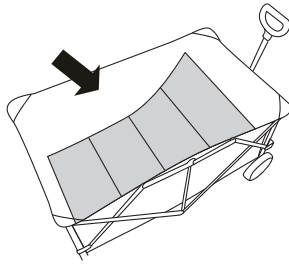
Set-up the wagon:

1. To open, remove carry bag and undo velcro storage straps around sides of wagon.
2. Unfold the wagon by pushing both sides in opposite directions and ensuring the floor of the interior is flat.
3. Place floor mat inside wagon to cover frame.
4. Extend wagon pull handle to desired length and enjoy!

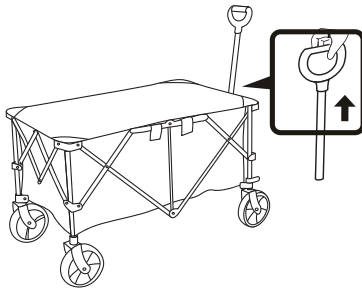
To fold wagon back into carrying bag, reverse the above instructions.



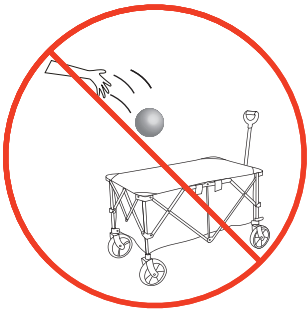
3



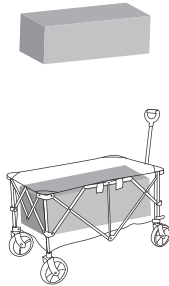
4



Don't throw items directly from high places

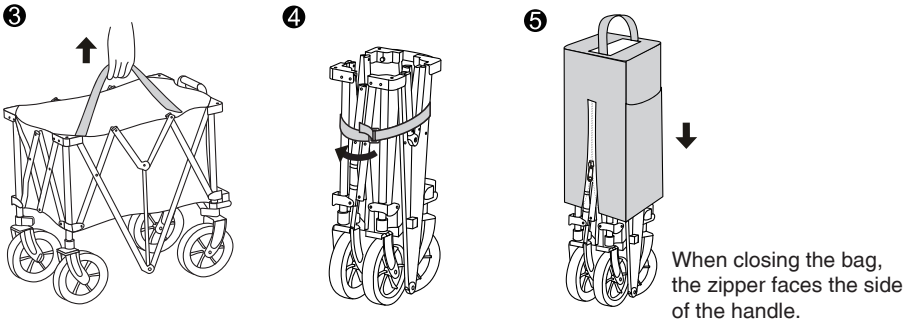
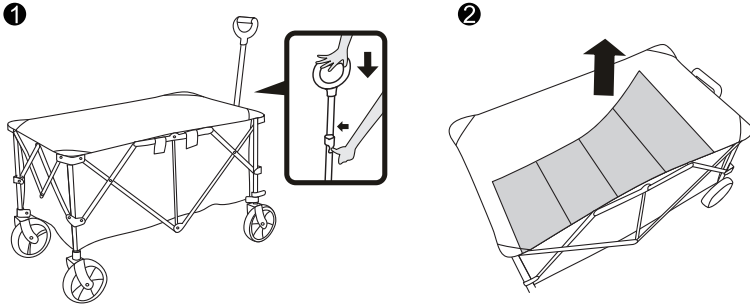


Max loading: 180lbs



Don't reverse push and pull when carrying large weight



Folding the wagon:**WASHING INSTRUCTIONS**

Surface wash with a damp cloth only. Spot clean. Do not immerse in water.
Dry immediately.

Made in China



COSTWAY
SHOP EASY. SAVE MONEY.