

TMO30H|TMO30HB

30" PROFESSIONAL MICROWAVE OVEN

# INSTALLATION INSTRUCTIONS

**THOR**  
K I T C H E N<sup>®</sup>

INSTALLATION INSTRUCTIONS MANUAL

# 30" PROFESSIONAL MICROWAVE OVEN

TMO30H | TMO30HB

**THOR**  
K I T C H E N<sup>®</sup>

# TABLE OF CONTENTS

<b>1. SAFETY WARNINGS</b>	<b>01</b>
1.1 Precautions To Avoid Possible Exposure To Excessive Microwave Energy	01
1.2 Specifications	01
1.3 Important Safety Instructions	01
1.4 For Combination Microwave Ovens	04
1.5 Grounding Instructions	04
1.6 Radio Interference	05
1.7 Utensils	06
1.8 Materials You Can Use In Microwave Oven	07
1.9 Materials To Be Avoided In Microwave Oven	08
1.10 Causes Of Damage	08
1.11 For The Serviceman	10
<b>2. PRODUCT INSTALLATION</b>	<b>11</b>
2.1 Important Information	11
2.2 Before You Begin	11
2.3 Checklist For Installation	12
2.4 Installation Instructions	12
2.5 Product View	13
2.6 Dimensions	14
2.7 Standard Installation-1	15
2.8 Flush Installation-1	16
2.9 Standard Installation-2	17
2.10 Flush Installation-2	18
2.11 Ventilated Cabinet	19
2.12 Mount to Cabinet	19
2.13 Install the Handle	20

# 1. SAFETY WARNINGS

## 1.1 Precautions To Avoid Possible Exposure To Excessive Microwave Energy

- Do not attempt to operate this oven with the door open since open door operation can result in harmful exposure to microwave energy. It is important not to defeat or tamper with the safety interlocks.
- Do not place any object between the oven front face and the door or allows soil or cleaner residue to accumulate on sealing surfaces.
- Do not operate the oven if it is damaged. It is particularly important that the oven door close properly and that there is no damage to the:
  - DOOR (bent)
  - HINGES AND LATCHES (broken or loosened)
  - DOOR SEALS AND SEALING SURFACES
- The oven should not be adjusted or repaired by anyone except properly qualified service personnel.

## 1.2 Specifications

Model	TMO30H&TMO30H
Rated Voltage	120 V~ 60 Hz
Microwave Input	1750 W
Microwave Output	950 W
Grill	1700 W
Convection	1700 W
Bake	600 W

## 1.3 Important Safety Instructions

When using electrical appliances basic safety precautions should be followed. Including the following: **WARNING** - To reduce the risk of burns, electric shock, fire, injury to persons or exposure to excessive microwave energy:

- 1) Read all instructions before using the appliance.
- 2) Read and follow the specific: "PRECAUTIONS TO AVOID POSSIBLE EXPOSURE TO EXCESSIVE MICROWAVE ENERGY" found on (Page 4).
- 3) This appliance must be grounded. Connect only to properly grounded outlet. See "GROUNDING INSTRUCTIONS" found on (Page 7-8).

# 1. SAFETY WARNINGS

- 4) Install or locate this appliance only in accordance with the provided installation instructions.
- 5) Some products such as whole eggs and sealed containers – for example, closed glass jars – are able to explode and should not be heated in this oven.
- 6) Use this appliance only for its intended use as described in the manual. Do not use corrosive chemicals or vapors in this appliance. This type of oven is specifically designed to heat, cook, or dry food. It is not designed for industrial or laboratory use.
- 7) **HOT CONTENTS CAN CAUSE SEVERE BURNS. DO NOT ALLOW CHILDREN TO USE THE MICROWAVE.** Use caution when removing hot items.
- 8) Do not operate this appliance if it has a damaged cord or plug, if it is not working properly, or if it has been damaged or dropped.
- 9) This appliance should be serviced only by qualified service personnel. Contact nearest authorized service facility for examination, repair, or adjustment.
- 10) Do not cover or block any openings on the appliance.
- 11) Do not store this appliance outdoors. Do not use this product near water – for example, near a kitchen sink, in a wet basement, near a swimming pool, or similar locations.
- 12) Do not immerse cord or plug in water.
- 13) Keep cord away from heated surfaces.
- 14) Do not let cord hang over edge of table or counter.
- 15) Please always follow the instructions specified on Page 35-Page 37 for door surface cleaning.
- 16) To reduce the risk of fire in the oven cavity:
  - i) Do not overcook food. Carefully attend appliance when paper, plastic, or other combustible materials are placed inside the oven to facilitate cooking.
  - ii) Remove wire twist-ties from paper or plastic bags before placing bag in oven.
  - iii) If materials inside the oven ignite, keep oven door closed, turn oven off, and disconnect the power cord, or shut off power at the fuse or circuit breaker panel.
  - iv) Do not use the cavity for storage purposes. Do not leave paper products, cooking utensils, or food in the cavity when not in use.
- 17) Liquids, such as water, coffee, or tea are able to be overheated beyond the boiling point without appearing to be boiling. Visible bubbling or boiling when the container is removed from the microwave oven is not always present. **THIS COULD RESULT IN VERY HOT LIQUIDS SUDDENLY BOILING OVER WHEN THE CONTAINER IS DISTURBED OR A UTENSIL IS INSERTED INTO THE LIQUID.**

To reduce the risk of injury to persons:

- Do not overheat the liquid.
- Stir the liquid both before and halfway through heating it.
- Do not use straight-sided containers with narrow necks.

# 1. SAFETY WARNINGS

- After heating, allow the container to stand in the microwave oven for a short time before removing the container.
- Use extreme care when inserting a spoon or other utensil into the container.

## **SAVE THESE INSTRUCTIONS**

- Do not operate any heating or cooking appliance beneath the appliance. (Exception: A microwave oven investigated for use above another heating appliance.)
- Do not mount unit over or near any portion of heating or cooking appliance. (Exception: A microwave oven investigated for use above another heating appliance.)
- Do not mount over sink.
- Do not store anything directly on top of the appliance surface when the appliance is in operation.
- Oversized food or oversized metal utensils should not be inserted in a microwave/toaster oven as they may create a fire or risk of electric shock
- Do not clean with metal scouring pads. Pieces can burn off the pad and touch electrical parts involving a risk of electric shock.
- Do not use paper products when appliance is operated in the toaster mode.
- Do not store any materials, other than manufacturer's recommended accessories, in this oven when not in use.
- Do not cover racks or any other part of the oven with metal foil. This will cause overheating of the oven.
- Not for use adjacent to (within 2 feet of) any gas or electric range, cooktop, or oven.
- a) A short power-supply cord is provided to reduce the risks resulting from becoming entangled in or tripping over a longer cord.
- b) Longer cord sets or extension cords are available and may be used if care is exercised in their use.
- c) If a long cord or extension cord is used:
  - 1) The marked electrical rating of the cord set or extension cord should be at least as great as the electrical rating of the appliance;
  - 2) The extension cord must be a grounding-type 3-wire cord; and
  - 3) The longer cord should be arranged so that it will not drape over the counter top or tabletop where it can be pulled on by children or tripped over unintentionally.
- 1) HOT CONTENTS CAN CAUSE SEVERE BURNS. DO NOT ALLOW CHILDREN TO USE THE MICROWAVE. Use caution when removing hot items
- 2) If materials inside the oven should ignite, keep oven door closed, turn oven off, and disconnect the power cord, or shut off the power at the fuse or circuit breaker panel.

# 1. SAFETY WARNINGS

## 1.4 For Combination Microwave Ovens

- 1) Oversized foods or oversized metal utensils should not be inserted in a microwave oven as they may create a fire or risk of electric shock.
- 2) Do not clean with metal scouring pads. Pieces can burn off the pad and touch electrical parts involving a risk of electric shock.
- 3) Do not use paper products when appliance is operated in the toaster mode.
- 4) Do not store any materials, other than manufacturer's recommended accessories, in this oven when not in use.
- 5) Do not cover racks or any other part of the oven with metal foil. This will cause overheating of the oven.

## 1.5 Grounding Instructions

This appliance must be grounded. In the event of an electrical short circuit, grounding reduces the risk of electric shock by providing an escape wire for the electric current. This appliance is equipped with a cord having a grounding wire with a grounding plug. The plug must be plugged into an outlet that is properly installed and grounded.

**WARNING** - Improper use of the grounding can result in a risk of electric shock. Consult a qualified electrician or serviceman if the grounding instructions are not completely understood, or if doubt exists as to whether the appliance is properly grounded. If it is necessary to use an extension cord, use only a 3-wire extension cord that has a 3-blade grounded plug, and 3-slot receptacle that will accept the plug on the appliance. The marked rating of the extension cord shall be equal to or greater than the electrical rating of the appliance.

### **DANGER - Electric Shock Hazard**

Touching some of the internal components can cause serious personal injury or death. Do not disassemble this appliance.

### **WARNING - Electric Shock Hazard**

Improper use of the grounding can result in electric shock. Do not plug into an outlet until appliance is properly installed and grounded.

A short power-supply cord is provided to reduce the risks resulting from becoming entangled in or tripping over a longer cord.

Longer cord sets or extension cords are available and may be used if care is exercised in their use.

If a long cord or extension cord is used:

The marked electrical rating of the cord set or extension cord should be at least as great as the electrical rating of the appliance.

# 1. SAFETY WARNINGS

The extension cord must be a grounding-type 3-wire cord.

The longer cord should be arranged so that it will not drape over the counter top or tabletop where it can be pulled on by children or tripped over unintentionally.

## 1.6 Radio Interference

- Operation of the microwave oven may cause interference to your radio, TV or similar equipment.
- When there is interference, it may be reduced or eliminated by taking the following measures:
  - Clean door and sealing surface of the oven.
  - Reorient the receiving antenna of radio or television.
  - Relocate the microwave oven with respect to the receiver.
  - Plug the microwave oven into a different outlet so that microwave oven and receiver are on different branch circuits
  - This equipment complies with FCC radiation exposure limits set forth for an uncontrolled environment. This equipment should be installed and operated with minimum distance 20cm between the radiator & your body.
- This device complies with CAN ICES-001 (B) / NMB-001 (B) & CAN ICES-003 (B) / NMB-003 (B) .Operation is subject to the following two conditions: (1) This device may not cause interference, and (2) This device must accept any interference, including interference that may cause undesired operation of the device.

This device complies with part 18 of the FCC Rules.

This device complies with part 15 of the FCC Rules. Operation is subject to the following two conditions: (1)This device may not cause harmful interference, and (2) this device must accept any interference received, including interference that may cause undesired operation.

NOTE: This equipment has been tested and found to comply with the limits for a Class B digital device, pursuant to Part 15 of the FCC Rules. These limits are designed to provide reasonable protection against harmful interference in a residential installation. This equipment generates, uses and can radiate radio frequency energy and, if not installed and used in accordance with the instructions, may cause harmful interference to radio communications. However, there is no guarantee that interference will not occur in a particular installation. If this equipment does cause harmful interference to radio or television reception, which can be determined by turning the equipment off and on, the user is encouraged to try to correct the interference by one or more of the following measures:

- Reorient or relocate the receiving antenna.
- Increase the separation between the equipment and receiver.
- Connect the equipment into an outlet on a circuit different from that to which the receiver is connected.
- Consult the dealer or an experienced radio/TV technician for help.

# 1. SAFETY WARNINGS

Changes or modifications not expressly approved by the party responsible for compliance could void the user's authority to operate the equipment.

## 1.7 Utensils

CAUTION - Personal Injury Hazard

Tightly-closed utensils could explode. Closed containers should be opened and plastic pouches should be pierced before cooking.

See the instructions on "Materials you can use in microwave oven or to be avoided in microwave oven."

There may be certain non-metallic utensils that are not safe to use for microwaving. If in doubt, you can test the utensil in question following the procedure below.

### Utensil Test:

- Fill a microwave-safe container with 1 cup of cold water (250ml) along with the utensil in question.
- Cook on maximum power for 1 minute.
- Carefully feel the utensil. If the empty utensil is warm, do not use it for microwave cooking.
- Do not exceed 1 minute cooking time.

# 1. SAFETY WARNINGS

## 1.8 Materials You Can Use In Microwave Oven

Utensils	Remarks
Browning dish	Follow manufacturer's instructions. The bottom of browning dish must be at least 3/16 inch (5mm) above the turntable. Incorrect usage may cause the turntable to break.
Dinnerware	Microwave-safe only. Follow manufacturer's instructions. Do not use cracked or chipped dishes.
Glass jars	Always remove lid. Use only to heat food until just warm. Most glass jars are not heat resistant and may break.
Glassware	Heat-resistant oven glassware only. Make sure there is no metallic trim. Do not use cracked or chipped dishes.
Oven cooking bags	Follow manufacturer's instructions. Do not close with metal tie. Make slits to allow steam to escape.
Paper plates and cups	Use for short-term cooking/warming only. Do not leave oven unattended while cooking.
Paper towels	Use to cover food for reheating and absorbing fat. Use with supervision for a short-term cooking only.
Parchment paper	Use as a cover to prevent splattering or a wrap for steaming.
Plastic	Microwave-safe only. Follow the manufacturer's instructions. Should be labeled "Microwave Safe". Some plastic containers soften, as the food inside gets hot. "Boiling bags" and tightly closed plastic bags should be slit, pierced or vented as directed by package.
Plastic wrap	Microwave-safe only. Use to cover food during cooking to retain moisture. Do not allow plastic wrap to touch food.
Thermometers	Microwave-safe only ( meat and candy thermometers).
Wax paper	Use as a cover to prevent splattering and retain moisture.

# 1. SAFETY WARNINGS

## 1.9 Materials To Be Avoided In Microwave Oven

Utensils	Remarks
Aluminum tray	May cause arcing. Transfer food into microwave-safe dish.
Food carton with metal handle	May cause arcing. Transfer food into microwave-safe dish.
Metal or metal-trimmed utensils	Metal shields the food from microwave energy. Metal trim may cause arcing.
Metal twist ties	May cause arcing and could cause a fire in the oven.
Paper bags	May cause a fire in the oven.
Plastic foam	Plastic foam may melt or contaminate the liquid inside when exposed to high temperature.
Wood	Wood will dry out when used in the microwave oven and may split or crack.

## 1.10 Causes Of Damage

### Caution!

- Creation of sparks: Metal e.g. a spoon in a glass must be kept at least 2 cm from the oven walls and the inside of the door. Sparks could irreparably damage the glass on the inside of the door.
- Water in the hot cooking compartment: Never pour water into the hot cooking compartment. This will cause steam. The temperature change can cause damage.
- Moist food: Do not store moist food in the closed cooking compartment for long periods. Do not use the appliance to store food. This can lead to corrosion.
- Cooling with the appliance door open: Only leave the cooking compartment to cool with the door closed. Do not trap anything in the appliance door. Even if the door is only slightly ajar, the fronts of adjacent units may be damaged over time.
- Heavily soiled seal: If the seal is very dirty, the appliance door will no longer close properly during operation. The fronts of adjacent units could be damaged. Always keep the seal clean.
- Operating the microwave without food: Operating the appliance without food in the cooking compartment may lead to overloading. Never switch on the appliance unless there is food in the cooking compartment. An exception to this rule is a short crockery test (see the section "Microwave, suitable crockery").

# 1. SAFETY WARNINGS

- Using the appliance door for standing on or placing objects on: Do not stand or place anything on the open appliance door. Do not place overware or accessories on the appliance door.
- Transporting the appliance: Do not carry or hold the appliance by the door handle. The door handle cannot support the weight of the appliance and could break.
- Microwave popcorn: Never set the microwave power too high. Use a power setting no higher than 600 watts. Always place the popcorn bag on a ceramic plate. The disc may jump if overloaded.
- Liquid that has boiled over must not be allowed to run through the turntable drive into the interior of the appliance. Monitor the cooking process. Choose a shorter cooking time initially, and increase the cooking time as required.
- The oven should be cleaned regularly and any food deposits removed since they may explode, even after microwave heating has ended.
- Failure to maintain the oven in a clean condition could lead to deterioration of the surface that could adversely affect the life of the appliance and possibly result in a hazardous situation.

# 1. SAFETY WARNINGS

## 1.11 For The Serviceman

CAUTION: This Device Is To Be Serviced Only By Properly Qualified Personnel. Consult The Service Manual For Proper Service Procedures To Assure Continued Compliance With The Federal Performance Standard For Microwave Ovens And For Precautions To Be Taken To Avoid Possible Exposure To Excessive Microwave Energy.

When replacing fuse, check operation of door interlock and interlock monitor circuit and replace any faulty components.

WARNING - For continued protection against excessive radiation emission, replace only with

- 1)Primary Switch : KW3A.
- 2)Secondary Switch : KW3A.
- 3)Monitor Switch : KW3A.
- 4)Fuses : UL listed miscellaneous type fuse rated 20A for fuse

PRECAUTIONS

TO BE OBSERVED BEFORE AND DURING SERVICING TO AVOID POSSIBLE EXPOSURE TO EXCESSIVE MICROWAVE ENERGY.”

UNPLUG THE POWER SUPPLIER CORD AND BE SURE THE UNIT IS DEENERGIZED BEFORE AND DURING THE MICROWAVE OVEN ENCLOSURE IS REMOVED, EXTRA PRECAUTIONS TO BE OBSERVED DUE TO THE POSSIBLE EXPOSURE AND ACCESSIBLE TO EXTREMELY-HIGH VOLTAGE COMPONENTS.

- (a). Do not operate or allow the oven to be operated with the door open.
- (b). Make the following safety checks on all ovens to be serviced before activating the magnetron or other microwave source, and make repairs as necessary, (1) interlock operation, (2) proper door closing, (3) seal and sealing surfaces (arcing, wear, and other damage), (4) damage to or loosening of hinges and latches, (5) evidence of dropping or abuse.
- (c) Before turning on microwave power for any service test or inspection within the microwave generating compartments, check the magnetron, wave guide or transmission line, and cavity for proper alignment, integrity, and connections.
- (d) Any defective or misadjusted components in the interlock, monitor, door seal, and microwave generation and transmission systems shall be repaired, replaced, or adjusted by procedures described in this manual before the oven is released to the owner.
- (e) A microwave leakage check to verify compliance with the Federal Performance Standard should be performed on each oven prior to release to the owner.

## 2. PRODUCT INSTALLATION

### 2.1 Important Information

#### **Electrical connection with plug** (only for some models, subject to our products)

The appliance is fitted with a plug and must only be connected to a properly installed earthed socket. Only a qualified electrician who takes the appropriate regulations into account may install the socket or replace the connecting cable.

If the plug is no longer accessible following installation, an all-pole isolating switch must be present on the installation side with a contact gap of at least 3 mm. Contact protection must be ensured by the installation. Fuse protection: see instructions for use-technical data.

#### **Electrical connection without plug** (only for some models, subject to our products)

The appliance is designed to be permanently installed with a three-pin power cord and may only be connected by a licensed expert in accordance with the connection diagram.

Only a qualified electrician who takes the relevant regulations into account may replace the power cord. Do not use multiple plugs, power strips or extensions. Overloading causes a risk of fire.

If the connection is no longer accessible following installation, an all-pin isolating switch with a contact gap of at least 3 mm must be provided.

#### **Connect the wires of the mains power cord in accordance with the following colour coding:**

Green and yellow	Earth wire (E)
Blue	Neutral wire (N)
Brown	Live (L)

#### **Great Britain and Australia:**

Do not connect the appliance using a 13 A plug or protect it with a 13 A fuse. The appliance must be protected using a fuse that is rated 16 A or higher. The appliance must be disconnected from the power supply during all installation work.

When the appliance is installed, protection must be provided against accidental contact in the future.

### 2.2 Before You Begin

#### **Tools and parts needed**

- Philips head screwdriver
- 1/8" drill bit and drill
- Measuring tape
- Knife

#### **Parts included**

- Microwave oven
- Philips head screws

#### **Power Requirements**

The outlet must be properly grounded in accordance with all applicable codes. It can be installed in the back wall directly behind the appliance.

## 2. PRODUCT INSTALLATION

### 2.3 Checklist For Installation

Use this checklist to verify that you have completed each step of the installation process. This can help you avoid mistakes.

Refer to detailed instructions for each step in the sections following this checklist.

1. Before installing the appliance, be sure to verify the cabinet dimensions are correct for your appliance and that the required electrical connections are present. Make sure the electrical conduit provided on the appliance is able to reach to the point of connection.
2. Move the appliance into place in front of the cabinet opening.
3. Remove packaging materials, leaving the bottom packaging on the appliance to avoid damage to the floor.
4. Team-lift the appliance directly into the cabinet cutout.
5. Slide the appliance all the way into place.
6. Fasten the appliance to the cabinet opening with the screws supplied.

Always read and follow the complete installation instructions contained in this manual.

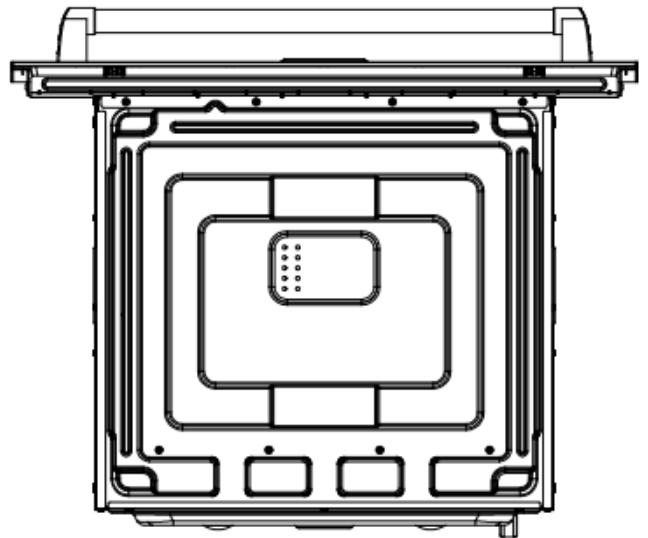
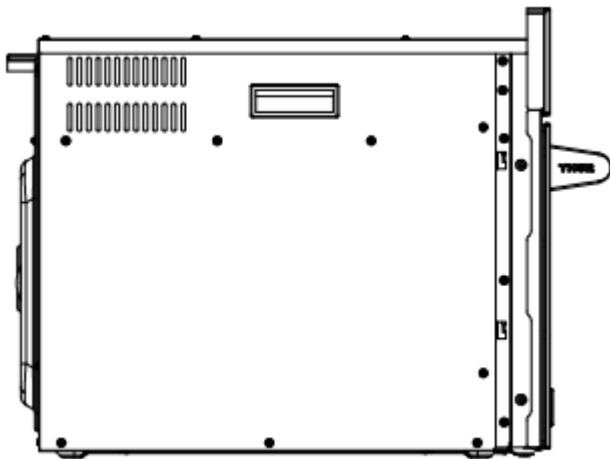
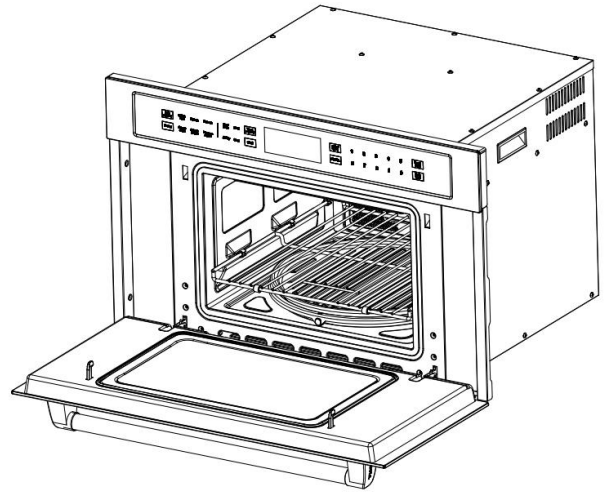
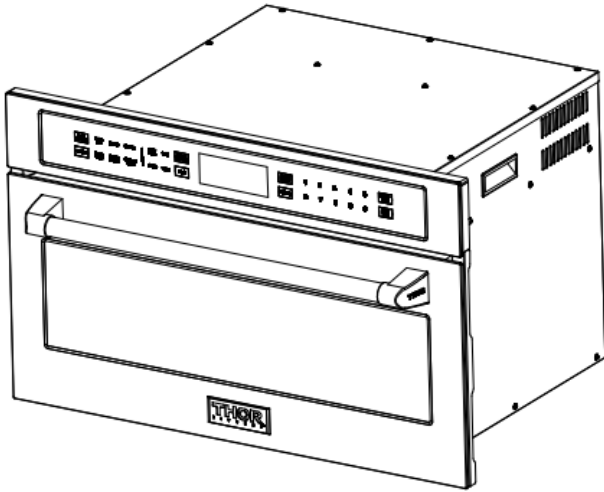
### 2.4 Installation Instructions

#### GENERAL CABINET REQUIREMENTS:

- 1/4" space is required between the side of the appliance and an adjacent wall or cabinet door when installed at the end of a cabinet run.
- The cabinet base must be flat and capable of supporting the weight (roughly 90 pounds) of your appliance when in use.
- The appliance door will overlap the furniture below by approx 3/16" when opened.
- There must be an air gap of at least 1/4" between the appliance and the cabinet walls when the appliance is installed, i.e. 1/8" each side.

## 2. PRODUCT INSTALLATION

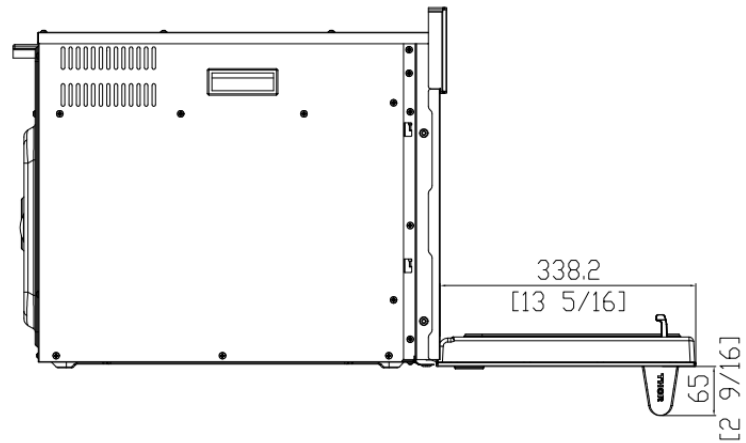
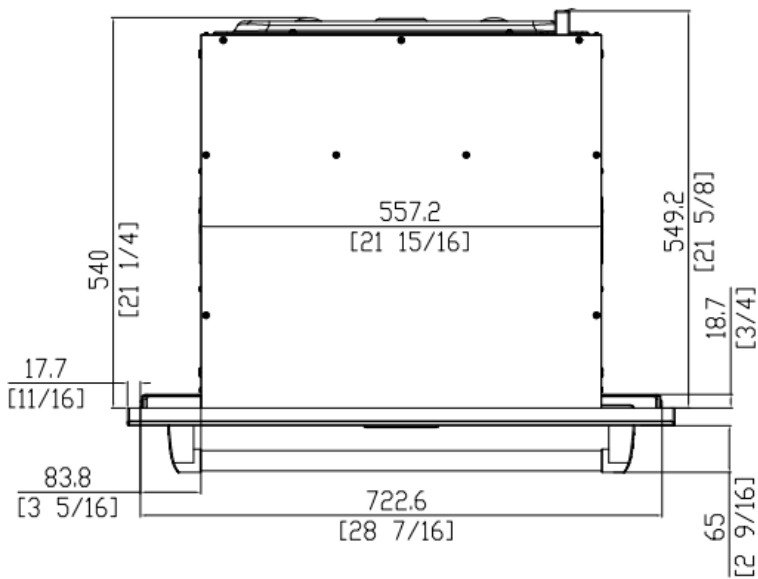
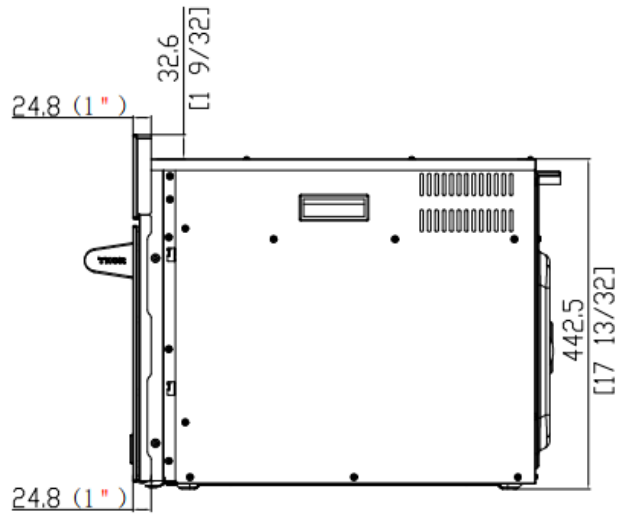
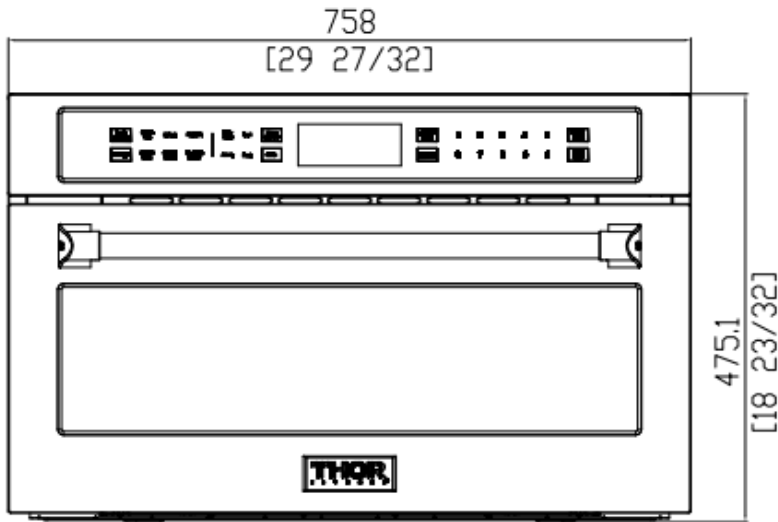
### 2.5 Product View



## 2. PRODUCT INSTALLATION

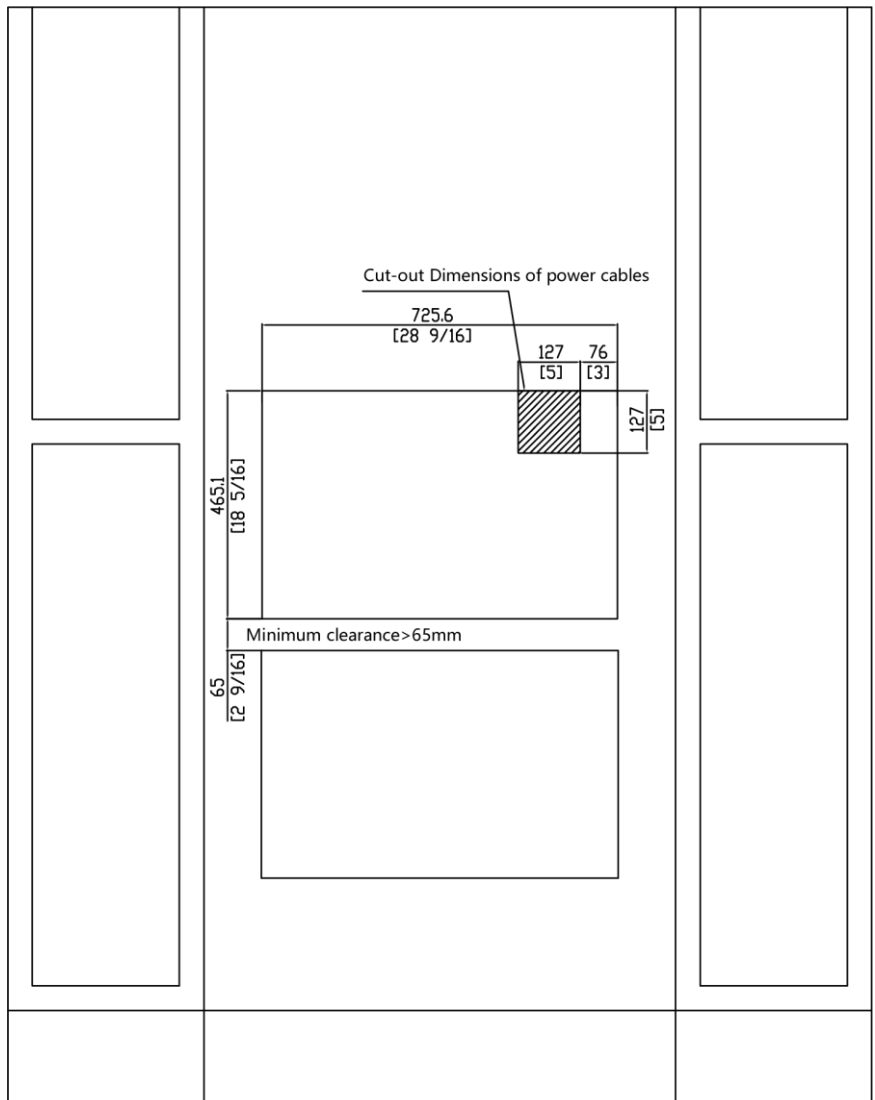
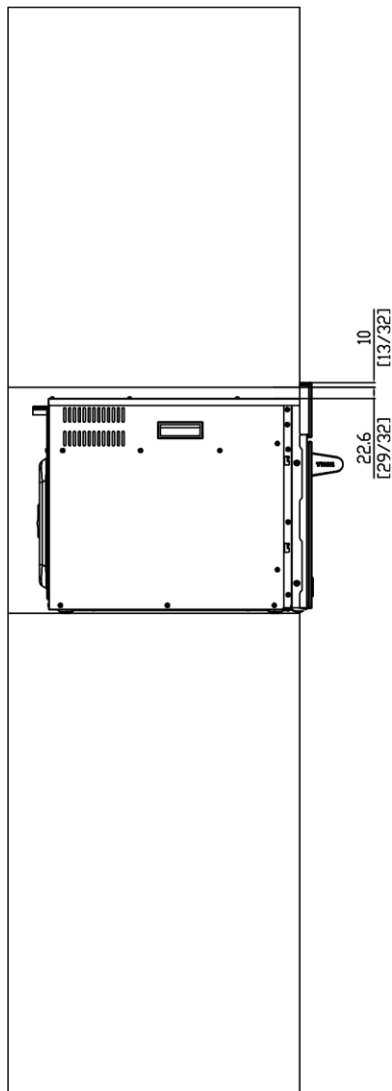
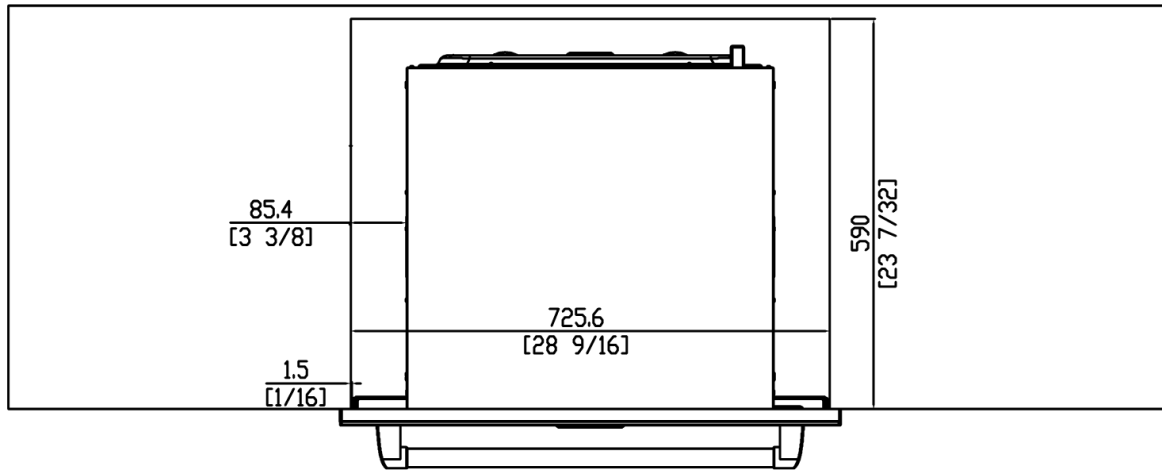
### 2.6 Dimensions

Unit:mm/inch



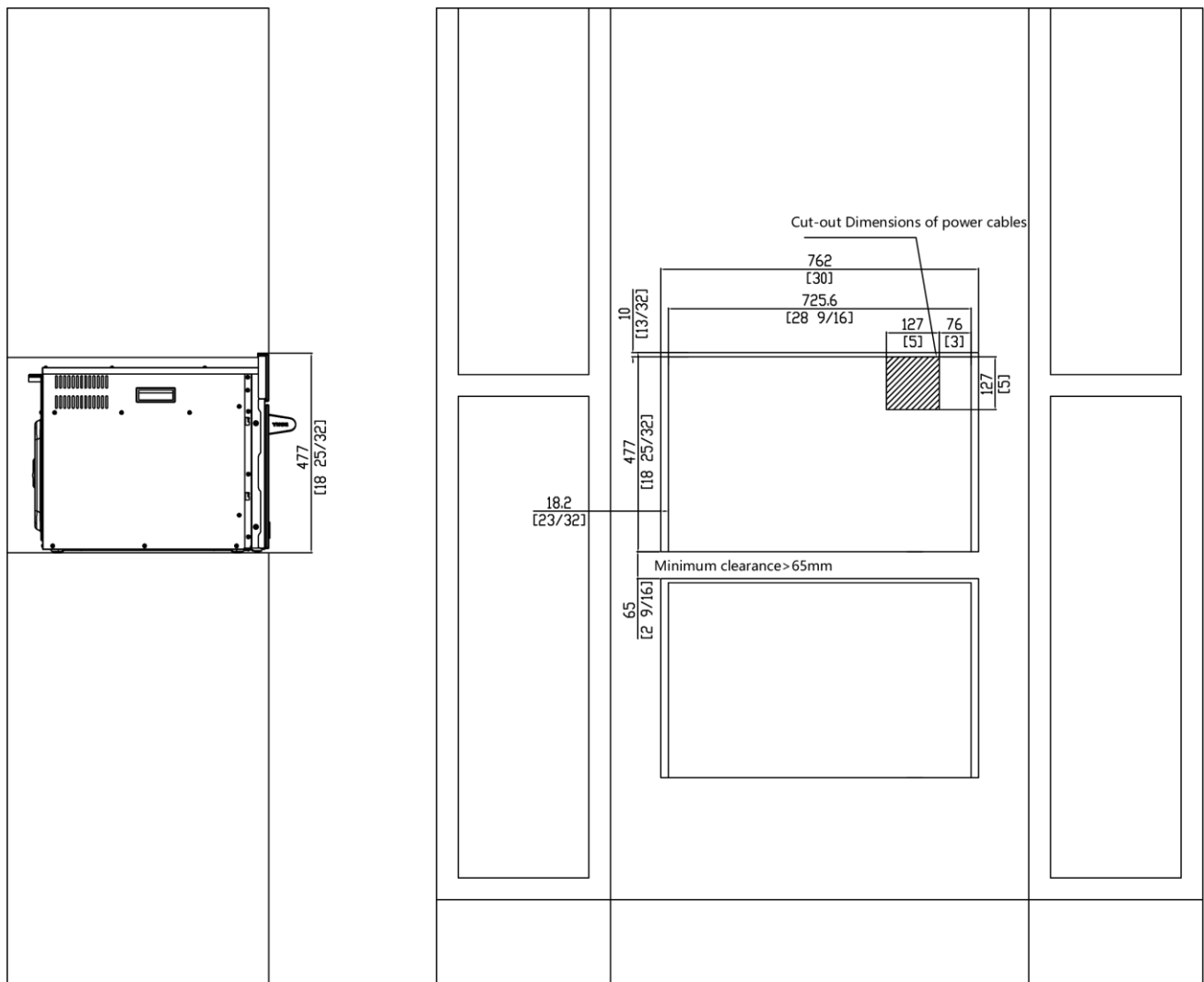
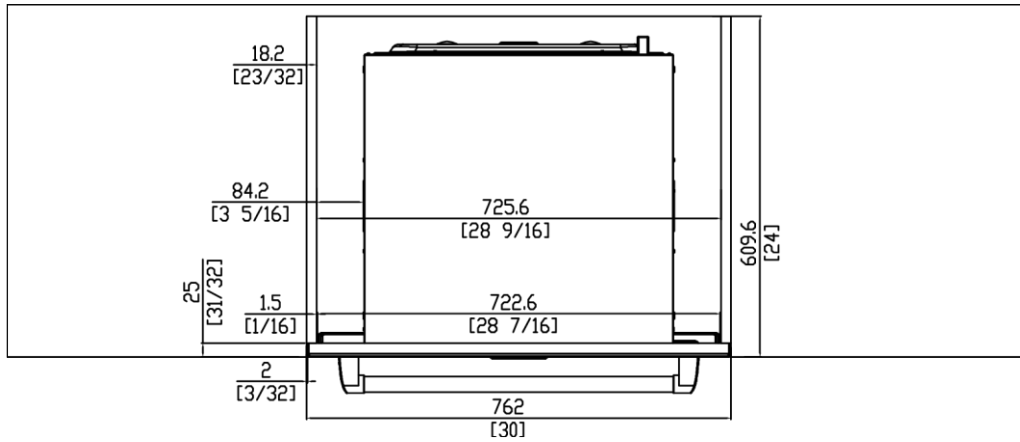
## 2. PRODUCT INSTALLATION

### 2.7 Standard Installation-1: (socket installed outside the cabinet)



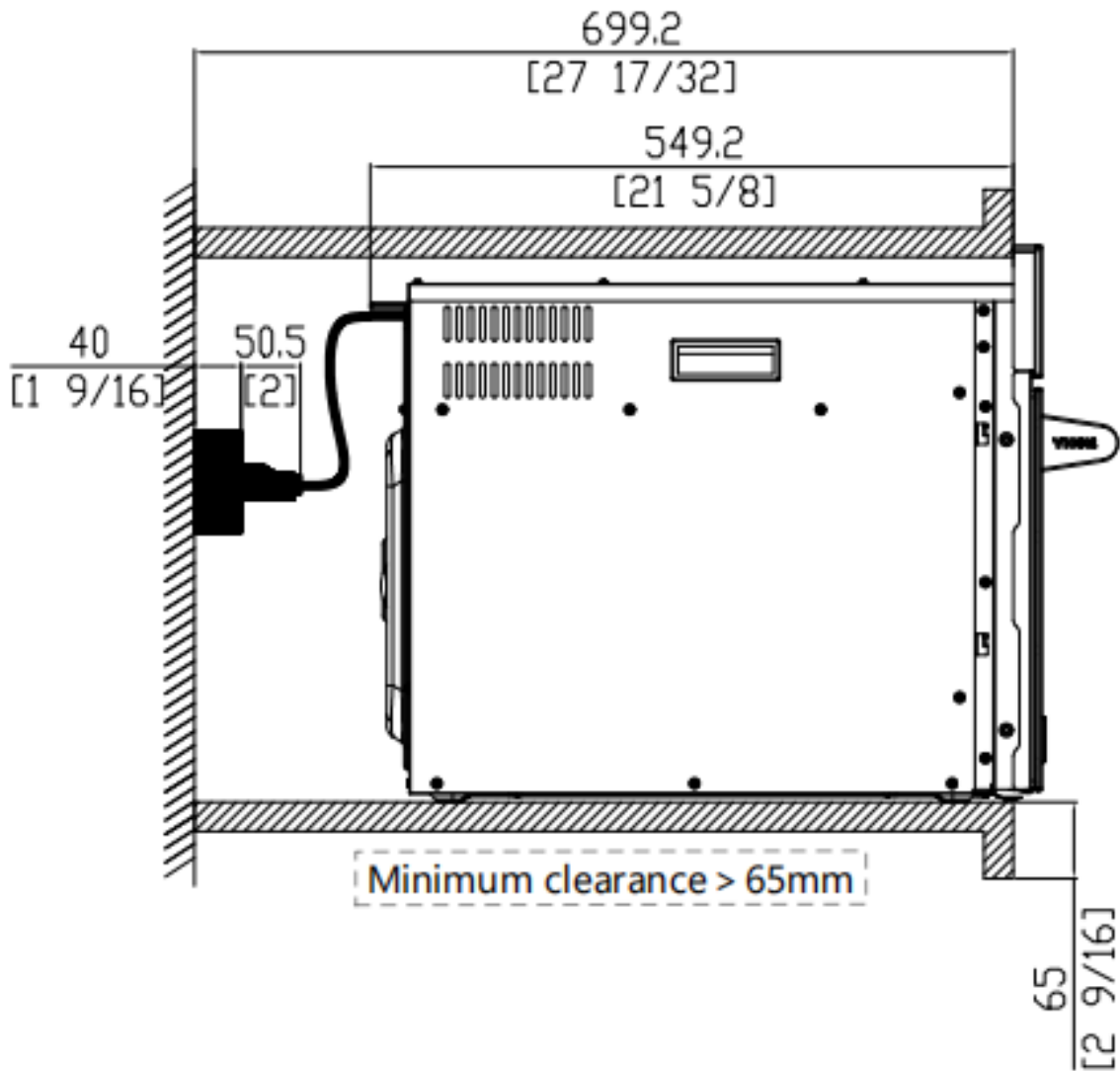
## 2. PRODUCT INSTALLATION

### 2.8 Flush Installation-1: (socket installed outside the cabinet)



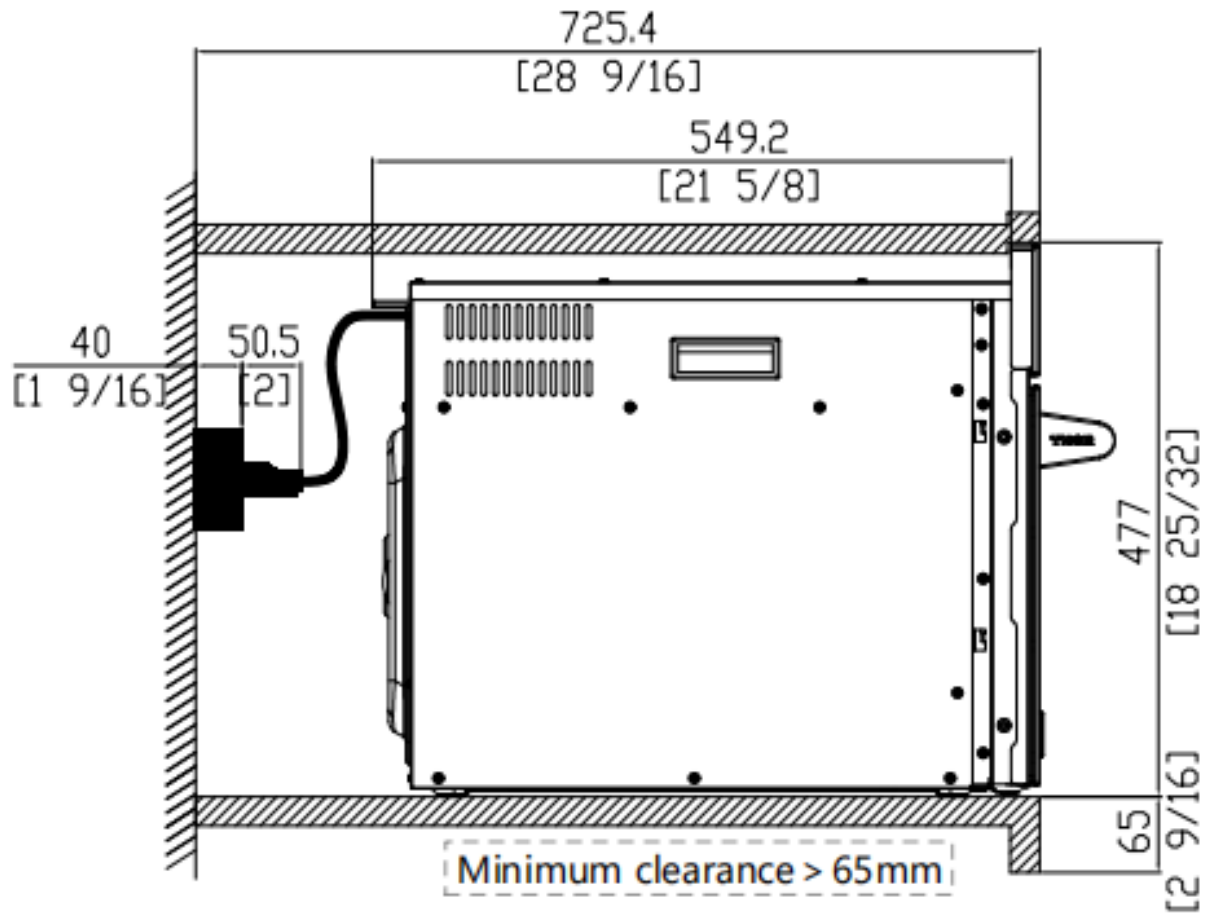
## 2. PRODUCT INSTALLATION

### 2.9 Standard Installation-2: (socket installed inside the cabinet)



## 2. PRODUCT INSTALLATION

### 2.10 Flush Installation-2: (socket installed inside the cabinet)



## 2. PRODUCT INSTALLATION

### 2.11 Ventilated Cabinet

- This appliance is only intended to be fully fitted in a kitchen. This appliance is not designed to be used as a tabletop appliance or inside a cupboard.
- The fitted cabinet must not have a back wall behind the appliance.
- A gap of at least 1 3/4" must be maintained between the wall and the base or back panel of the unit above.
- The fitted cabinet must have a ventilation opening of 38 3/4 in<sup>2</sup> in the base. To achieve this, cut back the base panel or fit a ventilation grill.
- Ventilation slots and intakes must not be covered.
- The safe operation of this appliance can only be guaranteed if it has been installed in accordance with these installation instructions.
- The units into which the appliance is fitted must be heat-resistant up to 194. F.
- Note: There should be a minimum 1/16" gap above the oven.
- Note: The vent should not be directly against the enclosed space, such as ceiling mezzanine, sound insulation wall mezzanine.
- Carefully push the microwave into the cabinetry, making sure that it is in the center.
- Do not kink the electrical cable.
- Open the door and fasten the microwave with the screws that were supplied.



**WARNING:** The gap between the worktop and the appliance must not be closed by additional battens.

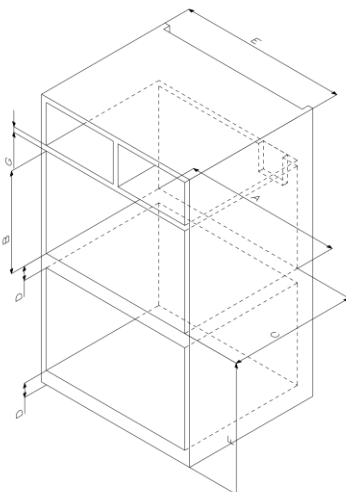
### 2.12 Mount to Cabinet

**NOTE:** The appliance is heavy. It is advisable to install it with a second person.

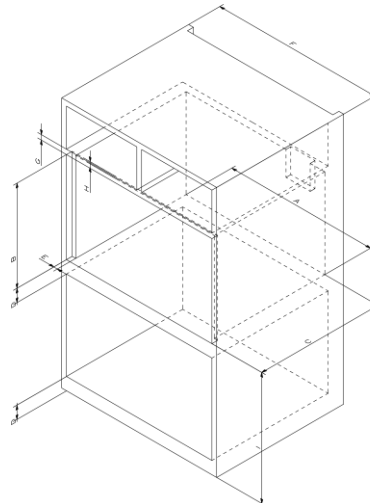


**NOTICE:** Before installing the appliance, be sure to verify the cabinet dimensions and electrical connections.

1. Fully insert the appliance and center it. Do not kink the electrical cable.
2. Screw the appliance into pre-drilled holes in the cabinetry.



A: 28 9/16" (725.6mm)  
B: 18 5/16" (465.1mm)  
C: 23 7/32" (590mm)  
D: 2 9/16" (65mm)  
E: 30 17/32" (775.6mm)  
F: 23 7/16" (595.1mm)  
G: 1" (25mm)



A: 28 9/16" (725.6mm)  
B: 18 25/32" (477mm)  
C: 24" (609.6mm)  
D: 2 9/16" (65mm)  
E: 23/32" (18.2mm)  
F: 32" (813mm)  
G: 1" (25mm)  
H: 13/32" (10mm)  
I: 23 7/16" (595.1mm)

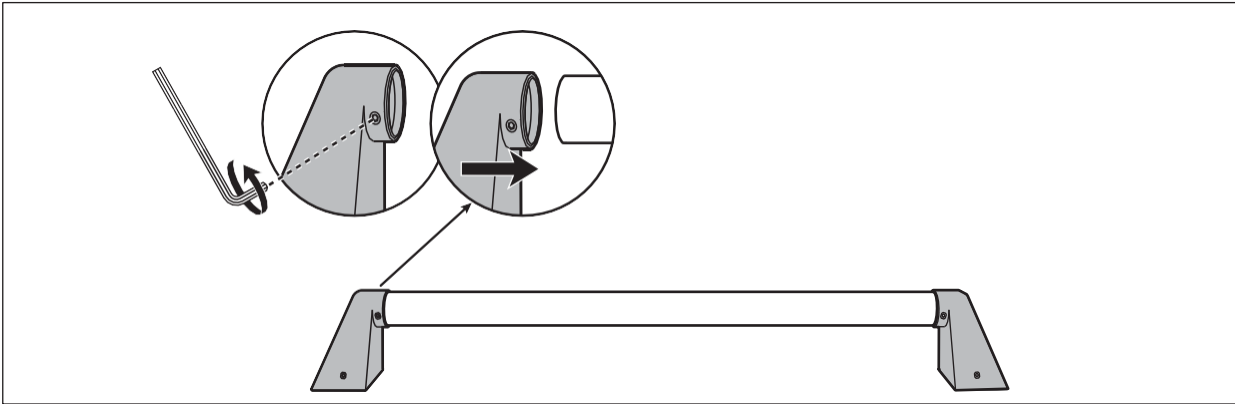
Standard Installation

Flush Installation

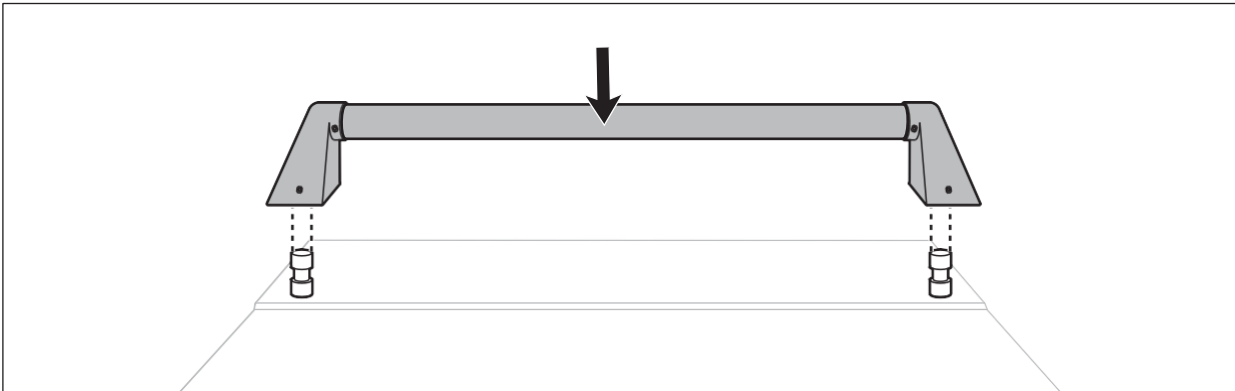
## 2. PRODUCT INSTALLATION

### 2.13 Install the Handle

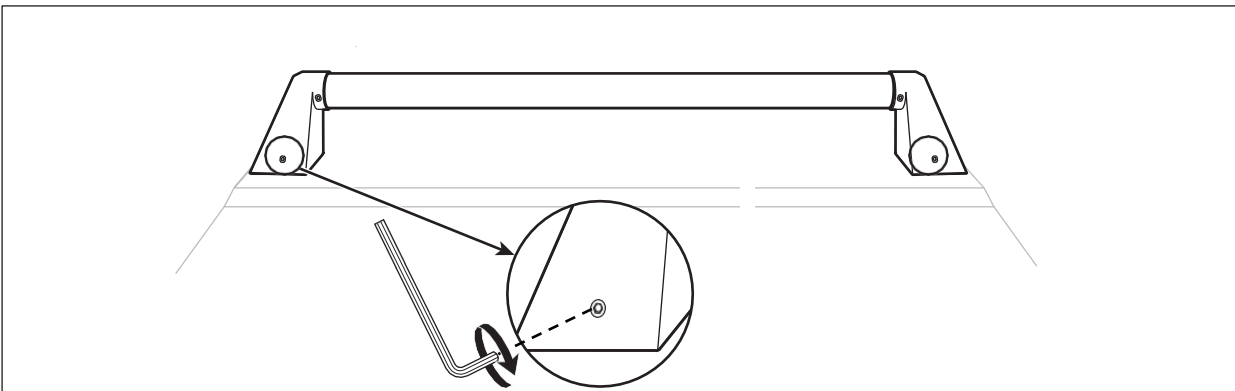
1. Attach door side brackets (2) to both ends of the door handle



2. Place the assembled door handle onto the door pins on the oven door.



3. Tighten the pre-installed screws on the door side brackets with the hex key. Do not overtighten the screws.



## WARRANTY



## Warranty&Service

This appliance has been manufactured by Thor International, 4651 E Airport Drive, California 91761

For Customer Service, please call (877) 288 - 8099

For the most up to date warranty and service policy, please refer to our website

[WWW.THORKITCHEN.COM/WARRANTY-REGISTRATION](http://WWW.THORKITCHEN.COM/WARRANTY-REGISTRATION)

For in-warranty service requests, please visit our website at

[WWW.THORKITCHEN.COM/SERVICE](http://WWW.THORKITCHEN.COM/SERVICE)

**Please Note:** You must provide proof of purchase or installation date for any in-warranty service requests

# WELCOME TO THE CLUB

You chose THOR Kitchen to enhance your culinary journey and we're stoked to have you in the club. Think of it as a secret society of really savvy people, such as yourself, choosing professional power and performance at an affordable price.



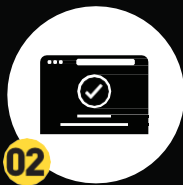
Register your product by following the steps below.

## WARRANTY REGISTRATION



01

Scan the QR code or visit  
[thorkitchen.com/warranty](http://thorkitchen.com/warranty)



02

Input your product info  
and select register



03

You're done.  
Let's get cook in'.

### WARRANTY



### NEED PARTS?

