



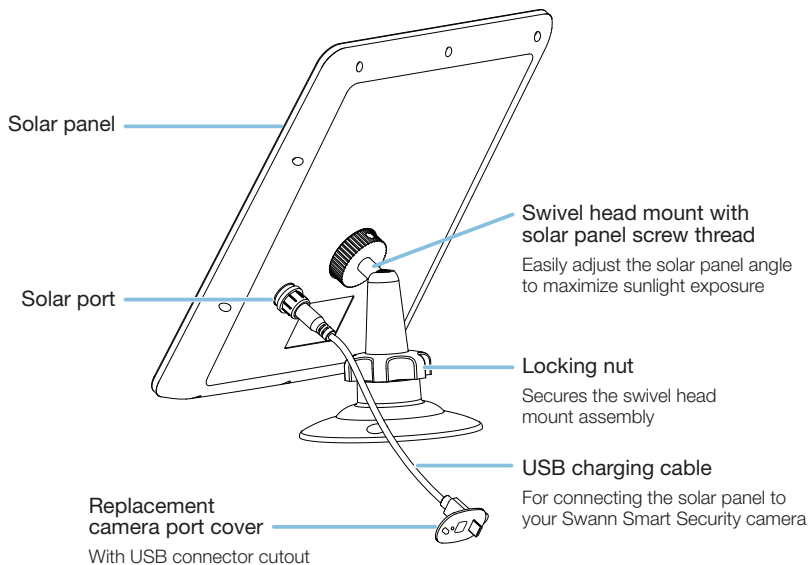
ENGLISH

# Solar Panel

For Swann Smart Security Camera

INSTRUCTION MANUAL

# Overview



# Before you begin

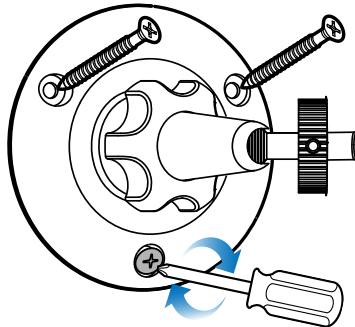
- The solar panel requires full, direct sunlight to charge your camera. Grey skies, rainy days, and other inclement weather conditions may hinder the ability of the solar panel to generate power.
- For best results, the solar panel should be tilted towards the sun. The optimum angle varies throughout the year, depending on the seasons and your location. As a general rule, the solar panel should be facing the equator (i.e. in the northern hemisphere, solar panel faces south; in the southern hemisphere, solar panel faces north).
- Preferably mount the solar panel somewhere that receives plenty of sunlight, between 10am and 3pm, to fully sustain your camera's power needs all year round. Avoid placing in a shady area. Shading from trees and buildings will substantially reduce the output of the solar panel.
- The solar panel is designed to provide a "trickle charge," topping up and maintaining the camera's battery charge level based upon the amount of sunlight received daily. It is not intended to power a flat camera or to fully charge a camera from a low battery state. We recommend fully charging your camera via your regular USB charger before attaching to the solar panel.
- Periodically clean the solar panel with a soft cloth and warm water. Keep the solar panel surface clear of leaves and debris for optimum performance.

# Installing the Solar Panel

1. Attach the mounting bracket to a solid surface with the supplied screws. Make sure to allow enough charging cable to reach your camera from the mounting location of the solar panel.

**If mounting to a wooden surface**, screw the mounting bracket directly to the surface.

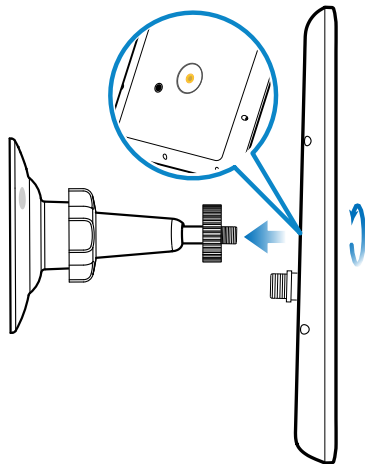
**If mounting to a masonry surface (bricks, concrete, or stucco)**, drill three holes using a 8mm(1/8") drill bit and insert the supplied wall plugs into holes. Then secure the mounting bracket to the surface with supplied screws.



# Installing the Solar Panel

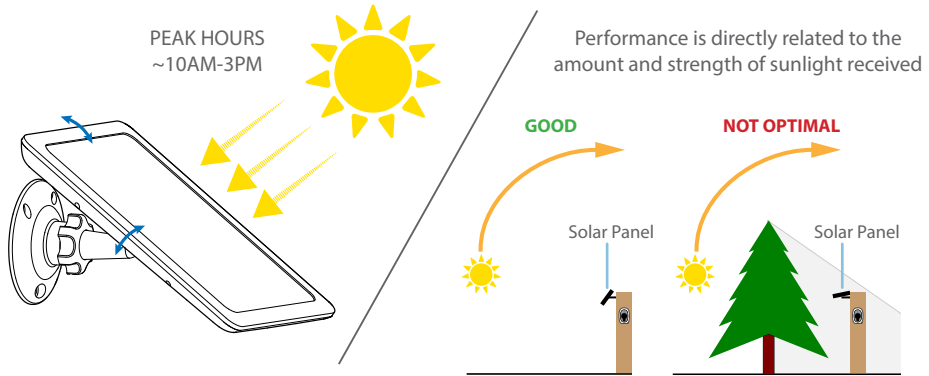
2. Attach the solar panel to the mounting bracket.



Align the solar panel with the threaded screw on the swivel head mount, and then screw in the solar panel until it is secured tightly.



# Installing the Solar Panel

- The solar panel produces power only when it is exposed to sunlight. To generate the most power and achieve best charging performance, tilt the solar panel towards the sun, away from cover and shade.

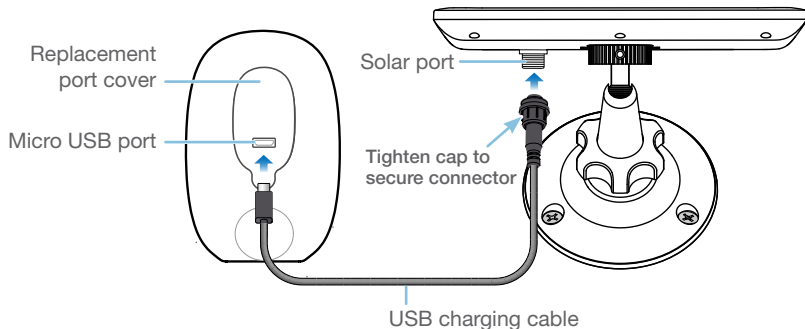


**TIP** You'll see the  battery charging indicator in the app when your camera is actively being charged. If your camera is plugged into the solar panel, but there is no sunlight (for example, when it is night) the  battery charging indicator will not be displayed.

# Installing the Solar Panel

## 4. Connect the solar panel to your camera.

First, pull out the port cover on your camera and replace with the supplied port cover which has a USB connector cutout (a spare port cover is included). Ensure the port cover is sealed properly; it should fit flush without gaps. Then, using the supplied USB charging cable, connect the round end to the solar panel and the micro-USB end to your camera.



## Need Help?

Visit us at [support.swann.com](https://support.swann.com) for more information. You can register your product for dedicated customer support, download guides, ask questions & share ideas in our support community, and more.



Product Registration



Product Guides



Customer Support



Support Community



This marking indicates that this product should not be disposed with other household wastes throughout the EU. To prevent possible harm to the environment or human health from uncontrolled waste disposal, recycle it responsibly to promote the sustainable reuse of material resources. To return your used device, please use the return and collection systems or contact the retailer where the product was purchased. They can take this product for environment safe recycling.