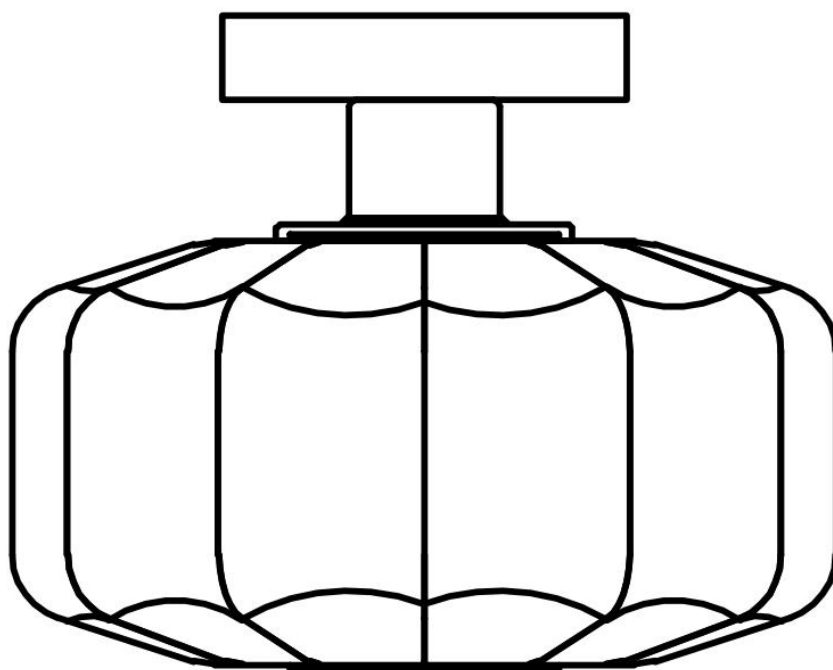




Parrot Uncle

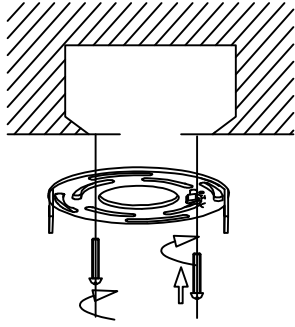
C3015



English / Español / Français

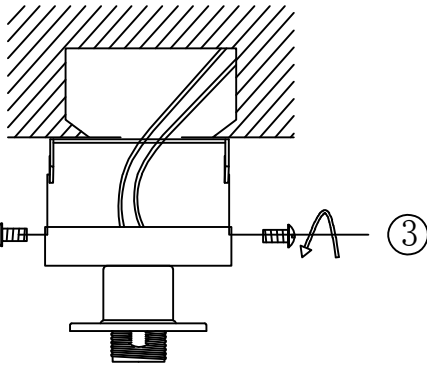
www.parrotuncle.com

C3015



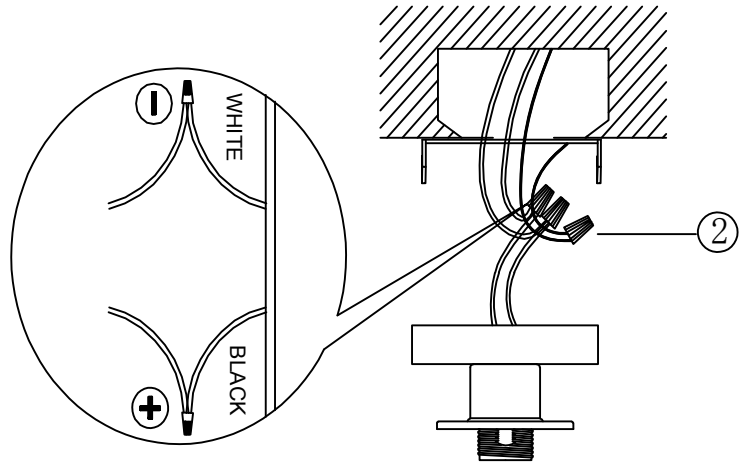
①

Install the bracket on top of the box



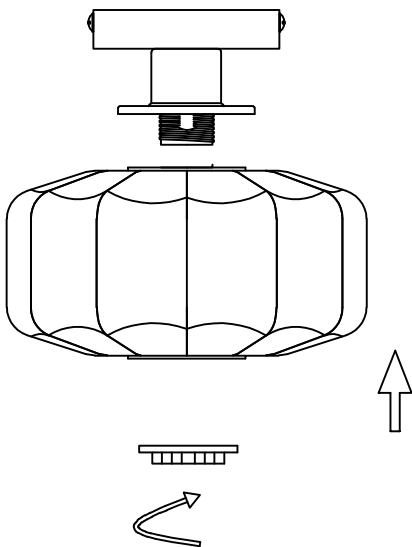
③

Screw the screw into the mounting board, and secure the light to the mounting board.



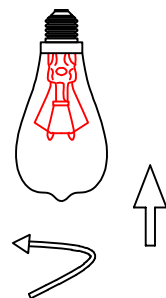
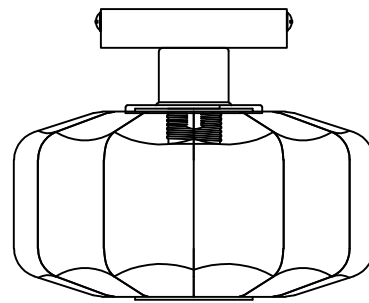
②

The black line is: L
The white line is: N
The yellow and green lines are: grounding wires



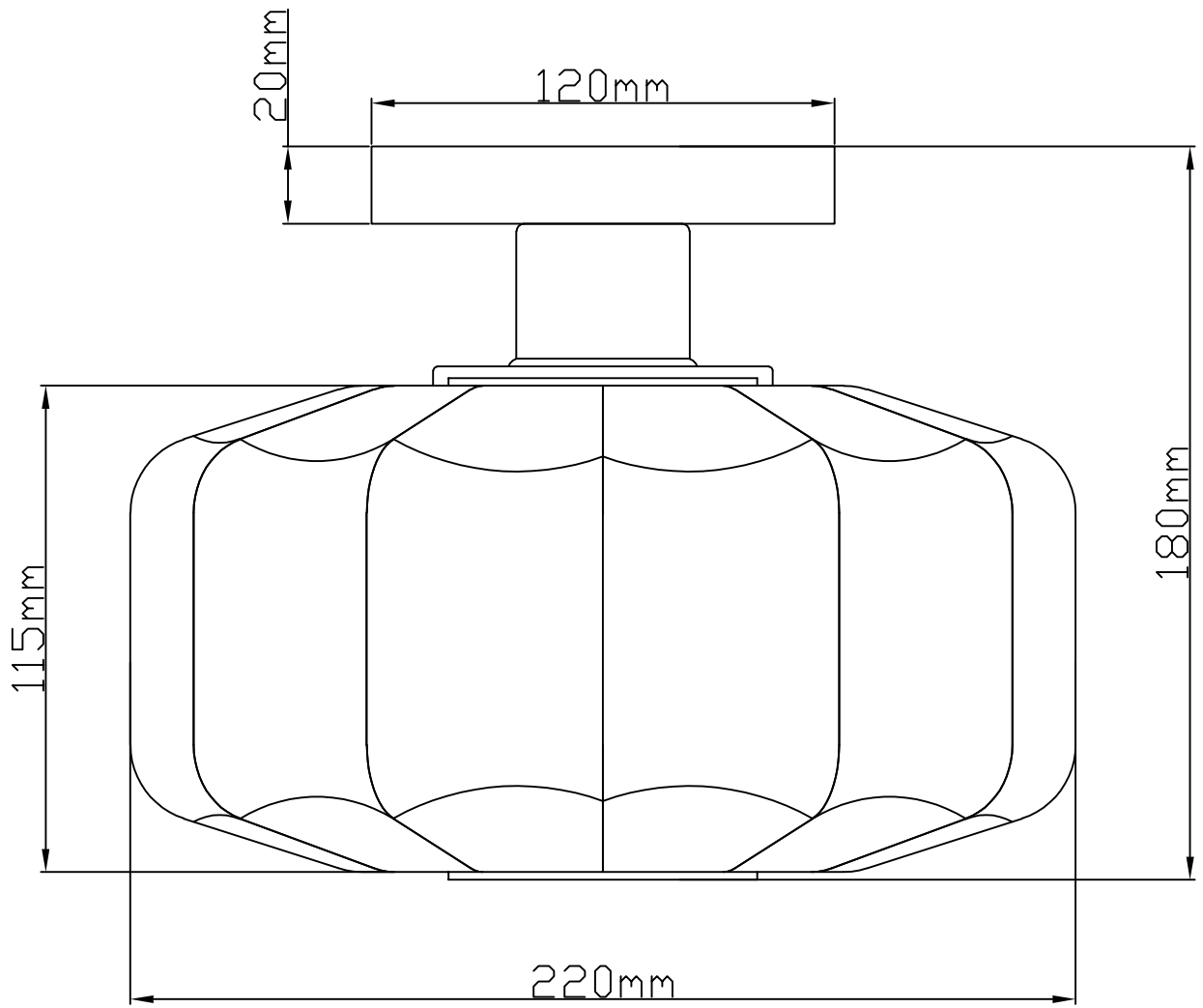
④

Install the lamp cap ring



⑤

Installing bulb





Parrot Uncle

MADE IN CHINA