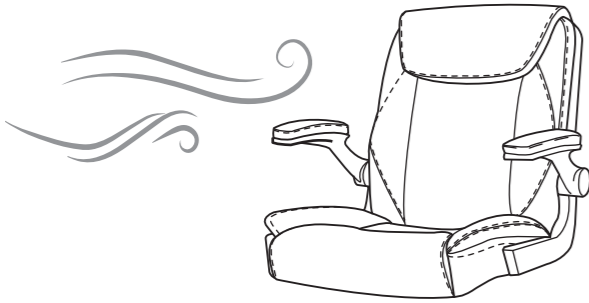


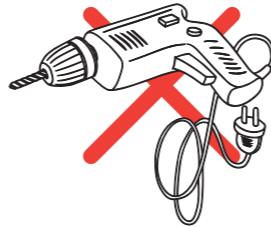
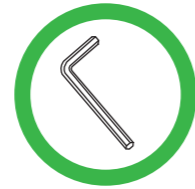
### To deodorize the leather

leave the chair in a well ventilated area for 1-2 days



### For longer use

Re-tighten bolts every 6 months by using the enclosed allen-key.  
\*Using an electric drill can damage the chair.  
Please re-tighten bolts manually.



## • Cautions



Use this product only for seating **one person** at a time



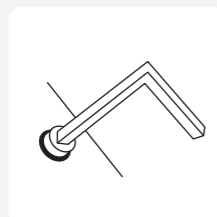
**DO NOT** use the chair unless all bolts, screws and knobs are tight



**DO NOT** use the chair if only components are missing or damaged



**DO NOT** stand on the chair use as a step stool or ladder



Regularly check all bolts, screws, and **knobs are tight**



**Be careful**, some of the part are **heavy** and has **sharped edge**



Failure to follow these warnings may cause **serious injury**

If there are any problems, do not hesitate to e-mail us. [support@neochair.com](mailto:support@neochair.com)

## Enjoy your new favorite chair

Our goal is to create a perfect customer experience.  
Let us know if you have any feedback.  
Your comment motivates us to become a better team.



[support@neochair.com](mailto:support@neochair.com)

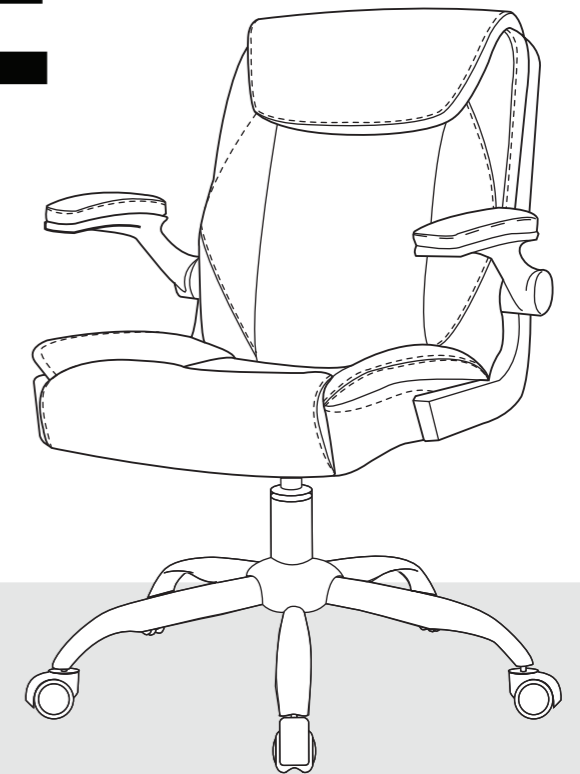
[www.neochair.com](http://www.neochair.com)

[@NEOCHAIR](https://www.facebook.com/NEOCHAIR)

[neochair\\_office](https://www.instagram.com/neochair_office)

# PAC-E

## ASSEMBLY INSTRUCTION



### Contents

- Instructions
- User Manual
- Cautions

[support@neochair.com](mailto:support@neochair.com)

[www.neochair.com](http://www.neochair.com)

※Please make sure all the parts are included.

Missing parts? [support@neochair.com](mailto:support@neochair.com)

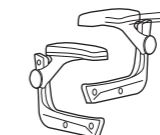
After taking all the parts out, please **zip-up** the back cushion!



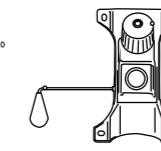
BACK X1



SEAT X1



ARMREST X2



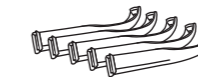
CONTROL MECHANISM X1



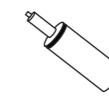
WHEEL X5



CENTRAL BASE X1



BASE LEG X5



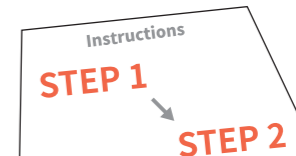
GAS LIFT CYLINDER X1

- (A) ARMREST X8
- (B) TILT X4
- (C) TILT WASHER X4
- (D) BASE X10
- (E) BOLT CAP X8
- (F) ALLEN KEY X1

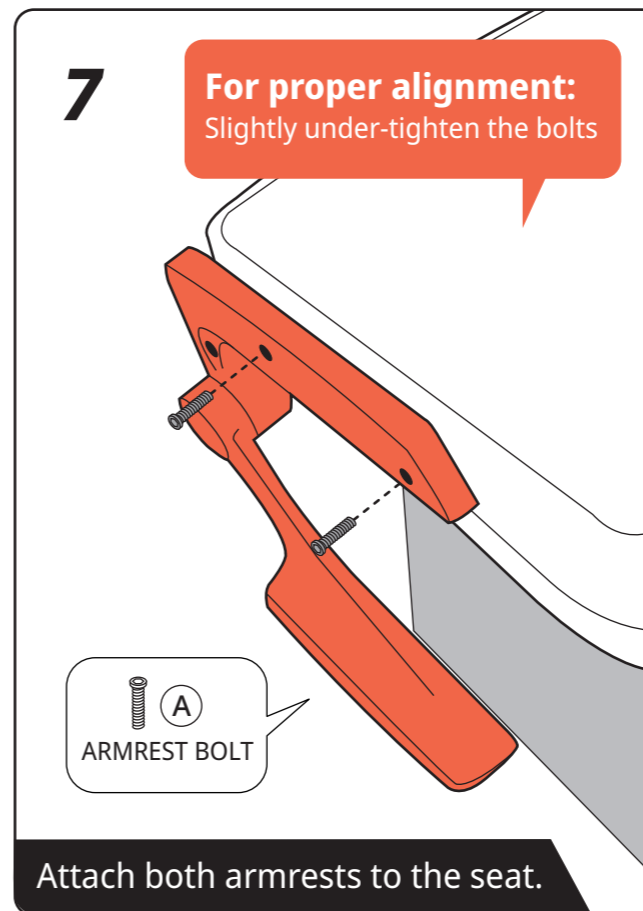
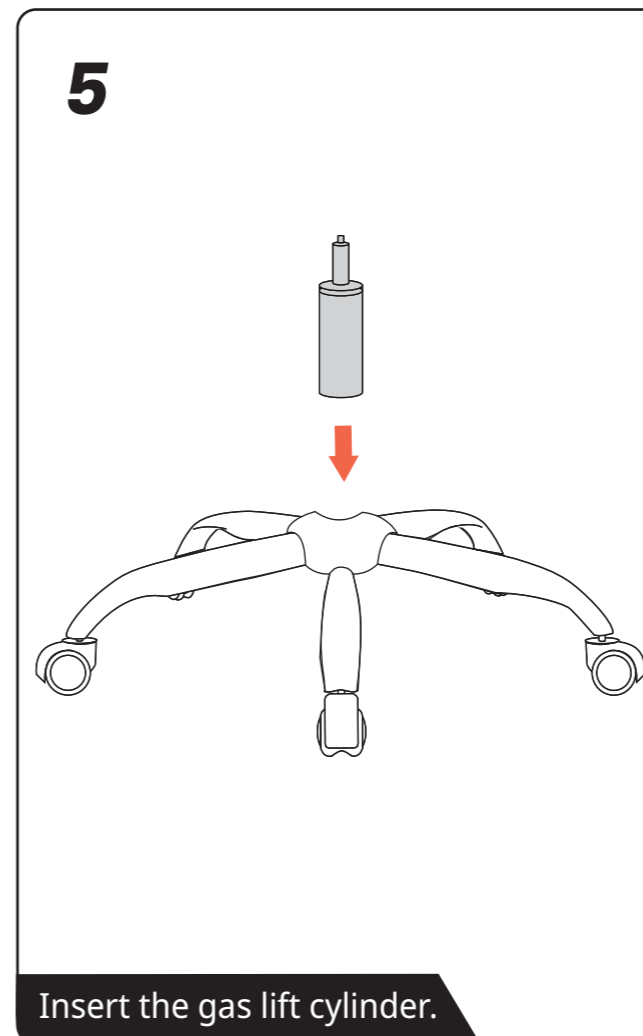
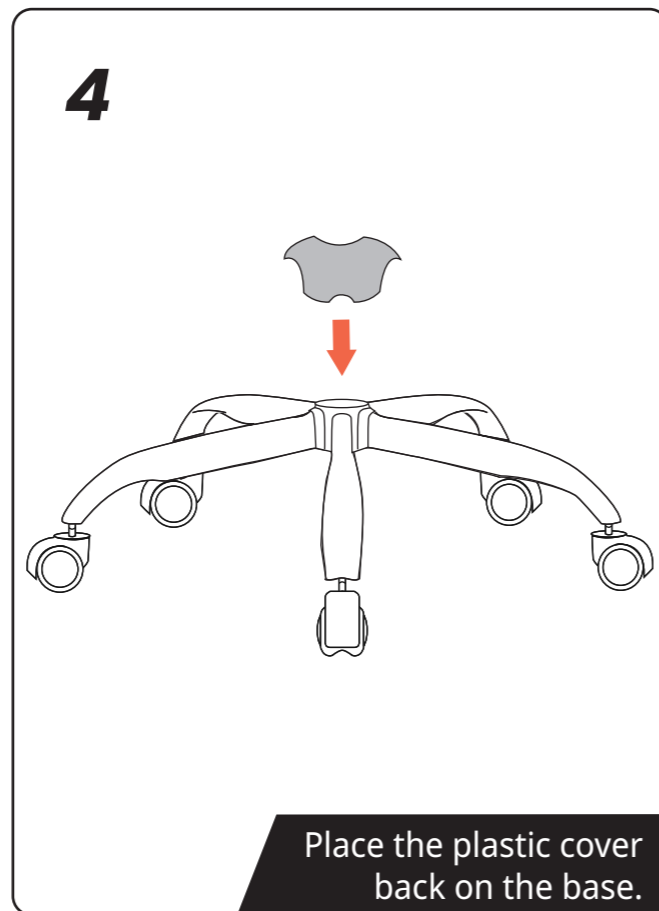
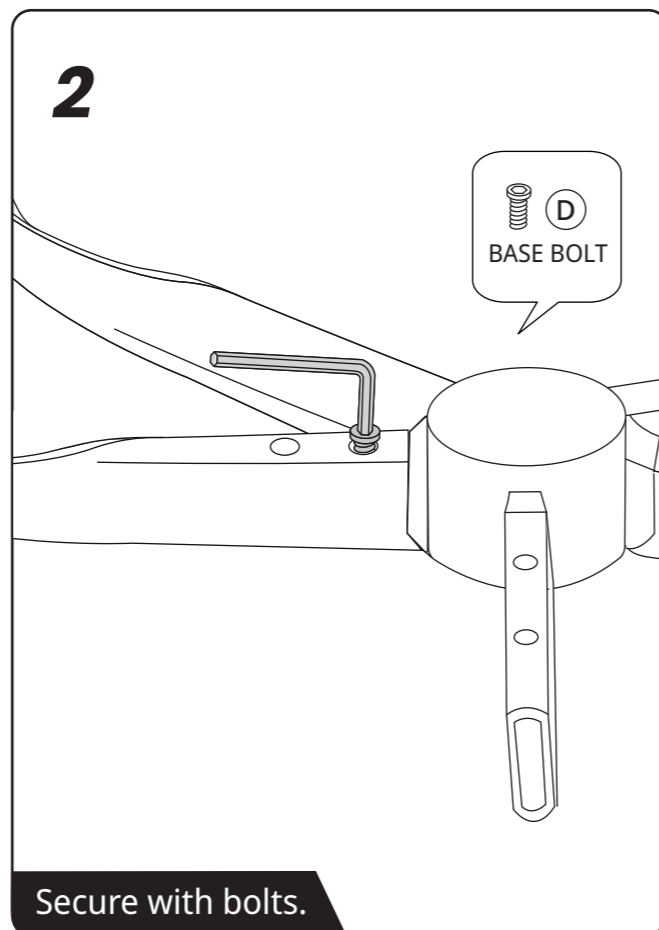
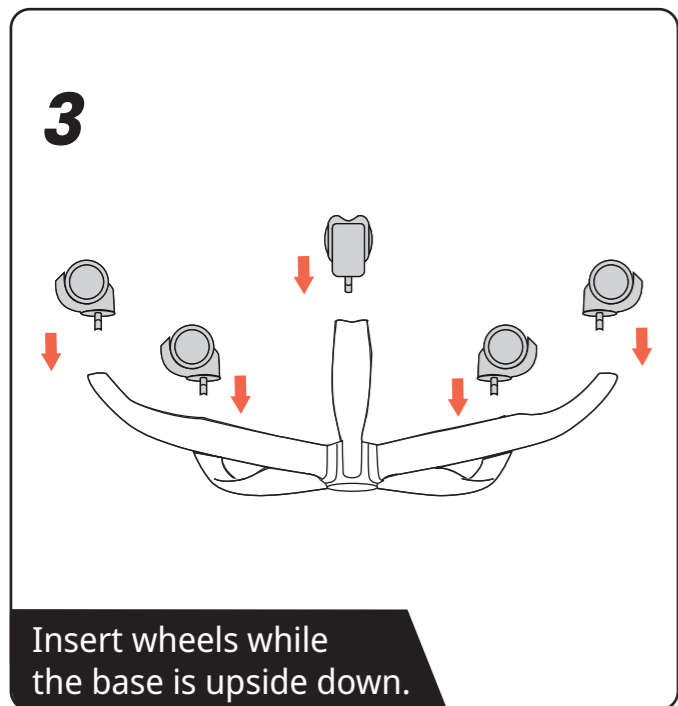
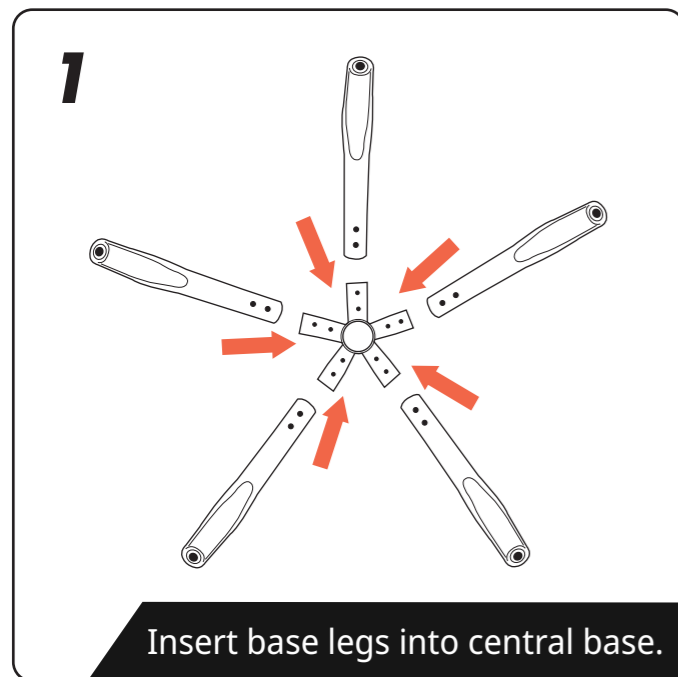
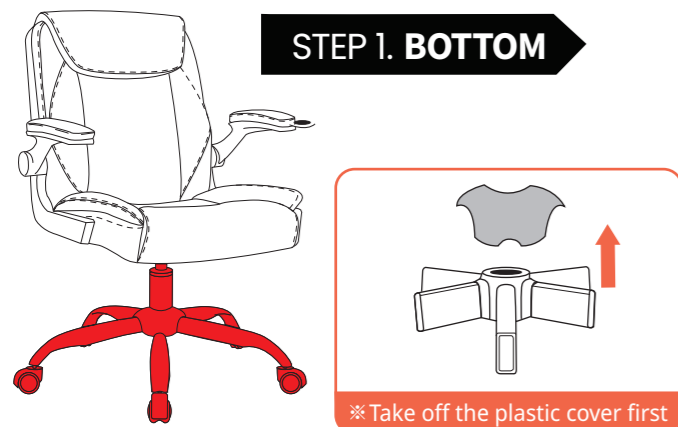
Read the instructions carefully.



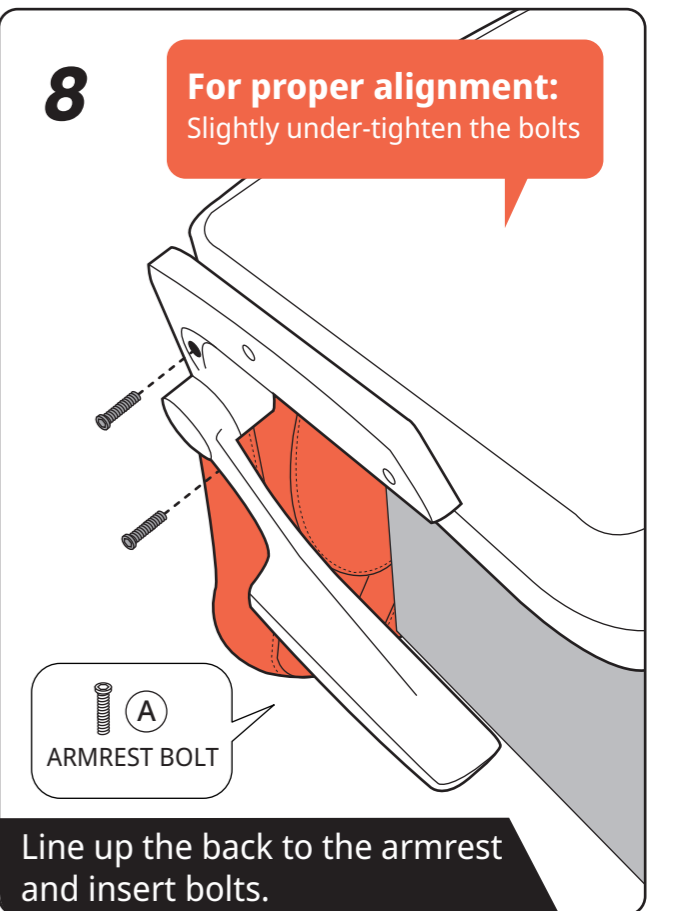
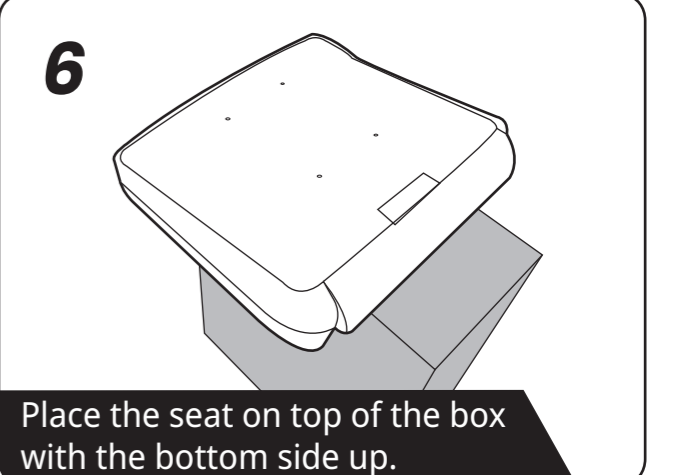
Please follow the assembly steps.



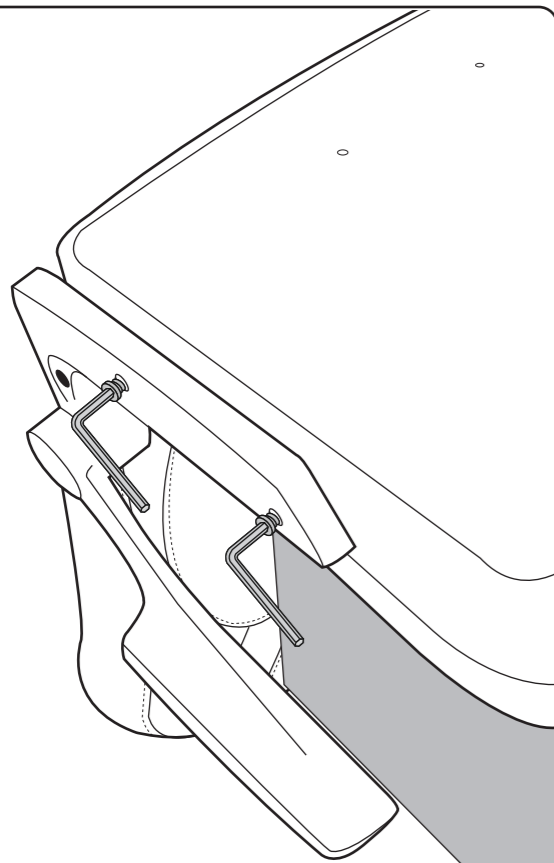
# • Instructions



# • Instructions

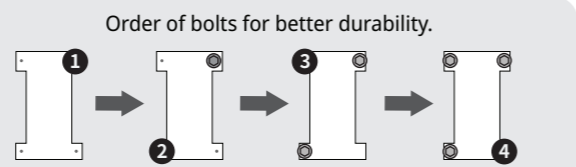
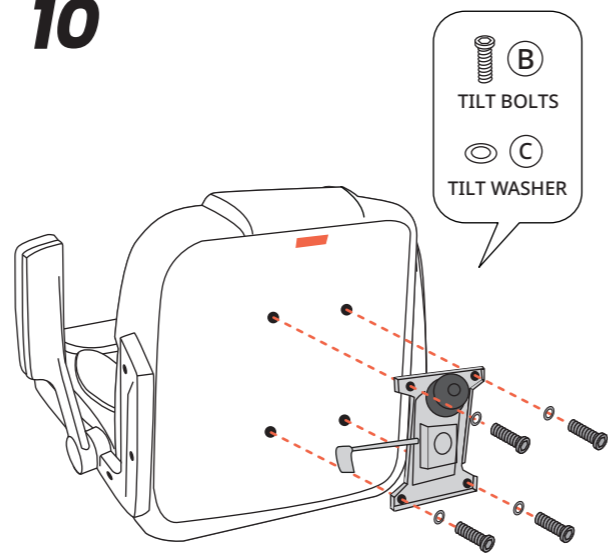


9



Once all the armrest bolts are in place, fully tighten every bolt.

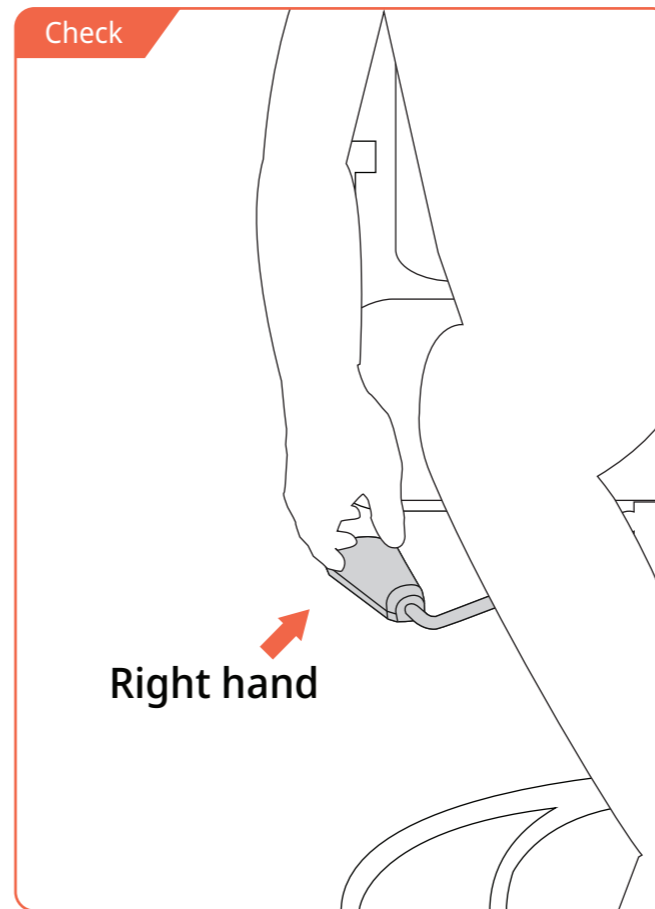
10



Match the front stickers and secure the Control Mechanism to the seat.

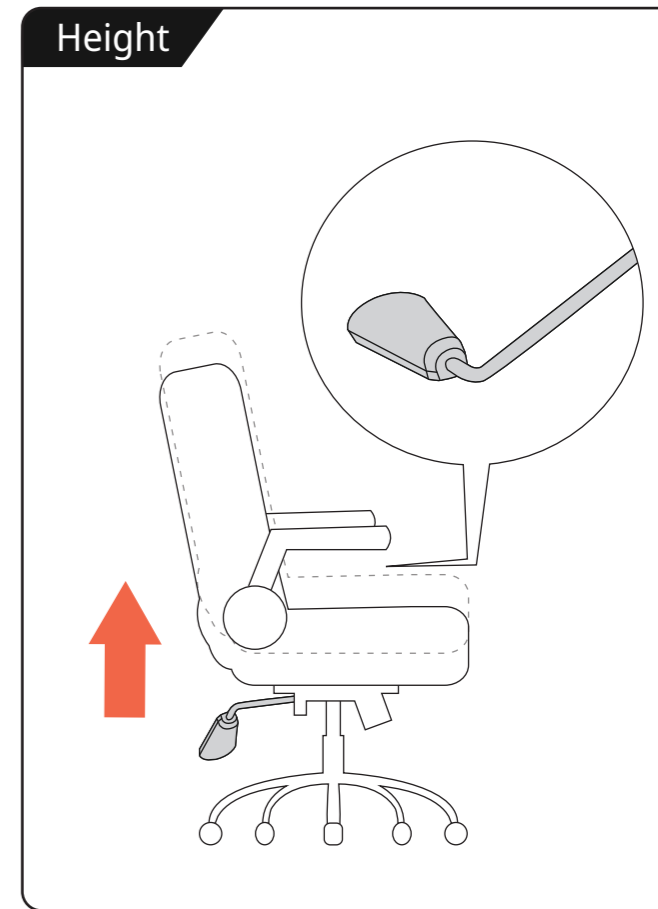
# • User Manual

Check

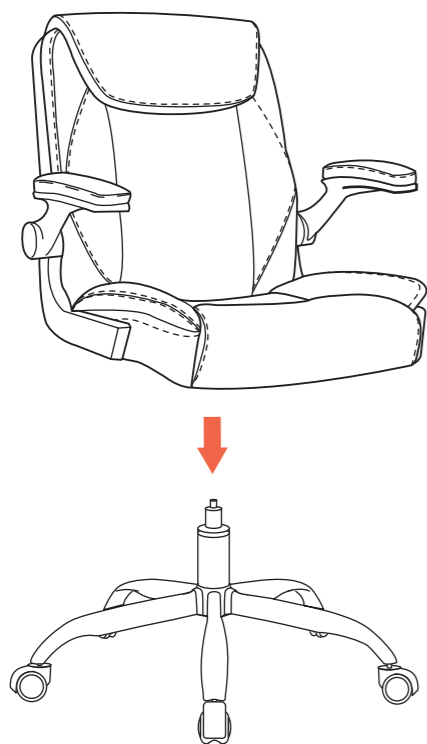


Right hand

Height

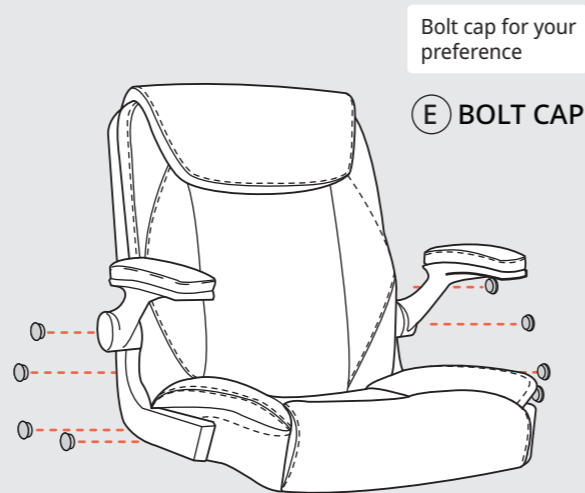


11



Optional insert

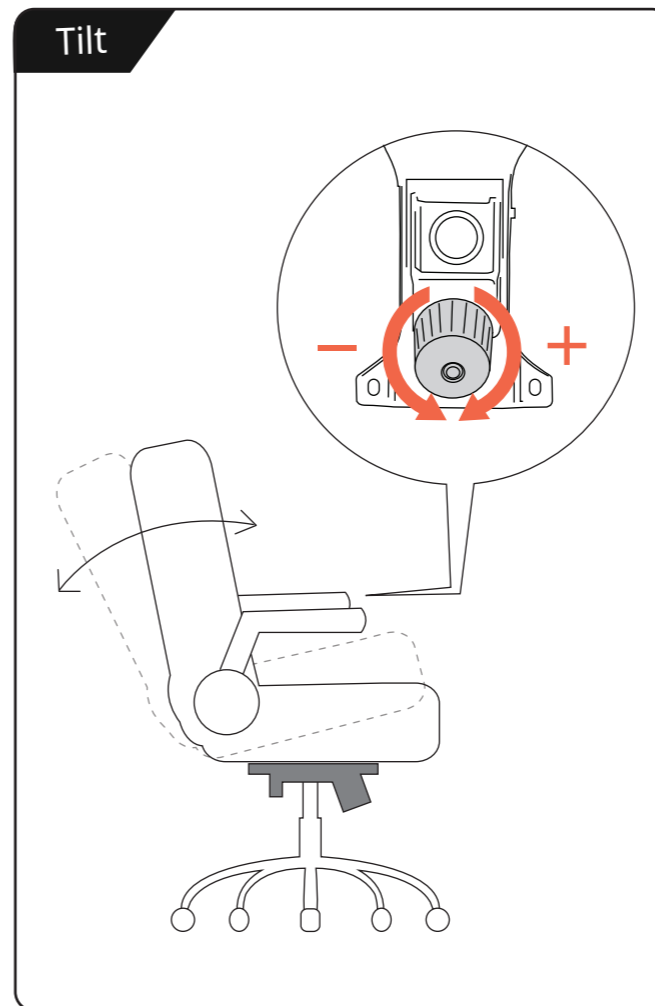
12



Bolt cap for your preference

E BOLT CAP

Tilt



Lock

