

FFET3026T D/S/W/B

DOUBLE WALL OVEN
30" ELECTRIC



AVAILABLE COLORS



Black
Stainless



Stainless



White



Black

PRODUCT DIMENSIONS

Height	50-7/16"
Width	30"
Depth	24-3/4"

MORE EASY-TO-USE FEATURES

Attractive Stainless Steel Exterior¹

Self-Cleaning

Your oven cleans itself — so you don't have to. Self clean options available in 2-, 3- and 4-hour cycles.

Large Capacity

Two large capacity ovens give you room to cook even more at once.

CERTIFICATIONS

Star-K® Certified (*Sabbath Mode*)

¹Select models only.

SIGNATURE FEATURES

Built with American Pride

Designed, engineered and assembled in the U.S.A.

Even Baking Technology

Our Even Baking Technology ensures even baking every time.

Oven Rack Handles

Oven racks are designed with space for you to easily pull out the racks, even when wearing an oven mitt.

Ready-Select® Controls

Easily select options or control cooking temperature with our easy-to-use controls.

FFET3026T D/S/W/B DOUBLE WALL OVEN

30" ELECTRIC

FRIGIDAIRE

FEATURES

Oven Control/Timing System	Ready-Select*
Windows	Large
Exterior Door Finish	Stainless Steel (D/S), Color-Coordinated (W/B)
Handle Design	Stainless Steel (D/S), Color-Coordinated (W/B)
Oven Cleaning System	Self-Clean

OVEN CONTROLS

Bake/Broil	Yes/Variable (400 - 550°F)
Convection Conversion	
Convection Bake/Broil/Roast	
Quick Bake Convection	
Quick Preheat	
My Favorite	
Slow Cook	
Effortless™ Temperature Probe	
Keep Warm	Yes
Add-a-Minute	Yes
Delay Start	Yes
Self-Clean/Clean Options	Yes/2, 3, 4 Hours
Steam Clean	
Delay Clean	Yes
Kitchen Timer	Yes
Timed Cook Option	Yes
Control Lock	Yes
Auto Oven Shut-Off	
Oven Lock-Out	Yes

UPPER OVEN FEATURES

Capacity (Cu.Ft.)	4.6
Convection System	
Oven Light	1 Halogen
Hidden Bake Element	Yes
Rack Configuration	2 Handle Racks
Baking System	Even Baking Technology
Broiling System	Vari-Broil™
Bake/Broil Element (Watts)	2,000/3,400

LOWER OVEN FEATURES

Capacity (Cu.Ft.)	4.6
Convection System	
Oven Light	1 Halogen
Hidden Bake Element	Yes
Rack Configuration	2 Handle Racks
Baking System	Even Baking Technology
Broiling System	Vari-Broil™
Bake/Broil Element (Watts)	2,000/3,400

OPTIONAL ACCESSORIES

3"-High Bottom Trim- Black Stainless (D)/Stainless Steel (S)/White (W)/Black (B)	(D) PN# A10788801 (S) PN# 318903519 (W) PN# 318903516 (B) PN# 318903517
10'-Long Armored Power Cable	PN# 903056-9010

CERTIFICATIONS

Sabbath Mode (Star-K® Certified)	Yes
----------------------------------	-----

SPECIFICATIONS

Oven Interior (H x W x D)	17-1/2" x 24-1/8" x 18-3/4"
Power Supply Connection Location	Left Bottom Rear
Voltage Rating	240V / 208V / 60Hz
Connected Load (kW Rating) @ 240/208 Volts ¹	7.4 / 5.6
Amps @ 240/208 Volts	30.8 / 26.9
Minimum Circuit Required (Amps)	40
Shipping Weight (Approx.)	280 Lbs.

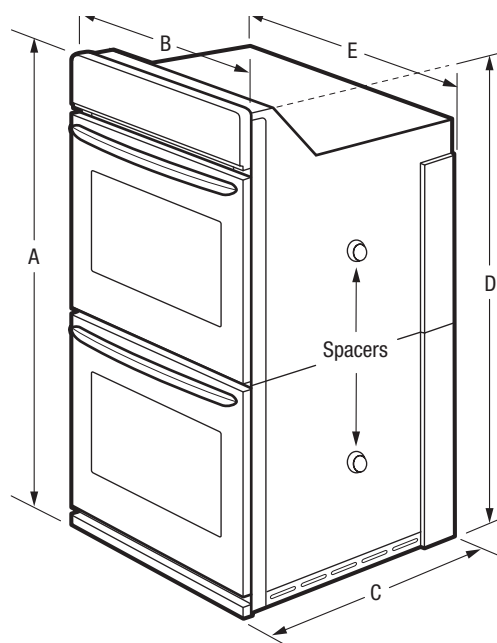
¹Single phase 3- or 4-wire cable, 120/240 or 120/208 Volt, 60 Hertz AC only electrical supply with ground required on separate circuit fused on both sides of line.

PRODUCT DIMENSIONS

A - Height	50-7/16"
B - Width	30"
C - Depth	24-3/4"
D - Height (Wrapper)	48-5/8"
E - Width (Wrapper)	28-1/4"
Depth with Door Open 90°	44-3/4"

CUTOUT DIMENSIONS

Height (Min.)	48-7/8"
Height (Max.)	49-5/8"
Width (Min.)	28-1/2"
Width (Max.)	29"
Depth (Min.)	24"



FRIGIDAIRE

USA • 10200 David Taylor Drive • Charlotte, NC 28262 • 1-800-FRIGIDAIRE • frigidaire.com
CANADA • 5855 Terry Fox Way • Mississauga, ON L5V 3E4 • 1-800-265-8352 • frigidaire.ca



Note: For planning purposes only. Always consult local and national electric, gas and plumbing codes. Refer to Product Installation Guide for detailed installation instructions on the web at frigidaire.com.

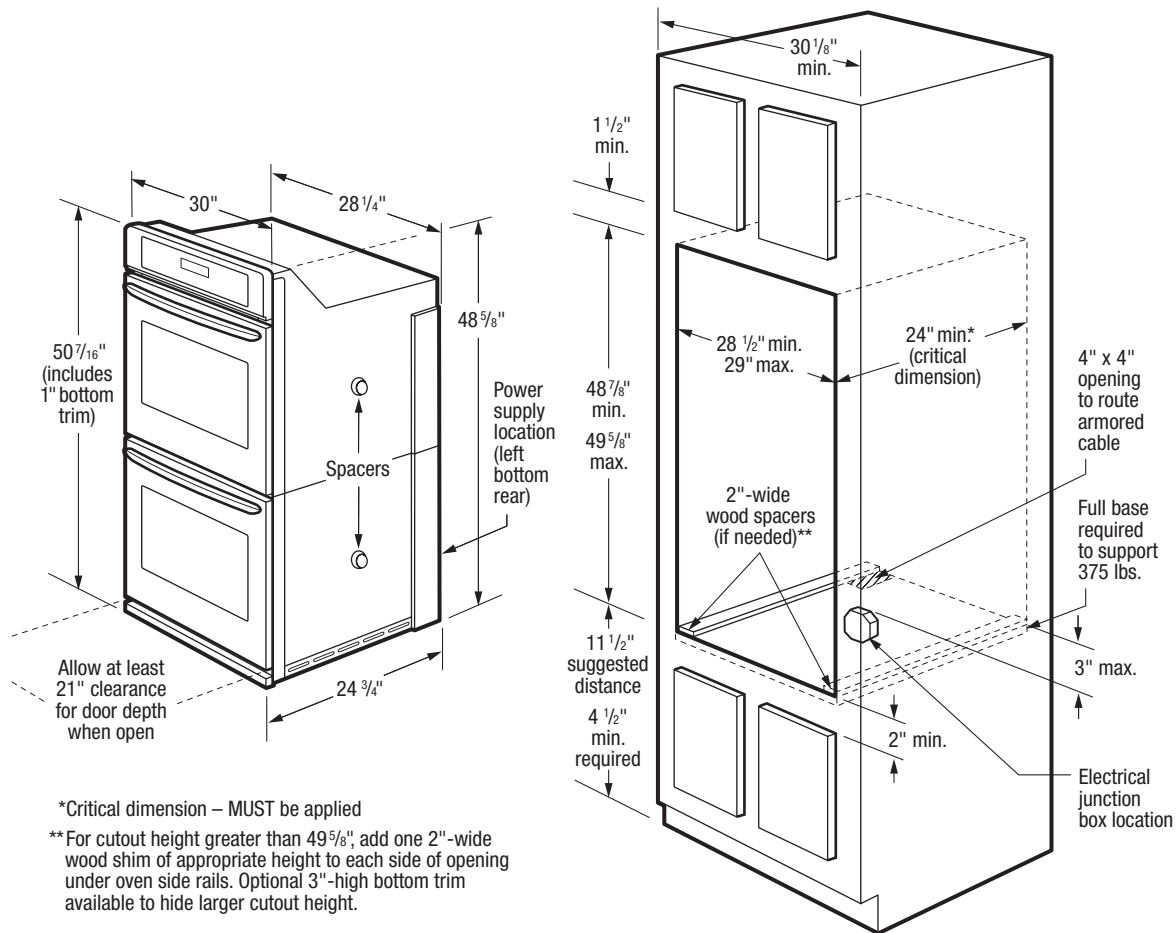
Specifications subject to change. Accessories information available on the web at frigidaire.com

FFET3026T 07/17
© 2017 Electrolux Home Products, Inc.

FFET3026T D/S/W/B DOUBLE WALL OVEN

30" ELECTRIC

FRIGIDAIRE



INSTALLATION SPECIFICATIONS

- Product Shipping Weight (approx.) – 280 Lbs.
- Single phase 3- or 4-wire cable, 120/240 or 120/208 Volt, 60 Hertz AC only electrical supply with ground required on separate circuit fused on both sides of line.
- Connected Load (kW Rating) @ 240/208 Volts = 7.4/5.6kW
- Amps @ 240/208 Volts = 30.8/26.9 Amps
- Recommended Circuit Breaker – 40 Amps
- Always consult local and national electric codes.
- Minimum 21" clearance for oven door depth when open.
- Suggested distance from floor is 11-1/2". Minimum required distance is 4-1/2".
- Minimum 24" deep cutout dimension is critical for proper installation, to ensure that oven's faceplate will fit flush against cabinet front.
- For cutout height greater than 49-5/8", add one 2"-wide wood shim of appropriate height to each side of opening under oven side rails. Optional 3"-high bottom trim available to hide larger cutout height.

- Full oven base of solid plywood or similar material required, capable of supporting 375 Lbs.
- Base must be level and cabinet front must be square.
- Double Wall Oven is NOT approved to be used in stackable or side-by-side installation.

OPTIONAL ACCESSORIES

- 3"-High Black Stainless Steel Bottom Trim – (PN# A10788801).
- 3"-High Stainless Steel Bottom Trim – (PN# 318903519).
- 3"-High White Bottom Trim – (PN# 318903516).
- 3"-High Black Bottom Trim – (PN# 318903517).
- 10'-Long Armored Power Cable – (PN# 903056-9010).



FRIGIDAIRE

USA • 10200 David Taylor Drive • Charlotte, NC 28262 • 1-800-FRIGIDAIRE • frigidaire.com
 CANADA • 5855 Terry Fox Way • Mississauga, ON L5V 3E4 • 1-800-265-8352 • frigidaire.ca

Note: For planning purposes only. Always consult local and national electric, gas and plumbing codes. Refer to Product Installation Guide for detailed installation instructions on the web at frigidaire.com.

Specifications subject to change. Accessories information available on the web at frigidaire.com

FFET3026T 07/17

© 2017 Electrolux Home Products, Inc.