

dacor[®]

Installation instructions

Built-In Refrigerator
DRF42*

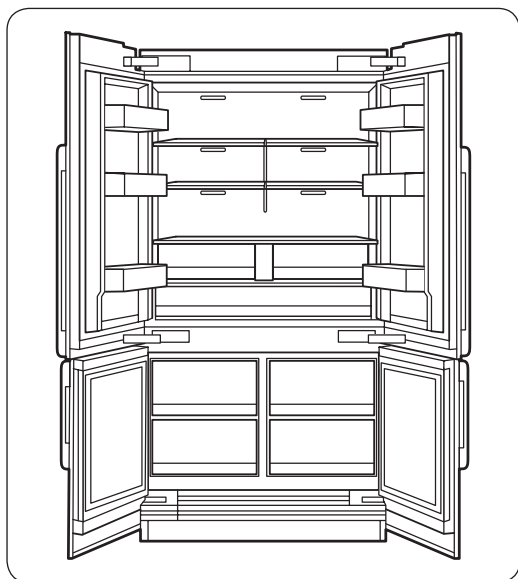
Contents

| | |
|--|-----------|
| Before you begin... | 4 |
| Important | 4 |
| Customer-Service Information | 5 |
| If You Need Help... | 5 |
| Important Safety Instructions | 6 |
| State of California Proposition 65 Warning (US only) | 6 |
| General Safety Precautions | 7 |
| Safety and warning information | 11 |
| Installation safety | 11 |
| Installation Specifications | 13 |
| Product Specifications | 14 |
| Custom Panel Specifications | 15 |
| Handle Specifications | 16 |
| Installation | 18 |
| Installation requirements | 19 |
| Installation preparation | 19 |
| Grounding the refrigerator | 23 |
| Water-pressure requirements | 24 |
| Connecting to the main water supply | 25 |
| Cabinet special requirements | 26 |

| | |
|---|-----------|
| Installation instructions | 27 |
| 1. Uncrating the Refrigerator | 27 |
| 2. Moving the Refrigerator | 28 |
| 3. Installation preparation | 29 |
| 4. Attaching the anti-tip-bracket | 29 |
| 5. Remove Upper & Lower Door Cover, Kickplate | 32 |
| 6. Attaching the Refrigerator's Top Cover | 33 |
| 7. Adjusting the door Opening Angle | 34 |
| 8. Moving the Refrigerator Into Its Enclosure | 35 |
| 9. Leveling the Refrigerator | 37 |
| 10. Securing the Refrigerator | 38 |
| 11. Attaching the Cabinet Trim | 38 |
| 12. Attaching Panel brackets | 39 |
| 13. Hanging a Custom Panel | 42 |
| 14. Aligning the Panel | 43 |
| 15. Attaching the Door's Interior Covers | 46 |
| 16. Connecting the Water Line | 48 |
| 17. Attaching kickplate and Toe kickplate | 49 |
| 18. Attaching the Door Trim | 50 |
| 19. Attaching Trim Top Cover | 51 |
| 20. Removing the Interior packaging | 51 |
| 21. Adjusting the door spring | 51 |
| 22. Cleaning | 52 |
| 23. Installation Checklist | 52 |

Before you begin...

Important



Installer

- To promote safety and minimize problems, read this manual thoroughly before starting the installation. Leave this manual with the user.
- Write the appliance's model/serial numbers in this manual for service/maintenance reference.
- Model/serial numbers are on the data label in the refrigerator compartment.

User

- Keep this manual for personal reference and for that of inspectors, service personnel, etc.

SAVE THESE INSTRUCTIONS

Customer-Service Information

If You Need Help...

If you have questions or problems with installation, contact your Dacor® dealer or the Dacor Customer-Service team. If your Dacor appliance is under warranty, call Dacor Distinctive Service. Have the appliance's model/serial numbers available when you call. (These numbers are on the data label on the right-hand door jamb inside the refrigerator.)

Dacor Distinctive Service (repairs under warranty only)

Phone: (833) 353-5483 (U.S.A. and Canada)

Monday – Friday 5:00 a.m. to 5:00 p.m. Pacific Time

Dacor Customer Service

Phone: (833) 353-5483 ex. 2813 (U.S.A. and Canada)

Monday – Friday 5:00 a.m. to 5:00 p.m. Pacific Time

Web site: www.dacor.com

All specifications are subject to change without notice. Dacor assumes no liability for changes to specifications.

© 2017 Dacor, all rights reserved.

SAVE THESE INSTRUCTIONS

Important Safety Instructions

The Important safety instructions and warnings in these instructions are not meant to cover all possible problems and conditions that can occur.

Use common sense and caution when installing, maintaining, or operating this or any other appliance.

Always contact the Dacor Customer Service Team about problems and conditions that you don't understand. See **Customer-Service Information**.

Safety symbols and labels

These alerts are meant to bring attention to important areas in the manual.

Whenever you see these symbols or labels, read the message carefully before continuing.

DANGER

Immediate hazards that **WILL** result in severe personal injury or death.

WARNING

Hazards or unsafe practices that **COULD** result in severe personal injury or death.

CAUTION

Hazards or unsafe practices that **MIGHT** result in minor personal injury or property damage.

State of California Proposition 65 Warning (US only)

WARNING : This product contains chemicals known to the State of California to cause cancer and birth defects or other reproductive harm.

SAVE THESE INSTRUCTIONS

WARNING - R600a Refrigerant

This appliance contains isobutane refrigerant, R600a, a natural gas with high environmental Compatibility. However it is also flammable. Please adhere to the warnings below :

- When handling, installing and operating the appliance, care should be taken to avoid damage to the refrigerant tubing.
- Servicing shall be performed by manufacture-authorized service personnel and component parts shall be replaced with manufacturer-authorized replacement components.
- Refrigeration products contain refrigerants, which under federal law must be removed prior to product disposal.
- Keep ventilation openings in the appliance enclosures or in the built-in structure clear of obstruction.
- In order to avoid the creation of a flammable gas-air mixture if a leak in the refrigerating circuit occurs, the size of the room in which the appliance may be sited depends on the amount of refrigerant used. The room must be 35.3 ft³ in size for every 8 g of R-600a refrigerant inside the appliance.
- The installation location should not be exposed to direct sunlight and not placed near any electric appliance or heat source, e.g. stove, oven or hob, radiator, etc.
- If you use two products side by side, for safety reason, be sure to use certified products in explosive gas atmospheres.
- Do not use mechanical devices or other means to accelerate the defrosting process.
- Do not damage refrigerant circuit.
- Do not use electrical appliances inside the food storage compartment of the appliance.

General Safety Precautions

DANGER

IMPORTANT:

To prevent child entrapment and suffocation when discarding an old appliance:

- Take off the door(s).
- Leave the racks in place so children cannot easily climb inside.
- Cut the prongs off the power plug and discard them.
- Cut the power cable off and discard it separately from the old appliance.

SAVE THESE INSTRUCTIONS

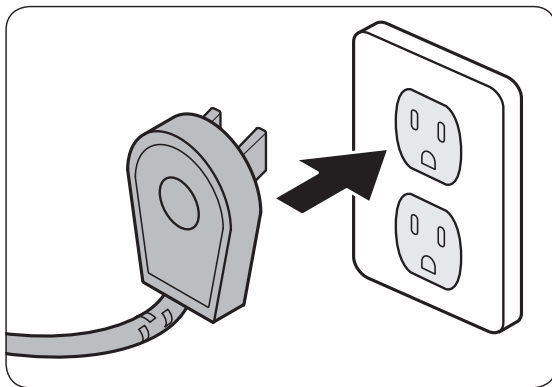
Important Safety Instructions

To avoid the possibility of explosion or fire, do not store or use combustible, flammable or explosive vapors and liquids (such as gasoline) inside or in the vicinity of this or any other appliance. Also keep items that could explode, such as aerosol cans away from cooktop burners, ovens and range hoods. Do not store flammable or explosive materials in adjacent cabinets or areas.

WARNING

IMPORTANT: This appliance is equipped with a three-prong grounding electric plug for protection against possible electric shock hazards. It must be plugged into a dedicated, grounded, electrical outlet. If only a two-prong electrical outlet is available, it is the responsibility of the customer to have it replaced with a dedicated, properly grounded three-prong electrical outlet.

- Do not kink or pinch the power supply cord of the appliance.
- Never unplug the appliance by pulling on the power cord.
- Always grip the plug firmly and pull straight out from the electrical outlet.
- Disconnect this appliance when not in use.
- Do not install, repair, modify, or replace any part of the appliance unless specifically recommended in the literature accompanying it.
- A qualified service technician should perform all other service.



DO NOT cut or remove the third (ground) prong from the power cord.

DO NOT use an adapter plug.

DO NOT use a power cord that is frayed or damaged.

DO NOT connect the appliance to an extension cord. Keep the power cord away from heated surfaces.

NOTE

- Use of an electrical outlet with a ground
- Use of an electrical outlet with a ground fault interrupter (GFI) is not recommended.

WARNING

To reduce the risk of fire, electric shock, serious injury or death when using your appliance, follow basic safety precautions, including the following:

SAVE THESE INSTRUCTIONS

If you receive a damaged product, immediately contact your dealer or builder. Do not install or use a damaged appliance.

Make sure that this appliance has been properly installed according to these installation instructions.

Make sure Install outlet locations according to electric supply location.

Refrigeration equipment and refrigerants must be properly disposed of in a professional and appropriate way, in accordance with the current local regulations and laws which protect the environment. This applies to your old appliance and to your new unit once it has reached the end of its service life. DO NOT dispose of the appliance in a landfill or with urban waste. Contact local waste disposal centers for information on how to dispose of recyclable waste.

Take care when handling, moving, using or disposing of the appliance to avoid damaging the refrigeration system.

Do not install or use outdoors or in wet conditions. This appliance is not designed for installation in a recreational vehicle or boat.

Keep packaging materials away from children. Plastic sheets and bags can cause suffocation.

Connect this appliance to a 115 V, 15 A. circuit that is controlled by a circuit breaker or fuse. This appliance should have its own separate grounded circuit.

Do not kink or pinch the power supply cord of the appliance. Never unplug the appliance by pulling on the power cord. Always grip the plug firmly and pull straight out from the electrical outlet.

Disconnect this appliance when not in use.

Do not install, repair, modify, or replace any part of the appliance unless specifically recommended in the literature accompanying it. A qualified service technician should perform all other service.

Before performing any type of service, switch power off at the circuit breaker panel.

This appliance is not intended for use by persons (including children) with reduced physical, sensory abilities, or lack of experience and knowledge, unless they are properly supervised by a person responsible for their safety. Children must be supervised for their safety.

SAVE THESE INSTRUCTIONS

Important Safety Instructions

Never allow anyone, including children to sit, stand or climb on any part of the appliance, including the door. Doing so may cause damage, serious injury or death.

If the power cord is damaged, it must be replaced by the manufacturer or a qualified service technician in order to avoid a safety hazard. Do not tamper with the controls.

Clean this appliance regularly as instructed in the Care and Cleaning section of the User manual. Clean the ice bucket or drawer regularly.

When the freezer is functioning, do not touch the inner stainless steel surfaces with wet or damp hands, since skin may stick to the very cold surfaces.

Do not use any type of electrical equipment inside the refrigerator or freezer compartments.

Do not obstruct any of the vents or openings on the appliance.

To avoid risk of the appliance tipping over it is mandatory to secure the appliance to the wall by means of the two supplied anti-tip brackets.

Use this appliance only for its intended purpose: the storage of food and beverages . It is not intended for commercial or industrial use.

Be careful when installing electrical component box is damaged or not by the shock departure.

Open and hold the handle when opening and closing the door.

When you open and close the door, be careful not to put your hands in the doorway.

SAVE THESE INSTRUCTIONS

Safety and warning information

Installation safety

Location and installation safety

WARNING

- Before installing the refrigerator, connect it to a power outlet and turn the refrigerator ON to make sure the refrigerator is working.
- Choose a location away from the heat of a heater, boiler, or direct sunlight.
- Install the unit where air flows freely and where the refrigerator is well ventilated.
- Install the unit so that air flows unobstructed through the front air grill. If the air circulation is not ensured, it may interfere with the normal functioning of the product.
- Outside animals (rodents) can chew on the power cord and cause a fire; therefore, install the unit where there is no access to animals.
- If the cabinet is made of soft material (ex: plaster, etc.), it can have a weak structure and be damaged. Therefore, use a cabinet made of sturdy, strong material.
- Install the refrigerator with a team of at least 2 people.
- Refer to the dimensions of the cabinet and prepare the cabinet with good air circulation.
- Use cabinet that will not warp from product heat emissions or humidity from the opening and closing of the refrigerator.

NOTE

This refrigerator is a “built-in” style refrigerator, meaning that the refrigerator requires installation inside a recess in existing kitchen cabinetry.

Before moving the refrigerator, clear the route to the location where it will be installed. Check all product dimensions and the tipping radius with any doorways, hallways, stairs, corners, etc., to ensure a clear passageway.

WARNING



Tip Hazard

This appliance is relatively heavy on the top and prone to tip over when not securely installed.

Keep doors taped closed until refrigerator is in its final position and ready to be secured in place.

Use two or more people to move and install refrigerator.

Failure to do so can result in death or serious injury.

Safety and warning information

 **DANGER**



Explosion Risk

Keep flammable materials and vapors - such as gasoline - away from the refrigerator.
Failure to do so can result in death, explosion, or fire.

Installation Specifications

WARNING

Observe all governing codes and ordinances during planning and installation. Contact your local building department for further information.

WARNING

Electrical and grounding connections must comply with the applicable portions of the national electrical code and/or other local electrical codes.

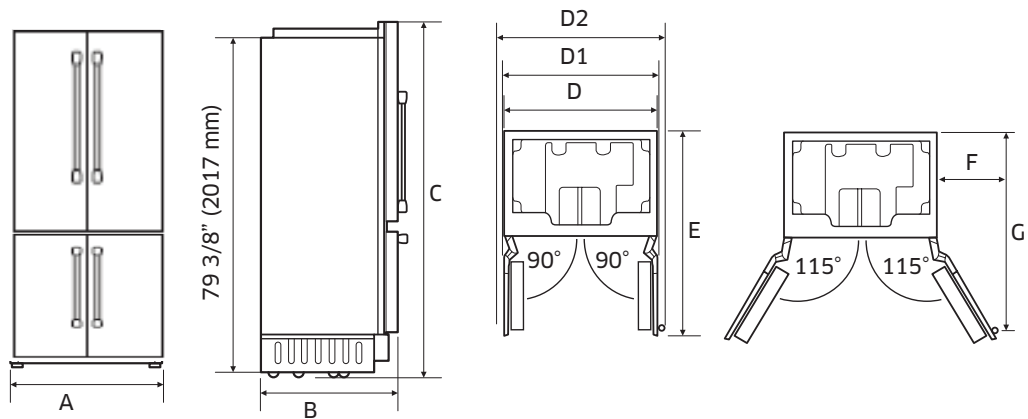
This appliance comes with an electrical cord with a three-prong grounding plug for a 115 Vac, 15 Amp. power supply. Plug it into a 115 Vac, three-prong, grounding electrical outlet only.

Unless a whole house **filtration system** is installed, the provided water filter cartridge, should be installed according to the User manual.

Turn OFF the **ice maker** using the **ICE** key whenever the water supply valve is turned off. The **ICE** key is lit when the ice maker is on.

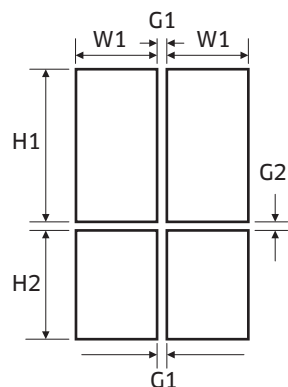
The appliance features a lighting system with high intensity LED lamps. Do not stare into these lamps when they are on to avoid possible eyesight damage.

Product Specifications



| Callout | 42" |
|----------------------------|---------------------|
| A (Width) | 41 3/4" (1060 mm) |
| B (Depth) | 25" (635 mm) |
| C (Height) | 83 3/8" (2118 mm) |
| D | 41 1/4" (1048 mm) |
| D1 (with Panel) | 43 11/16" (1110 mm) |
| D2 (with Modernist Handle) | 47 7/16" (1205 mm) |
| D3 (with Pro Handle) | 48 11/16" (1237 mm) |
| E | 48 1/2" (1232 mm) |
| F | 22 7/16" (570 mm) |
| G | 47 5/8" (1210 mm) |

Custom Panel Specifications



| Callout | 42" |
|-----------------|--------------------|
| W1 | 20 25/32" (528 mm) |
| H1 | 49 3/16" (1249 mm) |
| H2 | 30 9/16" (776 mm) |
| G1 | 5/32" (4 mm) |
| G2 | 5/32" (4 mm) |
| Panel Thickness | 3/4" (19 mm) |

Do not exceed the max load that the custom panel can endure. Before crafting the panel, check the strength of the panel's material and the load of attachments to the panel.

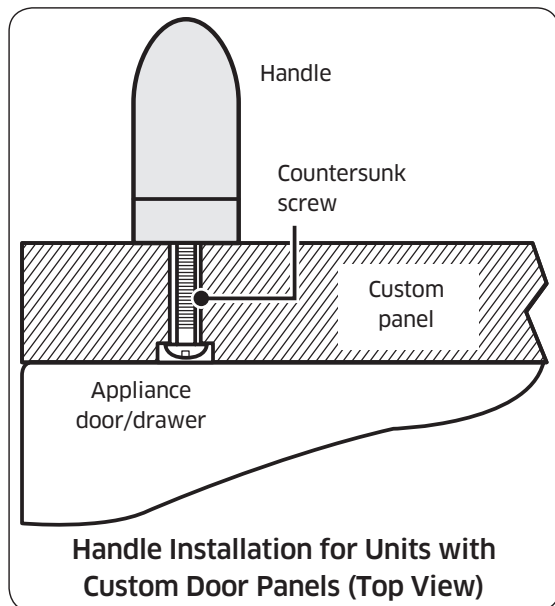
| | 42" |
|-----------------------------|---|
| Custom Panel Maximum Weight | Fridge : 55 lb (25 kg), Freezer : 22 lb (10 kg) |

NOTE

- Standard Custom panel thickness is 3/4" (19 mm).

Product Specifications

Handle Specifications



Before installing the custom panels, you must first install the door/drawer handles. With custom panel models, you have the advantage of being able to select a handle style that meets your own personal taste. Handles are not provided with custom panel models. Selected handle kits are available through your dealer. Dacor does not advise the use of single pull knobs. Most handle kits do not include the necessary mounting screws because screw length varies with panel thickness. The panel craftsman needs to select and purchase the required fasteners for the installation. The screw heads must be countersunk into the panel to prevent interference during depth adjustment.

⚠ CAUTION

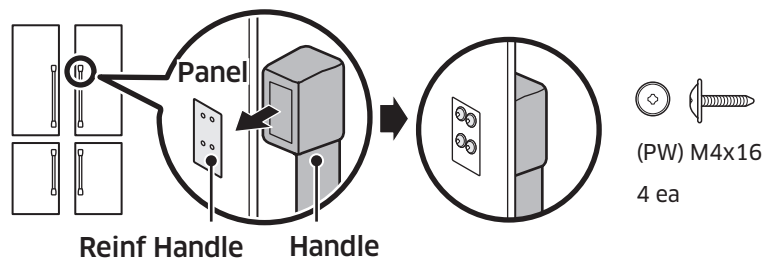
We recommend installing a handle for a custom panel. Without the handle, you may catch your fingers in the door when opening or closing the door.

Attach the handle

WARNING

Follow these instructions to attach the handle. Otherwise, the handle may be damaged or malfunction.

1. Put the reinforced handle support on the rear of the door panel, and then put the handle on the front of the door panel.
2. As shown, tighten the 4 screws on each of the upper and the lower sides of the handle. Do not tighten them excessively.



Installation

WARNING

Do not install the appliance:

- outdoors,
- in an environment with dripping water.

Appliance is very heavy :

T 42" approx. 661 lb / 300 kg

Installation room

The appliance should be installed in a dry, ventilated room.

Stable installation

The appliance is very heavy and has a tendency to tilt forwards when the appliance door is opened.

Do not open the door until there is no possibility of the appliance tipping over.

The most secure way to install the appliance is to use the supplied anti-tipping devices.

Floor

The subsurface must be level and even in order to ensure that the appliance is securely installed and works correctly.

The subsurface must be made from a hard, non-flexible material.

Aligning the appliance

To ensure that the appliance functions correctly, it must be levelled properly.

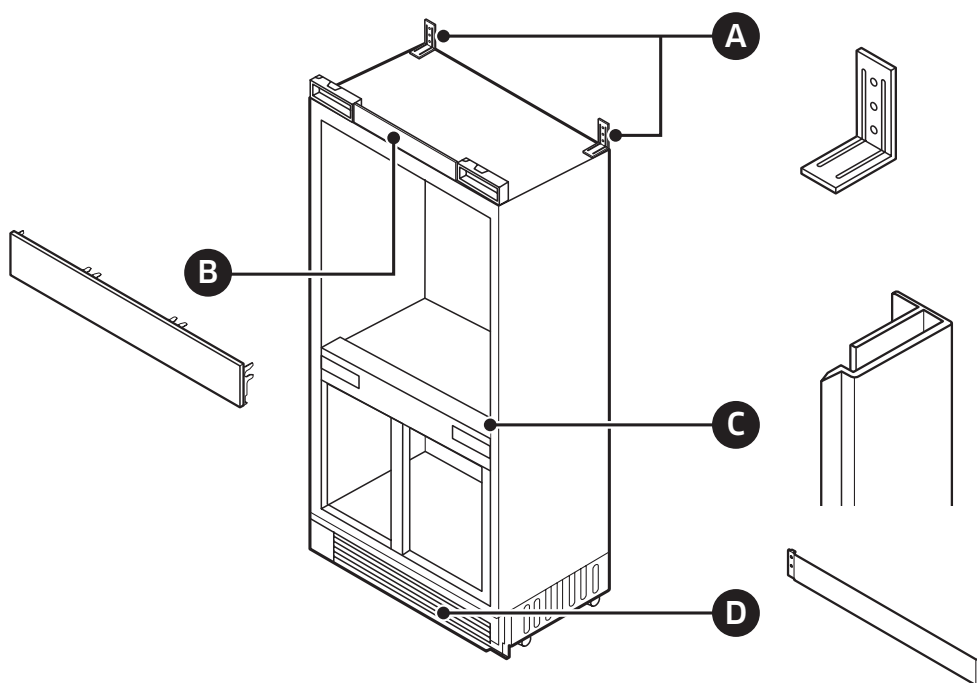
If the appliance is not level, water may flow out of the ice maker, ice cubes may be irregular or the doors may not close properly.

Installation requirements

Installation preparation

Cabinet installation parts

Using the table below, verify that all installation parts are present as you unpack the appliance.



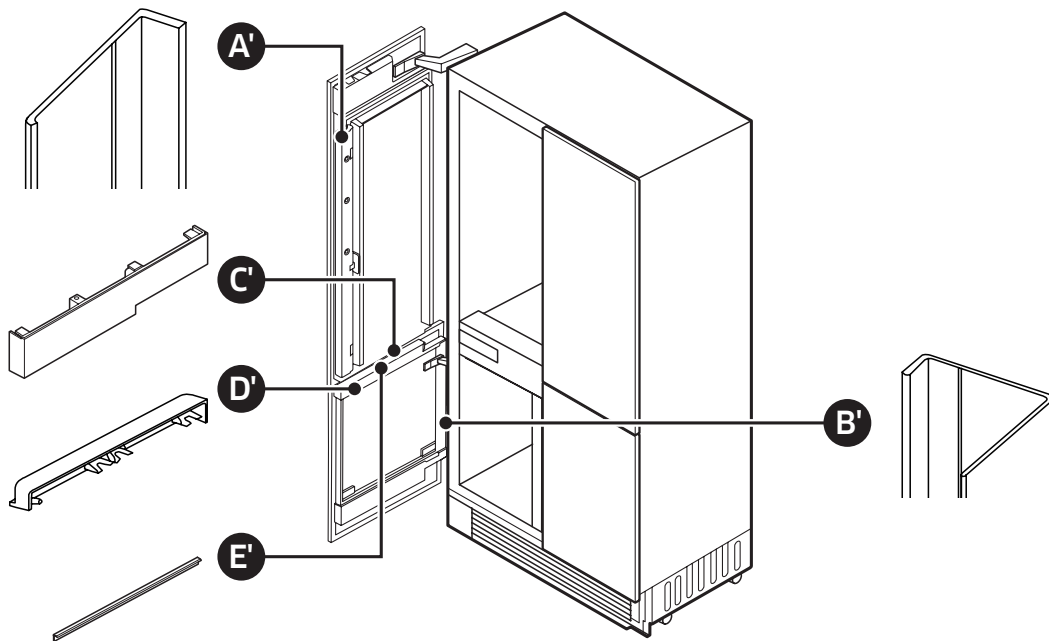
Check the installation parts when unpacking.

| | PARTS | Quantity |
|---|-------------------|-----------------|
| A | ANTI-TIP BRACKET | 2 |
| B | CABI TOP COVER | 1 |
| C | CABINET SIDE TRIM | 2 |
| D | KICKPLATE | 1 |

Installation requirements

Door installation parts






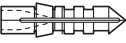
Using the table below, verify that all door-installation parts are present as you unpack the appliance.



Check the installation parts when unpacking.


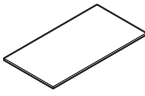
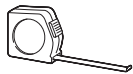



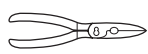
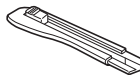




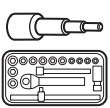

| PARTS | | Quantity |
|-------|------------------------|----------|
| A' | DOOR TRIM (SIDE) REF L | 2 |
| | DOOR TRIM (SIDE) REF R | 2 |
| | DOOR TRIM (SIDE) FRE L | 2 |
| B' | DOOR TRIM (SIDE) FRE R | 2 |
| C' | LOWER DOOR CAP REF L/R | 2 |
| D' | UPPER DOOR CAP FRE L/R | 2 |
| E' | TRIM CAP DOOR | 2 |

Screw and Nut

| | | | | | |
|---|------------|-------|---|------------|-------|
|  | M6x12 | 44 ea |  | (FH) M4x14 | 40 ea |
|  | (TH) M4x16 | 12 ea |  | M4x35 | 6 ea |
|  | M13 | 8 ea |  | Ø6x30 | 6 ea |

Installation requirements

Tools required

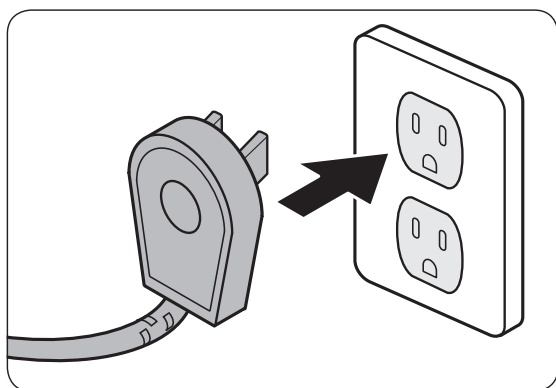
| No. | Tool | | No. | Tool | |
|-----|---|----------------------------|-----|--|----------------------------|
| 1 |  | Electric Screwdriver | 8 |  | Protective Floor Mat |
| 2 |  | Measuring Tape | 9 |  | Stepladder |
| 3 |  | Flat/Slot Head Screwdriver | 10 |  | Appliance Dolly |
| 4 |  | Cutter (Scissors) | 11 |  | Cutter |
| 5 |  | Adjustable Wrench | 12 |  | Level |
| 6 |  | Phillips Head Screwdriver | 13 |  | Star Head Screwdriver |
| 7 |  | Ratchet | 14 |  | Combination Wrench |
| | | 3/8" (10 mm), 1/2" (13 mm) | | | 3/8" (10 mm), 1/2" (13 mm) |

Grounding the refrigerator

CAUTION

Electrical and grounding connections must comply with the applicable portions of the national electrical code and/or other local electrical codes.

This appliance comes with an electrical cord with a three-prong grounding plug for a 115 Vac, 15 Amp. power supply. Plug it into a 115 Vac, three-prong, grounding electrical outlet only.



DO NOT, UNDER ANY CIRCUMSTANCES, CUT OR REMOVE THE THIRD (GROUND) PRONG FROM THE POWER CORD.
DO NOT USE AN ADAPTER PLUG TO CONNECT THE REFRIGERATOR TO A 2-PRONG OUTLET.
DO NOT USE AN EXTENSION CORD WITH THIS APPLIANCE.

WARNING



Electric Shock Hazard

Plug into a grounded, dedicated 3-prong outlet.

Do not remove the ground prong.

Do not use an adapter.

Do not use an extension cord.

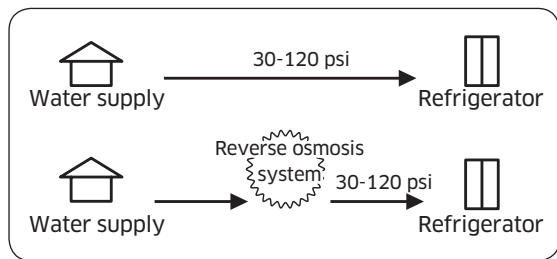
Failure to follow these instructions can result in death, fire, or electric shock.

Installation requirements

Water-pressure requirements

A cold water supply with water pressure from 30 to 120 psi (207 to 827 kPa) is required to operate the water dispenser and ice maker.

If you have questions about your water pressure, call a licensed, qualified plumber.

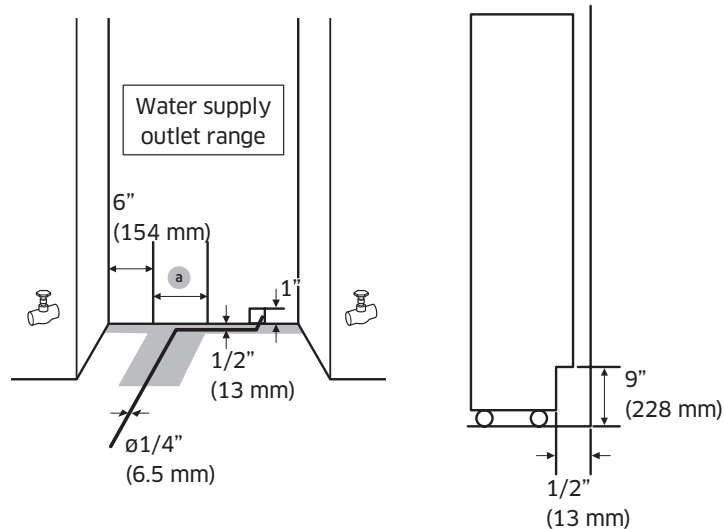


Reverse osmosis system in the water supply

IMPORTANT: The pressure of the water supply leaving a reverse osmosis system going to the refrigerator's water inlet valve must be from 30 to 120 psi (207 to 827 kPa).

Connecting to the main water supply

Before connecting the refrigerator's water line to the house's main water supply, you need to familiarize yourself with the house's plumbing layout.

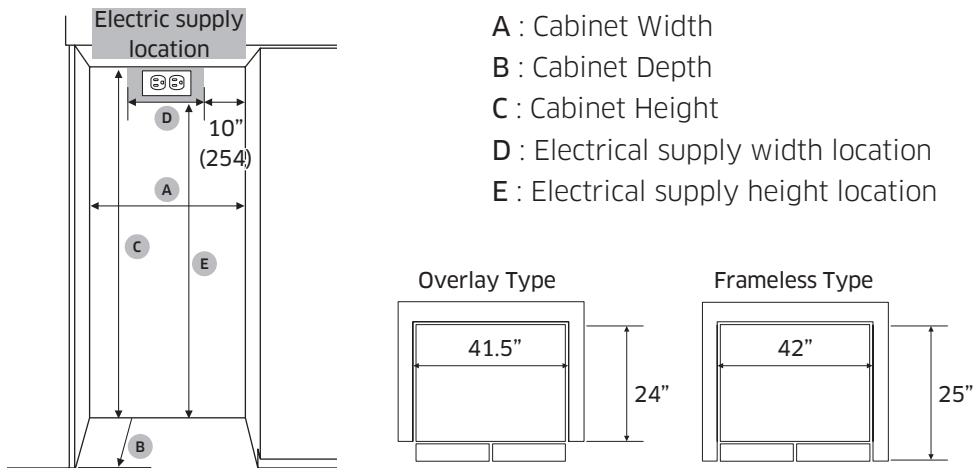


| Callout | 42" |
|---------|--------------|
| a | 12" (305 mm) |

- Decide how best to use the plumbing layout. Then
- Tap into the main water line while following these requirements:
 - The installer must provide the 1/4" (6.5 mm) water line and all fittings.
 - The water line must be long enough to provide slack to allow the refrigerator to be moved for floor cleaning and servicing, without the need to first disconnect the water line.
 - All new installations must meet local plumbing code requirements.
 - The water shutoff should be placed in the base cabinet on either side of the refrigerator or in some other easily accessible area.
 - If the water shut-off valve is placed in the back wall behind the refrigerator, it must be at an angle so that the water line is not kinked when the refrigerator is pushed into its final position.
 - Make sure the water supply pipe is within the range shown in the 1" illustrations.
 - The water hose is positioned within 1/2" from the back wall, and is withdrawn to the front along the gray-colored area in the figure above. The water hose must be taped on the floor.

Installation requirements

Cabinet special requirements



| Callout | 41.5" | 42" |
|------------|-----------------|---------------|
| A (Width) | 41.5" (1054 mm) | 42" (1067 mm) |
| B (Depth) | 24" (610 mm) | 25" (635 mm) |
| C (Height) | 84" (2134 mm) | |
| D | 22" (559 mm) | |
| E | 80" (2032 mm) | |

- B : Includes the standard door panel thickness with 3/4".
- Installation inside a cabinet of this width allows the refrigerator trim to be attached directly to the surrounding cabinets.
- For a 42" or wider cabinet, insert the spacers in the side walls of the cabinet to reduce the gap from the refrigerator.

Installation instructions

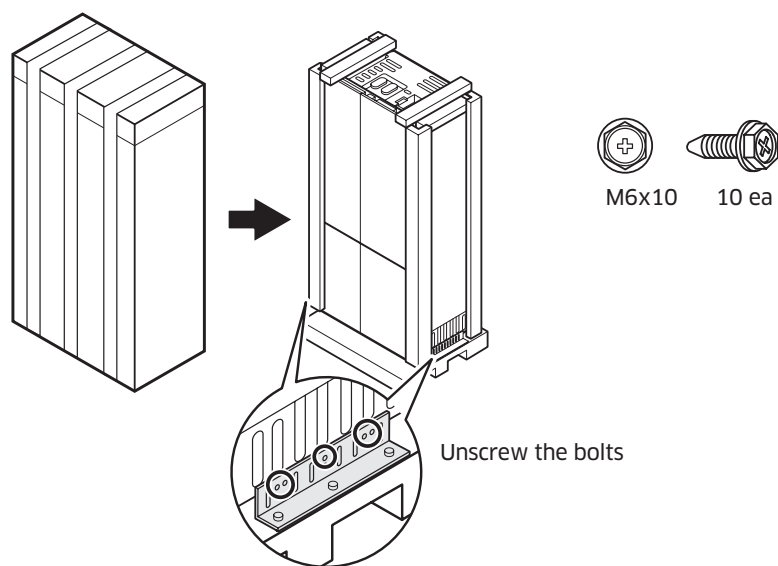
1. Uncrating the Refrigerator

Check the appliance for transit damage.

Do not install the appliance if it is visibly damaged.

If in doubt, contact your dealer.

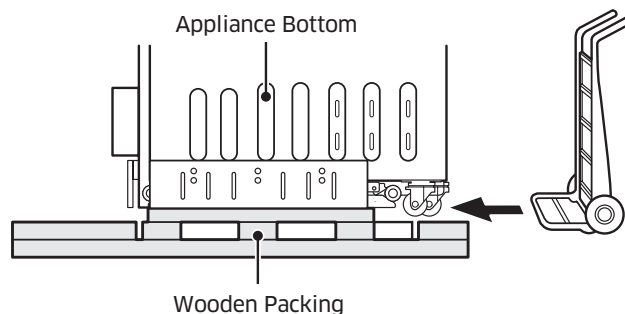
1. Remove the PP-banding, cardboard crate, EPS, and Pe-bag.
2. Remove the brackets from the pallet by unscrewing the bolts (five per bracket).



! CAUTION

Use caution not to damage the appliance when unloading it from the wooden packing.

3. As shown, insert the hand truck between the appliance and the wooden packing. While tilting the appliance up to the rear, unload it from the wooden packing.



Installation instructions

2. Moving the Refrigerator

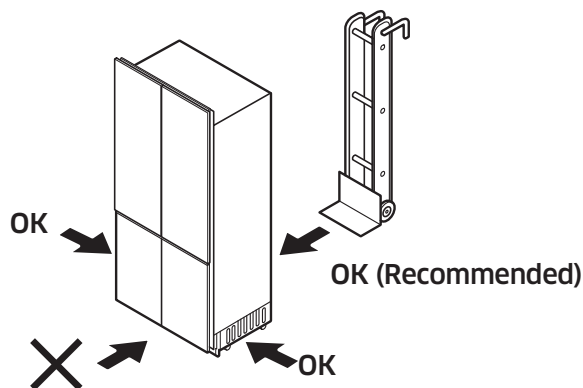
WARNING

The appliance is very heavy. When moving the refrigerator, all personnel must take care not to injure themselves or the appliance.

1. Secure the refrigerator to a suitable means of transport (preferably an appliance dolly), and move the refrigerator near its installation cabinet.
 2. Move and install with a minimum of two persons.
 3. Be very careful to avoid floor damage. Delicate flooring should be protected with plywood, hard cardboard, or similar material.
 4. Before moving the refrigerator, verify that it will fit through all door openings, stairwells, and overhead obstructions.
- **TIPPING HAZARD:** The refrigerator is large, heavy, and tips easily when not secured. Always move the refrigerator in an upright position if possible. If not, move the refrigerator on its back. Secure the doors shut during transport.

WARNING

Be careful that electrical component box is not damaged when installing.



3. Installation preparation

Unpack installation materials and accessories.

See the Installation preparation section on Installation Requirement chapter.

4. Attaching the anti-tip-bracket

WARNING

To keep the unit from tipping forward, an anti-tip bracket must be installed. Before attaching the bracket, ensure that no electrical wiring or plumbing is in the area where the screws will penetrate. Two such brackets per appliance are required.

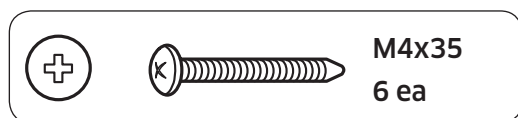
CAUTION

Always wear safety glasses and other necessary protective devices or apparel when installing or working with anchors.

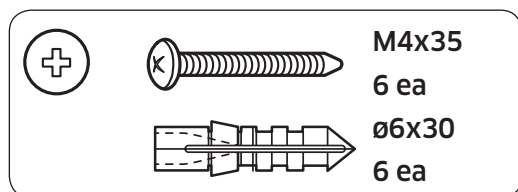
Dacor does not recommend that you anchor the anti-tip bracket in light-weight masonry (e.g., block, brick) or in new, uncured concrete.

Make sure the wall or the cabinet that the brackets are studded in has enough strength to withstand the safety load. If you have to use the spacer, make sure that the spacer is studded on a rear wall that is strong enough to withstand the safety load.

Wooden Wall



Concrete Wall



1. Bracket height is measured from the floor and depends on the cabinet height.

NOTE

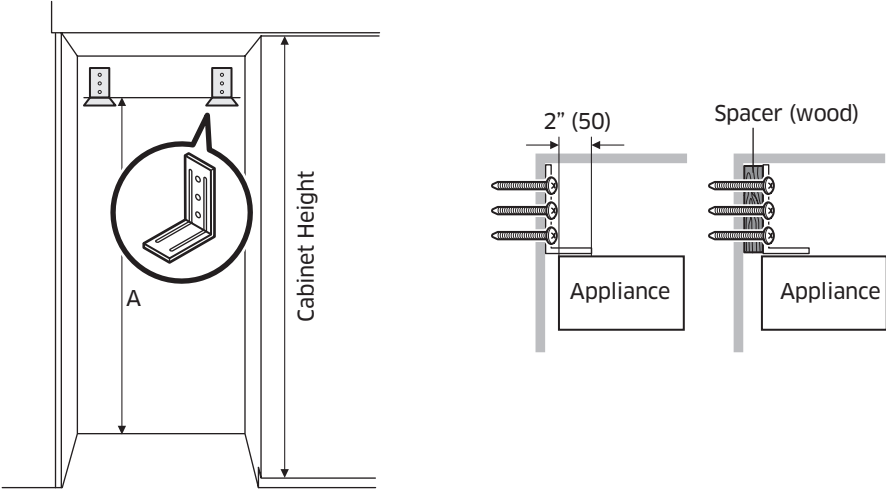
Bracket height

= Cabinet height - 3 25/32" (96 mm)

2. Attach the anti-tip brackets. Ensure the screws hold the bracket tightly.

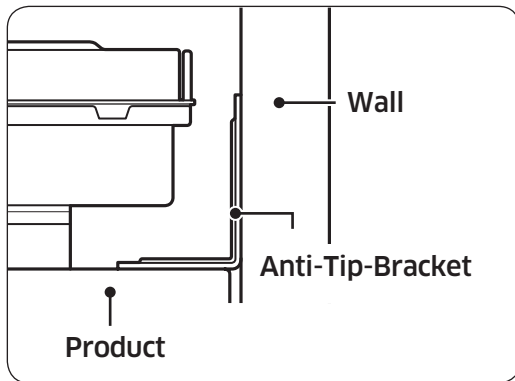
The anti-tip brackets must extend at least 2" (50 mm) over the appliance to secure the appliance. If this minimum length cannot be observed for structural conditions it is possible to do this by fastening a spacer (wood) behind the anti-tip angle.

Installation instructions



| Option | Cabinet height | A |
|--------|-------------------|---------------------|
| 1 | 83 1/2" (2121 mm) | 79 23/32" (2025 mm) |
| 2 | 83 3/4" (2127 mm) | 79 31/32" (2031 mm) |
| 3 | 84" (2134 mm) | 80 1/4" (2038 mm) |
| 4 | 84 1/4" (2140 mm) | 80 15/32" (2044 mm) |

Anti-tip bracket considerations

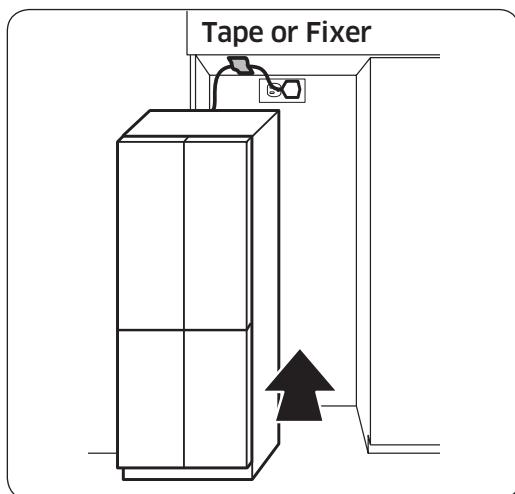


1. Bracket positioning: follow the cabinet-specific height table.
2. Screws: Tighten all 3 screws on the brackets.
3. Push the product up against the rear wall of the cabinet.
4. Spacer: If using the spacer, you must follow the positioning specifications of the bracket (see the table above).

⚠ CAUTION

- The height of the spacer must be calculated based on the depth of the cabinet.
- The spacer must be fixed separately from the cabinet.
- When using the spacer, tighten the spacer firmly and then tighten the anti-tip bracket.

When installing the product into the cabinet



Before positioning the product in the cabinet, plug in the power cord. Then, attach the power cord near the front of the cabinet opening using tape or fixer such as clip, pin, etc.

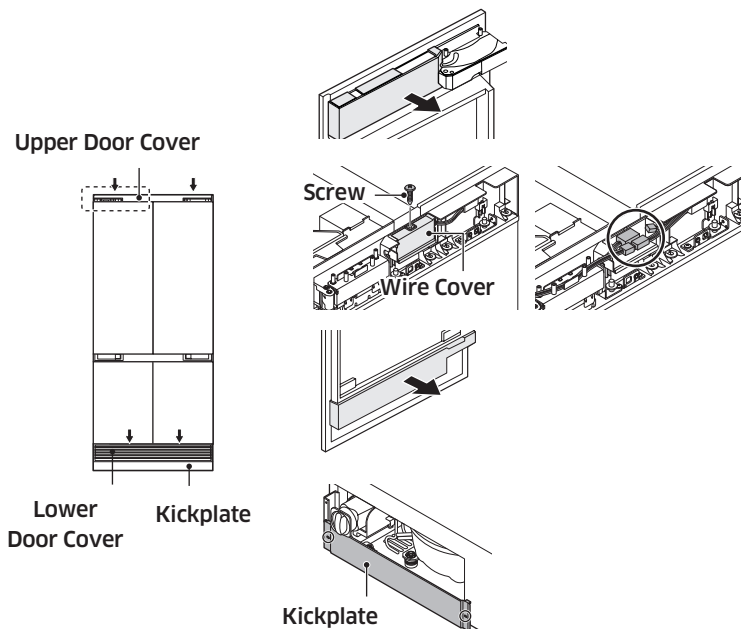
After positioning the product inside the cabinet, make sure the power cord is positioned on the top of the product (as shown in the in the figure).

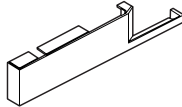
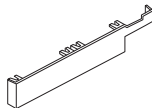
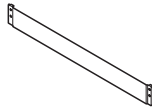


Installation instructions

5. Remove Upper & Lower Door Cover, Kickplate

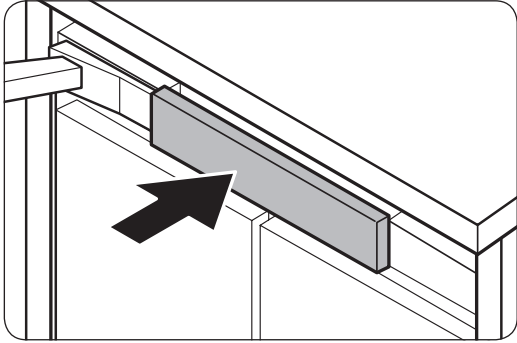
You need to remove the upper/lower door cover and kickplate before you adjust the custom door panel.

1. Upper Door Cover
 - Pull to the arrow direction.
 - Remove one screw on the wire cover. (Fridge Left Door)
 - Disconnect housing connectors to separate Upper Door Cover. (Fridge Left Door)
2. Lower Door Cover : Pull to the arrow direction and remove the cover.
3. Kickplate : Remove the screws on both sides and remove the kickplate.



| | | | | |
|------------------|---|--|------|------|
| Upper Door Cover |  | 2 ea | | |
| Lower Door Cover |  | 2 ea | | |
| Kickplate |  |   | M4x8 | 2 ea |

6. Attaching the Refrigerator's Top Cover



Attach the refrigerator's top cover to the hook at the top front of the chassis.

Installation instructions

7. Adjusting the door Opening Angle

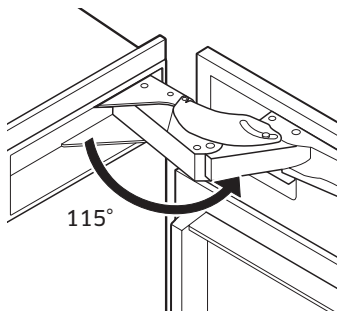
By factory default, the door opens by 115 degrees. You can use the limiter pin to adjust the opening angle down to 90 degrees, depending on the installation conditions.

- Open the door to less than 90 degrees, and then completely insert the limiter pin through the top and bottom holes of the top hinge as shown in illustrations (1) and (2).
- Close the door and make sure the limiter pin does not interfere with the hinge cover.

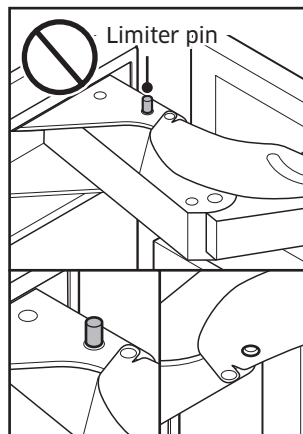
⚠ CAUTION

- Insert the limiter pin before putting the refrigerator into the cabinet.
- If the limiter pin is not inserted completely, the hinge and the hinge cover may get damaged.

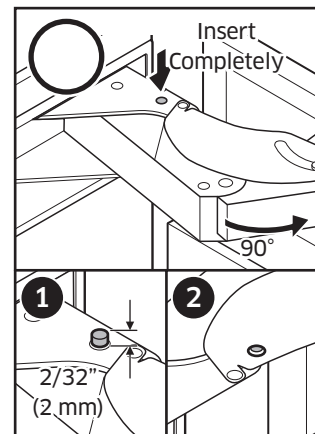
Fridge Door



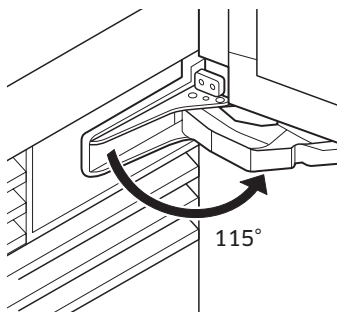
Factory default 115°



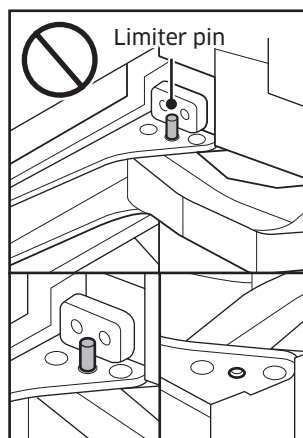
With limiter pin 90°



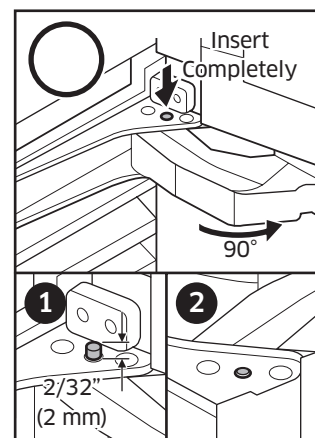
Freezer/Flexzone Door



Factory default 115°

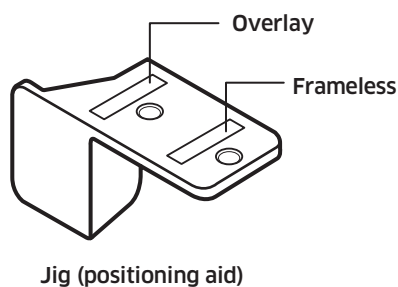
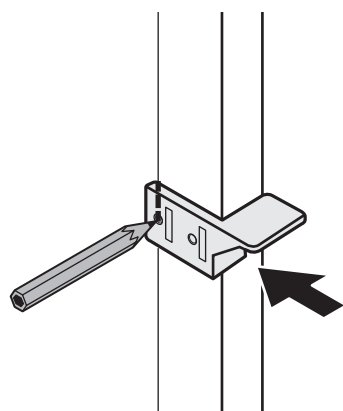


With limiter pin 90°



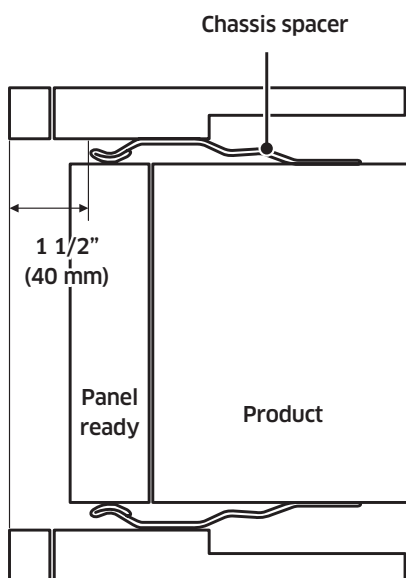
8. Moving the Refrigerator Into Its Enclosure

- According to the type of cabinet, a jig (positioning aid) can be used to align the refrigerator's custom door panel with cabinet by marking vertical line on the cabinet.



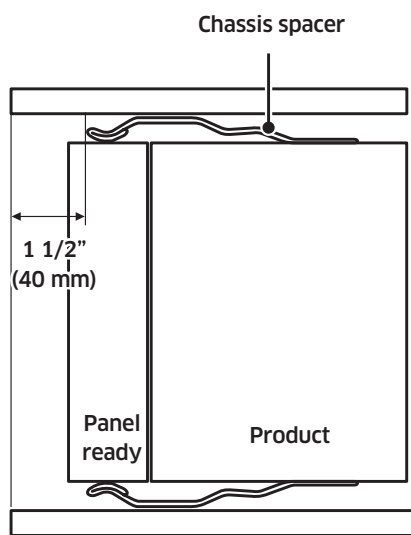
- Position the Chassis spacer to align with your vertical line.

Overlay Type



Top view

Frameless Type



Top view

Installation instructions

CAUTION

As you push the refrigerator into its enclosure, take care not to damage the water line and power cord.

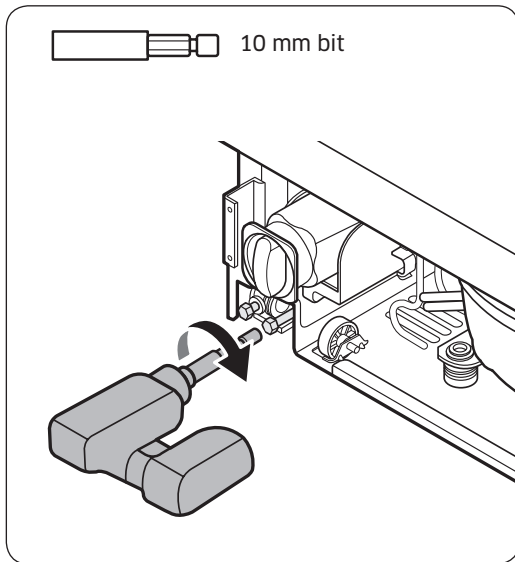
The water hose must be fixed to the ground before pulled out to the front. Also, arrange the power cord behind the appliance to ensure that it is not stepped on or over.

WARNING

While moving the refrigerator, take care not to harm assisting personnel or the refrigerator itself.

1. Before moving the refrigerator, connect the power cord. Before installation, turn the refrigerator on and make sure the room lamp and the display operate properly with no information code appearing.
2. Place packaging cardboard or plywood in the refrigerator's path to protect the flooring while moving the appliance.
3. Carefully push the refrigerator into its enclosure. When inserting the refrigerator, make sure it is positioned in the center of the cabinet.
4. Align the forward edge of the chassis spacer with the vertical line you marked on the cabinet.

9. Leveling the Refrigerator



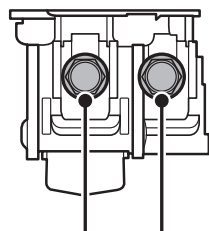
1. Using your drill and the bit shown below, engage each of the refrigerator's adjuster shafts in turn, and level the refrigerator. (CW \uparrow , CCW \downarrow)
2. Adjust the gap between the furniture and CABI TOP COVER to 1/8" (3 mm).

! CAUTION

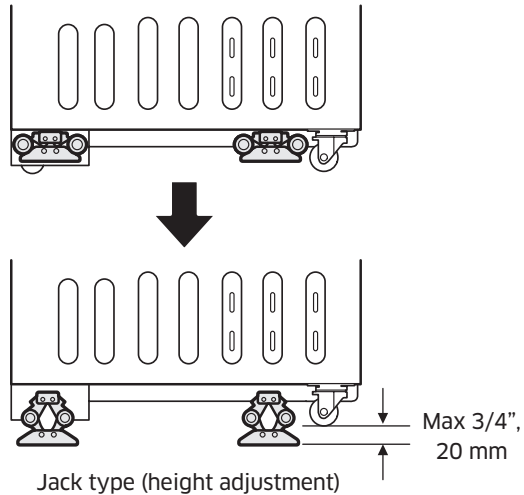
The front and rear leveling legs have a maximum height adjustment of 3/4" (20 mm).

If greater height is required, the installer may raise the refrigerator on a sheet of plywood or runners.

Raising the refrigerator above 3/4" (20 mm) will damage the front and rear leveling components.



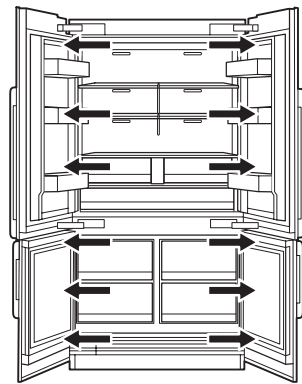
Adjustable shaft
(10 mm)



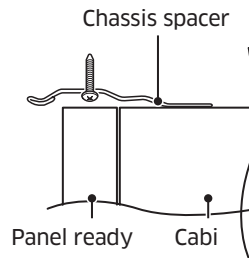
Installation instructions

10. Securing the Refrigerator

- Open the fridge & freezer/freshzone+ door.
- Secure the refrigerator to its enclosure with (TH) M4x14 screws (6 screws per side, as shown in the graphic).



Fixed location



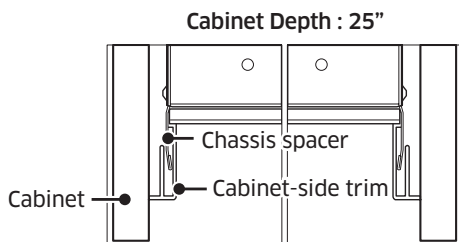
Top View



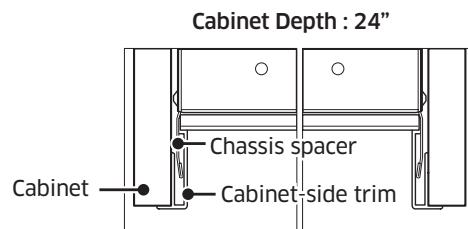
(TH) M4x14 12 ea

11. Attaching the Cabinet Trim

- Cabinet-side trim: Attach the trim between the refrigerator and the cabinet.



Cabinet Depth : 25"



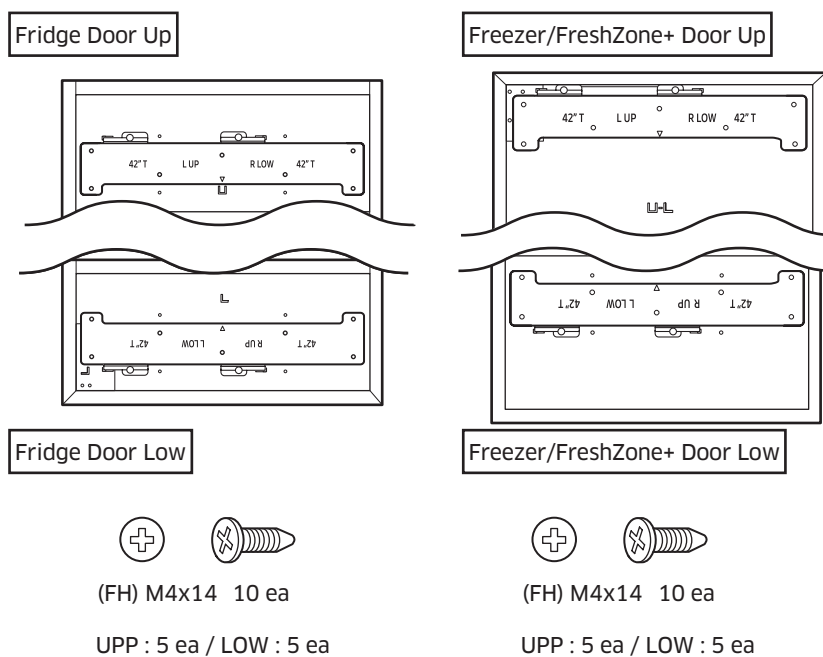
Cabinet Depth : 24"

12. Attaching Panel brackets

Attach the panel brackets to the top and bottom of the panel.

Custom Panel: STS

Drive 10 screws each to the top and bottom brackets as shown in the graphic. (The other holes on each side of the bracket are for a different application.)

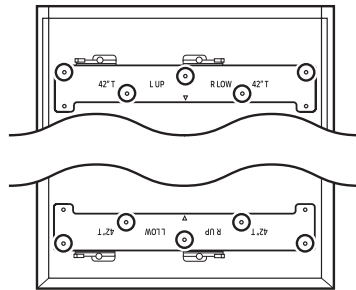


Installation instructions

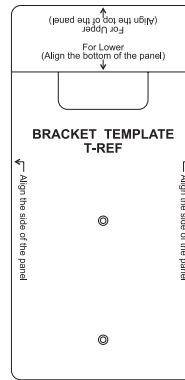
Custom Panel : Wood, Other

- The template informs you the position of the bracket and holes.
- Mark hole positions on every corner of the panel according to the template and drive the screws into the holes.

Fridge Door

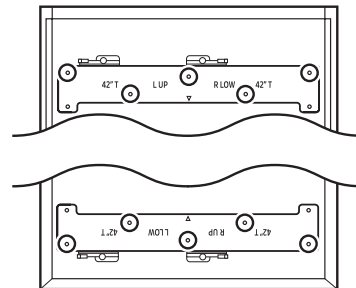


Template

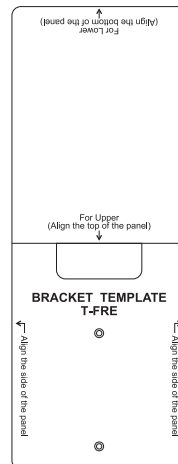


(FH) M4x14 10 ea
 UPP : 5 ea /
 LOW : 5 ea

Freezer/FreshZone+ Door



Template

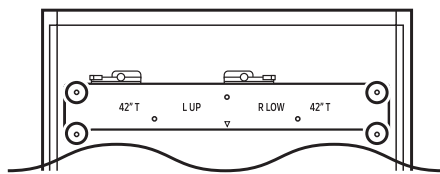


(FH) M4x14 10 ea
 UPP : 5 ea /
 LOW : 5 ea

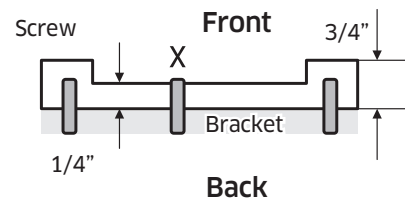
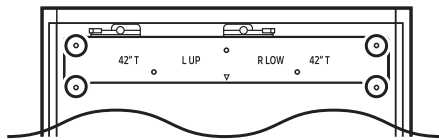
Custom Panel: Recessed Back, Other

If, by the nature of its design, the panel cannot be attached at the center of the bracket, use the whichever suitable screw holes on the sides of the bracket to attach the panel.

Fridge Door



Freezer/FreshZone+ Door



(FH) M4x14 8 ea

UPP : 4 ea / LOW : 4 ea

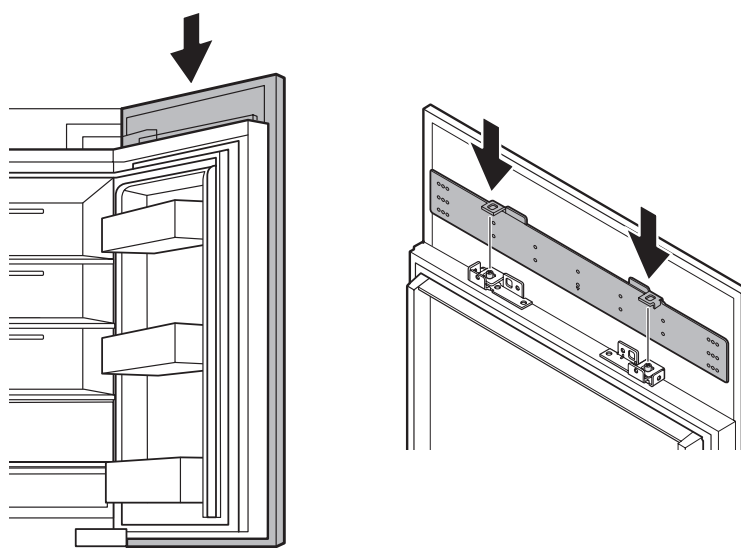
Installation instructions

13. Hanging a Custom Panel

WARNING

If you install a custom panel before fixing the appliance to the cabinet, the custom panel can tip over. To prevent this, you must follow the installation instructions.

- Hang the panel bracket on the height adjustment screw. (See the graphic.)



14. Aligning the Panel

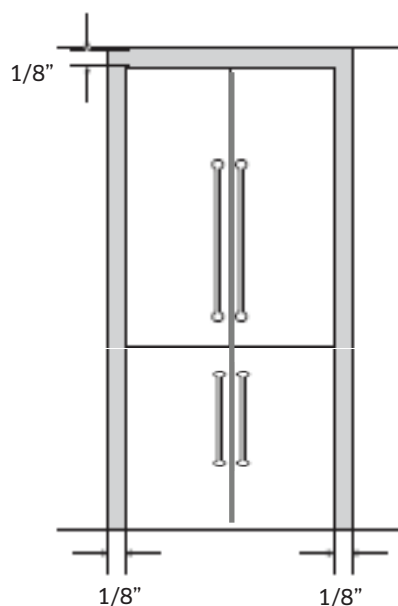
NOTE

Each custom panel comes with 12 dedicated screws for fine-tuning. Use a minimum number of screws to fine-tune the custom panel with the cabinet. Once fine-tuning is complete, fix the custom panel with the top nut.

There are two panel-adjustment mechanisms at the top and two at the bottom of the door. Adjust the panel so it aligns with the surrounding cabinetry.

The gap between the cabinet and the panel must be:

- 1/8" (3 mm) on top
- 1/8" (3 mm) on the side



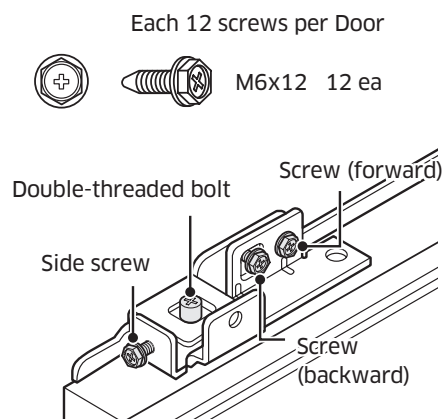
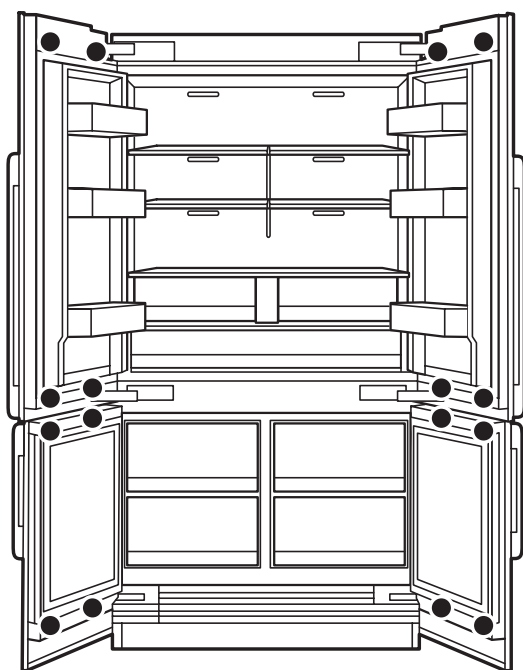
Top of the Door

1. Use the double-threaded bolts to align the door panel.
2. Engage a side screw (see the graphic) to shift the panel side to side.
3. Engage Screw 1 (see the graphic) to shift the panel forward/backward; engage Screw 2 to set the panel in place.

Installation instructions

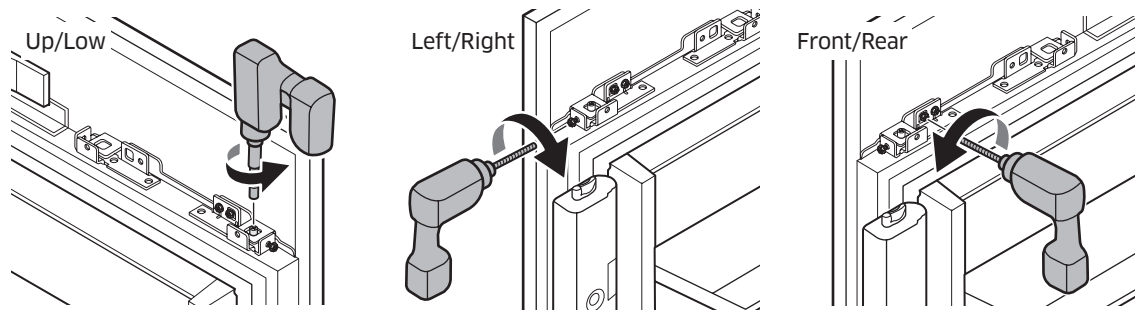
1. Engage Double Threaded Bolt (see the graphic) to shift the panel up and down.
2. Engage a side screw (see the graphic) to shift the panel side to side.
3. Engage Screw (backward) (see the graphic) to shift the panel forward/backward; engage Screw (forward) to set the panel in place.

● Panel-adjustment mechanisms

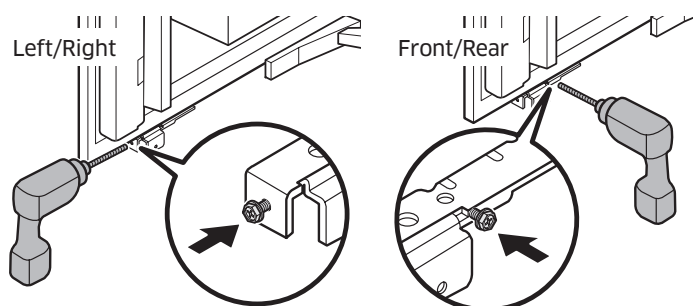


Panel-Adjustment Mechanism

Top of Door

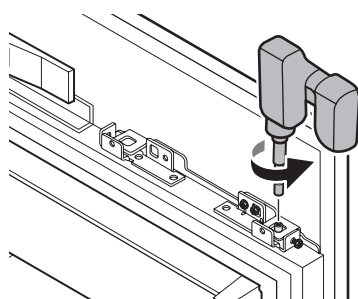


Bottom of Door



Attaching the Panel to the Door

Screw nuts snugly onto the double-threaded bolts.



M13 8 ea

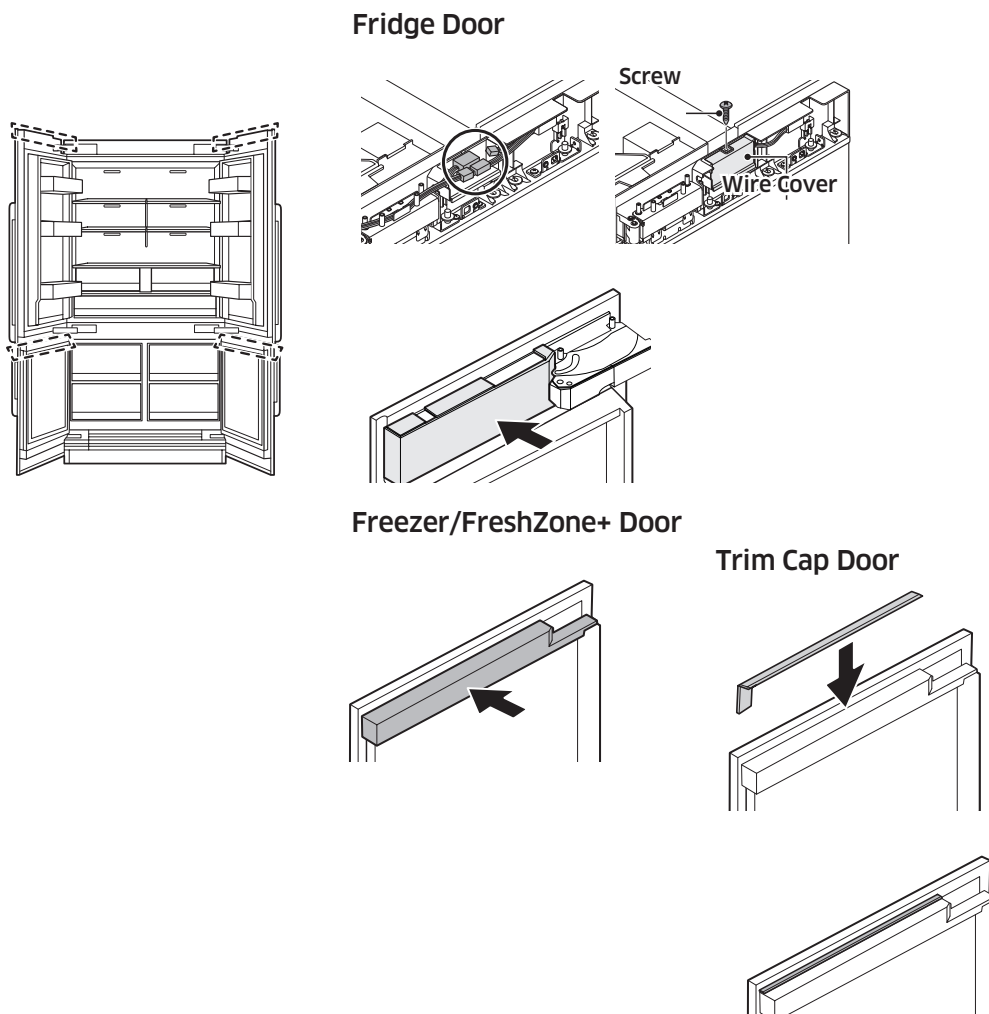
Two nuts per set

Installation instructions

15. Attaching the Door's Interior Covers

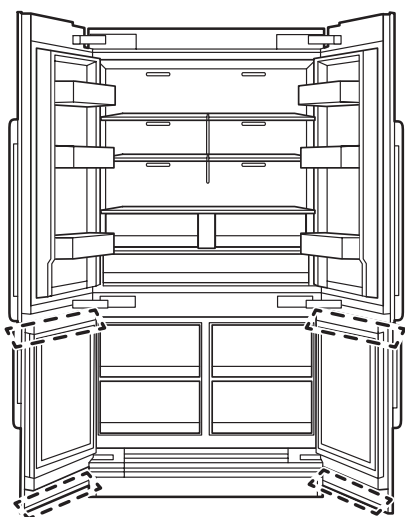
1. Upper Door Cover

- Connect housing connectors to separate Upper Door Cover. (Fridge Left Door)
- Attach the wire cover. (Fridge Left Door)
- Push to the arrow direction.

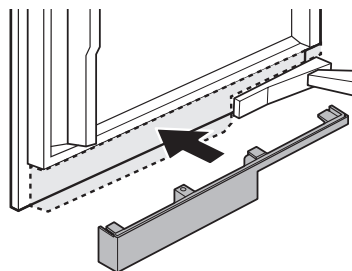


2. Lower Door Cover

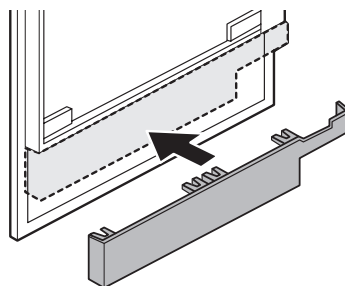
Push to the arrow direction.



Fridge Door



Freezer/FreshZone+ Door



Installation instructions

16. Connecting the Water Line

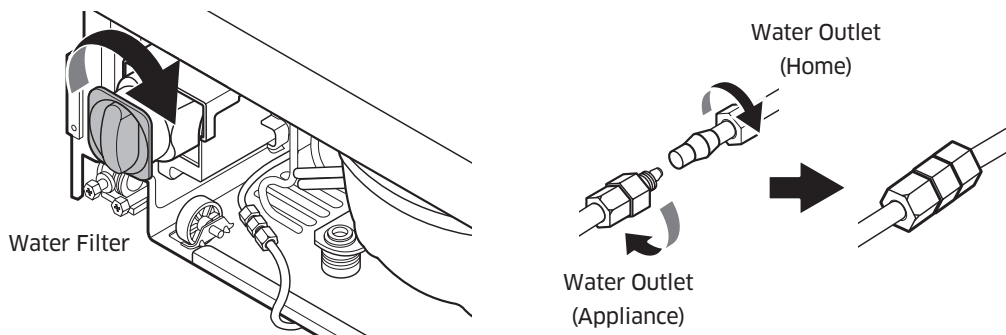
To prevent leaks and water damage, be careful not to kink the water line.

After connecting the water hose on the floor, open the water valve in the rear of the appliance and check the connection of the water supply line and make sure there is no leak.

There are several items you must purchase to complete this connection. You may find these items sold as a kit at your local hardware store.

| | |
|----------------|---|
| Copper Tubing | <ul style="list-style-type: none">• 1/4" copper tubing• 1/4" compression nut (1 pc)• Ferrule (2 pc) |
| Plastic Tubing | <ul style="list-style-type: none">• 1/4" plastic tubing → Molded end (Bulb)• 1/4" compression nut (1 pc) |

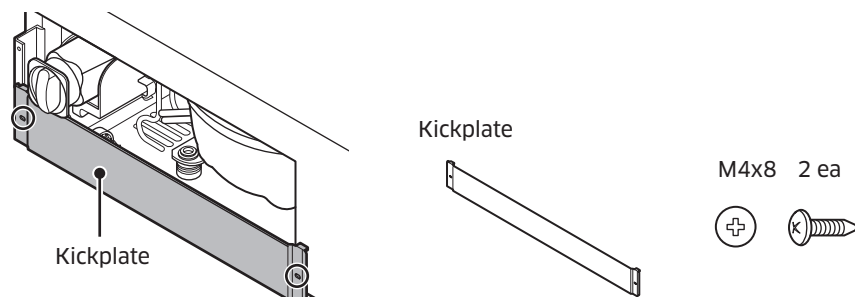
1. Remove the cap from the appliance connection.
2. Bend the water line according to the location of the connection on the appliance.
3. Slide the union nut and seal onto the water line.
4. With the open-end wrench, tighten the union nut, being careful not overtighten.
5. Open the shut-off valve and main water tap.
6. Check the connection on the shut-off valve and on the appliance for leaks.
7. Push the water line into the guard tube as far as possible.



17. Attaching kickplate and Toe kickplate

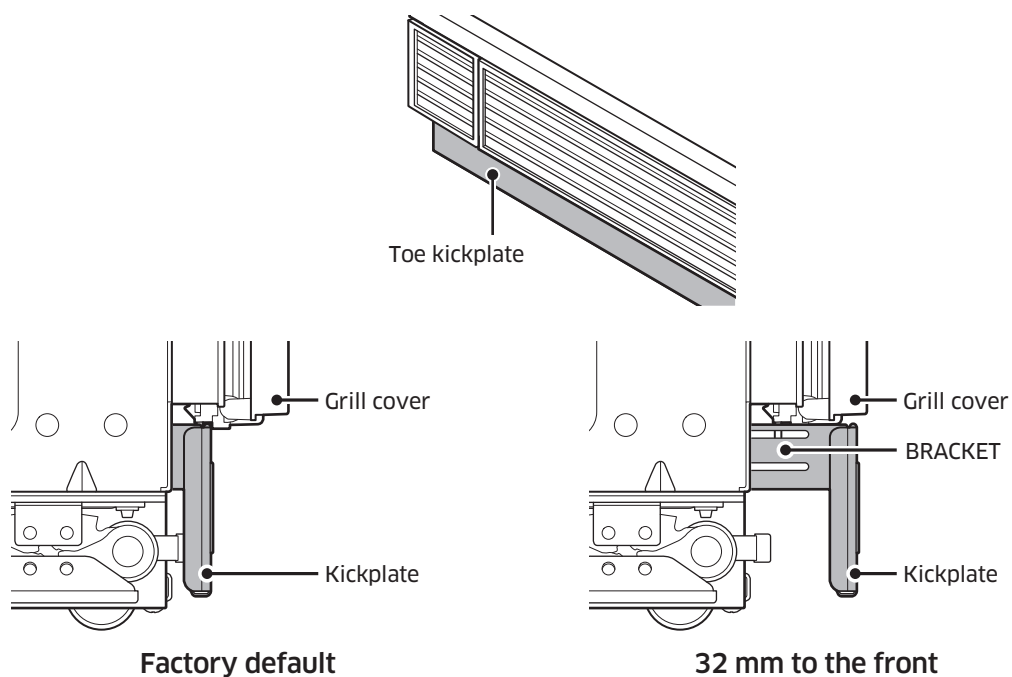
Attaching kickplate

- Drive the screws on both sides to attach the kickplate.



Attaching Toe kickplate

- The height of the product can be adjusted between 83 3/8" ~ 84 3/8".
- If you want to use the provided Dacor toe kickplate (4"), note that it was designed for a product height of 83 7/8" and cabinet height of 84".
- If you want to use a toe kickplate not provided by Dacor, adjust the height of the toe kickplate accordingly.
- You can extend the bracket to move the kickplate by a max of 32 mm to the front. To extend the bracket, you must remove the grill cover first.



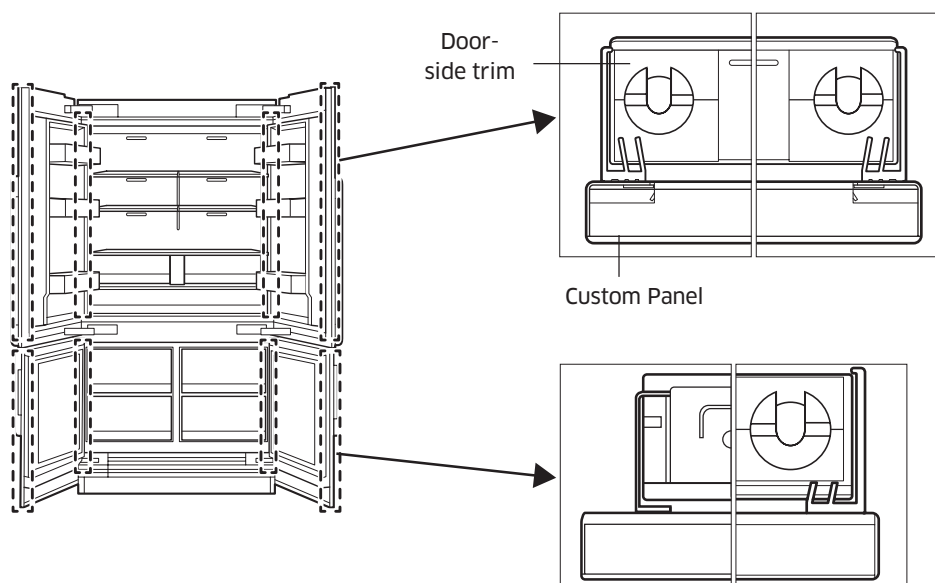
Installation instructions

18. Attaching the Door Trim

- Door side trim: Attach trim to the door side.
Insert the door-side trim parallel with the top of the upper door cover.

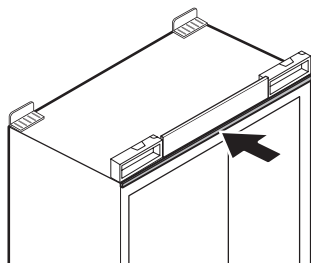
WARNING

Please check again if there is any problem after installation.



19. Attaching Trim Top Cover

Attach the Trim Top Cover on the bottom of the Top Cover.



20. Removing the Interior packaging

Unpack EPS and tape.

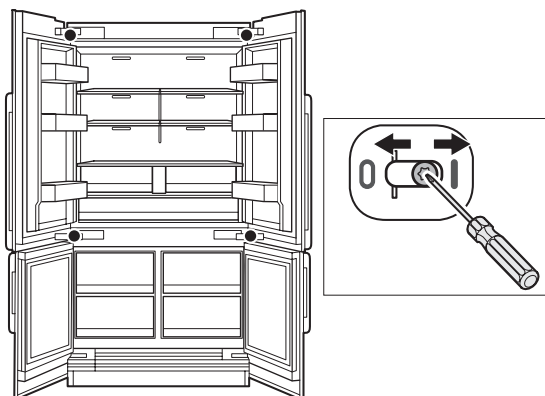
21. Adjusting the door spring

Adjust the tension of the door spring according to the product size.

With a star-head screwdriver, turn the adjusting screw.

1 = maximum spring tension

0 = no spring tension



Installation instructions

22. Cleaning

Remove protective vinyl and clean the custom panel.

23. Installation Checklist

Ensure the refrigerator functions properly and that the custom door panel aligns with the surrounding cabinetry.

WARNING

- The following checklist should be completed by the installer to ensure that the refrigerator is safely and correctly installed, functions properly, and that no part of the installation has been overlooked.
- Proper installation is the responsibility of the homeowner. **The importance of proper installation of your Dacor appliance cannot be overemphasized.**

Installation Checklist

- Has the unit been inspected for cosmetic damage?
- Has the water supply line been properly installed according to specifications and checked for leaks?
- Is the unit properly aligned with the adjacent cabinets?
- Do all doors, drawers and shelves operate smoothly, without interference?
- Has all packaging, tape, and literature been removed from inside and outside of the appliance?
- Is the power cable connected to a three-prong grounded electrical outlet that meets the electrical specifications?
- Has the unit been properly leveled?
- Has the anti-tip bracket been properly installed?
- Do all refrigerator components function properly?
- Has the warranty been activated on-line or the warranty card filled out and mailed?

Memo

Memo

Memo



DA68-03621F-04

dacor[®]

Dacor • 14425 Clark Avenue, City of Industry, CA 91745 • Phone: (833) 353-5483 • Fax: (626) 403-3130 • www.dacor.com



dacor[®]

Instrucciones de instalación

Refrigerador incorporado

DRF42*

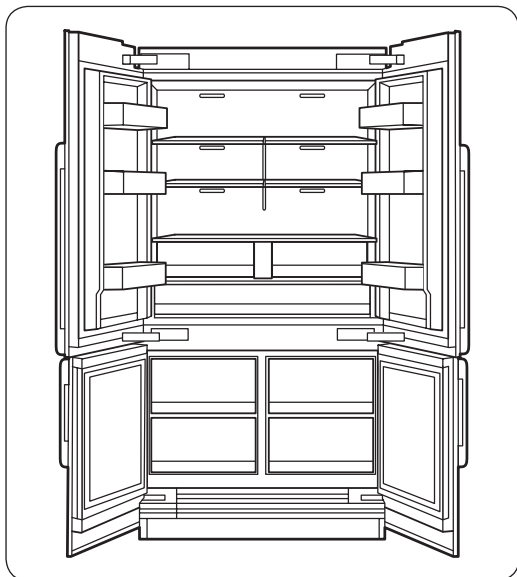
Contenido

| | |
|---|-----------|
| Antes de comenzar... | 4 |
| Importante | 4 |
| Información de Atención al cliente | 5 |
| Si necesita ayuda... | 5 |
| Instrucciones importantes de seguridad | 6 |
| Advertencia sobre la State of California Proposition 65 (solo EE.UU.) | 6 |
| Precauciones generales de seguridad | 7 |
| Información de seguridad y advertencias | 11 |
| Seguridad de la instalación | 11 |
| Especificaciones de instalación | 13 |
| Especificaciones del producto | 14 |
| Especificaciones del panel personalizado | 15 |
| Especificaciones de la manija | 16 |
| Instalación | 18 |
| Requisitos de instalación | 19 |
| Preparación para la instalación | 19 |
| Conexión a tierra del refrigerador | 23 |
| Requerimientos de presión de agua | 24 |
| Conexión al suministro de agua principal | 25 |
| Requerimientos especiales del gabinete | 26 |

| | |
|--|-----------|
| Instrucciones de instalación | 27 |
| 1. Desempaque del refrigerador | 27 |
| 2. Desplazamiento del refrigerador | 28 |
| 3. Preparación para la instalación | 29 |
| 4. Colocación del soporte antivuelco | 29 |
| 5. Retirada de la cubierta superior e inferior de la puerta, placa de protección | 32 |
| 6. Colocación de la tapa superior del refrigerador | 33 |
| 7. Ajuste del ángulo de apertura de la puerta | 34 |
| 8. Desplazamiento del refrigerador en su estructura | 35 |
| 9. Nivelación del refrigerador | 37 |
| 10. Ajuste del refrigerador | 38 |
| 11. Colocación del borde del gabinete | 38 |
| 12. Ajuste de los soportes del panel | 39 |
| 13. Colgar un panel personalizado | 42 |
| 14. Alineación del panel | 43 |
| 15. Colocación de las cubiertas interiores de la puerta | 46 |
| 16. Conexión de la tubería de agua | 48 |
| 17. Colocación de la placa de protección y el zócalo | 49 |
| 18. Colocación del borde de la puerta | 50 |
| 19. Instalación del borde de la cubierta superior | 51 |
| 20. Retirada del empaque interno | 51 |
| 21. Ajuste del resorte de la puerta | 51 |
| 22. Limpieza | 52 |
| 23. Lista de verificación de instalación | 52 |

Antes de comenzar...

Importante



Instalador

- A fin de promover la seguridad y minimizar problemas, lea este manual detenidamente antes de iniciar la instalación. Deje este manual al usuario.
- Escriba el modelo/número de serie del electrodoméstico en este manual para referencia en caso de servicio/mantenimiento.
- Los números de modelo/serie se encuentran en la etiqueta informativa en el compartimiento del refrigerador.

Usuario

- Conserve este manual para referencia personal y para referencia de inspectores, personal de servicio, etc.

GUARDE ESTAS INSTRUCCIONES

Información de Atención al cliente

Si necesita ayuda...

Si desea hacer alguna pregunta o tiene un problema con la instalación, comuníquese con su distribuidor de Dacor® o con el equipo de Atención al cliente de Dacor. Si su electrodoméstico Dacor se encuentra en garantía, comuníquese con Dacor Distinctive Service. Tenga los números de modelo y serie del electrodoméstico a mano al llamar. (Estos números se encuentran en la etiqueta informativa ubicada en el marco interno de la puerta derecha del refrigerador).

Dacor Distinctive Service (solo para reparaciones de electrodomésticos en garantía)

Teléfono: (833) 353-5483 (EE.UU. y Canadá)

Lunes a viernes de 5:00 a.m. a 5:00 p.m. Hora del Pacífico

Servicio de atención al cliente de Dacor

Teléfono: (833) 353-5483 ex. 2813 (EE.UU. y Canadá)

Lunes a viernes de 5:00 a.m. a 5:00 p.m. Hora del Pacífico

Sitio web: www.dacor.com

Todas las especificaciones están sujetas a cambios sin previo aviso. Dacor no asume responsabilidad alguna por los cambios en las especificaciones.

© 2017 Dacor, todos los derechos reservados.

GUARDE ESTAS INSTRUCCIONES

Instrucciones importantes de seguridad

Las instrucciones importantes de seguridad y las advertencias que aparecen en estas instrucciones no tienen por objeto cubrir todos los posibles problemas y condiciones que puedan ocurrir.

Utilice el sentido común y tenga precaución al instalar, mantener u operar este o cualquier otro electrodoméstico.

Siempre póngase en contacto con el equipo de servicio al cliente de Dacor por cualquier problema o condiciones que no entienda. Consulte **Información de Atención al cliente**.

Etiquetas y símbolos de seguridad

Estas alertas están destinadas a llamar la atención sobre áreas importantes en el manual.

Siempre que vea estos símbolos o etiquetas, lea el mensaje atentamente antes de continuar.

PELIGRO

Riesgos inminentes que **CAUSARÁN** lesiones físicas graves o la muerte.

ADVERTENCIA

Riesgos o prácticas inseguras que **PUEDEN** causar lesiones físicas graves o la muerte.

PRECAUCIÓN

Riesgos o prácticas inseguras que **PODRÍAN** causar lesiones físicas leves o daños materiales.

Advertencia sobre la State of California Proposition 65 (solo EE.UU.)

ADVERTENCIA : Este producto contiene sustancias químicas que, según el Estado de California, provocan cáncer, defectos congénitos u otros daños en la reproducción.

GUARDE ESTAS INSTRUCCIONES

ADVERTENCIA - Refrigerante R600a

Este dispositivo contiene refrigerante de isobutano, R600a, un gas natural con alta compatibilidad ambiental. Sin embargo, también es inflamable. Sírvase cumplir con las siguientes advertencias:

- Al manipular, instalar y operar el electrodoméstico, debe evitar daños a las tuberías refrigerantes.
- Las tareas de reparación deben estar a cargo del personal de servicio autorizado por el fabricante y los componentes deberán reemplazarse por repuestos autorizados por el fabricante.
- Los productos de refrigeración contienen refrigerantes, que en virtud de la legislación federal deben retirarse antes de la disposición del producto.
- Mantenga las aberturas de ventilación del gabinete o estructura incorporada del electrodoméstico libres de obstrucciones.
- Para evitar la creación de una mezcla de gas-aire inflamable en caso de una pérdida en el circuito del refrigerante, el tamaño del lugar en el que se coloca el refrigerador depende de la cantidad de refrigerante utilizado. El lugar debe tener 35.3 pies³ por cada 8 g de refrigerante R-600a en el electrodoméstico.
- La ubicación de instalación no debe estar expuesta a la luz solar directa ni cerca de ningún electrodoméstico o fuente de calor, tales como estufas, hornos u hornillas, radiadores, etc.
- Si coloca dos productos uno junto al otro, por razones de seguridad, asegúrese de utilizar productos certificados en atmósferas de gas explosivas.
- No utilice dispositivos mecánicos ni otros medios para acelerar el proceso de descongelamiento.
- No dañe el circuito del refrigerante.
- No utilice electrodomésticos eléctricos dentro del compartimiento de almacenamiento de alimentos del electrodoméstico.

Precauciones generales de seguridad

PELIGRO

IMPORTANTE:

A fin de evitar que los niños queden encerrados o se sofocuen al desechar un electrodoméstico viejo:

- Retire las puertas.
- Deje los estantes en su lugar de manera tal que los niños no puedan entrar fácilmente al electrodoméstico.
- Corte las clavijas del enchufe y descártelas.
- Corte el cable de alimentación y descártelo separado del electrodoméstico viejo.

GUARDE ESTAS INSTRUCCIONES

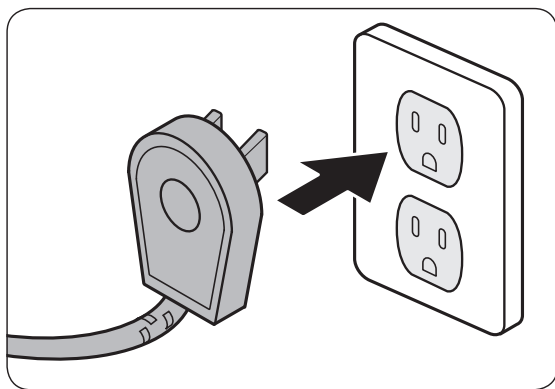
Instrucciones importantes de seguridad

Para evitar posibles explosiones o incendios, no guarde ni utilice vapores o líquidos inflamables o explosivos (como gasolina) dentro o cerca de este o de cualquier otro electrodoméstico. También mantenga los objetos que podrían explotar, como latas de aerosol, lejós de quemadores de estufa, hornos y campanas de cocina. No almacene materiales inflamables o explosivos en gabinetes o áreas adyacentes.

⚠️ ADVERTENCIA

IMPORTANTE: Este electrodoméstico está equipado con un enchufe eléctrico de tres clavijas con conexión a tierra para protección contra posibles riesgos de descarga eléctrica. Debe enchufarse en un tomacorriente dedicado y con conexión a tierra. En caso de que solo haya disponible un tomacorriente de dos clavijas, será responsabilidad del cliente reemplazarlo por un tomacorriente dedicado y conectado a tierra adecuadamente.

- No enrosque ni doble el cable de alimentación eléctrica del electrodoméstico.
- Nunca desenchufe el electrodoméstico jalando el cable de alimentación.
- Siempre sostenga el enchufe con firmeza y jale para extraerlo del tomacorriente.
- Desconecte el electrodoméstico cuando no esté en uso.
- No instale, repare, modifique ni reemplace cualquier pieza del electrodoméstico a menos que así se lo recomiende específicamente en la literatura que lo acompaña.
- Un técnico de servicio calificado debe realizar todas las demás reparaciones.



NO corte ni retire la tercera clavija (conexión a tierra) del cable de alimentación eléctrica.

NO utilice un adaptador.

NO utilice un cable de alimentación que esté pelado o dañado.

NO conecte el electrodoméstico a un alargue. Mantenga el cable de alimentación alejado de superficies calientes.

📄 NOTA

- Utilice un tomacorriente con conexión a tierra.
- No se recomienda el uso de un tomacorriente con un interruptor de falla de conexión a tierra.

⚠️ ADVERTENCIA

Para reducir el riesgo de incendio, descarga eléctrica, lesiones graves o muerte al utilizar el electrodoméstico, siga las instrucciones básicas de seguridad, incluyendo las siguientes:

GUARDE ESTAS INSTRUCCIONES

Si recibe un producto dañado, comuníquese de inmediato con su distribuidor o fabricante. No instale ni utilice un electrodoméstico dañado.

Asegúrese de que el electrodoméstico se haya instalado correctamente de acuerdo con estas instrucciones de instalación.

Asegúrese de instalar los tomacorrientes de acuerdo con la ubicación de la fuente de alimentación.

Los equipos de refrigeración y refrigerantes deben desecharse adecuadamente de manera profesional y apropiada de acuerdo con los reglamentos y la legislación local actual que protegen el medio ambiente. Esto corresponde a su viejo electrodoméstico y a su nueva unidad una vez que llega al fin de su vida útil. NO deseche el electrodoméstico en un relleno sanitario ni con desechos urbanos. Comuníquese con los centros de disposición de desechos locales para obtener información acerca de cómo desechar los residuos reciclables.

Tenga cuidado al manipular, mover, utilizar o desechar el electrodoméstico a fin de evitar daños al sistema de refrigeración.

No lo instale en exteriores ni en situaciones de humedad. Este electrodoméstico no ha sido diseñado para su instalación en vehículos recreativos ni embarcaciones.

Mantenga los materiales de embalaje alejados de los niños. Las láminas y bolsas plásticas pueden provocar asfixia.

Conecte el electrodoméstico a un circuito de 115 V, 15 A. controlado por un disyuntor o fusible. El electrodoméstico debe tener su propio circuito con conexión a tierra.

No enrosque ni doble el cable de alimentación eléctrica del electrodoméstico. Nunca desenchufe el electrodoméstico jalando el cable de alimentación. Siempre sostenga el enchufe con firmeza y jale para extraerlo del tomacorriente.

Desconecte el electrodoméstico cuando no esté en uso.

No instale, repare, modifique ni reemplace cualquier pieza del electrodoméstico a menos que así se lo recomiende específicamente en la literatura que lo acompaña. Un técnico de servicio calificado debe realizar todas las demás reparaciones.

Antes de realizar cualquier tipo de reparación, corte el suministro eléctrico en el panel del disyuntor.

Este electrodoméstico no debe ser utilizado por personas (incluido niños) con capacidades físicas o sensoriales reducidas, o por personas que carezcan de experiencia y conocimientos, a menos que se encuentren bajo la supervisión adecuada de un responsable de su seguridad. Los niños deben estar supervisados, por su seguridad.

GUARDE ESTAS INSTRUCCIONES

Instrucciones importantes de seguridad

No permita que nadie, incluso niños, se siente, pare o trepe sobre cualquier parte del electrodoméstico, incluso la puerta. Hacerlo puede provocar daños, lesiones graves o la muerte.

Si el cable de alimentación está dañado, debe ser reemplazado por el fabricante o por un técnico de reparación calificado a fin de evitar riesgos de seguridad. No utilice los controles en forma indebida.

Limpie el electrodoméstico regularmente como se indica en la sección Cuidado y limpieza del Manual del usuario. Limpie el balde o cajón de hielo regularmente.

Cuando el congelador esté funcionando, no toque las superficies internas de acero inoxidable con las manos mojadas o húmedas, dado que la piel puede adherirse a las superficies muy frías.

No utilice ningún tipo de equipo eléctrico dentro de los compartimientos del refrigerador o congelador.

No obstruya ninguna de las ventilaciones o aberturas del electrodoméstico.

A fin de evitar el riesgo de que el electrodoméstico caiga de costado es obligatorio sujetarlo mediante los dos soportes antivuelco provistos.

Utilice el electrodoméstico únicamente con el fin para el que ha sido diseñado: el almacenamiento de alimentos y bebidas. No ha sido diseñado para el uso comercial o industrial.

Al realizar la instalación tenga cuidado de que la caja de componentes eléctricos no esté dañada por la desviación de la descarga.

Abra y sostenga la manija al abrir y cerrar la puerta.

Al abrir y cerrar la puerta, tenga cuidado de no poner las manos en la entrada.

GUARDE ESTAS INSTRUCCIONES

Información de seguridad y advertencias

Seguridad de la instalación

Seguridad de la instalación y la ubicación

ADVERTENCIA

- Antes de instalar el refrigerador, conéctelo a un tomacorriente y enciéndalo para asegurarse de que funcione.
- Elija un lugar alejado del calor de calentadores, calderas o la luz solar directa.
- Instale la unidad donde el aire fluya libremente y donde el refrigerador esté bien ventilado.
- Instale la unidad de modo que el aire fluya sin obstrucciones a través de la parrilla delantera. Si no se asegura la circulación del aire, esto puede interferir con el funcionamiento normal del producto.
- Ciertos animales (roedores) pueden masticar el cable de alimentación y provocar un incendio; por lo tanto, instale la unidad en un lugar donde los animales no puedan acceder.
- Si el gabinete está hecho de material blando (por ejemplo, yeso, etc.), puede tener una estructura débil y dañarse. Por lo tanto, utilice un gabinete de material robusto y resistente.
- Instale el refrigerador con un equipo de al menos 2 personas.
- Consulte las dimensiones del gabinete y prepárelo con buena circulación de aire.
- Utilice un gabinete que no se deforme debido a las emisiones de calor del producto o a la humedad por la apertura y cierre del refrigerador.

NOTA

Este es un refrigerador de estilo "incorporado", lo que significa que debe ser instalado dentro de un hueco en gabinetes de cocina existentes.

Antes de mover el refrigerador, despeje el camino hasta el lugar donde se instalará.

Verifique todas las dimensiones del producto y el radio de inclinación con cualquier puerta, pasillo, escalera, esquina, etc., para asegurar un paso sin obstrucciones.

ADVERTENCIA



Peligro de caída

Este electrodoméstico es relativamente pesado en su parte superior y tiende a caerse cuando no se instala en forma segura.

Mantenga las puertas cerradas con cinta adhesiva hasta que el refrigerador esté en su posición final y listo para ser asegurado en su lugar.

Hacen falta dos o más personas para trasladar e instalar el refrigerador.

De lo contrario, podría sufrir lesiones graves o incluso la muerte.

Información de seguridad y advertencias

PELIGRO



Riesgo de explosión

Mantenga los materiales y vapores inflamables, como la gasolina, lejos del refrigerador.

No hacerlo puede provocar la muerte, una explosión o un incendio.

Especificaciones de instalación

ADVERTENCIA

Respete todos los códigos y ordenanzas durante la planificación e instalación. Comuníquese con el departamento de mantenimiento de edificios local para obtener más información.

ADVERTENCIA

Las conexiones eléctricas y de descarga a tierra deben cumplir con las partes pertinentes del código eléctrico nacional y/u otros códigos eléctricos.

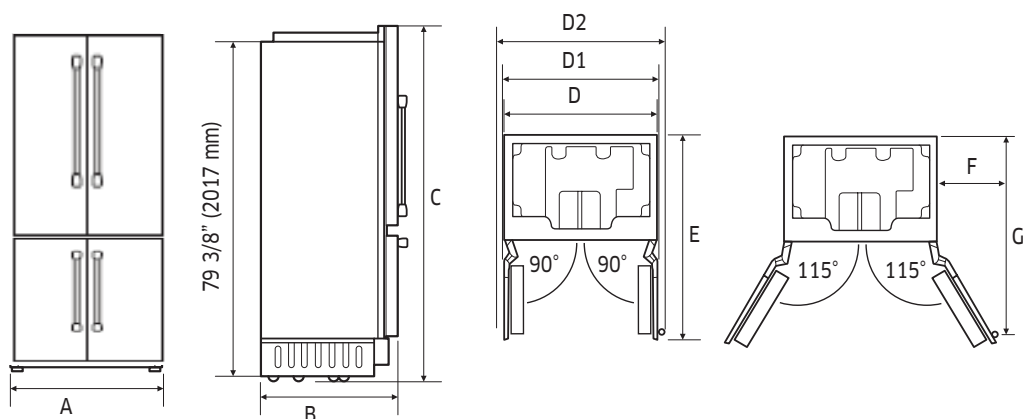
Este electrodoméstico incluye un cable de alimentación con un enchufe con conexión a tierra de tres clavijas para una fuente de alimentación eléctrica de 115 Vac, 15 Amp. Enchúfelo únicamente en un tomacorriente de tres clavijas, con conexión a tierra y de 115 Vac.

A menos que haya instalado un **sistema de filtración** en toda la casa, el cartucho de agua provisto debe instalarse de acuerdo con el Manual del usuario.

APAGUE la **fábrica de hielo** mediante la tecla **ICE** (Hielo) siempre que la válvula de suministro de agua esté cerrada. La tecla **ICE** (Hielo) se enciende cuando la fábrica de hielo está encendida.

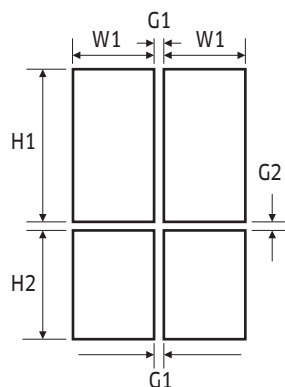
El electrodoméstico está equipado con un sistema de iluminación con lámparas LED de alta intensidad. No mire fijo dichas lámparas cuando estén encendidas a fin de evitar daños a su visión.

Especificaciones del producto



| Leyenda | 42" |
|-------------------------|---------------------|
| A (Ancho) | 41 3/4" (1060 mm) |
| B (Profundidad) | 25" (635 mm) |
| C (Altura) | 83 3/8" (2118 mm) |
| D | 41 1/4" (1048 mm) |
| D1 (con panel) | 43 11/16" (1110 mm) |
| D2 (con manija moderna) | 47 7/16" (1205 mm) |
| D3 (con manija Pro) | 48 11/16" (1237 mm) |
| E | 48 1/2" (1232 mm) |
| F | 22 7/16" (570 mm) |
| G | 47 5/8" (1210 mm) |

Especificaciones del panel personalizado



| Leyenda | 42" |
|------------------|--------------------|
| W1 | 20 25/32" (528 mm) |
| H1 | 49 3/16" (1249 mm) |
| H2 | 30 9/16" (776 mm) |
| G1 | 5/32" (4 mm) |
| G2 | 5/32" (4 mm) |
| Grosor del panel | 3/4" (19 mm) |

No supere la carga máxima que el panel personalizado puede soportar. Antes de confeccionar el panel, verifique la solidez del material del panel y la carga de los accesorios del panel.

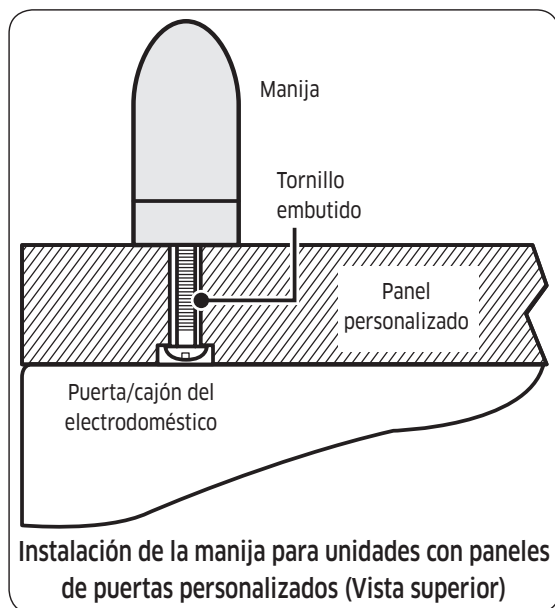
| | 42" |
|------------------------------------|--|
| Panel personalizado Peso máximo | Refrigerador: 55 lb (25 kg), Congelador: 22 lb (10 kg) |

NOTA

- El grosor estándar del panel personalizado es de 3/4" (19 mm).

Especificaciones del producto

Especificaciones de la manija



Antes de instalar los paneles personalizados, debe instalar las manijas de la puerta/cajón. Los modelos con paneles personalizados cuentan con la ventaja de poder seleccionar un estilo de manija de acuerdo con su gusto personal. Las manijas no se proveen con los modelos con paneles personalizados. Hay kits de manijas selectos disponibles a través de su distribuidor. Dacor no recomienda el uso de tiradores redondos.

La mayoría de los kits de manijas no incluyen los tornillos de montaje necesarios dado que la longitud varía de acuerdo con el grosor del panel.

El fabricante del panel debe seleccionar y comprar los tornillos necesarios para la instalación. Las cabezas de los tornillos deben embutirse en el panel a fin de evitar interferencias durante el ajuste.

PRECAUCIÓN

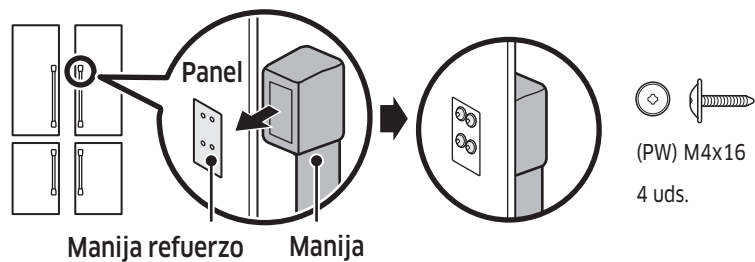
Recomendamos instalar una manija para panel personalizado. Sin la manija, puede atraparse los dedos al abrir o cerrar la puerta.

Instalación de la manija

ADVERTENCIA

Siga estas instrucciones para instalar la manija. De lo contrario, la manija puede dañarse o funcionar inadecuadamente.

1. Coloque el soporte reforzado de la manija en la parte trasera del panel de la puerta y luego coloque la manija en la parte delantera del panel de la puerta.
2. Fije los 4 tornillos en los lados superior e inferior de la manija, tal como se muestra. No los apriete excesivamente.



Instalación

ADVERTENCIA

No instale el electrodoméstico:

- en exteriores,
- en un ambiente con caída de agua.

El electrodoméstico es muy pesado:

T 42" aprox. 661 lb / 300 kg

Sala de instalación

El electrodoméstico debe instalarse en una habitación seca y ventilada.

Instalación estable

El electrodoméstico es muy pesado y tiende a caer hacia adelante cuando la puerta está abierta.

No abra la puerta hasta que no haya ninguna posibilidad de que el electrodoméstico se caiga.

La manera más segura de instalar el electrodoméstico es utilizar los dispositivos antivuelco provistos.

Piso

La superficie inferior debe estar nivelada y uniforme a fin de garantizar que el electrodoméstico esté instalado en forma segura y funcione correctamente.

La superficie inferior debe estar hecha de un material duro, no flexible.

Alinear el electrodoméstico

A fin de garantizar que el electrodoméstico funcione correctamente, debe estar nivelado adecuadamente.

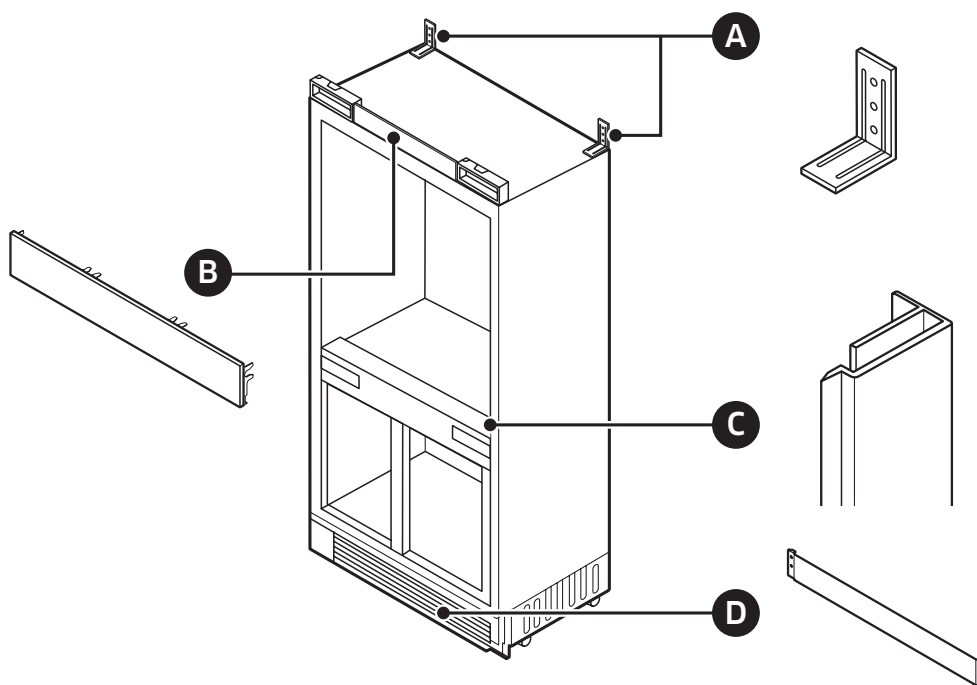
Si el electrodoméstico no está nivelado, puede caer agua de la fábrica de hielo, los cubos de hielo pueden ser irregulares y es posible que las puertas no cierren correctamente.

Requisitos de instalación

Preparación para la instalación

Piezas de instalación del gabinete

Utilizando la tabla que aparece a continuación, verifique que todas las piezas de instalación estén presentes al desembalar el electrodoméstico.



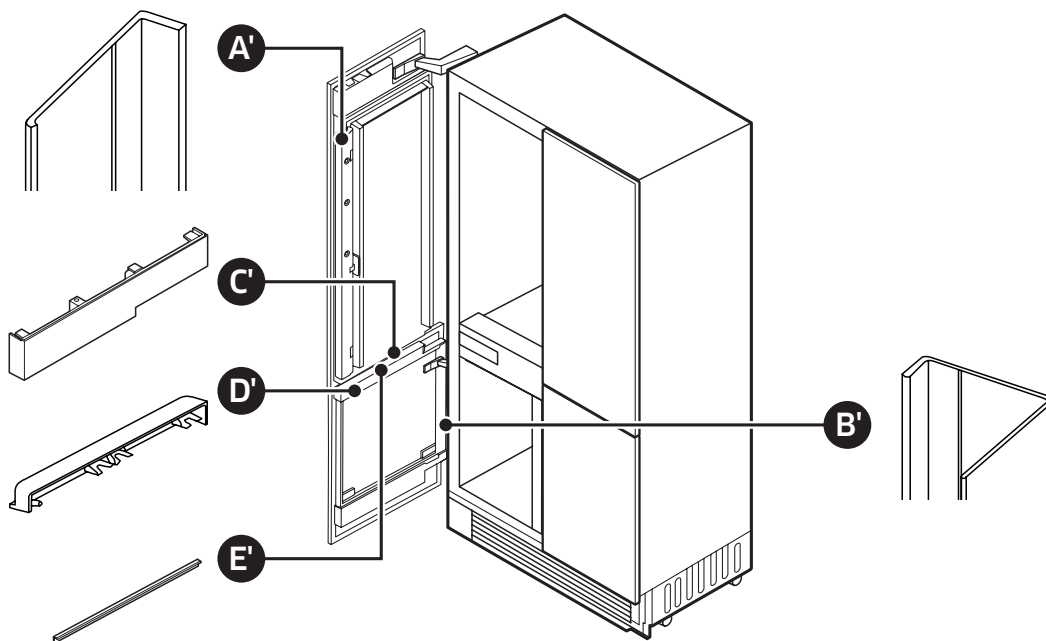
Controle las piezas de instalación al desembalar el electrodoméstico.

| | PIEZAS | Cantidad |
|---|--------------------------------|----------|
| A | SOPORTE ANTIVUELCO | 2 |
| B | CUBIERTA SUPERIOR DEL GABINETE | 1 |
| C | BORDE LATERAL DEL GABINETE | 2 |
| D | PLACA DE PROTECCIÓN | 1 |

Requisitos de instalación

Piezas de instalación de la puerta






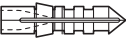
Utilizando la tabla que aparece a continuación, verifique que todas las piezas de instalación de la puerta estén presentes al desembalar el electrodoméstico.



Controle las piezas de instalación al desembalar el electrodoméstico.


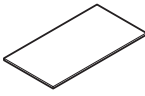
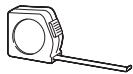


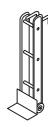
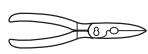
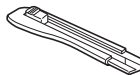




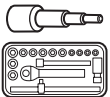

| PIEZAS | | Cantidad |
|--------|------------------------------------|----------|
| A' | BORDE PUERTA (LATERAL) REFR. I | 2 |
| | BORDE PUERTA (LATERAL) REFR. D | 2 |
| | BORDE PUERTA (LATERAL) CONG. I | 2 |
| B' | BORDE PUERTA (LATERAL) CONG. D | 2 |
| C' | CUBIERTA PUERTA INFERIOR REFR. I/D | 2 |
| D' | CUBIERTA PUERTA SUPERIOR CONG. I/D | 2 |
| E' | BORDE CUBIERTA PUERTA | 2 |

Tornillo y tuerca

| | | | | | |
|---|------------|---------|---|------------|---------|
|  | M6x12 | 44 uds. |  | (FH) M4x14 | 40 uds. |
|  | (TH) M4x16 | 12 uds. |  | M4x35 | 6 uds. |
|  | M13 | 8 uds. |  | Ø6x30 | 6 uds. |

Requisitos de instalación

Herramientas necesarias

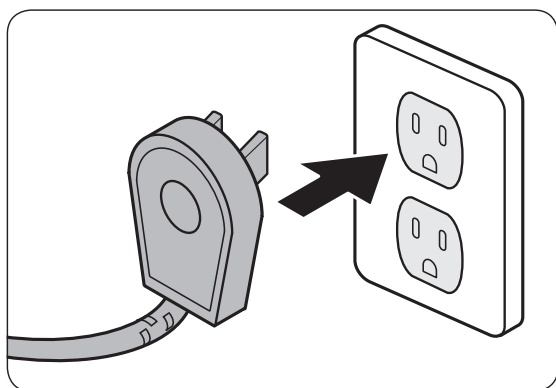
| N.º | Herramienta | N.º | Herramienta |
|-----|---|-----|--|
| 1 |  Destornillador eléctrico | 8 |  Alfombra protectora |
| 2 |  Cinta métrica | 9 |  Escalera de tijera |
| 3 |  Destornillador plano | 10 |  Plataforma móvil para el electrodoméstico |
| 4 |  Cortador (Tijera) | 11 |  Cutter |
| 5 |  Llave ajustable | 12 |  Nivel |
| 6 |  Destornillador Phillips | 13 |  Destornillador de estrella |
| 7 |  Trinquete 3/8" (10 mm), 1/2" (13 mm) | 14 |  Llave combinada 3/8" (10 mm), 1/2" (13 mm) |

Conexión a tierra del refrigerador

PRECAUCIÓN

Las conexiones eléctricas y de descarga a tierra deben cumplir con las partes pertinentes del código eléctrico nacional y/u otros códigos eléctricos.

Este electrodoméstico incluye un cable de alimentación con un enchufe con conexión a tierra de tres clavijas para una fuente de alimentación eléctrica de 115 Vac, 15 Amp. Enchúfelo únicamente en un tomacorriente de tres clavijas, con conexión a tierra y de 115 Vac.



BAJO NINGUNA CIRCUNSTANCIA CORTE O quite LA TERCERA CLAVIJA (CONEXIÓN A TIERRA) DEL CABLE DE ALIMENTACIÓN.

NO UTILICE UN ENCHUFE ADAPTADOR PARA CONECTAR EL REFRIGERADOR A UN TOMACORRIENTE DE 2 CLAVIJAS.

NO UTILICE UN CABLE PROLONGADOR CON ESTE ELECTRODOMÉSTICO.

ADVERTENCIA



Riesgo de descarga eléctrica

Enchufe a un tomacorriente de 3 clavijas exclusivo, conectado a tierra.

No retire la clavija de conexión a tierra.

No utilice un adaptador.

No utilice un cable prolongador.

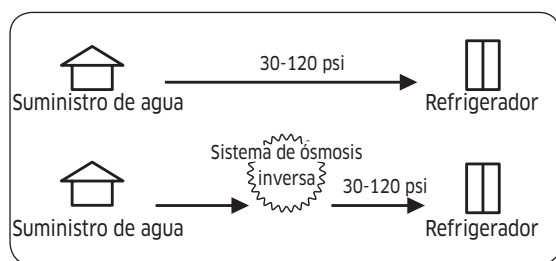
No seguir estas instrucciones puede provocar la muerte, un incendio o una descarga eléctrica.

Requisitos de instalación

Requerimientos de presión de agua

Se requiere un suministro de agua fría con presión entre 30 y 120 psi (207 y 827 kPa) para hacer funcionar el dispensador de agua y la fábrica de hielo.

Si tiene dudas sobre la presión del agua, llame a un instalador calificado autorizado.

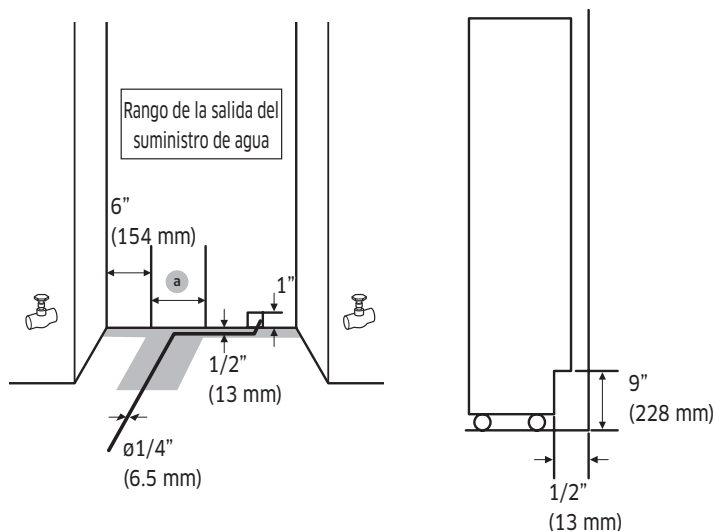


Sistema de ósmosis inversa en el suministro de agua

IMPORTANTE: La presión del suministro de agua que sale del sistema por ósmosis inversa y va a la válvula de entrada de agua del refrigerador debe estar entre 30 y 120 psi (207 y 827 kPa).

Conexión al suministro de agua principal

Antes de conectar la tubería de agua del refrigerador al suministro de agua de la casa debe familiarizarse con el diseño de las tuberías de la casa.

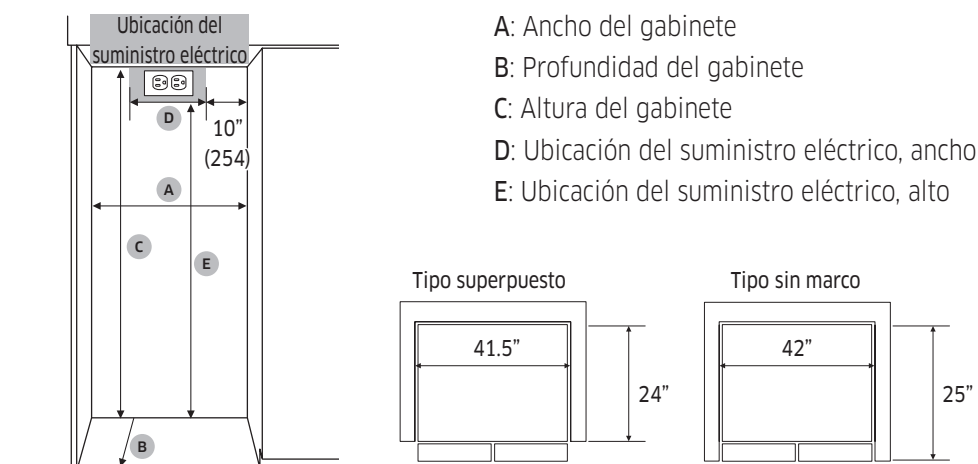


| Leyenda | 42" |
|---------|--------------|
| a | 12" (305 mm) |

1. Decida la mejor manera de utilizar el diseño de las tuberías. Luego
2. Acceda al conducto principal de agua siguiendo estos requisitos:
 - El instalador debe proporcionar el conducto de agua de 1/4" (6.5 mm) y todos los accesorios.
 - El conducto de agua debe ser lo suficientemente largo como para permitir el traslado del refrigerador para la limpieza y el mantenimiento del piso, sin necesidad de desconectar primero el conducto.
 - Todas las nuevas instalaciones deben cumplir con los requisitos del código de plomería local.
 - El cierre de agua debe colocarse en el gabinete de la base en cualquiera de los laterales del refrigerador o en alguna otra zona de fácil acceso.
 - Si la válvula de cierre de agua se coloca en la pared trasera detrás del refrigerador, debe quedar en un ángulo que impida que el conducto de agua se doble cuando el refrigerador sea empujado a su posición final.
 - Asegúrese de que la tubería de suministro de agua esté dentro del rango que se muestra en las ilustraciones de 1".
 - La manguera de agua está ubicada a 1/2" de la pared posterior, y se retira hacia adelante a lo largo de la zona gris de la figura anterior. La manguera de agua debe estar adherida al piso.

Requisitos de instalación

Requerimientos especiales del gabinete



| Leyenda | 41.5" | 42" |
|-----------------|-----------------|---------------|
| A (Ancho) | 41.5" (1054 mm) | 42" (1067 mm) |
| B (Profundidad) | 24" (610 mm) | 25" (635 mm) |
| C (Altura) | 84" (2134 mm) | |
| D | 22" (559 mm) | |
| E | 80" (2032 mm) | |

- B : Incluye el panel de la puerta estándar de un grosor de 3/4".
- La instalación dentro de un gabinete de este ancho permite que el borde del refrigerador se ajuste directamente a los gabinetes cercanos.
- Si el gabinete mide 42" o más de ancho, inserte los separadores en las paredes laterales del gabinete para reducir el espacio entre este y el refrigerador.

Instrucciones de instalación

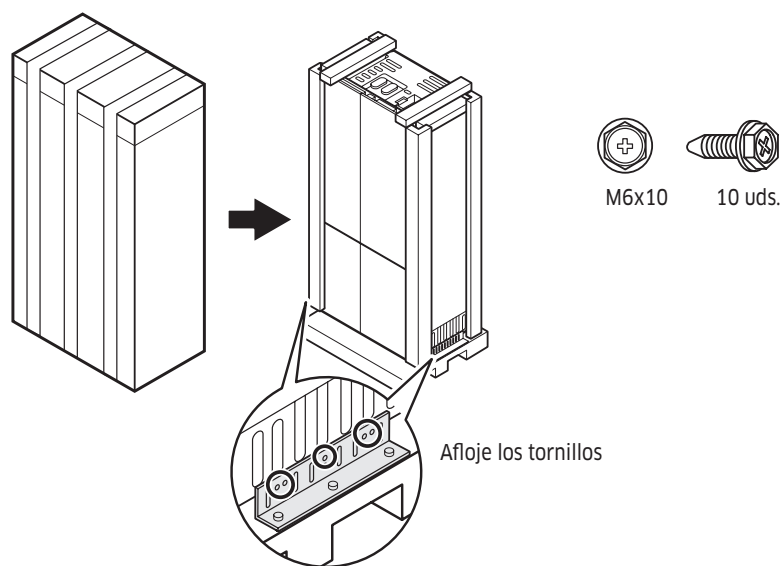
1. Desempaque del refrigerador

Controle el electrodoméstico a fin de detectar daños provocados por el transporte.

No instale el electrodoméstico si presenta daños visibles.

Si tiene alguna inquietud, consulte a su distribuidor.

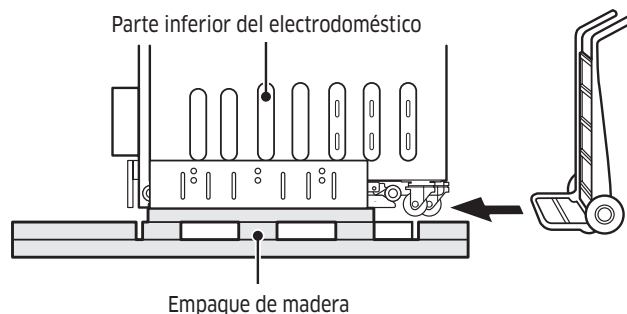
1. Retire las bandas de polipropileno, el embalaje de cartón, EPS y la bolsa.
2. Retire los soportes del pallet al retirar los tornillos (cinco por soporte).



⚠ PRECAUCIÓN

Tenga cuidado de no dañar el electrodoméstico al descargarlo del empaque de madera.

3. Como se ilustra, inserte la carretilla de mano entre el electrodoméstico y el empaque de madera. Mientras inclina el electrodoméstico hacia atrás, descárguelo del empaque de madera.



Instrucciones de instalación

2. Desplazamiento del refrigerador

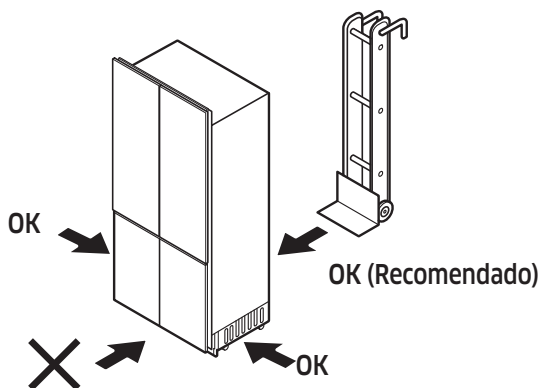
⚠ ADVERTENCIA

El electrodoméstico es muy pesado. Al mover el refrigerador, todo el personal debe tener cuidado de no lesionarse ni dañar el electrodoméstico.

1. Ajuste el refrigerador a un medio de transporte adecuado (preferentemente una plataforma deslizante para electrodomésticos) y lleve el refrigerador junto al gabinete de instalación.
 2. Mueva e instálelo con un mínimo de dos personas.
 3. Tenga cuidado de evitar daños al piso. Los pisos delicados deben protegerse con una madera, cartón duro o un material similar.
 4. Antes de mover el refrigerador, verifique que pase por las aberturas de las puertas, escaleras y obstrucciones en altura.
- **RIESGO DE VUELCO:** El refrigerador es grande, pesado y se vuelca fácilmente cuando no se lo sujeta. Siempre mueva el refrigerador en posición vertical si fuera posible. Si no, muévelo boca arriba. Cierre y fije las puertas durante el transporte.

⚠ ADVERTENCIA

Tenga cuidado de no dañar la caja de componentes durante la instalación.



3. Preparación para la instalación

Desempaque los materiales y accesorios de instalación.

Consulte la sección de preparación para la instalación del capítulo Requerimientos de instalación.

4. Colocación del soporte antivuelco

ADVERTENCIA

Para evitar que la unidad caiga hacia adelante, debe instalarse un soporte antivuelco. Antes de colocar el soporte, asegúrese de que no haya cableado eléctrico ni tuberías en el área que atravesarán los tornillos. Se requieren dos soportes por electrodoméstico.

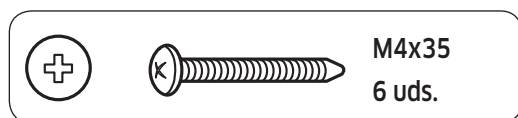
PRECAUCIÓN

Use siempre anteojos de seguridad y otros dispositivos o accesorios de protección necesarios al instalar o trabajar con fijaciones.

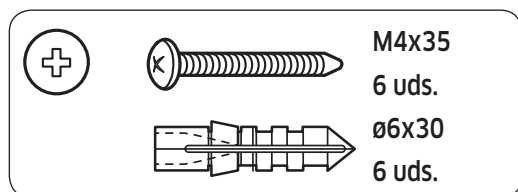
Dacor no recomienda que fije el soporte antivuelco en mampostería liviana (por ej.: bloques, ladrillos) o en cemento nuevo, sin curar.

Asegúrese de que la pared o el gabinete al que se ajustan los soportes sean lo suficientemente sólidos como para soportar la carga de seguridad. Si debe usar el separador, asegúrese de que se ajuste a una pared trasera lo suficientemente sólida como para soportar la carga de seguridad.

Pared de madera



Pared de cemento



1. La altura del soporte se mide desde el piso y depende de la altura del gabinete.

NOTA

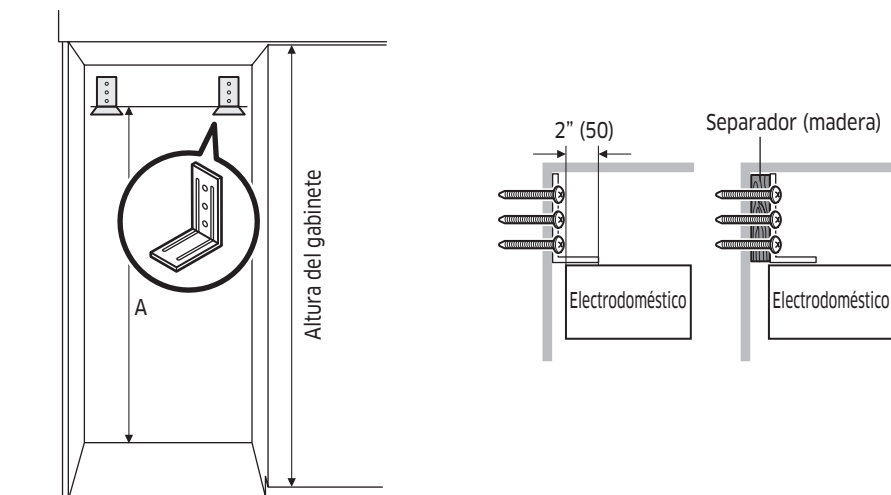
Altura del soporte

= Altura del gabinete - 3 25/32" (96 mm)

2. Ajuste los soportes antivuelco. Asegúrese de que los tornillos se ajusten bien al soporte.

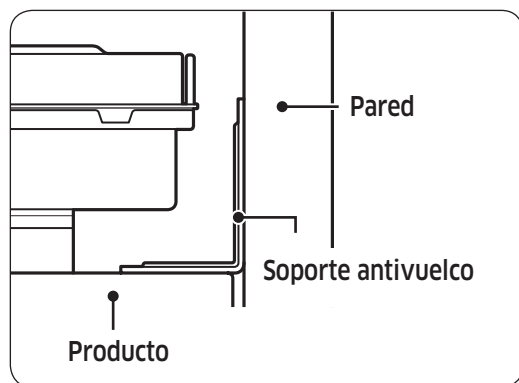
Los soportes antivuelco deben extenderse al menos 2" (50 mm) por encima del electrodoméstico a fin de fijarlo. Si no fuera posible cumplir con dicha longitud mínima por las condiciones estructurales, es posible hacerlo al ajustar un separador (madera) detrás del ángulo antivuelco.

Instrucciones de instalación



| Opción | Altura del gabinete | A |
|--------|---------------------|---------------------|
| 1 | 83 1/2" (2121 mm) | 79 23/32" (2025 mm) |
| 2 | 83 3/4" (2127 mm) | 79 31/32" (2031 mm) |
| 3 | 84" (2134 mm) | 80 1/4" (2038 mm) |
| 4 | 84 1/4" (2140 mm) | 80 15/32" (2044 mm) |

Consideraciones sobre el soporte antivuelco

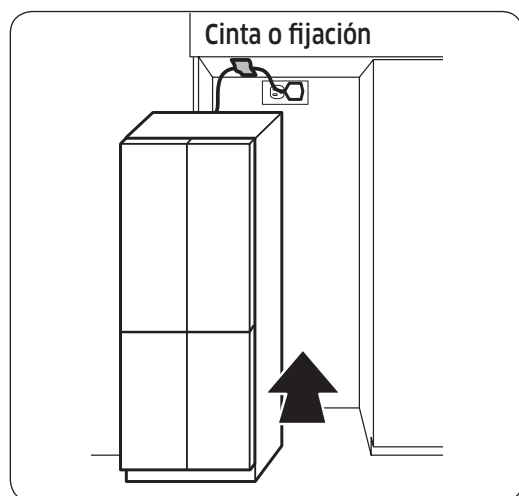


1. Posición del soporte: siga la tabla de alturas específica para el gabinete.
2. Tornillos: Ajuste los 3 tornillos en los soportes.
3. Empuje el producto hacia arriba contra la pared trasera del gabinete.
4. Separador: Si utiliza el separador debe seguir las especificaciones de ubicación del soporte (consulte la tabla anterior).

⚠ PRECAUCIÓN

- La altura del separador se debe calcular en base a la profundidad del gabinete.
- El separador debe fijarse separadamente del gabinete.
- Si utiliza el separador, ajústelo firmemente y luego ajuste el soporte antivuelco.

Instalación del producto en el gabinete



Antes de instalar el producto en el gabinete, enchufe el cable de alimentación. Luego, fije el cable de alimentación junto al frente del gabinete utilizando cinta adhesiva o una fijación como una grapa, un clavo, etc.

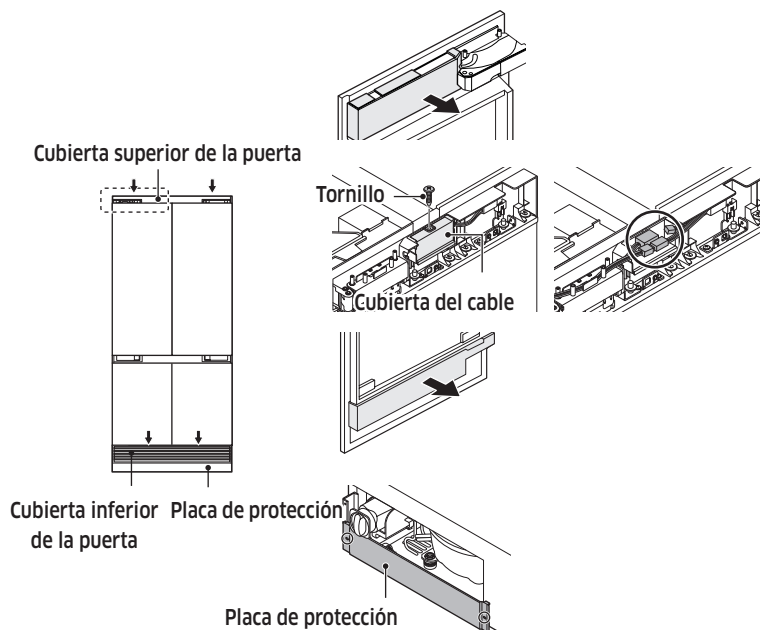
Luego de instalar el producto en el gabinete, asegúrese de que el cable de alimentación se encuentre sobre la parte superior del producto (como se muestra en la figura).

Instrucciones de instalación

5. Retirada de la cubierta superior e inferior de la puerta, placa de protección

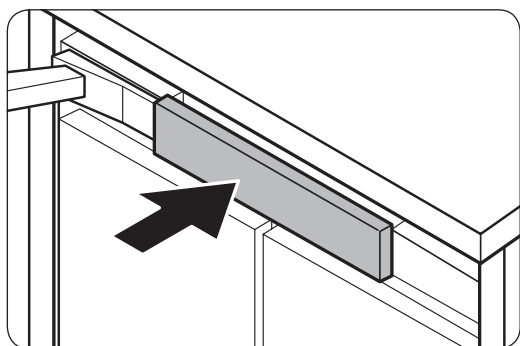
Debe retirar la cubierta superior /inferior de la puerta y la placa de protección antes de ajustar el panel de la puerta personalizado.

1. Cubierta superior de la puerta
 - Jale en la dirección de la flecha.
 - Retire un tornillo de la cubierta del cable. (Puerta izquierda del refrigerador)
 - Desconecte los conectores del gabinete para separar la cubierta superior de la puerta. (Puerta izquierda del refrigerador)
2. Cubierta inferior de la puerta: Jale en la dirección de la flecha y retire la cubierta.
3. Placa de protección: Retire los tornillos de ambos lados y separe la placa de protección.



| | | | | |
|--------------------------------|--|--------|------|--------|
| Cubierta superior de la puerta | | 2 uds. | | |
| Cubierta inferior de la puerta | | 2 uds. | | |
| Placa de protección | | | M4x8 | 2 uds. |

6. Colocación de la tapa superior del refrigerador



Ajuste la tapa superior del refrigerador al gancho ubicado en la parte delantera frontal del chasis.

Instrucciones de instalación

7. Ajuste del ángulo de apertura de la puerta

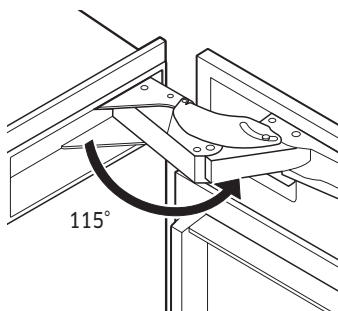
Como valor de fábrica, la puerta se abre 115 grados. Puede utilizar el limitador para disminuir el ángulo de apertura a 90 grados, dependiendo de las condiciones de instalación.

- Abra la puerta menos de 90 grados e inserte por completo el limitador por los agujeros superiores e inferiores de la bisagra superior como se muestra en las ilustraciones (1) y (2).
- Cierre la puerta y asegúrese de que el limitador no interfiera con la cubierta de la bisagra.

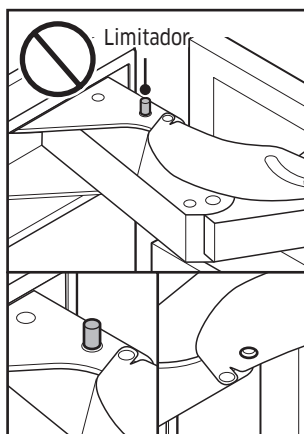
⚠ PRECAUCIÓN

- Inserte el limitador antes de instalar el refrigerador en el gabinete.
- Si el limitador no se inserta por completo, la bisagra y la cubierta de la bisagra pueden resultar dañadas.

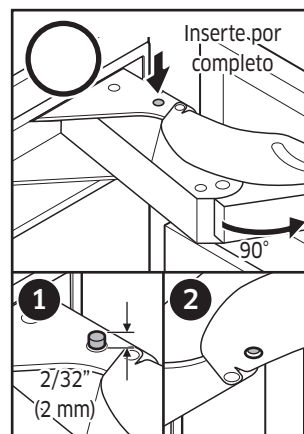
Puerta del refrigerador



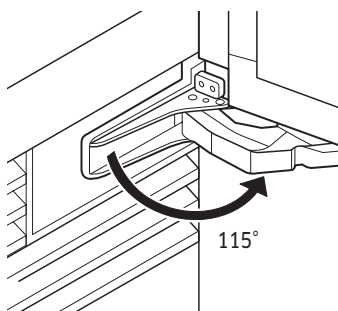
Configuración predeterminada de fábrica de 115°



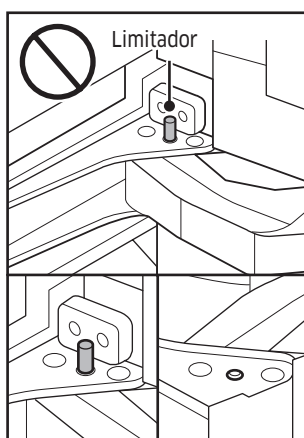
Con limitador 90°



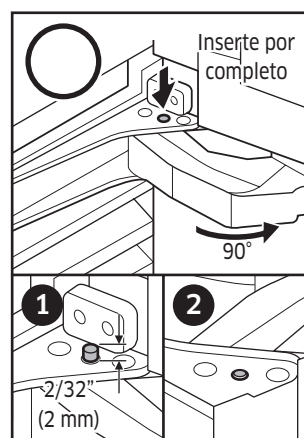
Puerta del congelador/ zona fresca+



Configuración predeterminada de fábrica de 115°

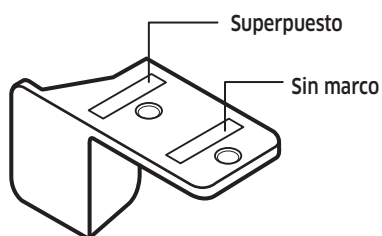
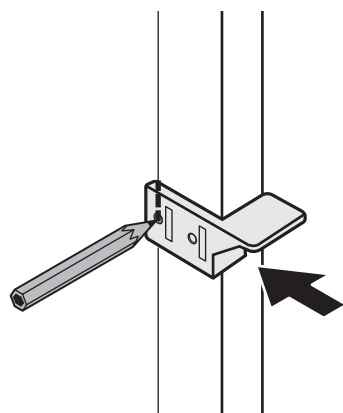


Con limitador 90°



8. Desplazamiento del refrigerador en su estructura

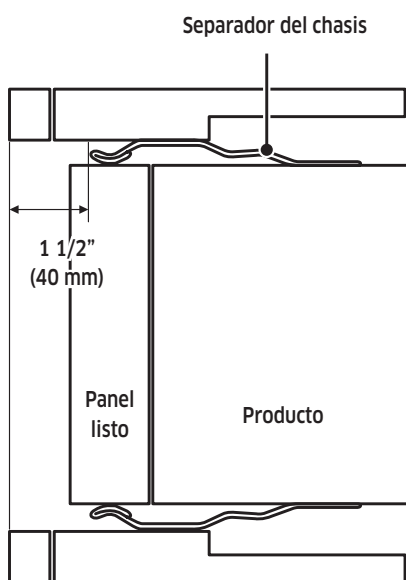
- De acuerdo con el tipo de gabinete puede utilizarse una guía (accesorio para el posicionamiento) para alinear el panel personalizado de la puerta del refrigerador con el gabinete mediante una línea vertical en el gabinete.



Guía (accesorio para el posicionamiento)

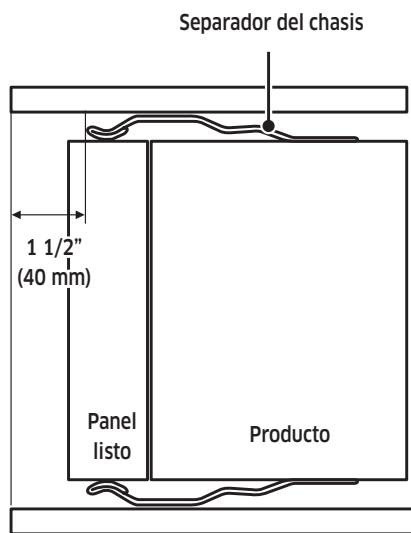
- Posicione el separador del chasis para alinearlo con su línea vertical.

Tipo superpuesto



Vista superior

Tipo sin marco



Vista superior

Instrucciones de instalación

PRECAUCIÓN

Al empujar el refrigerador dentro de la estructura, tenga cuidado de no dañar la cañería de agua y el cable de alimentación.

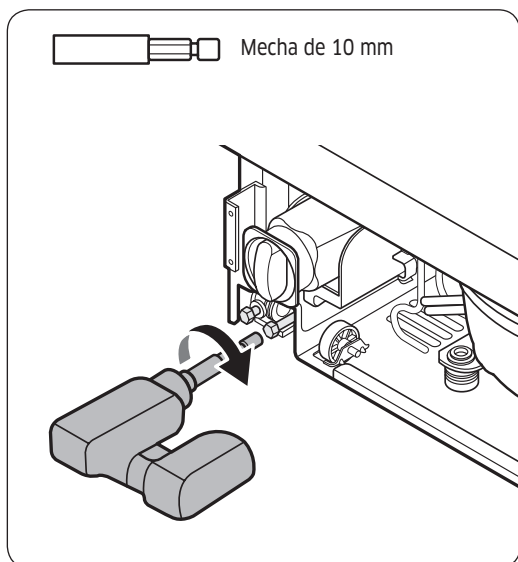
La manguera de agua debe ajustarse al piso antes de sacarla hacia el frente. También coloque el cable de alimentación detrás del electrodoméstico a fin de asegurar que nadie lo pise ni se tropiece con él.

ADVERTENCIA

Mientras mueve el refrigerador, tenga cuidado de no lesionar al personal que lo asiste ni dañar el refrigerador en sí.

1. Antes de mover el refrigerador, conecte el cable de alimentación. Antes de la instalación, encienda el refrigerador y asegúrese de que la lámpara de ambiente y el visor funcionen correctamente y que no se muestre ningún código de información.
2. Coloque el cartón o la madera de embalaje en el camino del refrigerador a fin de proteger el piso mientras mueve el electrodoméstico.
3. Empuje cuidadosamente el refrigerador en su estructura. Cuando instale el refrigerador, asegúrese de colocarlo en el centro del gabinete.
4. Alinee el borde delantero del separador del chasis con la línea vertical que trazó en el gabinete.

9. Nivelación del refrigerador

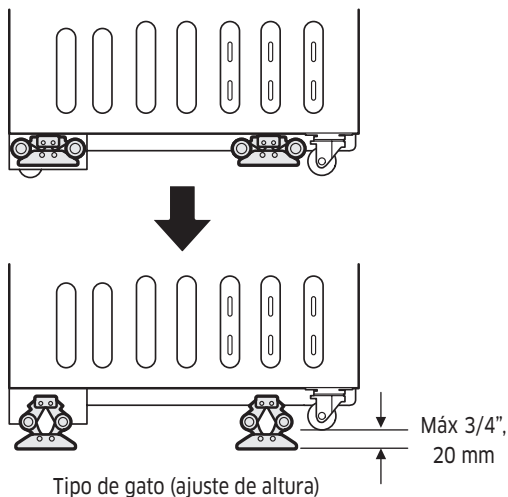
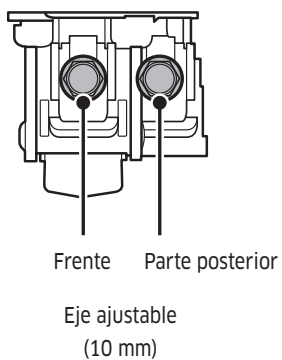


1. Utilice el taladro y la mecha que se ilustran a continuación y ajuste los ejes del ajuste del refrigerador y nivele el refrigerador.
(CW \uparrow , CCW \downarrow)
2. Ajuste la separación entre el mueble y la CUBIERTA SUPERIOR DEL GABINETE a 1/8" (3 mm).

⚠ PRECAUCIÓN

Las patas niveladores frontales y traseras tienen una altura máxima de ajuste de 3/4" (20 mm). Si se requiere una altura mayor, el instalador podrá elevar el refrigerador sobre una placa de madera o tabla corrediza.

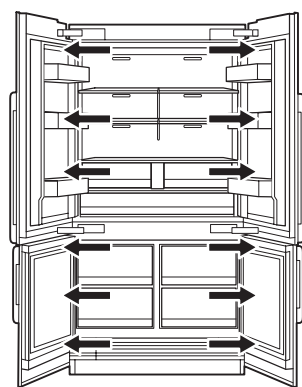
Elevar el refrigerador más de 3/4" (20 mm) dañará los componentes de nivelación delanteros y traseros.



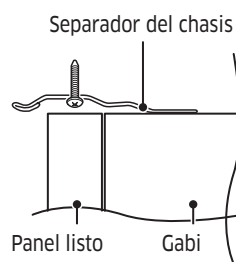
Instrucciones de instalación

10. Ajuste del refrigerador

- Abra la puerta del refrigerador y del congelador/zona fresca+.
- Ajuste el refrigerador a su estructura con tornillos (TH) M4x14 (6 tornillos por lado como se ilustra en el gráfico).



Ubicación fija



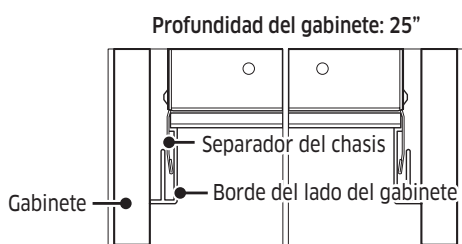
Vista superior



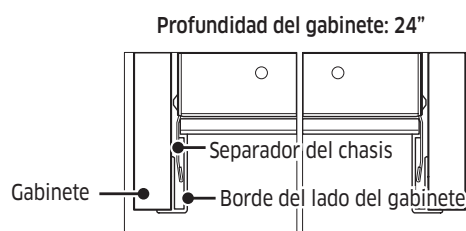
(TH) M4x14 12 uds.

11. Colocación del borde del gabinete

- Borde del lado del gabinete: Coloque el borde entre el refrigerador y el gabinete.



Profundidad del gabinete: 25"



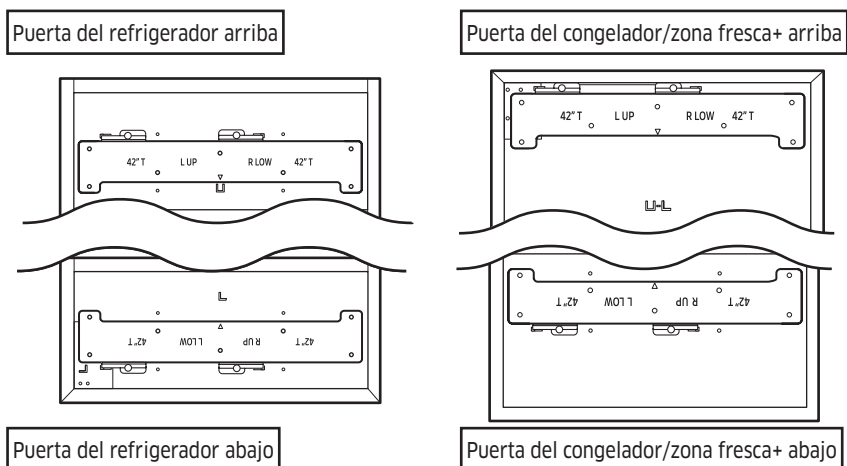
Profundidad del gabinete: 24"

12. Ajuste de los soportes del panel

Ajuste los soportes del panel a la parte superior e inferior del panel.

Panel personalizado: STS

Coloque 10 tornillos en los soportes superiores e inferiores como se ilustra en el gráfico. (Los otros orificios en los laterales de los soportes son para otra aplicación).



(FH) M4x14 10 uds.

SUP: 5 uds. / INF: 5 uds.



(FH) M4x14 10 uds.

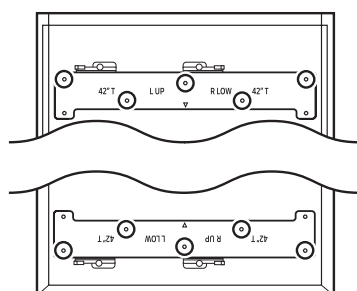
SUP: 5 uds. / INF: 5 uds.

Instrucciones de instalación

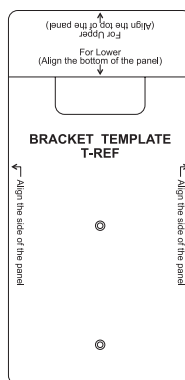
Panel personalizado: Madera, otro

- La plantilla le indica la posición del soporte y los orificios.
- Marque la posición de los orificios en cada esquina del panel de acuerdo con la plantilla e inserte los tornillos.

Puerta del refrigerador



Plantilla

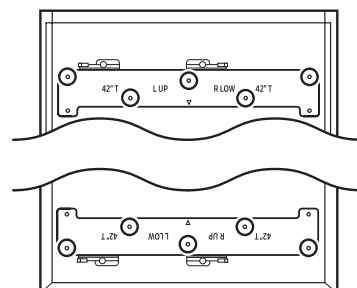


(FH) M4x14 10 uds.

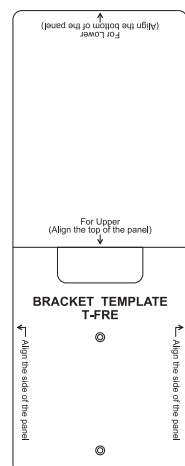
SUP: 5 uds. /

INF: 5 uds.

Puerta del congelador/zona fresca+



Plantilla



(FH) M4x14 10 uds.

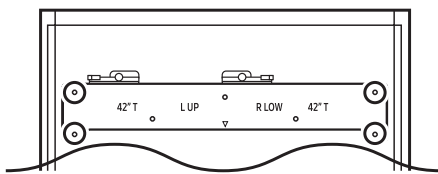
SUP: 5 uds. /

INF: 5 uds.

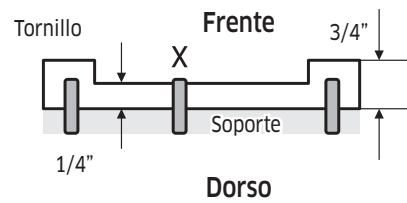
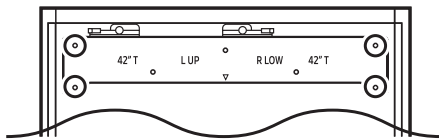
Panel personalizado: Empotrado, otro

Si, por el tipo de diseño, el panel no pudiera ajustarse al centro del soporte, utilice los orificios adecuados en los laterales del soporte para ajustar el panel.

Puerta del refrigerador



Puerta del congelador/zona fresca+



(FH) M4x14 8 uds.

SUP: 4 uds. / INF: 4 uds.

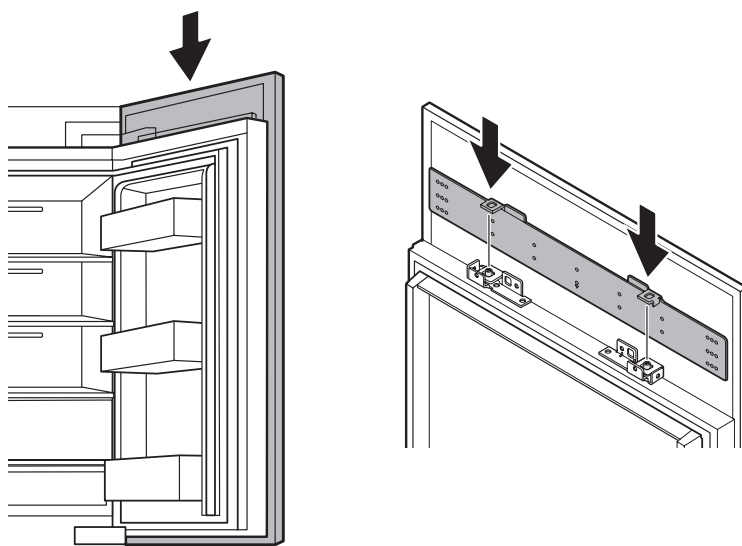
Instrucciones de instalación

13. Colgar un panel personalizado

⚠ ADVERTENCIA

Si instala un panel personalizado antes de ajustar el electrodoméstico al gabinete, el panel personalizado podría caerse. A fin de evitarlos, debe seguir las instrucciones de instalación.

- Cuelgue el soporte del panel a la altura del tornillo de ajuste. (Ver el gráfico)



14. Alineación del panel

NOTA

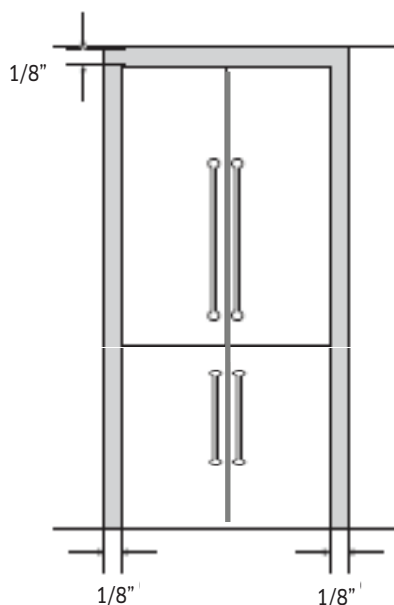
Cada panel personalizado se provee con 12 tornillos especiales para un ajuste preciso. Utilice la mínima cantidad de tornillos para ajustar el panel personalizado con el gabinete. Una vez finalizado el ajuste, fije el panel personalizado con la tuerca superior.

Hay dos mecanismos de ajuste de los paneles en la parte superior y dos en la parte inferior de la puerta.

Ajuste el panel de modo que se alinee con los gabinetes cercanos.

El espacio entre el gabinete y el panel debe ser de:

- 1/8" (3 mm) en la parte superior
- 1/8" (3 mm) en el lateral



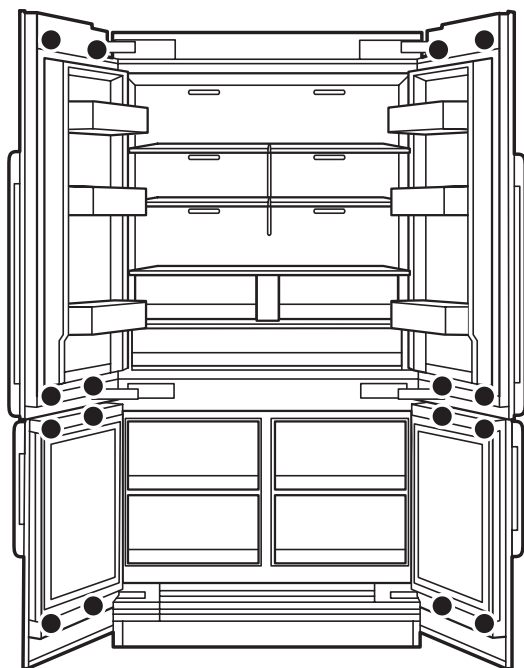
Parte superior de la puerta

1. Utilice tornillos de rosca doble para alinear el panel de la puerta.
2. Ajuste un tornillo lateral (ver el gráfico) para colocar el panel lado a lado.
3. Ajuste el Tornillo 1 (ver el gráfico) para mover el panel hacia adelante/atrás; ajuste el Tornillo 2 para fijar el panel en su lugar.

Instrucciones de instalación

1. Ajuste un perlo de doble rosca (ver el gráfico) para mover el panel hacia arriba y hacia abajo.
2. Ajuste un tornillo lateral (ver el gráfico) para colocar el panel lado a lado.
3. Ajuste el tornillo (hacia atrás) (ver el gráfico) para mover el panel hacia adelante/atrás; ajuste el tornillo (hacia adelante) para fijar el panel en su lugar.

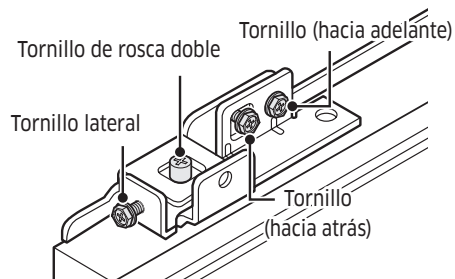
● Mecanismos de ajuste de panel



Cada uno 12 tornillos por puerta

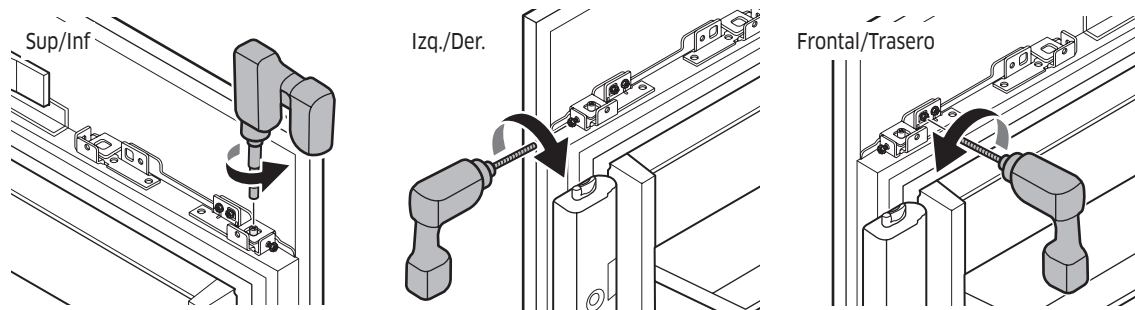


M6x12 12 uds.

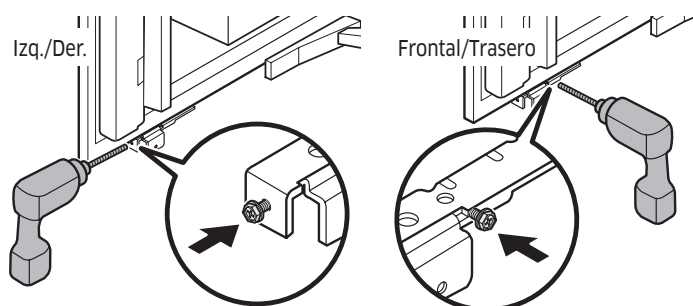


Mecanismo de ajuste de panel

Parte superior de la puerta

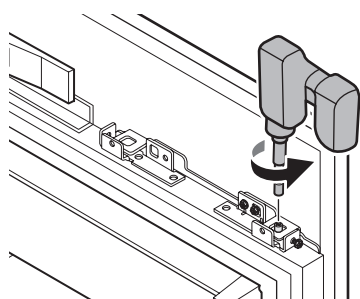


Parte inferior de la puerta



Ajuste del panel a la puerta

Ajuste las tuercas correctamente a los tornillos de tuercas doble.



M13

8 uds.

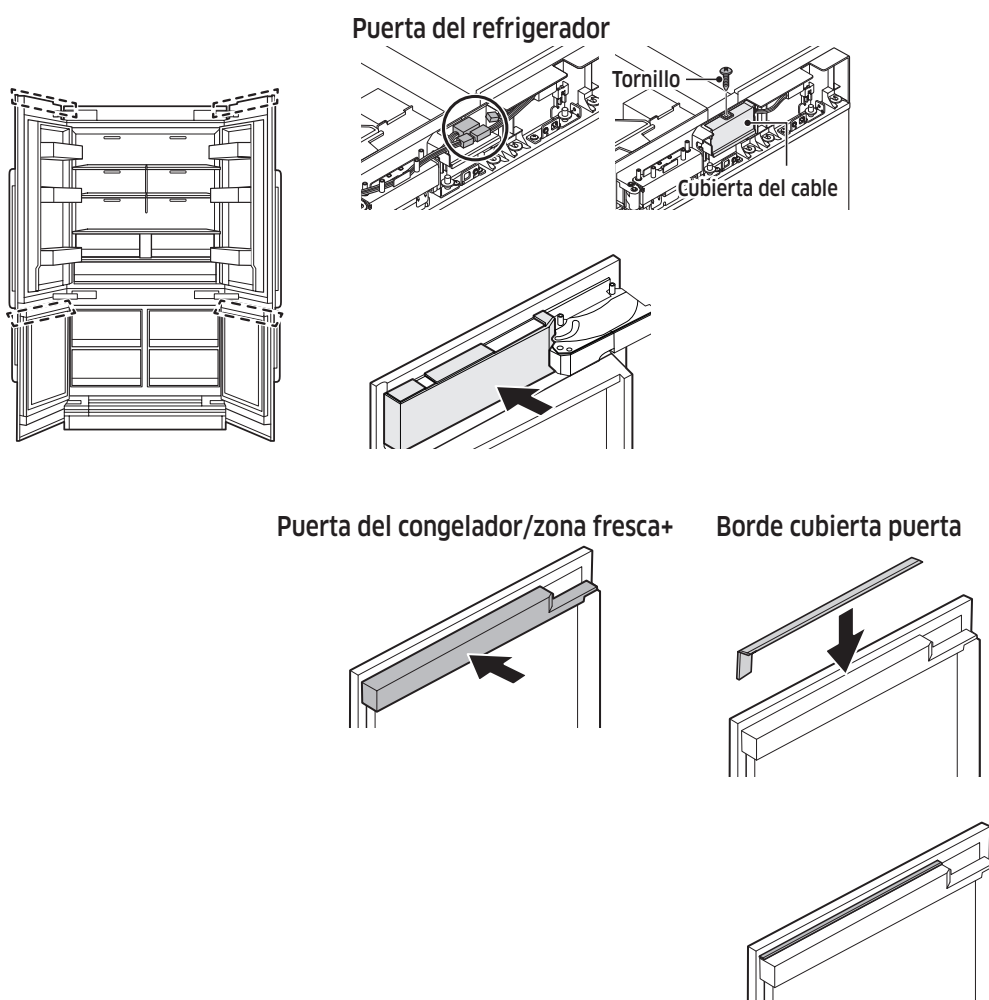
Dos tuercas por conjunto

Instrucciones de instalación

15. Colocación de las cubiertas interiores de la puerta

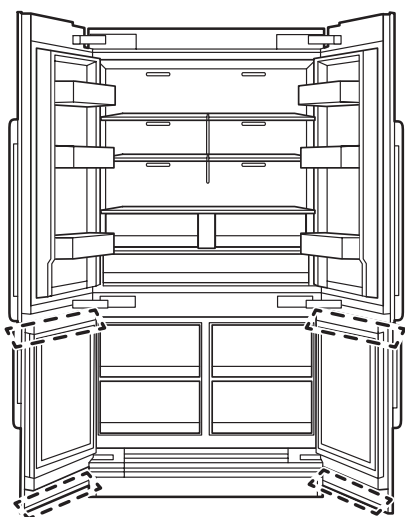
1. Cubierta superior de la puerta

- Conecte los conectores del gabinete para separar la cubierta superior de la puerta. (Puerta izquierda del refrigerador)
- Fije la cubierta del cable. (Puerta izquierda del refrigerador)
- Presione en la dirección de la flecha.

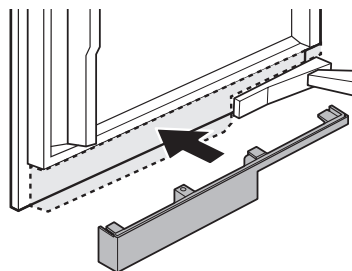


2. Cubierta inferior de la puerta

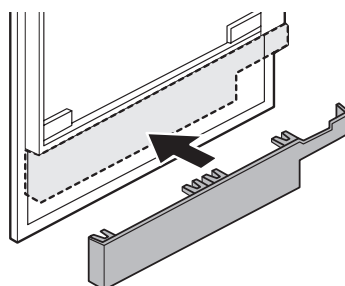
Presione en la dirección de la flecha.



Puerta del refrigerador



Puerta del congelador/zona fresca+



Instrucciones de instalación

16. Conexión de la tubería de agua

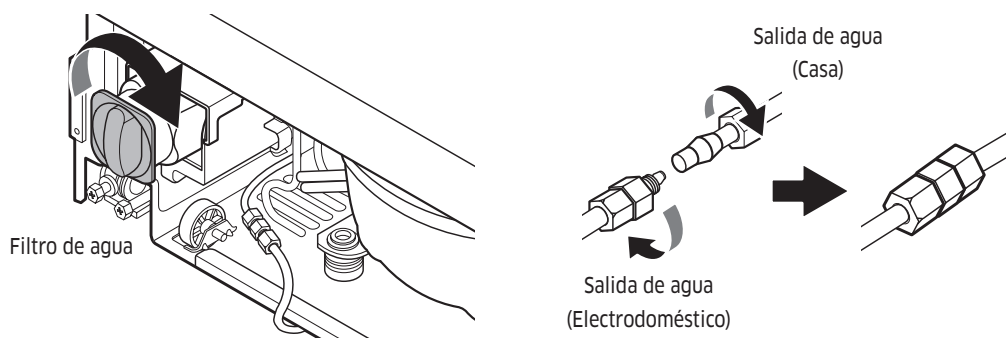
A fin de evitar pérdidas de agua y daños ocasionados por dichas pérdidas, tenga la precaución de no enroscar la tubería de agua.

Después de conectar la manguera de agua en el piso, abra la válvula del agua en la parte posterior del electrodoméstico y verifique la conexión de la tubería de suministro de agua y asegúrese de que no haya pérdidas.

Para llevar a cabo la conexión, necesita adquirir varios elementos. Posiblemente su ferretería local los venda todos juntos en un equipo.

| | |
|---------------------|---|
| Tubería de cobre | <ul style="list-style-type: none">• Tubería de cobre de 1/4"• Tuerca de compresión de 1/4" (1)• Férula (2) |
| Tubería de plástico | <ul style="list-style-type: none">• Tubería de plástico de 1/4" → Extremo moldeado (bulbo)• Tuerca de compresión de 1/4" (1) |

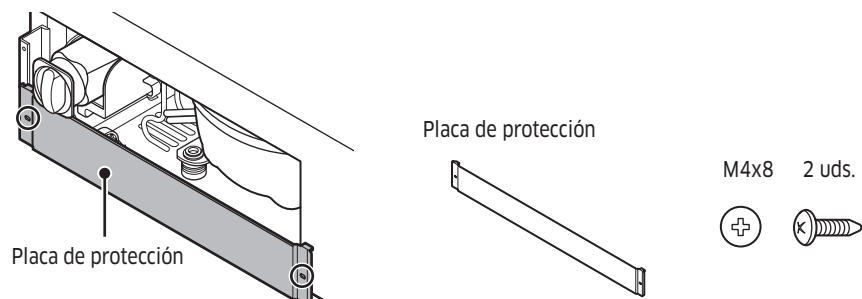
1. Retire la tapa de la conexión del electrodoméstico.
2. Doble la tubería de agua de acuerdo con la ubicación de la conexión en el electrodoméstico.
3. Deslice la tuerca de unión y selle la tubería de agua.
4. Con una llave abierta, ajuste la tuerca de unión y tenga cuidado de no ajustarla de más.
5. Abra la válvula de cierre y la válvula de suministro.
6. Verifique la conexión de la válvula de corte del electrodoméstico a fin de detectar pérdidas.
7. Empuje la tubería de agua dentro del tubo tanto como sea posible.



17. Colocación de la placa de protección y el zócalo

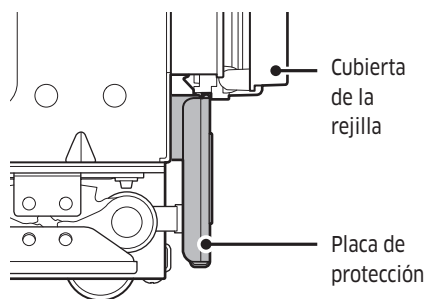
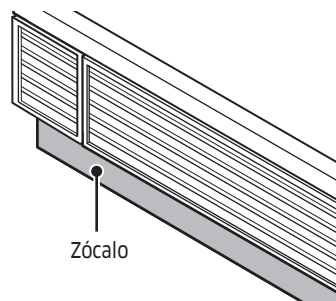
Colocación de la placa de protección

- Inserte los tornillos de ambos lados para fijar la placa de protección.

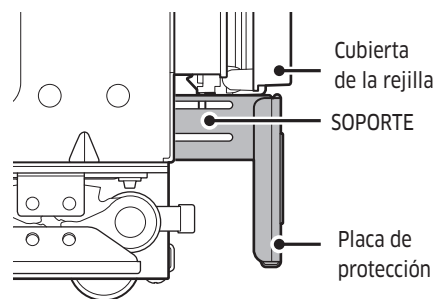


Colocación del zócalo

- La altura del producto puede ajustarse entre 83 3/8" y 84 3/8".
- Si desea utilizar el zócalo Dacor provisto (4"), tenga en cuenta que está diseñado para un producto de 83 7/8" de altura y un gabinete de 84" de altura.
- Si desea utilizar un zócalo no provisto por Dacor, ajuste la altura de este según sea necesario.
- Puede extender el soporte para mover la placa de protección un máximo de 32 mm hacia el frente. Para extender el soporte, primero debe quitar la tapa de la rejilla.



Configuración predeterminada de fábrica



32 mm hacia el frente

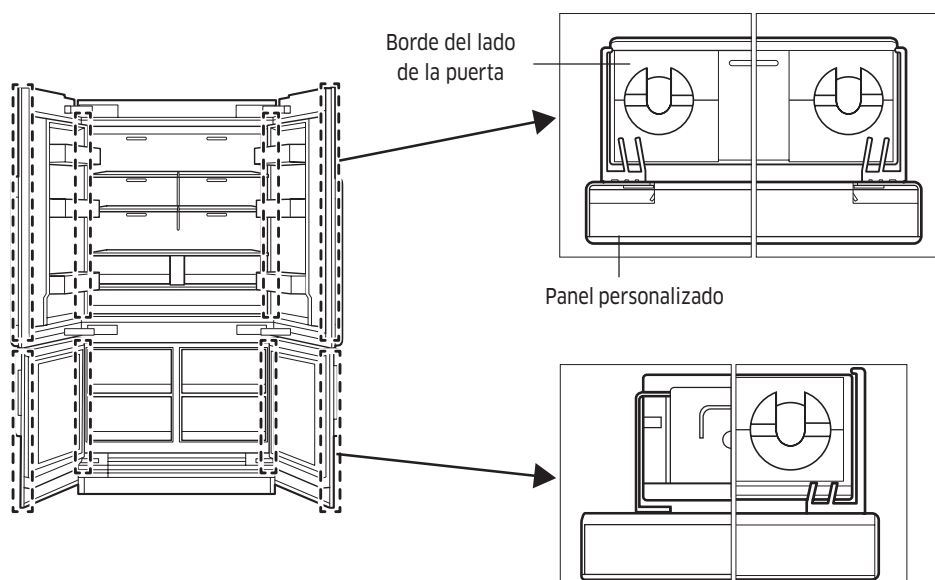
Instrucciones de instalación

18. Colocación del borde de la puerta

- Borde lateral de la puerta: Coloque el borde en el lateral de la puerta. Inserte el borde del lado de la puerta en paralelo con la parte de arriba de la cubierta superior de la puerta.

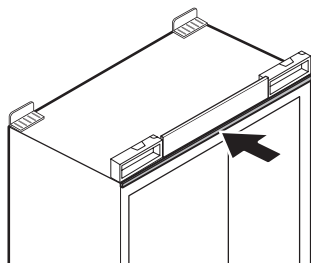
ADVERTENCIA

Vuelva a verificar si surge algún problema después de la instalación.



19. Instalación del borde de la cubierta superior

Instale el borde de la cubierta superior en la parte inferior de esta.



20. Retirada del empaque interno

Retire el EPS y la cinta.

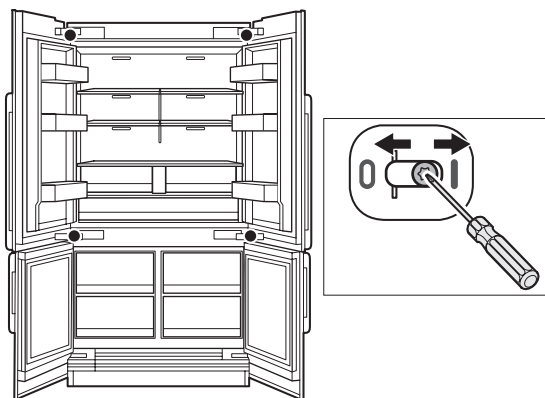
21. Ajuste del resorte de la puerta

Ajuste la tensión del resorte de la puerta de acuerdo con el tamaño del producto.

Con un destornillador con punta de estrella, gire el tornillo de ajuste.

I = presión máxima del resorte

0 = sin tensión del resorte



Instrucciones de instalación

22. Limpieza

Retire el vinilo de protección y limpie el panel personalizado.

23. Lista de verificación de instalación

Asegúrese de que el refrigerador funcione adecuadamente y de que el panel personalizado de la puerta esté alineado con los gabinetes cercanos.

ADVERTENCIA

- El instalador debe completar la siguiente lista de verificación a fin de garantizar que el refrigerador esté instalado de manera segura y correcta, funcione correctamente y que no se haya pasado por alto ninguna parte de la instalación.
- La instalación adecuada es responsabilidad del dueño de casa. **La importancia de una instalación adecuada de su electrodoméstico Dacor es primordial.**

Lista de verificación de instalación

- ¿La unidad se ha inspeccionado a fin de detectar daños estéticos?
- ¿La tubería de suministro de agua se ha instalado correctamente de acuerdo con las especificaciones y se ha verificado que no existan pérdidas?
- ¿La unidad está adecuadamente alineada con los gabinetes adyacentes?
- ¿Todas las puertas, cajones y estantes funcionan sin problemas ni interferencias?
- ¿Toda la cinta de embalaje y la literatura se han retirado de dentro y fuera del electrodoméstico?
- ¿El cable de alimentación está conectado a un tomacorriente de tres clavijas y con conexión a tierra que cumple con las especificaciones eléctricas?
- ¿La unidad se ha nivelado adecuadamente?
- ¿Se ha instalado correctamente el soporte antivuelco?
- ¿Todos los componentes del refrigerador funcionan correctamente?
- ¿La garantía se ha activado en línea o se ha completado la tarjeta de garantía y se ha enviado por correo?

Notas

Notas

Notas



DA68-03621F-04

dacor[®]

Dacor • 14425 Clark Avenue, City of Industry, CA 91745 • Phone: (833) 353-5483 • Fax: (626) 403-3130 • www.dacor.com



dacor[®]

Instructions d'installation

Réfrigérateur encastré

DRF42*

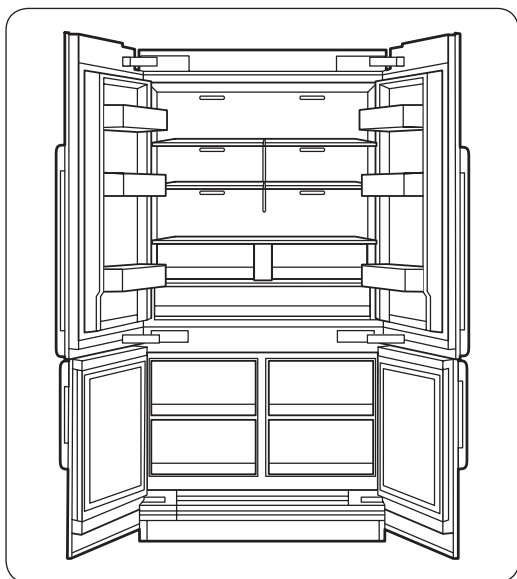
Table des matières

| | |
|--|-----------|
| Avant de commencer... | 4 |
| Important | 4 |
| Informations relatives au service client | 5 |
| En cas de besoin... | 5 |
| Consignes importantes relatives à la sécurité | 6 |
| Avertissement de la proposition 65 de l'État de Californie (États-Unis uniquement) | 6 |
| Consignes de sécurité générales | 7 |
| Consignes et avertissements de sécurité | 11 |
| Sécurité lors de l'installation | 11 |
| Spécifications relatives à l'installation | 13 |
| Caractéristiques techniques de l'appareil | 14 |
| Caractéristiques techniques du panneau personnalisé | 15 |
| Caractéristiques techniques de la poignée | 16 |
| Installation | 18 |
| Exigences relatives à l'installation | 19 |
| Préparation à l'installation | 19 |
| Mise à la terre du réfrigérateur | 23 |
| Conditions relatives à la pression de l'eau | 24 |
| Raccordement de l'alimentation en eau principale | 25 |
| Conditions spécifiques au meuble | 26 |

| | |
|---|-----------|
| Instructions d'installation | 27 |
| 1. Déballage du réfrigérateur | 27 |
| 2. Déplacement du réfrigérateur | 28 |
| 3. Préparation à l'installation | 29 |
| 4. Fixation du support antibasculement | 29 |
| 5. Retrait du cache supérieur et inférieur de la porte, plinthe | 32 |
| 6. Fixer le cache supérieur du réfrigérateur | 33 |
| 7. Ajustement de l'angle d'ouverture de la porte | 34 |
| 8. Placer le réfrigérateur dans son caisson | 35 |
| 9. Mise à niveau du réfrigérateur | 37 |
| 10. Fixation du réfrigérateur | 38 |
| 11. Fixation de l'habillage du meuble | 38 |
| 12. Fixation des supports du panneau | 39 |
| 13. Fixation d'un panneau personnalisé | 42 |
| 14. Alignement du panneau | 43 |
| 15. Fixation des caches intérieurs de la porte | 46 |
| 16. Raccordement de la conduite d'eau | 48 |
| 17. Fixation de la plinthe et de la patte | 49 |
| 18. Fixation de l'habillage de la porte | 50 |
| 19. Fixation du cache supérieur de l'habillage | 51 |
| 20. Retrait de l'emballage intérieur | 51 |
| 21. Ajustement du ressort de la porte | 51 |
| 22. Nettoyage | 52 |
| 23. Liste de vérifications pour l'installation | 52 |

Avant de commencer...

Important



Installateur

- Par mesure de sécurité et pour atténuer les problèmes, lisez attentivement ce manuel, dans son intégralité, avant de procéder à l'installation. L'utilisateur doit pouvoir consulter ce manuel.
- Notez les numéros de série/modèle de l'appareil dans ce manuel à titre de référence pour l'entretien/maintenance.
- Les numéros de série/modèle figurent sur l'étiquette de données dans le compartiment du réfrigérateur.

Utilisateur

- Conservez ce manuel afin vous puissiez vous y référer ultérieurement, tout comme les techniciens, le personnel de service, etc.

CONSERVEZ CES INSTRUCTIONS

Informations relatives au service client

En cas de besoin...

Pour toute question ou tout problème relatif à l'installation, contactez votre revendeur Dacor® ou l'équipe du service client Dacor. Si votre appareil Dacor est sous garantie, appelez le service différencié Dacor. Préparez les numéros de série/modèle de votre appareil avant d'appeler.

(Ces numéros figurent sur l'étiquette de données du montant droit de la porte à l'intérieur du réfrigérateur.)

Service différencié Dacor (réparations sous garantie uniquement)

Téléphone : (833) 353-5483 (États-Unis et Canada)

du lundi au vendredi, de 05 h 00 à 17 h 00 (heure du Pacifique)

Service client Dacor

Téléphone : (833) 353-5483 ex. 2813 (États-Unis et Canada)

du lundi au vendredi, de 05 h 00 à 17 h 00 (heure du Pacifique)

Site Web : www.dacor.com

Toutes les spécifications peuvent être modifiées sans préavis. Dacor n'est pas responsable des changements apportés aux spécifications.

© 2017 Dacor, tous droits réservés.

CONSERVEZ CES INSTRUCTIONS

Consignes importantes relatives à la sécurité

Les Consignes importantes relatives à la sécurité et les avertissements fournis dans les présentes instructions ne sont pas destinés à traiter tous les problèmes et conditions possibles pouvant survenir. Faites preuve de bon sens et de précaution lors de l'installation, de la maintenance ou de l'utilisation de cet appareil ou de tout autre.

Prenez toujours contact avec l'équipe du service client Dacor en cas de problèmes ou de conditions que vous ne comprenez pas. Voir **Informations relatives au service client**.

Étiquettes et symboles de sécurité

Ces alertes ont pour but d'attirer votre attention sur des éléments importants dans le manuel.

Dès lors que vous voyez ces symboles ou étiquettes, lisez attentivement le message correspondant avant de poursuivre.

DANGER

Dangers immédiats qui **PROVOQUERONT** des blessures graves voire mortelles.

AVERTISSEMENT

Pratiques dangereuses ou risquées qui **POURRAIENT PROVOQUER** des blessures graves voire mortelles.

ATTENTION

Pratiques inadaptées ou dangereuses qui **SERAIENT SUSCEPTIBLES DE PROVOQUER** des blessures légères ou des dommages matériels.

Avertissement de la proposition 65 de l'État de Californie (États-Unis uniquement)

AVERTISSEMENT : Ce produit contient des substances chimiques considérées par l'État de Californie comme étant cancérigènes ou à l'origine de malformations congénitales ou d'autres troubles de la reproduction.

CONSERVEZ CES INSTRUCTIONS

AVERTISSEMENT : gaz réfrigérant R600a

Cet appareil contient du réfrigérant isobutane (R-600a), un gaz naturel présentant une compatibilité écologique élevée, mais qui est aussi inflammable. Veuillez respecter les consignes de sécurité suivantes :

- Lorsque vous manipulez, installez et utilisez l'appareil, veillez à éviter d'endommager le tube du réfrigérant.
- L'entretien doit être effectué par un membre du personnel d'entretien autorisé par le fabricant et les pièces des composants doivent être remplacées par des composants autorisés par le fabricant.
- Les produits de réfrigération contiennent des réfrigérants devant être retirés préalablement à la mise au rebut de l'appareil, conformément aux lois fédérales.
- N'obstruez pas les orifices de ventilation à l'intérieur de l'appareil ou de son caisson ou à l'intérieur de la structure encastrée.
- Afin d'éviter la création d'un mélange gaz-air inflammable lorsqu'une fuite se produit dans le circuit frigorifique, la taille de la pièce où l'appareil peut être placé doit être déterminée en fonction de la quantité de gaz réfrigérant utilisée. La pièce doit avoir un volume de 35,3 pi³ pour chaque 8 g de gaz réfrigérant R-600a à l'intérieur de l'appareil.
- L'emplacement choisi pour l'installation ne doit pas être exposé à la lumière directe du soleil et ne doit pas être placé à proximité d'une source de chaleur ou d'un autre appareil électrique, par exemple d'une cuisinière, d'un four, d'une plaque chauffante ou encore d'un radiateur.
- Pour des raisons de sécurité, si vous utilisez deux produits côte à côte, assurez-vous d'utiliser des produits certifiés dans les atmosphères contenant des gaz explosifs.
- N'utilisez pas de dispositifs mécaniques ou autres pour accélérer le processus de dégivrage.
- N'endommagez pas le circuit de réfrigération.
- N'utilisez pas d'appareils électriques à l'intérieur du compartiment de stockage des aliments de l'appareil.

Consignes de sécurité générales

DANGER

IMPORTANT :

Afin d'éviter que des enfants ne s'étouffent ou ne se retrouvent coincés lors de la mise au rebut d'un appareil usé :

- Retirez les portes.
- Ne retirez pas les grilles afin que les enfants ne puissent pas facilement monter dans le réfrigérateur.
- Coupez les broches de la fiche d'alimentation et jetez-les.
- Débranchez le câble d'alimentation et mettez-le au rebut séparément de l'appareil usé.

CONSERVEZ CES INSTRUCTIONS

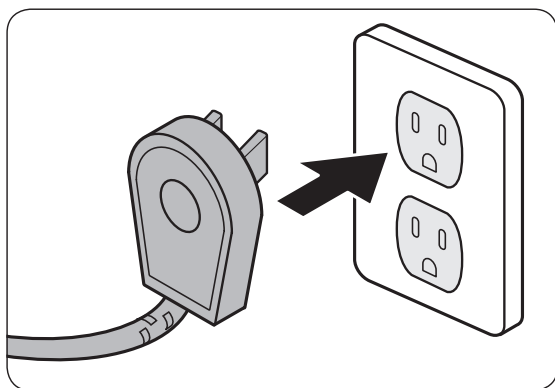
Consignes importantes relatives à la sécurité

Afin d'éviter tout risque d'explosion ou d'incendie, ne stockez pas et n'utilisez pas de vapeurs et de liquides combustibles, inflammables ou explosifs (tels que de l'essence) à l'intérieur ou à proximité de cet appareil ou de tout autre. Conservez également tous les éléments qui risquent d'exposer (aérosols par exemple) à distance des brûleurs de table de cuisson, des fours et des hottes. Ne stockez pas de matériaux inflammables ou explosifs dans des meubles ou des endroits adjacents.

⚠ AVERTISSEMENT

IMPORTANT : Cet appareil est équipé d'une fiche électrique de mise à la terre à 3 broches pour protéger contre les risques de chocs électriques. Elle doit être branchée dans une prise électrique de mise à la terre dédiée. Si seule une prise électrique à 2 broches est disponible, il incombe au client de la remplacer par une prise électrique de mise à la terre à 3 broches dédiée et adaptée.

- N'entortillez pas et ne pincez pas le cordon d'alimentation de l'appareil.
- Ne débranchez jamais l'appareil en tirant sur le cordon d'alimentation.
- Maintenez toujours fermement la fiche pour la débrancher de la prise électrique.
- Débranchez l'appareil lorsque vous ne l'utilisez pas.
- N'installez pas, ne réparez pas, ne modifiez pas et ne remplacez pas toute pièce de l'appareil, sauf mention contraire indiquée dans les documents d'accompagnement.
- Toutes les autres opérations d'entretien doivent être effectuées par un technicien de service qualifié.



NE coupez pas ou ne retirez pas la troisième broche (de mise à la terre) du cordon d'alimentation.

N'utilisez pas de fiche d'adaptation.

N'utilisez pas un cordon d'alimentation effiloché ou endommagé.

NE branchez pas l'appareil à une rallonge.

Maintenez le cordon d'alimentation éloigné des surfaces chauffées.

📄 REMARQUE

- Utilisation d'une prise électrique de mise à la terre.
- L'utilisation d'un disjoncteur différentiel de fuite à la terre (DDFT) n'est pas recommandée.

⚠ AVERTISSEMENT

Pour réduire le risque d'incendie, de choc électrique, de blessures graves ou de mort lors de l'utilisation de votre appareil, suivez les consignes de sécurité de base, ainsi que les suivantes :

CONSERVEZ CES INSTRUCTIONS

Si vous recevez un appareil endommagé, contactez immédiatement votre revendeur ou constructeur.
N'installez pas ou n'utilisez pas un appareil endommagé.

Assurez-vous que cet appareil a été correctement installé conformément aux instructions d'installation.

Assurez-vous d'installer les prises en fonction de l'alimentation électrique.

L'équipement de réfrigération et les réfrigérants doivent être mis au rebut de façon appropriée par un professionnel et conformément aux lois et réglementations locales visant à protéger l'environnement. Cela s'applique à votre appareil usé et à votre nouvelle unité une fois que celle-ci aura atteint la fin de sa durée de vie. NE mettez pas l'appareil au rebut dans une décharge ou avec les déchets urbains. Contactez les déchetteries locales pour vous renseigner sur la mise au rebut des déchets recyclables.

Lorsque vous manipulez, déplacez, utilisez ou mettez au rebut l'appareil, veillez à ne pas endommager le système de réfrigération.

N'installez pas ou n'utilisez pas l'appareil en extérieur ou dans un endroit humide. Cet appareil n'est pas destiné à être installé dans un véhicule ou bateau de plaisance.

Mettez les emballages hors de portée des enfants. Ils pourraient s'étouffer avec les sacs et les sachets en plastique.

Branchez cet appareil à un circuit 115 V, 15 A contrôlé par un disjoncteur ou un fusible. Cet appareil doit disposer de son propre circuit de mise à la terre séparé.

N'entortillez pas et ne pincez pas le cordon d'alimentation de l'appareil. Ne débranchez jamais l'appareil en tirant sur le cordon d'alimentation. Maintenez toujours fermement la fiche pour la débrancher de la prise électrique.

Débranchez l'appareil lorsque vous ne l'utilisez pas.

N'installez pas, ne réparez pas, ne modifiez pas et ne remplacez pas toute pièce de l'appareil, sauf mention contraire indiquée dans les documents d'accompagnement. Toutes les autres opérations d'entretien doivent être effectuées par un technicien de service qualifié.

Avant d'effectuer toute opération d'entretien, coupez l'alimentation sur le tableau du disjoncteur.

Cet appareil n'est pas conçu pour être utilisé par des personnes (y compris des enfants) ayant des capacités physiques ou sensorielles réduites, ou ayant un manque d'expérience et de connaissances, à moins qu'elles ne soient surveillées par une personne responsable de leur sécurité. Les enfants doivent être surveillés par mesure de sécurité.

Ne permettez à personne, y compris à des enfants, de s'asseoir ou de grimper sur toute pièce de l'appareil, y compris la porte. Le non-respect de cette consigne peut entraîner des dommages et des blessures importants, voire la mort.

CONSERVEZ CES INSTRUCTIONS

Consignes importantes relatives à la sécurité

Si le cordon d'alimentation est endommagé, il doit être remplacé par le fabricant ou un technicien de service qualifié par mesure de sécurité. Ne trafiquez pas les commandes.

Nettoyer régulièrement cet appareil conformément aux instructions de la section Entretien et nettoyage du manuel d'utilisation. Nettoyez régulièrement le bac à glaçons ou le tiroir.

Lorsque le congélateur est en marche, ne touchez pas les surfaces internes en inox si vous avez les mains mouillées ou humides car votre peau pourrait rester coller aux surfaces très froides.

N'utilisez aucun type d'équipement électrique à l'intérieur des compartiments du réfrigérateur ou du congélateur

N'obstruez pas les orifices de ventilation de l'appareil.

Afin d'éviter que l'appareil ne bascule, il est impératif de fixer l'appareil au mur avec les deux supports antibasculement fournies.

N'utilisez cet appareil que conformément à l'usage auquel il est destiné : conserver des aliments et des boissons. Il n'est pas destiné à un usage commercial ou industriel.

Lorsque vous installez le boîtier des composants électriques, vérifiez si celui-ci est endommagé ou non par un choc électrique.

Ouvrez et tenez la poignée lorsque vous ouvrez et fermez la porte.

Lorsque vous ouvrez et fermez la porte, veillez à ne pas mettre vos mains dans le seuil.

CONSERVEZ CES INSTRUCTIONS

Consignes et avertissements de sécurité

Sécurité lors de l'installation

Emplacement et sécurité lors de l'installation

AVERTISSEMENT

- Avant d'installer le réfrigérateur, raccordez-le à une prise de courant et allumez l'appareil pour vous assurer qu'il fonctionne.
- Choisissez un emplacement éloigné de toute source de chaleur (radiateur, chaudière ou lumière directe du soleil).
- Installez l'appareil à un endroit où l'air circule librement et où le réfrigérateur peut bien ventiler.
- Installez l'appareil de sorte que l'air circule sans obstruction au niveau de la grille d'aération avant. Si la circulation de l'air ne peut pas se faire, cela peut interférer avec le bon fonctionnement de l'appareil.
- Les animaux venant de l'extérieur (rongeurs) peuvent ronger le cordon d'alimentation et provoquer un incendie. Par conséquent, installez l'appareil à un endroit non accessible aux animaux.
- Si le meuble est composé d'un matériau souple (ex : plâtre, etc.), sa structure peut être fragile et risque d'être endommagée. Par conséquent, utilisez un meuble composé d'un matériau fort et solide.
- Installez le réfrigérateur avec une équipe d'au moins 2 personnes.
- Reportez-vous aux dimensions du meuble et préparez ce dernier pour assurer une circulation appropriée de l'air.
- Utilisez un meuble qui ne va pas se déformer à cause de la chaleur ou de l'humidité émise par l'appareil lors de l'ouverture et la fermeture du réfrigérateur.

REMARQUE

Ce réfrigérateur est un modèle de type "encastré", ce qui signifie que le réfrigérateur impose une installation à l'intérieur d'un renforcement dans un meuble de cuisine existant.

Avant de déplacer le réfrigérateur, dégagez le chemin vers l'emplacement d'installation.

Comparez toutes les dimensions de l'appareil et le rayon de basculement avec celles des portes, des couloirs, des escaliers, des recoins, etc. afin de vous assurer que vous ayez un chemin clairement défini.

AVERTISSEMENT



Risque de basculement

Cet appareil est relativement lourd au niveau de la partie supérieure et peut basculer s'il n'est pas installé de façon sécurisée.

Maintenez les portes fermées avec du ruban adhésif jusqu'à ce que le réfrigérateur se trouve dans sa position finale et qu'il est prêt à être fixé en place.

Faites appel à deux personnes ou plus pour déplacer et installer le réfrigérateur.

Le non-respect de ces consignes peut provoquer des blessures graves voire mortelles.

Consignes et avertissements de sécurité

 **DANGER**



Risque d'explosion

Tenez les matériaux et vapeurs inflammables (essence par exemple) à distance du réfrigérateur.

Le non-respect de ces consignes peut provoquer la mort, une explosion ou un incendie.

Spécifications relatives à l'installation

AVERTISSEMENT

Respectez tous les codes gouvernementaux et décrets lors de la programmation et de l'installation. Contactez votre service des bâtiments local pour en savoir plus.

AVERTISSEMENT

Les branchements électriques et de mise à la terre doivent respecter les dispositions applicables du code électrique national et/ou des autres codes électriques locaux.

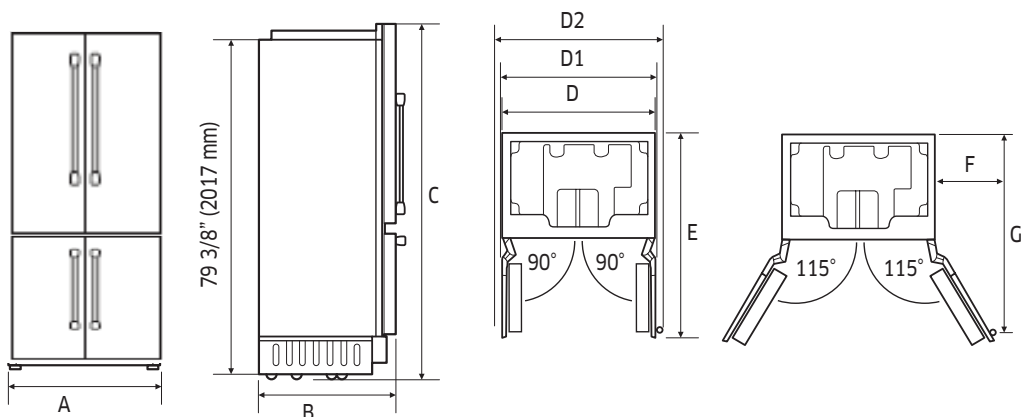
Cet appareil est doté d'un cordon électrique avec une fiche de mise à la terre à trois broches pour une alimentation de 115 V CA, 15 A. Branchez-le dans une prise électrique de mise à la terre à trois broches de 115 V CA uniquement.

À moins qu'un **système de filtration** complet ne soit installé, la cartouche du filtre à eau fournie doit être installée conformément au manuel d'utilisation.

Éteignez la **machine à glaçons** en utilisant la touche **ICE (GLACE)** chaque fois que le robinet d'arrivée d'eau est coupé. La touche **ICE (GLACE)** est allumée lorsque la machine à glaçons est allumée.

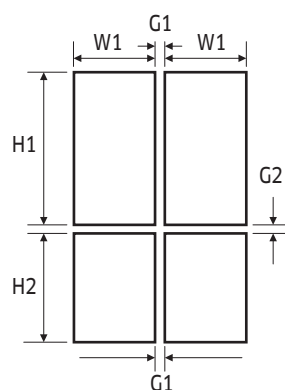
L'appareil est doté d'un système d'éclairage avec des DEL haute intensité. Ne fixez pas ces voyants lorsqu'ils sont allumés afin d'éviter tout dommage oculaire possible.

Caractéristiques techniques de l'appareil



| Désignation | 42" |
|-----------------------------|---------------------|
| A (Largeur) | 41 3/4" (1060 mm) |
| B (Profondeur) | 25" (635 mm) |
| C (Hauteur) | 83 3/8" (2118 mm) |
| D | 41 1/4" (1048 mm) |
| D1 (avec panneau) | 43 11/16" (1110 mm) |
| D2 (avec poignée Modernist) | 47 7/16" (1205 mm) |
| D3 (avec poignée Pro) | 48 11/16" (1237 mm) |
| E | 48 1/2" (1232 mm) |
| F | 22 7/16" (570 mm) |
| G | 47 5/8" (1210 mm) |

Caractéristiques techniques du panneau personnalisé



| Désignation | 42" |
|----------------------|--------------------|
| W1 | 20 25/32" (528 mm) |
| H1 | 49 3/16" (1249 mm) |
| H2 | 30 9/16" (776 mm) |
| G1 | 5/32" (4 mm) |
| G2 | 5/32" (4 mm) |
| Épaisseur du panneau | 3/4" (19 mm) |

Ne dépassez pas la charge maximale que peut supporter le panneau personnalisé. Avant d'installer le panneau, vérifiez la force du matériau du panneau et la charge des fixations du panneau.

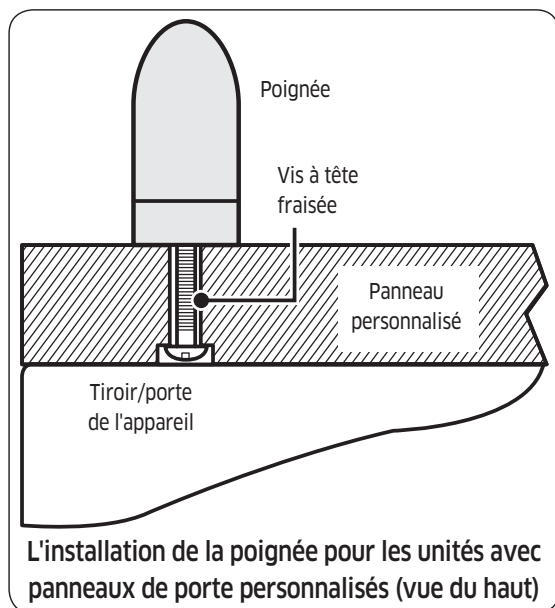
| | 42" |
|---------------------------------------|--|
| Poids maximal du panneau personnalisé | Réfrigérateur : 55 lb (25 kg), Congélateur : 22 lb (10 kg) |

REMARQUE

- L'épaisseur standard du panneau personnalisé est de 3/4" (19 mm).

Caractéristiques techniques de l'appareil

Caractéristiques techniques de la poignée



Avant d'installer les panneaux personnalisés, vous devez d'abord installer les poignées du tiroir/porte.

Avec les modèles dotés d'un panneau personnalisé, vous pouvez choisir le style de poignée qui vous convient le mieux. Les poignées ne sont pas fournies avec les modèles dotés d'un panneau personnalisé. Des kits de poignées sélectionnés sont disponibles auprès de votre revendeur. Dacor ne recommande pas l'utilisation de tirettes individuelles.

la plupart des kits de poignées n'incluent pas les vis de montage nécessaires car la longueur des vis varie selon l'épaisseur du panneau.

L'artisan du panneau doit choisir et acheter les bagues de fixation nécessaires à l'installation. Les têtes des vis doivent être fraisées dans le panneau afin de prévenir toute interférence au cours de l'ajustement de la profondeur.

ATTENTION

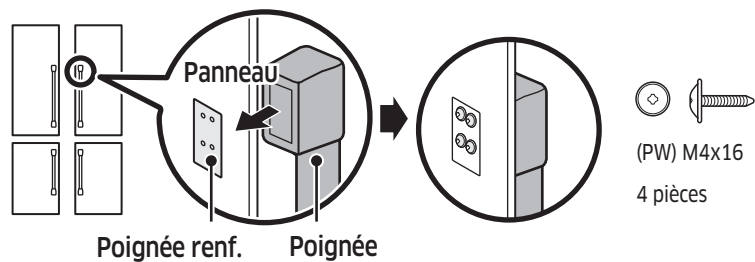
L'installation d'une poignée sur le panneau personnalisé est recommandée. Sans poignée, vous risquez de vous prendre les doigts dans la porte lors de l'ouverture et de la fermeture de la porte.

Fixer la poignée

AVERTISSEMENT

Suivez les instructions ci-après pour fixer la poignée. Dans le cas contraire, la poignée risque d'être endommagée ou de dysfonctionner.

1. Placez le support renforcé de la poignée à l'arrière du panneau de la porte, puis mettez la poignée sur l'avant du panneau de la porte.
2. Comme indiqué, serrez les 4 vis sur chacun des côtés supérieur et inférieur de la poignée. Ne les serrez pas à l'excès.



Installation

AVERTISSEMENT

N'installez pas l'appareil :

- à l'extérieur,
- dans un environnement où de l'eau ruisselle.

L'appareil est très lourd :

T 42" : environ 661 lb / 300 kg

Emplacement de l'installation

L'appareil doit être installé dans une pièce sèche et aérée.

Installation stable

L'appareil est très lourd et tend à basculer en avant lorsque la porte de l'appareil est ouverte.

N'ouvrez pas la porte avant d'être sûr que l'appareil ne peut pas basculer.

Le moyen le plus sûr d'installer l'appareil est d'utiliser les dispositifs antibasculement fournis.

Sol

La surface inférieure doit être mise à niveau et égalisée afin de s'assurer que l'appareil est installé de façon sécurisée et que l'appareil fonctionne correctement.

La surface inférieure doit être constituée de matériaux durs et rigides.

Alignement de l'appareil

Pour s'assurer que l'appareil fonctionne correctement, il doit être mis à niveau de façon appropriée.

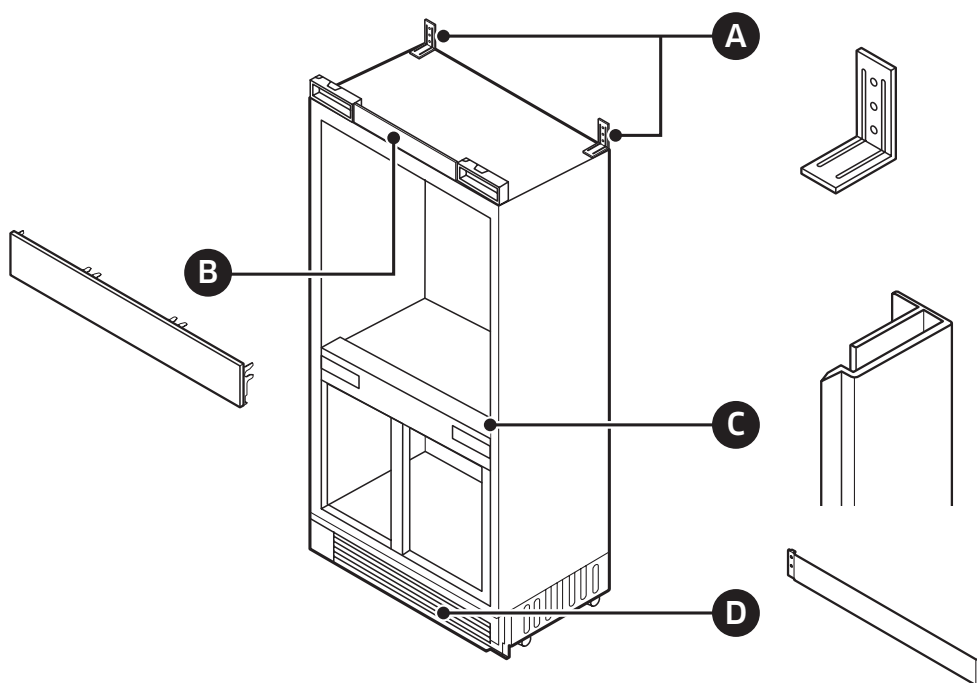
Si l'appareil n'est pas à niveau, de l'eau risque de se déverser au niveau de la machine à glaçons, les glaçons risquent d'être irréguliers ou les portes risquent de ne pas se fermer correctement.

Exigences relatives à l'installation

Préparation à l'installation

Pièces d'installation du meuble

En utilisant le tableau ci-dessous, vérifiez que toutes les pièces d'installation sont présentes au moment du déballage de l'appareil.



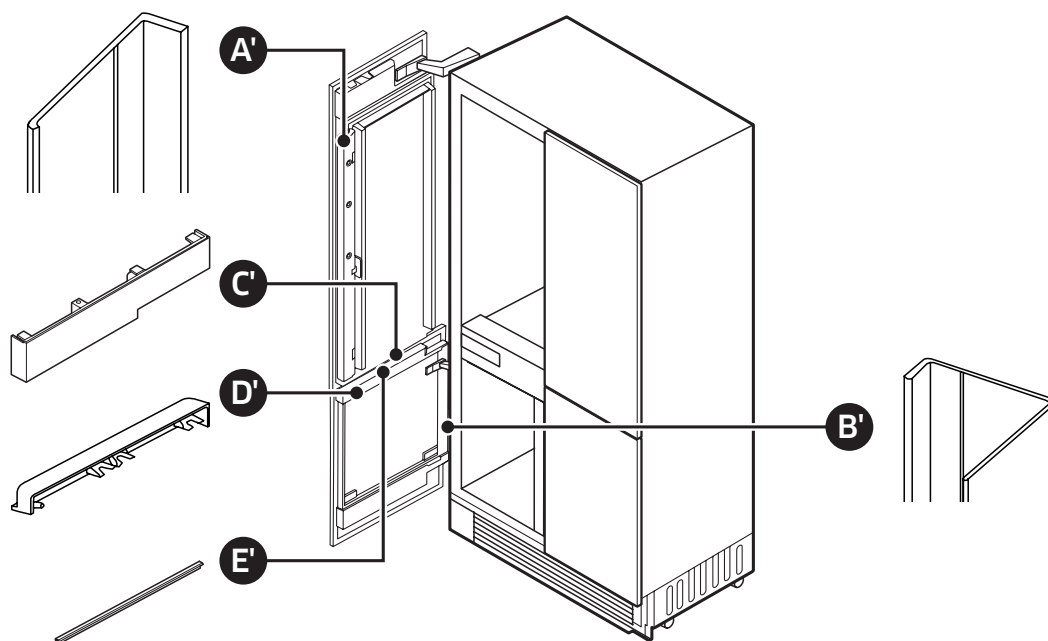
Vérifiez les pièces d'installation au moment du déballage de l'appareil.

| PIÈCES | | Quantité |
|--------|-----------------------------|----------|
| A | SUPPORT ANTIBASCULEMENT | 2 |
| B | CACHE SUPÉRIEUR DU MEUBLE | 1 |
| C | HABILLAGE LATÉRAL DU MEUBLE | 2 |
| D | PLINTHE | 1 |

Exigences relatives à l'installation

Pièces d'installation de la porte







En utilisant le tableau ci-dessous, vérifiez que toutes les pièces d'installation de la porte sont présentes au moment du déballage de l'appareil.



Vérifiez les pièces d'installation au moment du déballage de l'appareil.


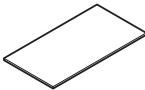
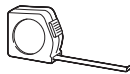


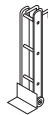

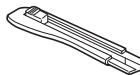




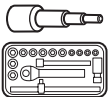

| PIÈCES | | Quantité |
|--------|---|----------|
| A' | HABILLAGE (LATÉRAL) DE LA PORTE G RÉFRIG. | 2 |
| | HABILLAGE (LATÉRAL) DE LA PORTE D RÉFRIG. | 2 |
| | HABILLAGE (LATÉRAL) DE LA PORTE G CONGÉL. | 2 |
| B' | HABILLAGE (LATÉRAL) DE LA PORTE D CONGÉL. | 2 |
| C' | CACHE INFÉRIEUR DE LA PORTE G/D RÉFRIG. | 2 |
| D' | CACHE SUPÉRIEUR DE LA PORTE G/D CONGÉL. | 2 |
| E' | HABILLAGE DU CACHE DE LA PORTE | 2 |

Vis et écrou

| | | | | | |
|---|------------|-----------|---|------------|-----------|
|  | M6x12 | 44 pièces |  | (FH) M4x14 | 40 pièces |
|  | (TH) M4x16 | 12 pièces |  | M4x35 | 6 pièces |
|  | M13 | 8 pièces |  | Ø6x30 | 6 pièces |

Exigences relatives à l'installation

Outils requis

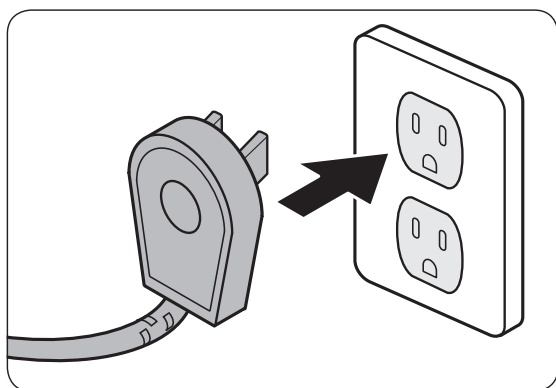
| N° | Outil | N° | Outil |
|----|---|----|--|
| 1 |  Tournevis électrique | 8 |  Tapis de sol de protection |
| 2 |  Mètre ruban | 9 |  Escabeau |
| 3 |  Tournevis à tête plate/ fendue | 10 |  Diable |
| 4 |  Couteau (sécateur) | 11 |  Cutter |
| 5 |  Clé à molette | 12 |  Niveau |
| 6 |  Tournevis cruciforme | 13 |  Tournevis Torx |
| 7 |  Cliquet 3/8" (10 mm), 1/2" (13 mm) | 14 |  Clé mixte 3/8" (10 mm), 1/2" (13 mm) |

Mise à la terre du réfrigérateur

⚠ ATTENTION

Les branchements électriques et de mise à la terre doivent respecter les dispositions applicables du code électrique national et/ou des autres codes électriques locaux.

Cet appareil est doté d'un cordon électrique avec une fiche de mise à la terre à trois broches pour une alimentation de 115 V CA, 15 A. Branchez-le dans une prise électrique de mise à la terre à trois broches de 115 V CA uniquement.



NE COUPEZ ET NE RETIREZ JAMAIS LA TROISIÈME BROCHE (MISE À LA TERRE) DU CORDON D'ALIMENTATION.

N'UTILISEZ PAS UN ADAPTATEUR POUR BRANCHER LE RÉFRIGÉRATEUR À UNE PRISE 2 BROCHES.

N'UTILISEZ PAS DE RALLONGE AVEC CET APPAREIL.

⚠ AVERTISSEMENT



Risque de choc électrique

Branchez l'appareil sur une prise murale 3 broches dédiée reliée à la terre.

Ne retirez pas la broche de mise à la terre.

N'utilisez pas d'adaptateur.

N'utilisez pas de rallonge.

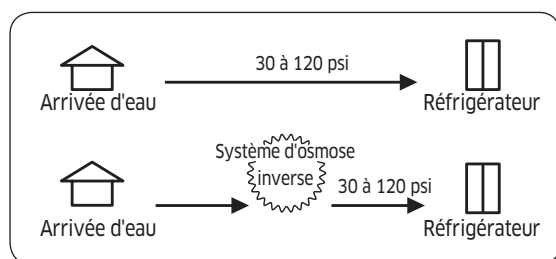
Le non-respect de ces instructions peut entraîner un incendie, un choc électrique voire la mort.

Exigences relatives à l'installation

Conditions relatives à la pression de l'eau

Une arrivée d'eau froide de pression comprise entre 30 et 120 psi (207 et 827 kPa) est nécessaire au bon fonctionnement du distributeur d'eau et de la machine à glaçons.

Si vous avez des questions sur votre pression d'eau, communiquez avec un plombier qualifié autorisé.

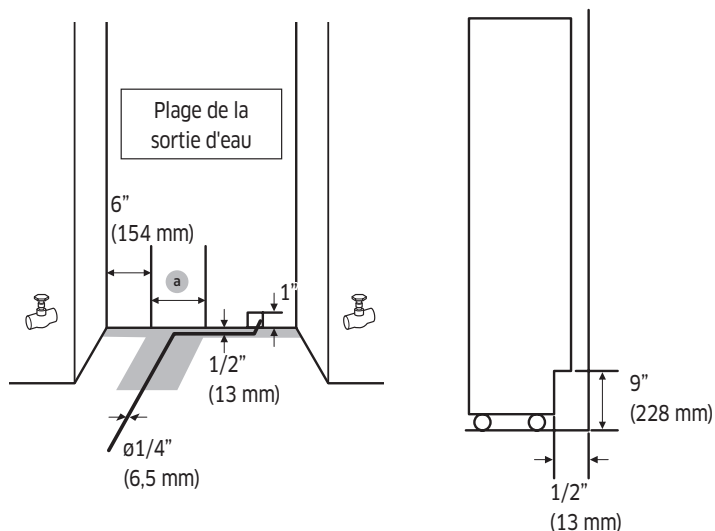


Système d'osmose inverse dans l'alimentation d'eau

IMPORTANT : La pression de l'eau sortant d'un système d'osmose inverse et arrivant dans la vanne d'arrivée d'eau du réfrigérateur doit être comprise entre 30 et 120 psi (207 et 827 kPa).

Raccordement de l'alimentation en eau principale

Avant de raccorder la conduite d'eau du réfrigérateur à l'alimentation en eau principale du domicile, vous devez vous familiariser à votre plomberie.

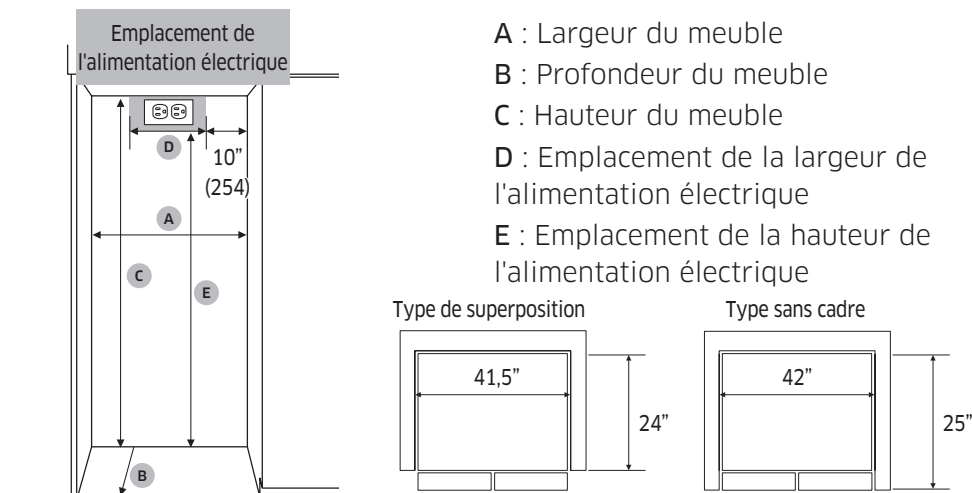


| Désignation | 42" |
|-------------|--------------|
| a | 12" (305 mm) |

1. Décidez comment utiliser au mieux la plomberie Puis,
2. utilisez l'arrivée d'eau principale tout en respectant les exigences suivantes :
 - L'installateur doit fournir le tuyau d'eau de 1/4" (6,5 mm) et tous les raccords.
 - Le tuyau d'eau doit être suffisamment long pour créer du mou et permettre au réfrigérateur d'être déplacé en vue du nettoyage du sol et d'une intervention technique sans devoir commencer par débrancher le tuyau d'eau.
 - Toute nouvelle installation doit satisfaire aux exigences du code de plomberie local.
 - L'arrêt d'eau doit être placé dans le meuble de base de chaque côté du réfrigérateur ou dans un autre endroit facilement accessible.
 - Si le robinet de sectionnement est placé sur le mur derrière le réfrigérateur, il doit être incliné afin que le tuyau d'eau ne soit pas plié lorsque le réfrigérateur est poussé dans sa position finale.
 - Assurez-vous que la conduite d'alimentation en eau se trouve dans la plage indiquée sur les illustrations 1".
 - Le tuyau d'eau est positionné à 1/2" de la paroi arrière et est retiré vers l'avant le long de la zone grisée sur la figure ci-dessus. Le tuyau d'eau doit être collé au sol.

Exigences relatives à l'installation

Conditions spécifiques au meuble



| Désignation | 41,5" | 42" |
|----------------|-----------------|---------------|
| A (Largeur) | 41,5" (1054 mm) | 42" (1067 mm) |
| B (Profondeur) | 24" (610 mm) | 25" (635 mm) |
| C (Hauteur) | 84" (2134 mm) | |
| D | 22" (559 mm) | |
| E | 80" (2032 mm) | |

- B : inclut une épaisseur de panneau de porte standard avec 3/4".
- Une installation à l'intérieur d'un meuble de cette largeur permet à l'habillage du réfrigérateur d'être directement fixé aux meubles autour du produit.
- Pour un meuble d'une largeur égale ou supérieure à 42", insérez les cales d'espacement dans les parois latérales du meuble pour réduire l'espace avec le réfrigérateur.

Instructions d'installation

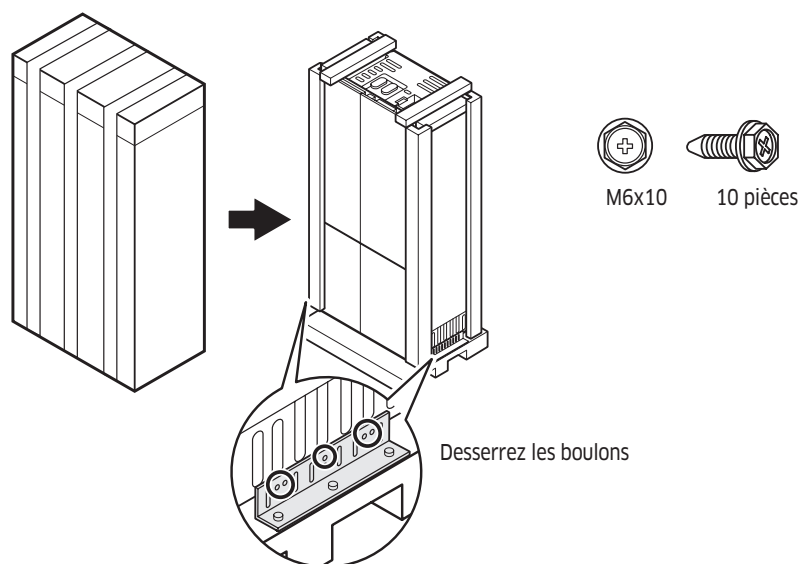
1. Déballage du réfrigérateur

Vérifiez les éventuels dommages dus au transport de l'appareil.

N'installez pas l'appareil s'il est visiblement endommagé.

En cas de doutes, contactez votre revendeur.

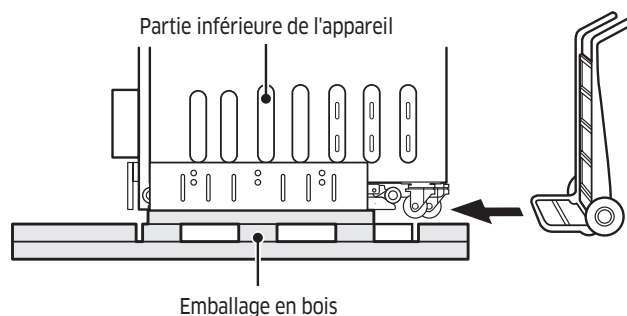
1. Retirez le cerclage en PP, le carton d'emballage, le bloc d'alimentation externe et le film en PE.
2. Retirez les fixations de la palette en dévissant les boulons (cinq par attache).



⚠ ATTENTION

Veillez à ne pas endommager l'appareil lorsque vous le déchargez de l'emballage en bois.

3. Insérez le diable entre l'appareil et l'emballage en bois comme indiqué. Tout en inclinant la partie arrière de l'appareil vers le haut, déchargez-le de l'emballage en bois.



Instructions d'installation

2. Déplacement du réfrigérateur

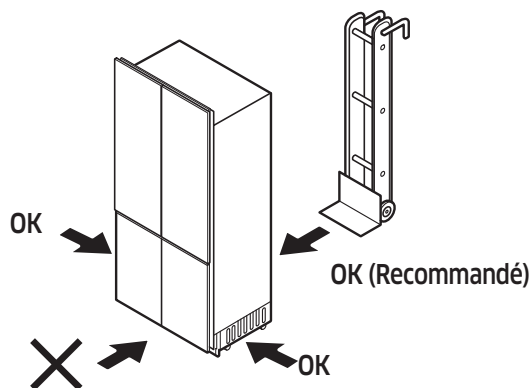
⚠ AVERTISSEMENT

L'appareil est très lourd. Lorsque vous déplacez le réfrigérateur, veillez à ne pas vous blesser ou à endommager l'appareil.

1. Utilisez un mode de transport sécurisé et adapté (un diable adapté aux appareils de préférence) et déplacez le réfrigérateur près du meuble d'installation.
 2. Le déplacement et l'installation de l'appareil doivent être effectués par au moins deux personnes.
 3. Veillez à ne pas endommager les sols. Les sols fragiles doivent être protégés avec du contreplaqué, des cartons épais ou d'autres matériaux similaires.
 4. Avant de déplacer le réfrigérateur, vérifiez qu'il passera bien à travers les encadrements des portes, dans les escaliers et tout obstacle.
- **RISQUE DE BASCULEMENT** : Le réfrigérateur étant grand et lourd, il peut facilement basculer s'il n'est pas bien fixé. Dans la mesure du possible, déplacez toujours le réfrigérateur en position verticale. Sinon, déplacez-le sur sa partie arrière. Protégez les encadrements des portes pour le transport.

⚠ AVERTISSEMENT

Veillez à ce que le boîtier des composants électriques ne soit pas endommagé lors de l'installation.



3. Préparation à l'installation

Déballez les matériaux et accessoires d'installation.

Voir la section Préparation à l'installation dans le chapitre Conditions relatives à l'installation.

4. Fixation du support antibasculement

AVERTISSEMENT

Pour éviter que l'appareil ne bascule en avant, un support antibasculement doit être installé. Avant de fixer le support, assurez-vous qu'aucun câblage ou canalisation ne se trouve dans la zone de pénétration des vis. Deux supports sont requis par appareil.

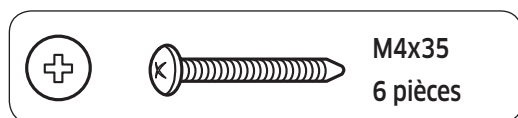
ATTENTION

Portez toujours des lunettes de sécurité et d'autres appareils ou vêtements de protection nécessaires lorsque vous installez ou travaillez avec des fixations.

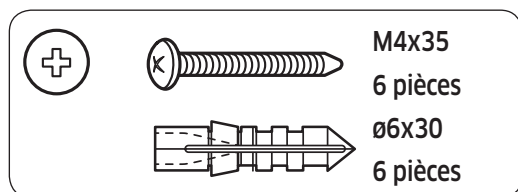
Dacor ne recommande pas de fixer le support antibasculement sur des maçonneries légères (p. ex. des blocs ou briques) ou sur du béton frais ou non traité.

Assurez-vous que le mur ou le meuble sur lequel les supports sont cloutés est suffisamment robuste pour supporter la charge de sécurité. Si vous devez utiliser la cale d'espacement, assurez-vous que celle-ci est clouée à la paroi arrière, laquelle est suffisamment robuste pour soutenir la charge de sécurité.

Mur en bois



Mur en béton



1. La hauteur du support est mesurée à partir du sol et dépend de la hauteur du meuble.

REMARQUE

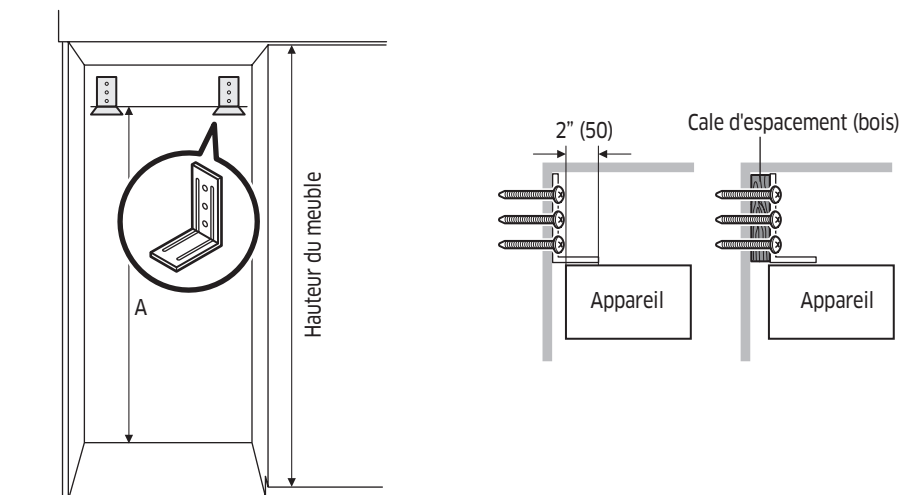
Hauteur du support

= hauteur du meuble - 3 25/32" (96 mm)

2. Fixez les supports antibasculement. Assurez-vous que les vis serrent fermement le support.

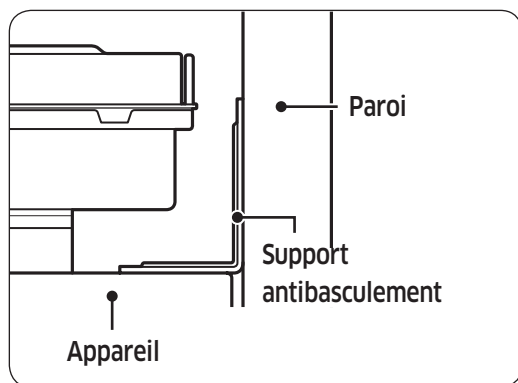
Les supports antibasculement doivent s'allonger au moins de 2" (50 mm) sur l'appareil pour le sécuriser. Si cette longueur minimale ne peut pas être respectée pour des raisons liées à la structure, l'alternative consiste à fixer une cale d'espacement (en bois) derrière l'angle antibasculement.

Instructions d'installation



| Option | Hauteur du meuble | A |
|--------|-------------------|---------------------|
| 1 | 83 1/2" (2121 mm) | 79 23/32" (2025 mm) |
| 2 | 83 3/4" (2127 mm) | 79 31/32" (2031 mm) |
| 3 | 84" (2134 mm) | 80 1/4" (2038 mm) |
| 4 | 84 1/4" (2140 mm) | 80 15/32" (2044 mm) |

Éléments relatifs au support antibasculement

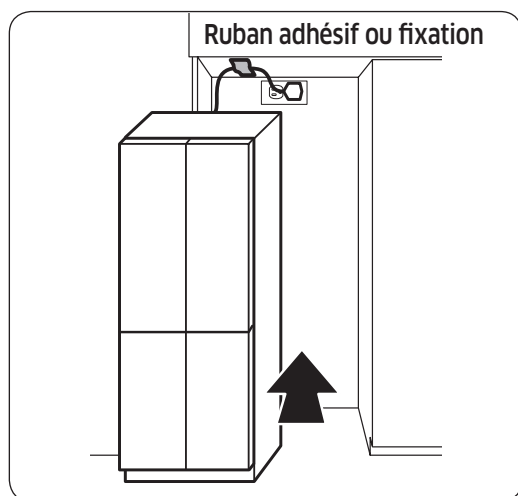


1. Positionnement du support : suivez le tableau de hauteur spécifique au meuble.
2. Vis : serrez les 3 vis sur les supports.
3. Poussez l'appareil vers le haut contre la paroi arrière du meuble.
4. Cale d'espacement : si vous utilisez la cale d'espacement, vous devez suivre les spécifications de positionnement du support (voir le tableau ci-dessus).

⚠ ATTENTION

- La hauteur de la cale d'espacement doit être calculée en fonction de la profondeur du meuble.
- La cale d'espacement doit être fixée séparément du meuble.
- Lorsque vous utilisez la cale d'espacement, serrez fermement la cale d'espacement, puis serrez le support anti-basculement.

Lors de l'installation de l'appareil dans le meuble



Avant de placer l'appareil dans le meuble, branchez le cordon d'alimentation. Attachez ensuite le cordon d'alimentation près de la partie avant de l'ouverture du meuble en utilisant un ruban adhésif ou une fixation telle qu'une attache, une bride etc.

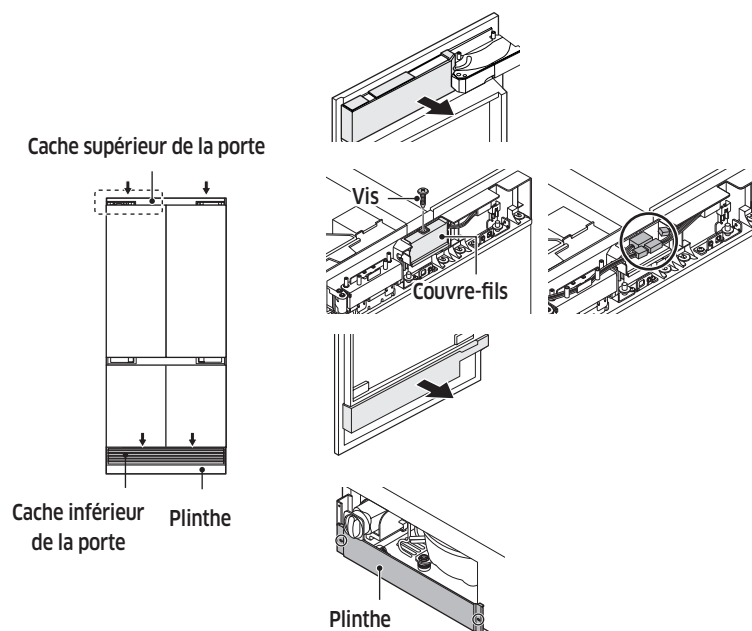
Après avoir placé l'appareil à l'intérieur du meuble, assurez-vous que le cordon d'alimentation est placé en haut de l'appareil (comme indiqué sur l'illustration).

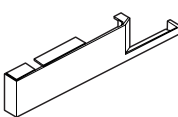
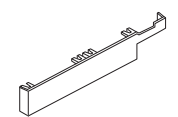
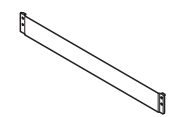


Instructions d'installation

5. Retrait du cache supérieur et inférieur de la porte, plinthe

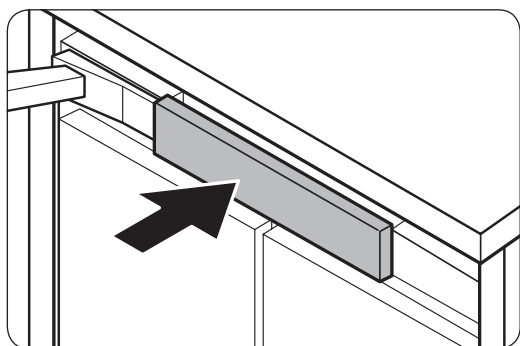
Vous devez retirer le cache supérieur/inférieur de la porte et la plinthe avant d'ajuster le panneau personnalisé de la porte.

1. Cache supérieur de la porte
 - Tirez dans le sens de la flèche.
 - Retirez une vis du couvre-fils. (Porte gauche du réfrigérateur)
 - Débranchez les connecteurs à boîtier pour séparer le cache supérieur de la porte. (Porte gauche du réfrigérateur)
2. Cache inférieur de la porte : Tirez dans le sens de la flèche et retirez le cache.
3. Plinthe : Retirez les vis des deux côtés et retirez la plinthe.



| | | | | |
|-----------------------------|---|--|------|----------|
| Cache supérieur de la porte |  | 2 pièces | | |
| Cache inférieur de la porte |  | 2 pièces | | |
| Plinthe |  |   | M4x8 | 2 pièces |

6. Fixer le cache supérieur du réfrigérateur



Fixez le cache supérieur du réfrigérateur sur le crochet de la partie supérieure avant du châssis.

Instructions d'installation

7. Ajustement de l'angle d'ouverture de la porte

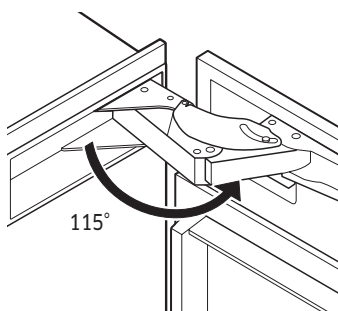
Suite à un réglage en usine par défaut, la porte s'ouvre de 115 degrés. Vous pouvez utiliser la goupille d'arrêt pour réduire l'angle d'ouverture à 90 degrés, en fonction des conditions d'installation.

- Ouvrez la porte à moins de 90 degrés, puis insérez la goupille d'arrêt jusqu'au bout à travers les trous supérieur et inférieur de la charnière supérieure, comme indiqué sur les illustrations (1) et (2).
- Fermez la porte et vérifiez que la goupille d'arrêt n'interfère pas avec le cache de la charnière.

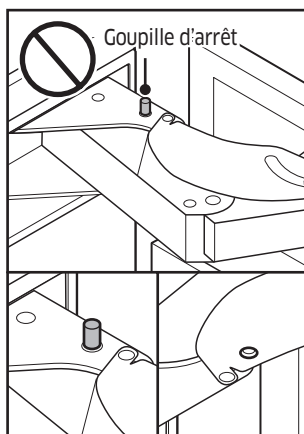
⚠ ATTENTION

- Insérez la goupille d'arrêt avant de placer le réfrigérateur dans le meuble.
- Si la goupille d'arrêt n'est pas insérée jusqu'au bout, la charnière et son cache risquent d'être endommagés.

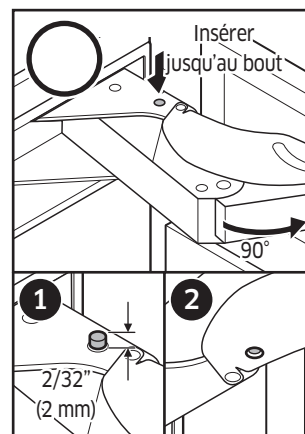
Porte du réfrigérateur



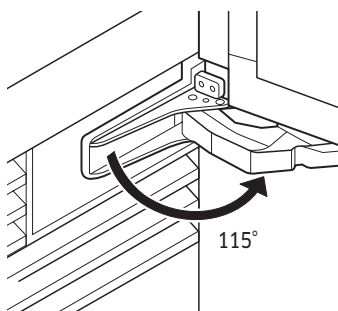
Réglage en usine par défaut : 115°



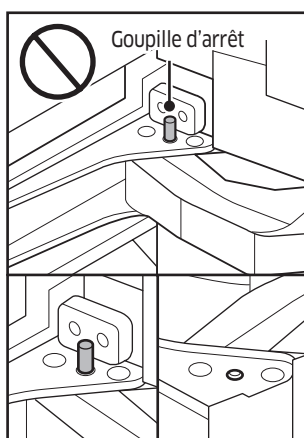
Avec goupille d'arrêt : 90°



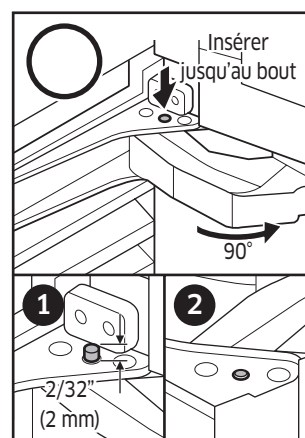
Porte du congélateur/ FreshZone+ (zone fraîche+)



Réglage en usine par défaut : 115°

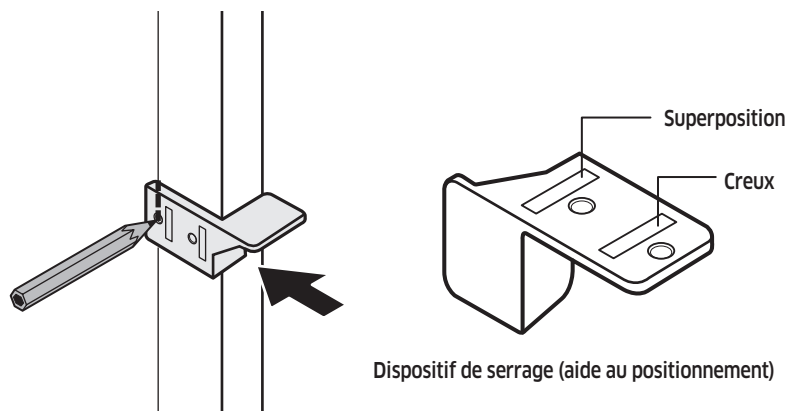


Avec goupille d'arrêt : 90°



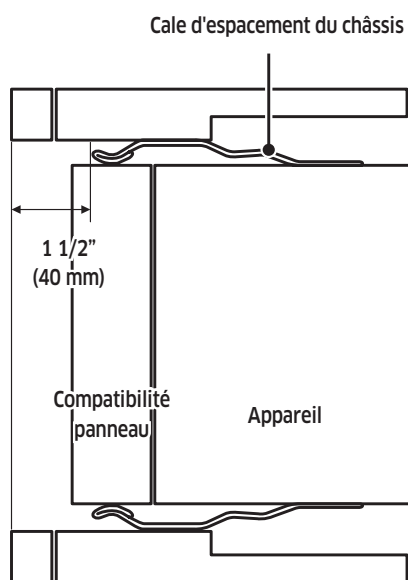
8. Placer le réfrigérateur dans son caisson

- Selon le type de meuble, un dispositif de serrage (aide au positionnement) peut être utilisé pour aligner le panneau personnalisé de la porte du réfrigérateur avec le meuble en traçant une ligne verticale sur le meuble.



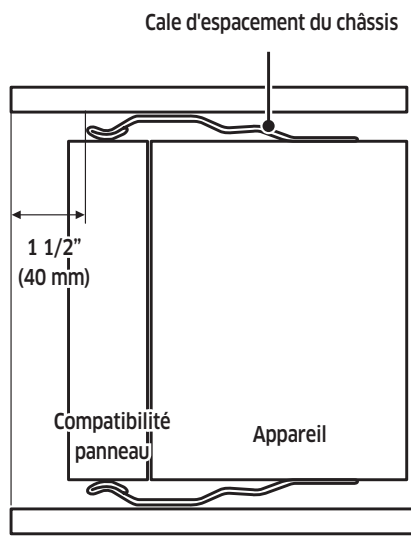
- Positionnez la cale d'espacement du châssis dans l'alignement de votre ligne verticale.

Type de superposition



Vue du haut

Type sans cadre



Vue du haut

Instructions d'installation

ATTENTION

Veillez à ne pas endommager la conduite d'eau et le cordon d'alimentation lorsque vous placez le réfrigérateur dans son caisson.

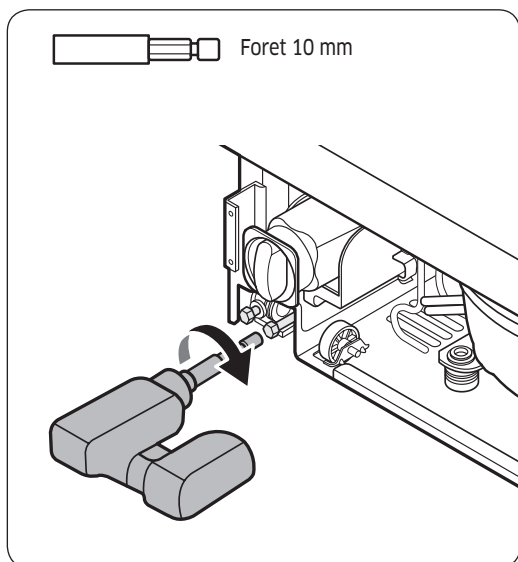
Le tuyau d'eau doit être fixé au sol avant d'être tiré vers l'avant. Placez également le cordon d'alimentation derrière l'appareil pour ne pas trébucher ou marcher dessus.

AVERTISSEMENT

Veillez à ne pas blesser les autres personnes et à ne pas endommager le réfrigérateur lorsque vous le déplacez.

1. Avant de déplacer le réfrigérateur, branchez le cordon d'alimentation. Avant de procéder à l'installation, allumez le réfrigérateur et assurez-vous que le témoin et que l'écran fonctionnent correctement et qu'aucun code d'information n'est affiché.
2. Placez le carton d'emballage ou le contreplaqué le long du trajet pour protéger les sols lors du déplacement de l'appareil.
3. Placez délicatement le réfrigérateur dans son caisson. Lorsque vous insérez le réfrigérateur, assurez-vous de le placer au centre du meuble.
4. Alignez le bord avant de la cale d'espacement du châssis avec la ligne verticale préalablement tracée sur le meuble.

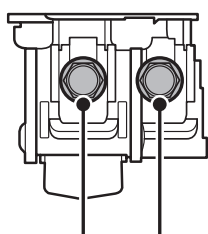
9. Mise à niveau du réfrigérateur



1. En utilisant votre perceuse et le foret indiqué ci-dessous, engagez chacun des arbres d'ajustement du réfrigérateur en rotation et mettez à niveau le réfrigérateur. (SH ▲, SAH ▼)
2. Ajustez l'écart entre le meuble et le CACHE SUPÉRIEUR DU MEUBLE à 1/8" (3 mm).

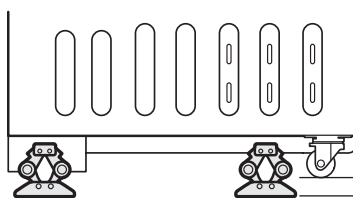
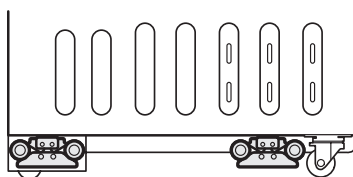
⚠ ATTENTION

Les pieds de mise à niveau avant et arrière ont un ajustement de hauteur maximal de 3/4" (20 mm). Si une hauteur plus élevée est nécessaire, l'installateur peut lever le réfrigérateur sur une plaque de contreplaqué ou un tapis. Lever le réfrigérateur de plus de 3/4" (20 mm) endommagera les composants de mise à niveau avant et arrière.



Avant Arrière

Arbre ajustable
(10 mm)



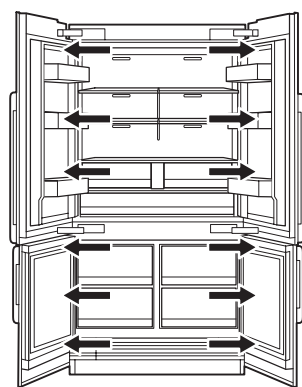
Maximum
3/4", 20 mm

Type de vérin (ajustement de la hauteur)

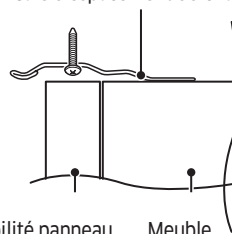
Instructions d'installation

10. Fixation du réfrigérateur

- Ouvrez la porte du réfrigérateur et du congélateur/freshzone+ (zone fraîche+).
- Fixez le réfrigérateur dans son caisson avec des vis (TH) M4x14 (6 vis par côté, comme indiqué sur le schéma).



Cale d'espacement du châssis



Vue du haut



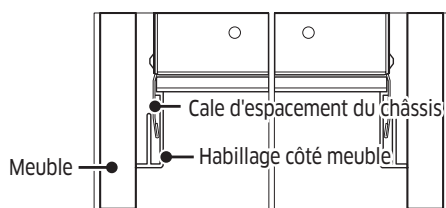
(TH) M4x14

12 pièces

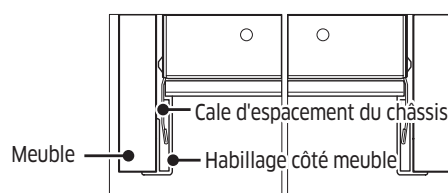
11. Fixation de l'habillage du meuble

- Habillage côté meuble : fixez l'habillage entre le réfrigérateur et le meuble.

Profondeur du meuble : 25"



Profondeur du meuble : 24"

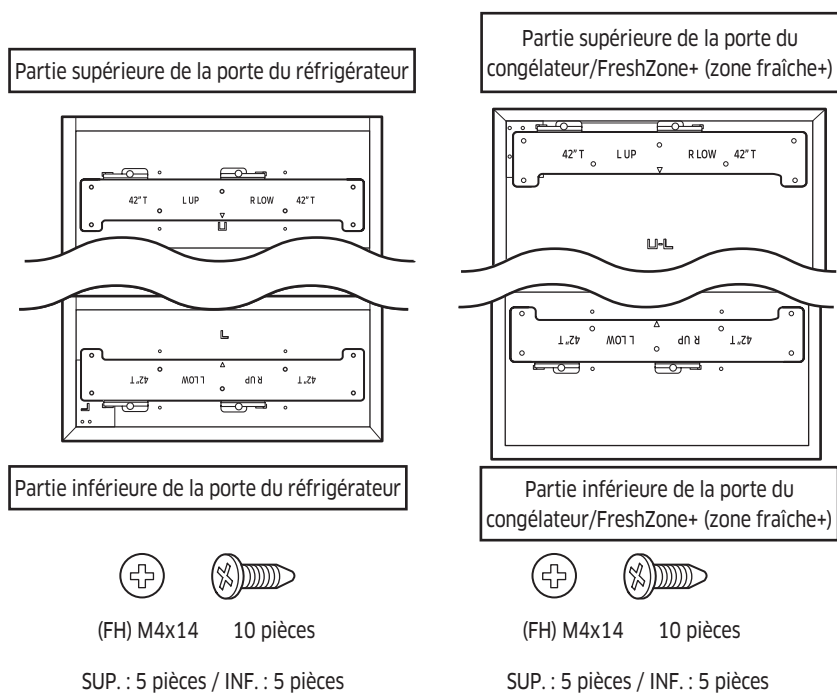


12. Fixation des supports du panneau

Fixez les supports du panneau sur la partie supérieure et inférieure du panneau.

Panneau personnalisé : STS

Enfoncez les 10 vis sur la partie supérieure et inférieure des supports, comme indiqué sur le schéma. (Les autres trous de chaque côté du support ont une autre utilité).

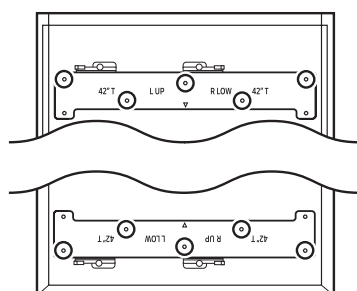


Instructions d'installation

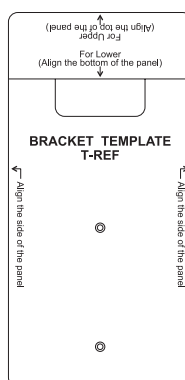
Panneau personnalisé : bois, autre

- Le modèle vous indique la position du support et des trous.
- Marquez les positions des trous de chaque coin du panneau selon le modèle et insérez les vis dans les trous.

Porte du réfrigérateur



Modèle

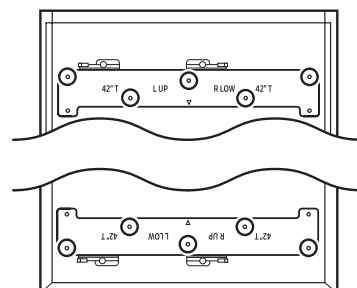


(FH) M4x14 10 pièces

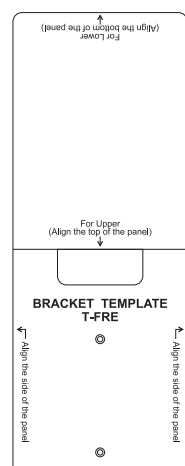
SUP. : 5 pièces /

INF. : 5 pièces

Porte du congélateur/FreshZone+ (zone fraîche+)



Modèle



(FH) M4x14 10 pièces

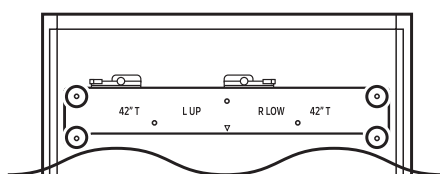
SUP. : 5 pièces /

INF. : 5 pièces

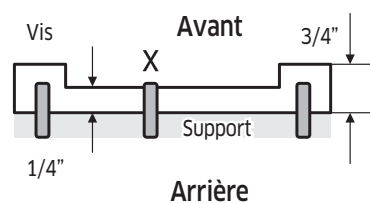
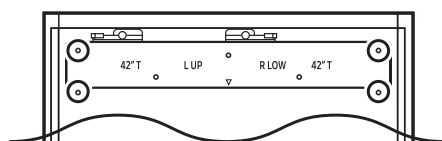
Panneau personnalisé : arrière encastré, autre

Si le panneau ne peut pas être fixé au centre du support en raison de sa conception, utilisez les trous de vis adaptés de chaque côté du support pour fixer le panneau.

Porte du réfrigérateur



Porte du congélateur/FreshZone+ (zone fraîche+)



(FH) M4x14 8 pièces

SUP. : 4 pièces / INF. : 4 pièces

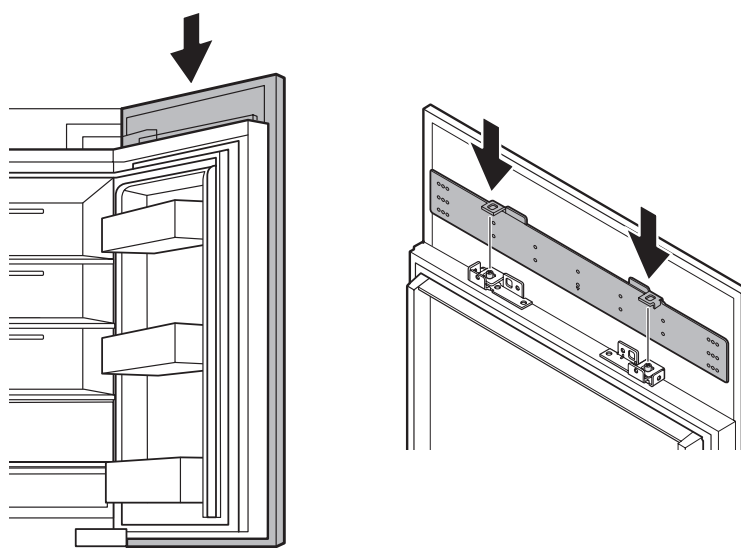
Instructions d'installation

13. Fixation d'un panneau personnalisé

AVERTISSEMENT

Si vous installez un panneau personnalisé avant de fixer l'appareil sur le meuble, le panneau personnalisé peut basculer. Afin d'éviter cela, vous devez suivre les instructions d'installation

- Placez le support du panneau sur la vis d'ajustement de hauteur. (Voir le schéma).



14. Alignement du panneau

REMARQUE

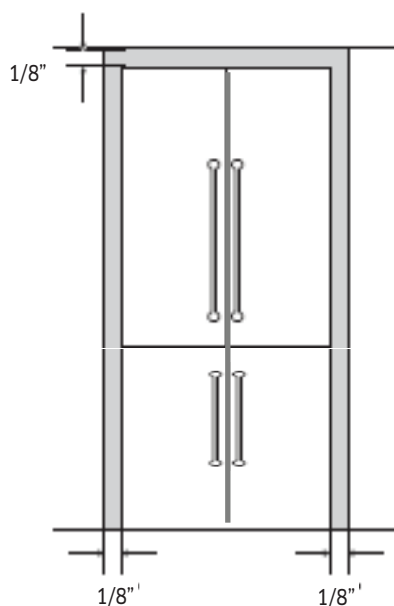
Chaque panneau personnalisé est accompagné de 12 vis dédiées que vous pouvez utiliser pour l'ajustement. Utilisez un nombre minimal de vis pour ajuster le panneau personnalisé avec le meuble. Une fois l'ajustement terminé, fixez le panneau personnalisé à l'aide de l'écrou supérieur.

Il y a deux mécanismes d'ajustement de panneau au-dessus et deux en dessous de la porte.

Ajustez le panneau de sorte qu'il soit aligné avec le meuble autour.

L'espace entre le meuble et le panneau doit être de :

- 1/8" (3 mm) en haut
- 1/8" (3 mm) sur le côté



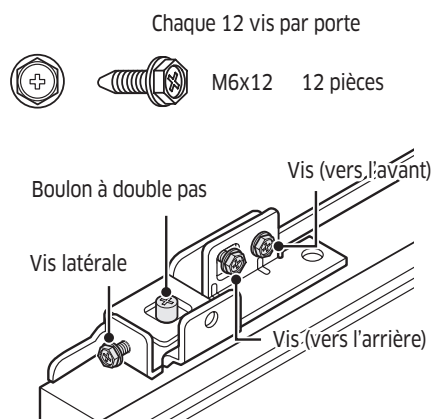
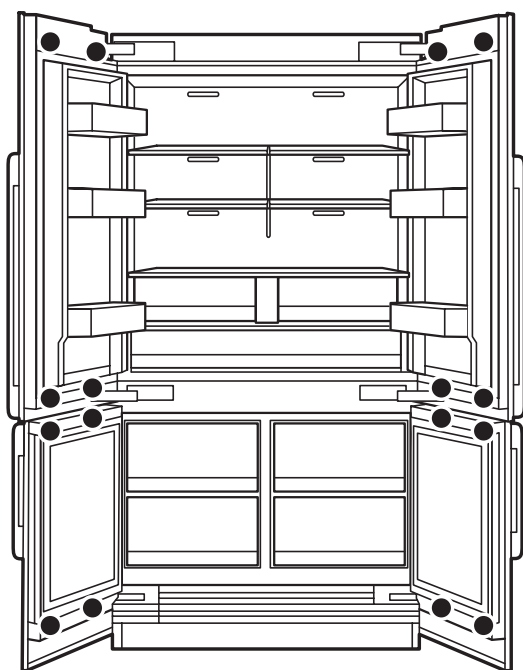
Partie supérieure de la porte

1. Utilisez les boulons à double pas pour aligner le panneau de la porte.
2. Engagez une vis de fixation latérale (voir le schéma) pour basculer le panneau de façon latérale.
3. Engagez la vis 1 (voir le schéma) pour basculer le panneau vers l'avant/arrière, engagez la vis 2 pour mettre le panneau en place.

Instructions d'installation

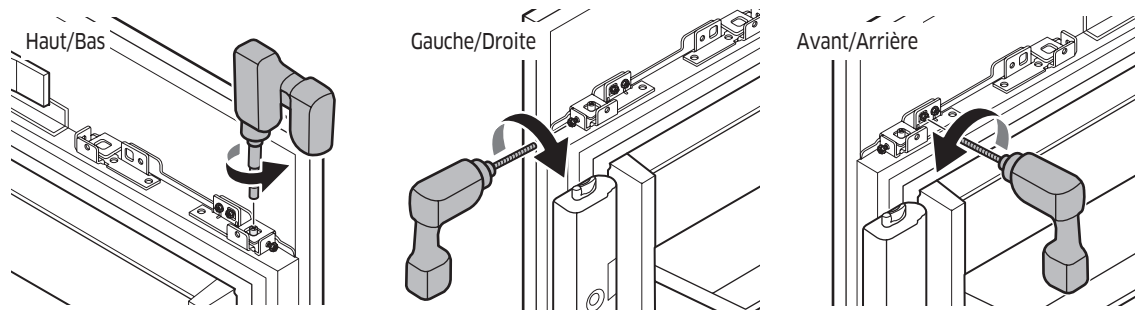
1. Engagez le boulon à double pas (voir le schéma) pour relever ou abaisser le panneau.
2. Engagez une vis de fixation latérale (voir le schéma) pour basculer le panneau de façon latérale.
3. Engagez la vis (vers l'arrière) (voir le schéma) pour basculer le panneau vers l'avant/arrière ; engagez la vis (vers l'avant) pour mettre le panneau en place.

● Mécanismes d'ajustement du panneau

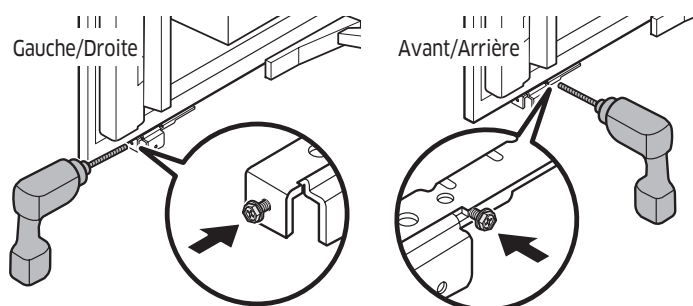


Mécanisme d'ajustement du panneau

Partie supérieure de la porte

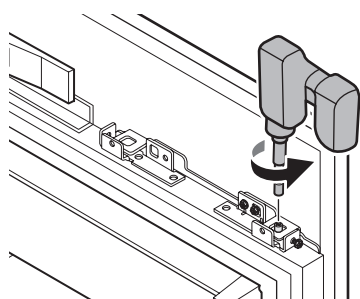


Partie inférieure de la porte



Fixation du panneau sur la porte

Vissez les écrous sur les boulons à double pas.



M13 8 pièces

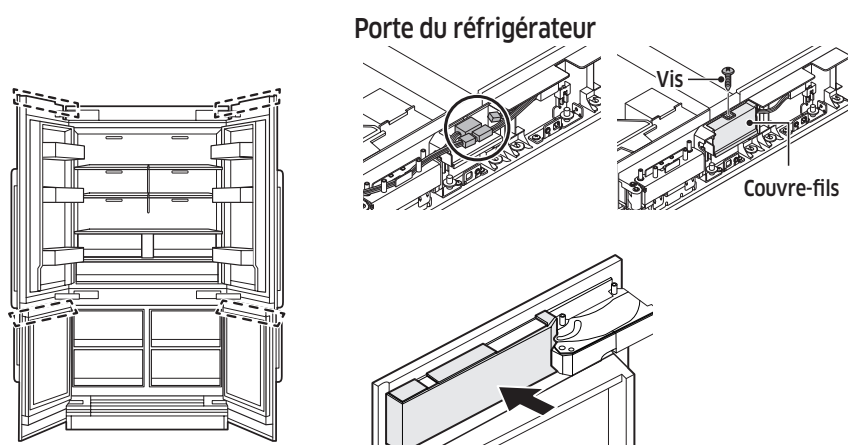
Deux écrous par ensemble

Instructions d'installation

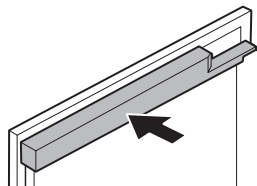
15. Fixation des caches intérieurs de la porte

1. Cache supérieur de la porte

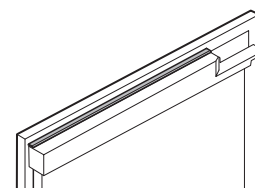
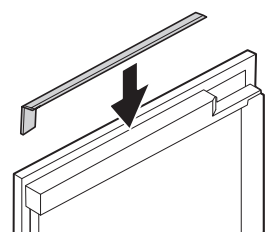
- Branchez les connecteurs à boîtier pour séparer le cache supérieur de la porte. (Porte gauche du réfrigérateur)
- Attachez le couvre-fils. (Porte gauche du réfrigérateur)
- Poussez dans le sens de la flèche.



Porte du congélateur/FreshZone+ (zone fraîche+)

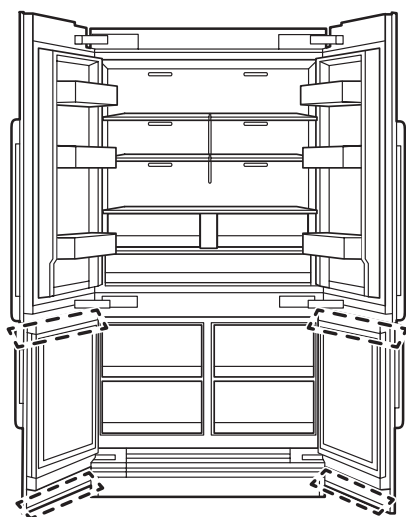


Habillage du cache de la porte

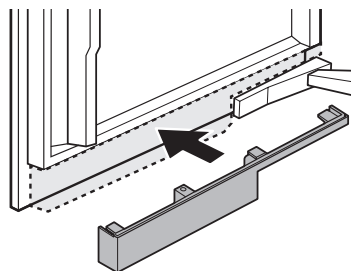


2. Cache inférieur de la porte

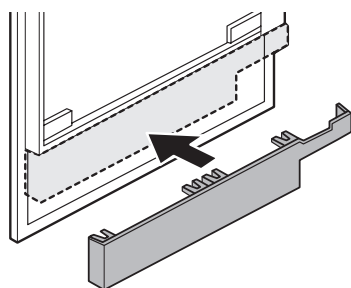
Poussez dans le sens de la flèche.



Porte du réfrigérateur



Porte du congélateur/FreshZone+ (zone fraîche+)



Instructions d'installation

16. Raccordement de la conduite d'eau

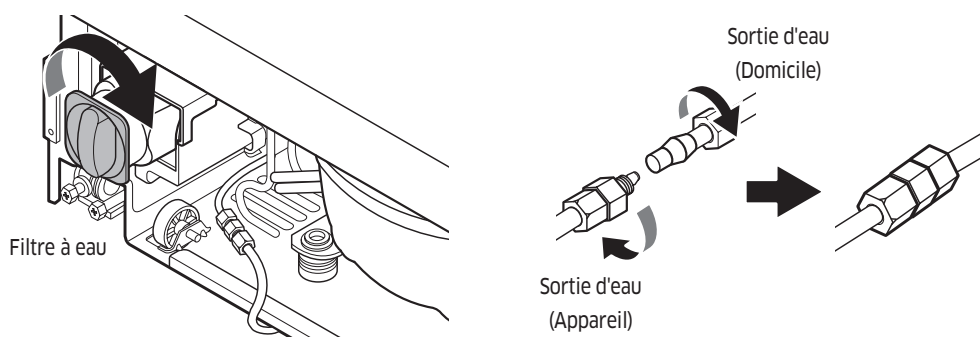
Afin d'éviter les fuites et dégâts des eaux, veillez à ne pas entortiller la conduite d'eau.

Après avoir raccordé le tuyau d'eau au sol, ouvrez le robinet d'arrivée d'eau à l'arrière de l'appareil, vérifiez le raccordement de la conduite d'arrivée d'eau et l'absence de fuites.

Vous devez acheter plusieurs éléments pour effectuer ce raccordement. Ces accessoires sont en vente sous forme de trousse dans votre magasin de bricolage local.

| | |
|-------------------|---|
| Tube en cuivre | <ul style="list-style-type: none">• Tube en cuivre de 1/4"• Écrou de serrage de 1/4" (1 pièce)• Bague (2 pièces) |
| Tube en plastique | <ul style="list-style-type: none">• Tube en plastique de 1/4" → Extrémité moulée (en forme de poire)• Écrou de serrage de 1/4" (1 pièce) |

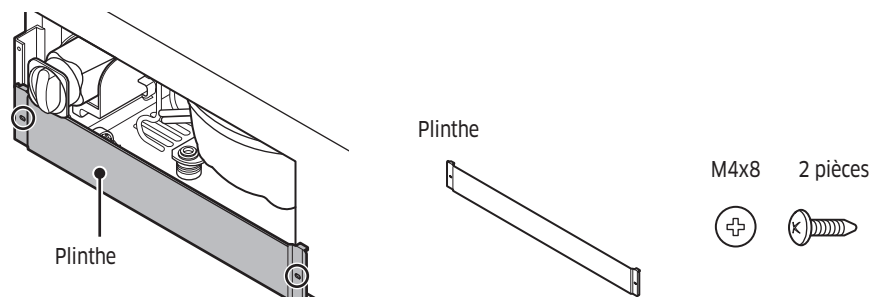
1. Retirez le bouchon du raccordement de l'appareil.
2. Courbez la conduite d'eau en fonction de l'emplacement du raccordement de l'appareil.
3. Faites glisser l'écrou-union et placez le sur la conduite d'eau.
4. Avec la clé plate, serrez l'écrou-union sans forcer.
5. Ouvrez le robinet de sectionnement et le robinet d'eau principal.
6. Vérifiez le raccordement sur le robinet de sectionnement et sur l'appareil pour détecter toute fuite éventuelle.
7. Poussez la conduite d'eau dans le tube de protection aussi loin que possible.



17. Fixation de la plinthe et de la patte

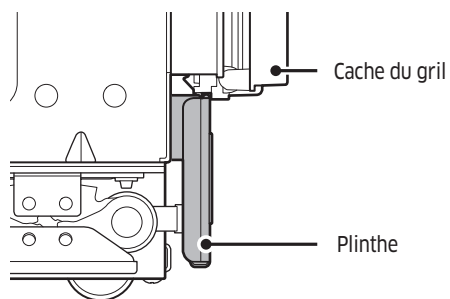
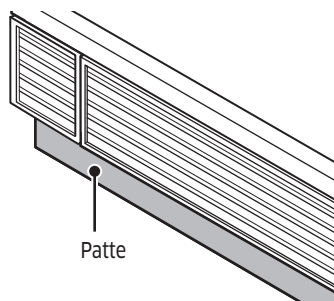
Fixation de la plinthe

- Vissez les vis des deux côtés pour fixer la plinthe.

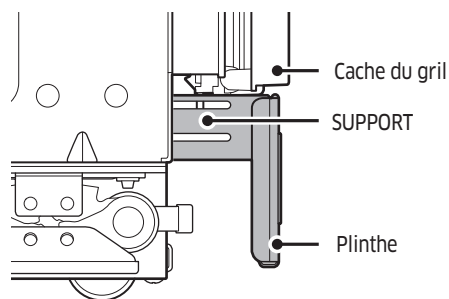


Fixation de la patte

- La hauteur de l'appareil peut être ajustée entre 83 3/8" ~ 84 3/8".
- Si vous souhaitez utiliser la patte (4") fournie par Dacor, notez que celle-ci a été conçue pour un appareil d'une hauteur de 83 7/8" et pour un meuble d'une hauteur de 84".
- Si vous souhaitez utiliser une patte non fournie par Dacor, ajustez sa hauteur en fonction.
- Vous pouvez étendre le support pour déplacer la plinthe de 32 mm maximum vers l'avant. Pour étendre le support, vous devez d'abord retirer le cache du grill.



Réglage en usine par défaut



32 mm vers l'avant

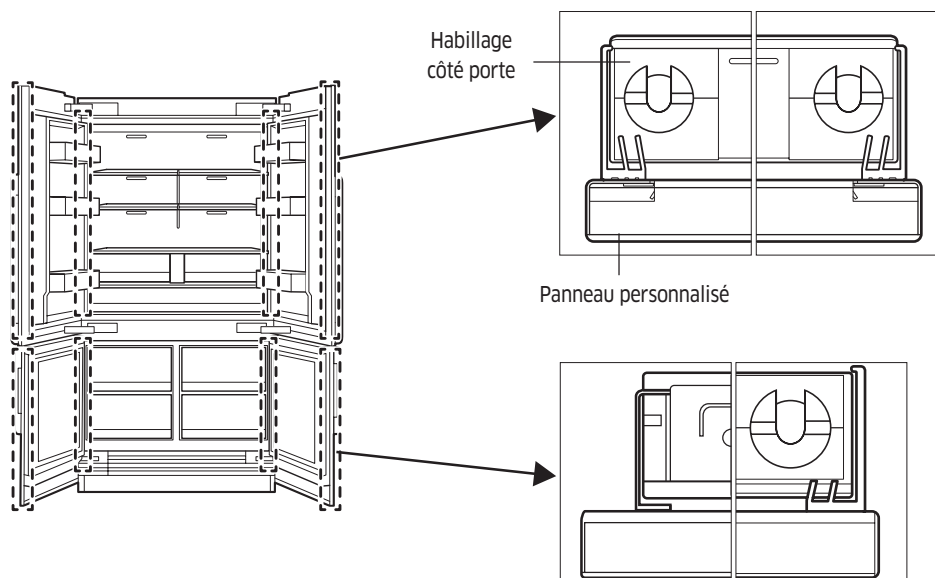
Instructions d'installation

18. Fixation de l'habillage de la porte

- Habillage latéral de la porte : fixez l'habillage côté porte.
Insérez l'habillage latéral de la porte parallèlement à la partie supérieure du cache de la porte supérieure.

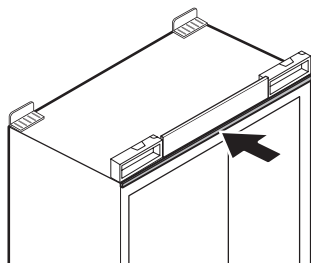
AVERTISSEMENT

Veillez vérifier de nouveau l'absence de problèmes quelconques après l'installation.



19. Fixation du cache supérieur de l'habillage

Fixez le cache supérieur de l'habillage en bas du cache supérieur.



20. Retrait de l'emballage intérieur

Déballez le bloc d'alimentation externe et le ruban.

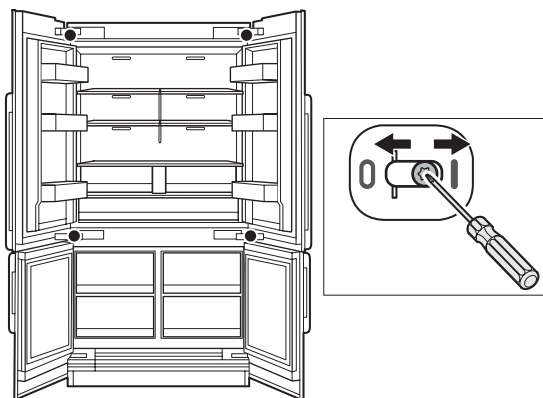
21. Ajustement du ressort de la porte

Ajustez la tension du ressort de la porte selon la taille du produit.

Avec un tournevis Torx, tournez la vis d'ajustement.

I = tension maximale du ressort

0 = aucune tension du ressort



Instructions d'installation

22. Nettoyage

Retirez le vinyle de protection et nettoyez le panneau personnalisé.

23. Liste de vérifications pour l'installation

Assurez-vous que le réfrigérateur fonctionne correctement et que le panneau personnalisé de la porte s'aligne avec le meuble autour.

AVERTISSEMENT

- La liste de vérifications suivante doit être complétée par l'installateur pour s'assurer que le réfrigérateur est installé correctement et de façon sécurisée, qu'il fonctionne correctement, et qu'aucune pièce n'a été oubliée au cours de l'installation.
- Il incombe au propriétaire de procéder à une bonne installation. **La bonne installation de votre appareil Dacor est essentielle et ne doit pas être négligée.**

Liste de vérifications pour l'installation

- Les éventuels dommages superficiels de l'appareil ont-ils été inspectés ?
- La conduite d'eau a-t-elle été correctement installée en conformité avec les spécifications et la recherche d'éventuelles fuites a-t-elle été effectuée ?
- L'appareil est-il correctement aligné avec les meubles adjacents ?
- Les portes, tiroirs et clayettes fonctionnent-ils de façon fluide et sans interférences ?
- L'emballage, les rubans et autres documents ont-ils été retirés des parties internes et externes de l'appareil ?
- Le câble d'alimentation est-il branché à une prise électrique de mise à la terre à trois broches conforme aux spécifications électriques ?
- L'appareil a-t-il été correctement mis à niveau ?
- Le support antibasculement a-t-il été correctement installé ?
- Les composants du réfrigérateur fonctionnent-ils tous correctement ?
- La garantie a-t-elle été activée en ligne / la carte de garantie a-t-elle été complétée et transmise ?

Mémo

Mémo

Mémo



DA68-03621F-04

dacor[®]

Dacor • 14425 Clark Avenue, City of Industry, CA 91745 • Phone: (833) 353-5483 • Fax: (626) 403-3130 • www.dacor.com

