



OWNER'S MANUAL

AUTO EMPTY CHARGING STATION

Read this owner's manual thoroughly before operating the appliance and keep it handy for reference at all times.

ENGLISH

VDS-ST1****



MFL71780907
Rev.05_102521

www.lg.com

Copyright © 2021 LG Electronics Inc. All Rights Reserved.

TABLE OF CONTENTS

3 IMPORTANT SAFETY INSTRUCTIONS

- 3 READ ALL INSTRUCTIONS BEFORE USE
- 3 WARNING STATEMENTS
- 7 CAUTION STATEMENTS

8 INSTALLATION

- 8 Product Overview
- 11 Installing the Charging Station
- 13 Storing the Accessories

14 OPERATION

- 14 Charging the Battery
- 16 Getting Started

20 MAINTENANCE

- 20 Cleaning the Appliance

24 TROUBLESHOOTING

- 24 Before Calling for Service

IMPORTANT SAFETY INSTRUCTIONS

READ ALL INSTRUCTIONS BEFORE USE

Safety Messages

Your safety and the safety of others are very important.

We have provided many important safety messages in this manual and on your appliance. Always read and follow all safety messages.



This is the safety alert symbol.

This symbol alerts you to potential hazards that can kill or injure you and others. All safety messages will follow the safety alert symbol and either the word WARNING or CAUTION.

These words mean:



WARNING

You may be killed or seriously injured if you do not follow instructions.



CAUTION

You may be injured or cause damage to the product if you do not follow instructions.

All safety messages will tell you what the potential hazard is, tell you how to reduce the chance of injury, and tell you what may happen if the instructions are not followed.

WARNING STATEMENTS

WARNING

- To reduce the risk of explosion, fire, death, electric shock, injury or scalding to persons when using this product, follow basic precautions, including the following:

Technical Safety

- This appliance is not intended for use by persons (including children) with reduced physical, sensory or mental capabilities, or lack of experience and knowledge, unless they have been given supervision or instruction concerning use of the appliance by a person responsible for their safety.
- Do not allow the appliance to be used as a toy. Close attention is necessary when used by or near children.
- Do not allow children to play with or hang on the appliance.
- Do not use the appliance with a damaged power cord or plug. The cord must be replaced. If the appliance is not working as it should, has been dropped, damaged, left outdoors, or dropped into water, return it to an LG Electronics service center.
- Do not pull or carry by the cord, use the cord as a handle, close a door on the cord, or pull the cord around sharp edges or corners. Do not run the appliance over the cord. Keep the cord away from heated surfaces.
- Do not unplug by pulling on the cord. To unplug, grasp the plug, not the cord.
- Place the cords from other appliances out of the area to be cleaned.
- Have servicing performed by a qualified repair person using only identical replacement parts. This will ensure that the safety of the product is maintained.

Battery

- Never use the battery and the charging station from other appliances with this appliance. Use only the battery and the charging station provided by LG Electronics.
- Use appliances only with specifically designated battery packs. Use of any other battery packs may create a risk of injury and fire.
- Recharge only with the charger specified by the manufacturer. A charger that is suitable for one type of battery pack may create a risk of fire when used with another battery pack.
- Never use the battery and the charging station from this appliance with other appliances.
- Unplug the power cord from the outlet and remove the battery if the appliance will not be used for an extended period of time.
- Do not use modified or damaged batteries.
- When disposing of the battery or the appliance, remove the battery from the appliance and safely dispose of it.
- Do not use a battery pack or appliance that is damaged or modified. Damaged or modified batteries may exhibit unpredictable behavior resulting in fire, explosion or risk of injury.
- Do not disassemble, remove or short-circuit the battery.
- Have the battery replaced when it is no longer able to hold a charge.
- Refer to the **Charging the Battery** section instructions for the method of replacing the battery.
- When disposing of this appliance, follow regulations for disposal of rechargeable lithium-ion batteries.
- Follow all local ordinances and regulations when handling or disposing of the battery.
- Disconnect the battery pack before cleaning or servicing.
- Prevent unintentional starting. Ensure the switch is in the off position before connecting to the battery pack, picking up or carrying the appliance. Carrying the appliance with your finger on the switch or energizing an appliance that has the switch on invites accidents.
- When the battery pack is not in use, keep it away from other metal objects, like paper clips, coins, keys, nails, screws or other small metal objects, that can make a connection from one terminal to another. Shorting the battery terminals together may cause burns or a fire.
- Under abusive conditions, liquid may be ejected from the battery. If this happens, avoid contact. If contact accidentally occurs, flush with water. If liquid contacts eyes, additionally seek medical help. Liquid ejected from the battery may cause irritation or burns.
- Do not modify or attempt to repair the appliance or the battery pack (as applicable) except as indicated in the instructions for use and care.

Installation

- To avoid an electrical shock or fire, do not install, charge or store the appliance where it may be exposed to water, rainfall or high humidity.
- Install, charge and store the appliance in a well-ventilated place.
- Avoid operating the appliance in areas where there is a risk of leakage of flammable gas, industrial oil or metallic dust.
- Do not store or install the appliance, power cord or plug near heating devices or open flames.
- Install the charging station on a firm, level surface.
- Install the device so that it does not tip over.
- To prevent tipping, self-standing mode installations should be anchored to the wall using the provided anchoring kit.
- Use the anchoring screws only when attaching to concrete or similar solid surfaces.
- Never drill into a wall without first checking that the area behind it is free from power conduits, plumbing, vents, or cables.
- Do not use or store the appliance at temperatures below 41 °F (5°C) or above 100 °F (38°C).

- Do not store or install the appliance where it is exposed to temperatures below freezing or exposed to outdoor weather conditions.
- When installing or moving the appliance, be careful not to pinch, crush, or damage the power cord or plug.

Operation

- This appliance is exclusively for use with the LG Electronics CordZero A9 Vacuum Cleaner. Do not use it for other appliances or other purposes.
- Use only as described in this manual. Use only manufacturer's recommended attachment.
- This appliance is designed for normal indoor domestic use only. It is not to be used for any non-residential, commercial, or industrial application.
- Do not use or store the appliance in any outdoor location, garage environment or on wet surfaces.
- This product should only be used with a 120 V~ 60 Hz outlet. Make sure to check the power specifications of the place where you intend to use the appliance.
- This appliance is equipped with a power cord having an equipment-earthing / grounding conductor (earthing pin) and a grounding power plug. The power plug must be plugged into an appropriate outlet that is installed and earthed / grounded in accordance with all local codes and ordinances.
- Do not handle the power cord, plug, or appliance controls with wet hands.
- Wipe any moisture or dirt off the cord or plug with a dry cloth.
- Unplug the power cord using the plug, not the cord. Pulling on the cord can damage it and result in electric shock or fire.
- Never attempt to operate this appliance if it is damaged, malfunctioning, partially disassembled, or has missing or broken parts, including a damaged cord or plug. Take it to an authorized LG Electronics service center or dealer for assistance.
- Do not apply excessive force to the power cord to bend it, or place it under a heavy object as this will damage it.
- Do not use multiple-outlet adapters with this appliance. Make sure to use a power socket with a capacity of 10 A.
- Do not plug the appliance into a damaged or loose outlet.
- Make sure to unplug the power cord from the outlet when the appliance is not to be used for an extended period of time.
- Do not damage, alter, excessively bend, twist, pull, pinch or heat the power cord.
- Before using the appliance, remove any wire or string on the floor.
- Avoid touching the prongs of the power plug with your finger(s) when unplugging the power cord.
- Do not cover the power cord with a rug or carpeting.
- Push the power plug firmly into the wall outlet so that it is not loose.
- If the product has been submerged, contact an LG Electronics service center or dealer for instructions before resuming use.
- If the product makes a strange noise or emits an odor or smoke, discontinue use and contact an LG Electronics customer information center.
- Only qualified technicians or service personnel from LG Electronics may disassemble, repair or modify the appliance.
- Never insert a sharp metal object such as a pin, nail or knife in a hole or gap in the appliance or the charging station.
- Make sure that no water, beverage or detergent gets inside the appliance or the charging station.
- Do not allow children to use the appliance.
- Do not let children or pets get close to the appliance when using, charging or storing.
- Keep clothing and hair, fingers, or other parts of the body away from openings and moving parts.

6 IMPORTANT SAFETY INSTRUCTIONS

- Do not use in an enclosed space where vapors are present from paint thinner, mothproofing substances, flammable dust or other explosive or toxic materials.
- Make sure that the filter is installed before use.
- Do not touch the charging terminals on the appliance or the charging station, or insert an electrified object inside the appliance or the station.
- Do not lean the appliance on walls, chairs or tables.
- If the earth leakage breaker is tripped when the product is put on the charging station, immediately remove the appliance from the charging station. Contact an LG Electronics customer service center.
- Do not use or store a heating device or flammable substance (ether, benzene, alcohol, chemicals, combustible sprays, insecticide, air freshener or cosmetics) in close proximity to the appliance.
- Do not attempt to clean up a liquid substance (water, beverage), odorous substances (candy, chocolate, pet excrement), metal objects (blades, pins), flammable substances, surfactants, or glass shards with this appliance.
- In the event of a gas leak (natural gas, propane gas, etc.) do not operate this or any other appliance. Open a window or door to ventilate the area immediately.
- Do not hold the charging station upside down with the battery in the charging station.
- Do not expose the appliance, and the battery in particular, to heat, a heating device or direct sunlight.
- Do not keep the appliance or its battery inside a vehicle which is exposed to direct sunlight.
- Never allow any water, beverage or detergent to get inside the battery.
- Do not apply physical impacts to the battery.
- Do not use the appliance without the dust bag and filters in place.
- Do not suck up anything that is burning or smoking, such as cigarettes, matches, or hot ashes.
- Do not use to suck up flammable or combustible liquids, such as gasoline, or use in areas where they may be present.
- Do not use outdoors.

Maintenance

- Make sure to unplug the power cord from the outlet when cleaning or maintaining the charging station.
- Do not spray or use water, inflammable materials such as gasoline or thinners, or surfactants such as detergent or bath soap near the appliance.

Disposal

- Keep packing materials out of the reach of children. Packaging materials can pose a suffocation risk for children.
- Destroy the carton, plastic bag, and other packing materials after the appliance is unpacked. Children might use them for play. Cartons covered with rugs, bedspreads, or plastic sheets can become airtight chambers.
- Dispose of this appliance according to local, state, and regional laws and regulations.
- Contact your local city council or the related government authority before disposing of this appliance.
- In case a rechargeable battery is included in this product, the entire device should be recycled in compliance with rechargeable battery recycling standards because of the internal battery. To dispose of properly, call (800) 822-8837 or visit www.call2recycle.org.

CAUTION STATEMENTS

CAUTION

- To reduce the risk of injury to persons, malfunction, or damage to the product or property when using the appliance, follow basic safety precautions, including the following:

Operation

- Do not open the door of the product using excessive force.
- Do not carry the product with the vacuum cleaner, nozzles, or accessories inside; it may cause injury or product damage.
- When opening and closing the product door or control panel, be careful not to get your fingers caught.
- Remove all the protective plastic from the Vacuum Cleaner before use. Otherwise, it may cause abnormal noise during the dust emptying operation.
- Keep the area around the charging station clean. A strong airstream can be emitted from the exhaust on the back of the product, causing dust to accumulate on the floor.
- This appliance has a built-in safety device to prevent damage from overheating. If the appliance becomes overheated after extended use, it may automatically turn off. If this occurs, leave the appliance in a cool, well-ventilated area for about an hour before turning on the power again.
- Do not subject the product to shocks or drop it.
- Do not install wet or damp filters.
- Do not clean the product with a volatile or organic solvent (thinner or acetone).
- Always use a soft cloth to clean the appliance.
- Remain aware of your surroundings while using the appliance to avoid colliding with people or animals.
- Do not kick or apply force to the appliance.
- Do not put any object other than the appliance, especially a metallic or magnetic object, on the charging station.
- Keep fingers away from pinch points when assembling the appliance or the charging station.
- Do not let a child or a pet hang onto the charging station.
- Follow all applicable state and local codes and regulations when installing the mounting station.
- Do not use the double-sided tape to anchor the charging station on wallpaper. Use the provided screws to anchor the charging station. The weight of the charging station and the appliance could damage the paper.
- Do not remove the battery during operation.

SAVE THESE INSTRUCTIONS

INSTALLATION

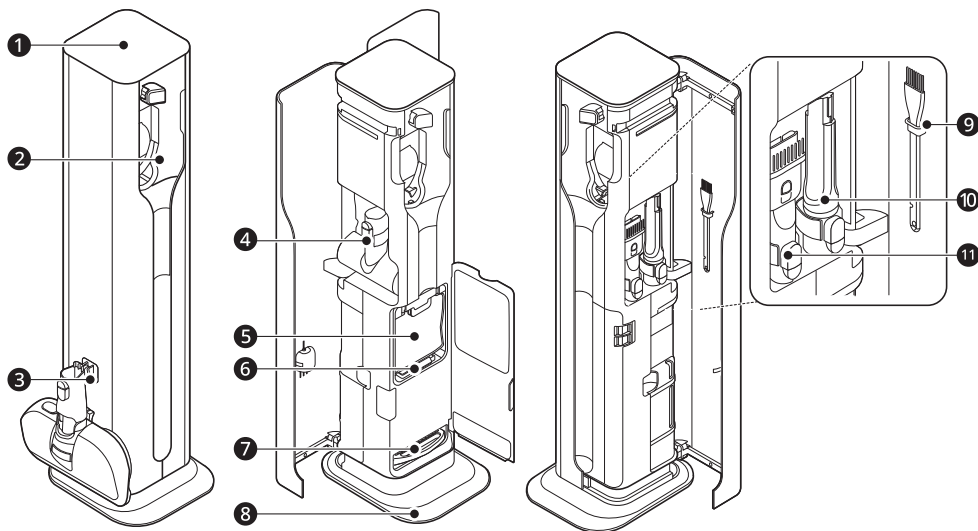
Product Overview

The images in this guide may be different from the actual components and accessories, which are subject to change by the manufacturer without prior notice for product improvement purposes.

NOTE

- For your safety and for extended product life, use only authorized components. The manufacturer is not responsible for product malfunction, property damage or bodily injury caused by the use of separately purchased unauthorized components, parts, or non-LG products.

Front View



Part Name		Part Name	
①	Control Panel	⑦	Exhaust Filter (Expendable)
②	Vacuum Cleaner Mounting Unit	⑧	Base Plate
③	Nozzle Hook [†]	⑨	Cleaning Brush
④	Bedding Nozzle or Pet Nozzle	⑩	Crevice Tool
⑤	Dust Bag (Expendable)	⑪	Combination Tool
⑥	Motor Protection Filter (Expendable)		

[†] There is also a nozzle hook on the right.

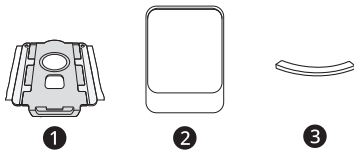
NOTE

- Use the charging station only with the provided vacuum cleaner. Using a vacuum cleaner other than the one designed to be used with the charging station may result in improper sealing of the product and failure to empty dust from the vacuum cleaner.

Accessories

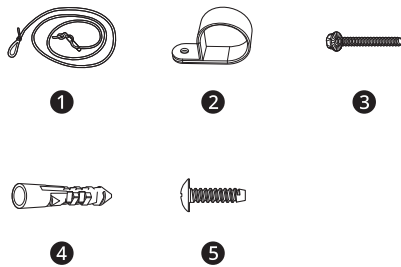
† This accessory is only available on some models.

Included Accessories



- ❶ Dust Bag (Expendable)
- ❷ Base Plate
- ❸ Gaskets (4EA)

Installation Kit



- ❶ Cord (includes slide and loop)
- ❷ Mounting bands (2EA)
- ❸ Wall Mounting Screw
- ❹ Wall Mounting Anchor
- ❺ Product Mounting Screw

NOTE

- The dust bag exhaust filter and the motor protection filter will eventually need to be replaced. Contact an LG Electronics customer service center.
- The product is shipped with a dust bag already installed.

Specifications

Appliance

Model	VDS-ST1****
Dimensions (Width X Depth X Height)	10.0 in X 11.7 in X 39.7 in 255 mm X 297 mm x 1009 mm
Weight	Approximately 22.3 lb (10.1 kg)
Power Consumption	9 A (Cleaning) 0.6 A (Charging)
Input	120 V~ 60 Hz
Output	DC 28.3 V / 1.15 A

Battery

The charging station finishes charging one battery before charging the second.

The auxiliary battery will start charging only when the battery in the vacuum cleaner is fully charged.

NOTE

- The number of batteries varies depending on the vacuum cleaner purchased. The auxiliary battery is available to buy separately.

10 INSTALLATION

Model	EAC63382208
Voltage	DC 25.9 V
Capacity	2400 mA

FCC Notice

This equipment has been tested and found to comply with the limits for a Class B digital device, pursuant to Part 15 of the FCC Rules. These limits are designed to provide reasonable protection against harmful interference in a residential installation. This equipment generates, uses, and can radiate radio frequency energy and, if not installed and used in accordance with the instructions, may cause harmful interference to radio communications. However, there is no guarantee that interference will not occur in a particular installation. If this equipment does cause harmful interference to radio or television reception, which can be determined by turning the equipment off and on, the user is encouraged to try to correct the interference by one or more of the following measures:

- Reorient or relocate the receiving antenna.
- Increase the separation between the equipment and the receiver.
- Connect the equipment into an outlet on a circuit different from that to which the receiver is connected.
- Consult the dealer or an experienced radio/TV technician for help.

Any changes or modifications in construction of this device which are not expressly approved by the party responsible for compliance could void the user's authority to operate the equipment.

(2) This device must accept any interference received, including interference that may cause undesired operation.

Supplier's Declaration of Conformity

Trade Name	LG
Responsible Party	LG Electronics USA, Inc.
Address	111 Sylvan Avenue North Building Englewood Cliffs, NJ 07632
Email	lg.environmental@lge.com

This device complies with part 15 of the FCC Rules. Operation is subject to the following two conditions:

(1) This device may not cause harmful interference and

Installing the Charging Station

⚠ CAUTION

- Do not allow children or pets to hang onto the charging station. They could be injured or cause damage to the appliance.
- Take care not to drop the product parts while unpacking them to avoid appliance damage or personal injury.

NOTE

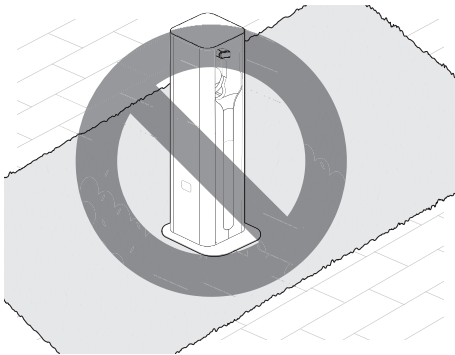
- The cost of a service call to install or reinstall the charging station is not covered under the warranty.

Installation

Follow the steps below to install the charging station on a hard and level floor.

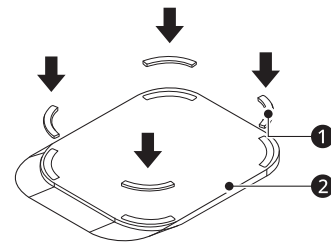
⚠ CAUTION

- Do not install on carpeted floors or rugs. The product may fall, causing injury or damage.

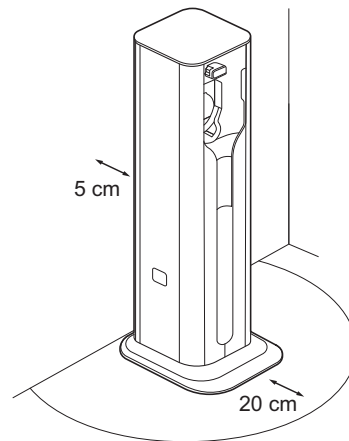


- If the base plate and the product are not properly assembled, the product may fall over, causing product damage or injury.

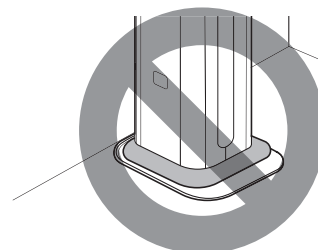
- 1 Before installing the product, attach the gaskets ① to the four grooves on the rear of the base plate ②.
 - Peel off the paper from the gasket, remove foreign substances from the groove, and then attach the sticky side of the gasket to the base plate.
 - Attaching the gaskets on the base plate can prevent the base plate from slipping or scratching the floor when installing the product.



- 2 Place the base plate on a flat, hard surface with the long side facing forward. Place the product onto the base plate.
 - Install the base plate with at least 2" (5cm) of clearance in the rear. If you plan to store the mop nozzle on the station, allow more than 2" (5 cm).
 - Keep an 8" (20cm) radius in the front clear of obstacles in order to open the doors of the station.



- 3 Place the station on the base plate and press down firmly on all sides to secure it on the base.
 - When properly assembled, the base plate and station should sit flat on the floor with no wobbling or bulges in the base plate.



- 4 Using the anti-tip kit, fix the product firmly to the wall.

12 INSTALLATION

- 5** Plug the power plug into the outlet.
- When the power plug is connected correctly, the status display flashes, and the product setting is initialized. Once initialization is completed, the status display turns off.
 - Use a velcro tie to bind and tidy the excess cable.

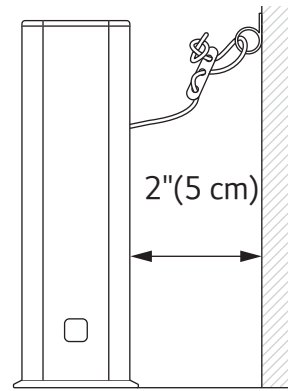
Anti-tip Kit Installation

The anti-tip kit is designed to secure the product to the wall in order to prevent it from tipping over and causing personal injury or damage to itself or the floor.

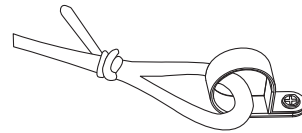
⚠ WARNING

- Carefully read and follow the guidelines in order to prevent property damage or personal injury.
- Do not lean against the product or place a heavy object on top of it.
- Manage and supervise children or pets to prevent them from knocking into or climbing on the product.
- If you prefer not to install this kit immediately, ensure that you keep it out of the reach of children.
- Do not use this kit for purposes other than the installation of the charging station.
- Wear gloves and protective clothing in order to prevent personal injury.
- When drilling a hole in concrete, take caution and wear protective goggles.
- Before drilling into a wall, make sure that there are no vents, gas or water pipes, or electrical cables behind the wall.

- 1** Before moving the product to its final position, mark the location on the wall where you will attach the anti-tip cord. If you are not drilling into a wall stud, you will need to use the wall mounting anchor.
- Install the wall mounting anchor and the mounting band directly behind the product.

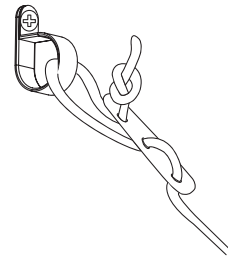


- 2** Attach one of the mounting bands to the loop at one end of the cord.

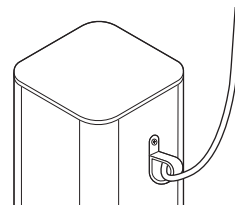


- 3** If drilling into drywall, use a 4 mm bit to drill a hole 1 3/4" (44.5 mm) deep at the marked location and insert the wall mounting anchor first. Then screw the mounting band into the anchor with the wall mounting screw. When screwing into a wall stud or concrete, use the wall mounting screw without the anchor.

- 4** Thread the other end of the cord through the slide as shown to form a loop. Attach the second mounting band to this loop.



- 5** Use the product mounting screw to attach the mounting band to the back of the product.



- 6** Place the product in its final location and use the slider to adjust the length of the cord until there is about 1 inch of play in the cord.

⚠ CAUTION

- Do not tighten the wall mounting screw excessively. Doing so may cause the wall mounting to come loose and the product to fall, resulting in personal injury or product damage.
- For best results, attach the mounting band to a wall stud or a solid wall. If the screw pulls out of the wall and the product falls, personal injury or product damage may result.
- If the distance between the wall and the product is too great, the product may fall.

Storing the Accessories

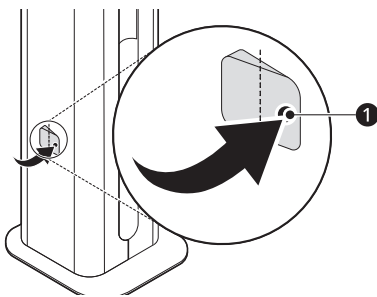
Storing the Tools

Use the product to store the inlet and components provided with the vacuum cleaner.

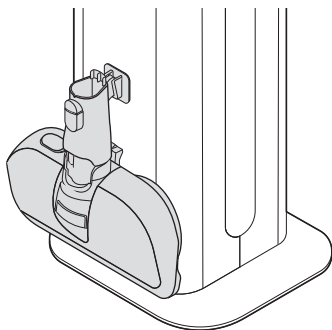
The components may differ depending on the vacuum cleaner model.

Using the Nozzle Hooks

- 1 Open the nozzle hook ① on both sides of the product.
 - To open the nozzle hooks, press on the right side. Be careful not to pinch fingers when opening.

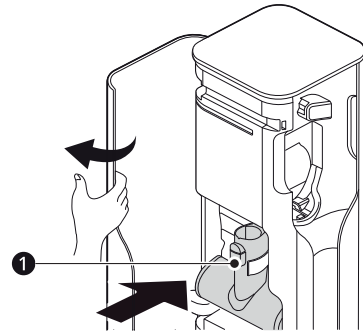


- 2 Hang the nozzle on the nozzle hook.

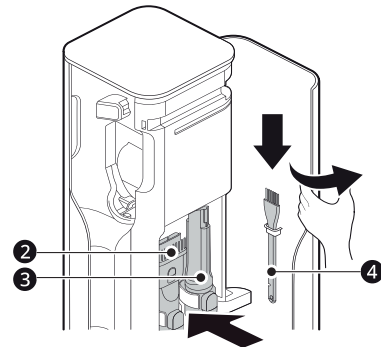


Storage Inside

- 1 Open the left door of the product and insert the bedding nozzle or the pet nozzle ① for storage.

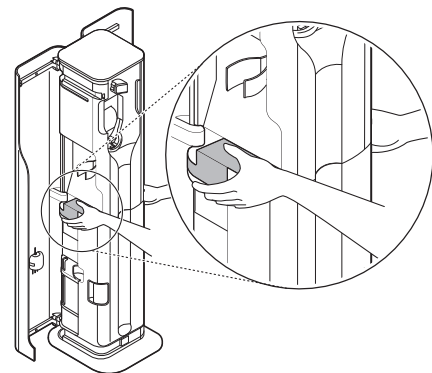


- 2 Open the right door and insert the combination tool ②, the crevice tool ③ and the cleaning brush ④ for storage.



NOTE

- Before moving the product, unplug it and remove the vacuum cleaner, nozzles, and accessories.
- To carry the product, open both doors and hold the areas shown.



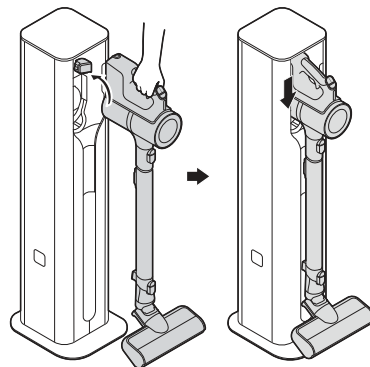
OPERATION

Charging the Battery

Before Charging the Battery

- Make sure that the adapter is connected to both the charging station and the power outlet.
- Fully charging a single battery usually takes about 4 hours. It will take twice as long to charge both the main and auxiliary batteries.
- The battery will not be charged if the indoor temperature is below 41 °F (5°C). Only charge the battery when indoor temperatures are between 41 °F (5°C) and 100 °F (38 °C).
- The battery will eventually need to be replaced. Due to the battery characteristics, runtime is shortened after using the appliance repeatedly for an extended period.
- The last bar on the battery indicator begins to blink when the battery needs to be recharged. Use the appliance with a fully charged battery.
- If the main battery is charging on the charging station, the auxiliary battery will only start charging once the main battery is fully charged.
- To maintain battery life on dual-battery models, swap the positions of the two batteries periodically, between the main body and the auxiliary charging station.

- When charging is complete, the battery level indicator (■ ■ ■) lights up briefly and then turns off to save energy.
- To save energy while charging the product body, press the **Select Mode** button to switch to the manual dust emptying mode.



⚠ WARNING

- Make sure to securely fit the product body onto the charging station. If the appliance falls off the charging station, it could cause injuries, property damage or product damage.

Charging the Product Body

Storing the appliance on the charging station automatically recharges the battery.

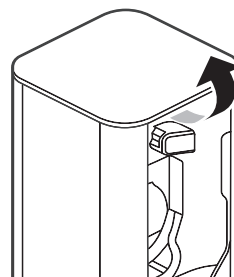
- 1 Press the **Power** button to turn the appliance off.
- 2 Put the product body onto the charging station by aligning it to the hook ❶ of the charging station.
 - Make the extension pipe its shortest length and insert it into the appliance.
 - The appliance cannot be loaded onto the charging station if either the combination tool or the crevice tool is inserted. Use the charging station only after removing the combination tool or the crevice tool, if either happens to be fitted.
 - If you don't hear a beep, reload the appliance on the charging station, making sure the nozzle is horizontal.

Charging the Auxiliary Battery

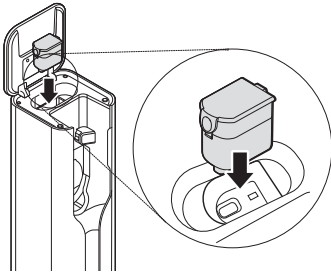
After the vacuum cleaner has finished charging, the auxiliary battery will start charging.

One or two batteries are provided. The number of batteries varies depending on the model purchased.

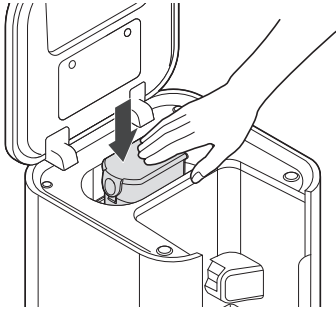
- 1 Lift the front of the control panel located at the top of the charging station.



- 2 To insert, align the battery with the outline of the battery charger.



- 3** Press the battery down into the compartment.



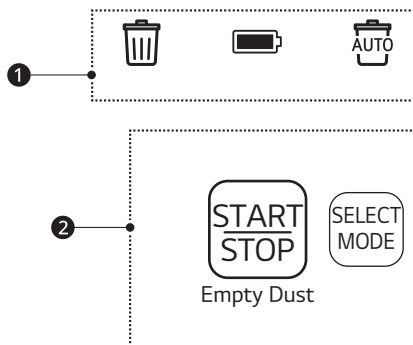
NOTE

- Insert the auxiliary battery completely. If the auxiliary battery is inserted correctly, the auxiliary battery icon (🔋) flashes.
 - The auxiliary battery icon (🔋) in the status display flashes during charging and then lights up briefly and turns off to save energy when charging is complete.
-

Getting Started

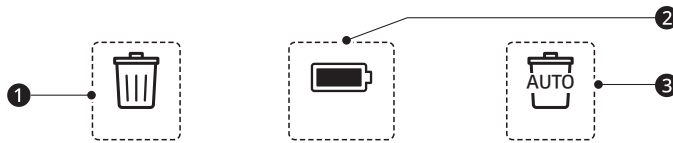
Control Panel Features

Control Panel



	List	Descriptions
①	Status Display	The display shows the dust emptying operation status or when to replace the dust bag, charging status of the auxiliary battery, and dust emptying mode.
②	Start	<p>Press the Start/Stop button once to start the dust emptying operation when using the manual dust emptying mode.</p> <ul style="list-style-type: none"> When you purchase the product, the automatic dust emptying mode is set by default. When the Start/Stop button is selected, a melody plays. Mount the vacuum cleaner. The dust bin cover opens automatically, and dust emptying operation begins.
	Stop	<p>Press the Start/Stop button once to cancel or pause the dust emptying operation.</p> <ul style="list-style-type: none"> Dust emptying operates in 3 stages, and its function is different for each stage (preparation ~ dust emptying ~ finishing). <ul style="list-style-type: none"> Pressing the Start/Stop button in the Preparation Stage (mounting the body of the vacuum cleaner): The dust emptying operation is canceled and the product returns to the charging status. Pressing the Start/Stop button in the Dust Emptying Stage (the dust bin cover opens automatically, and the dust emptying operation begins): The dust emptying (replace bag) indicator flashes white along with emitting a beeping sound, and the dust emptying operation is paused. Repress the Start/Stop button to start additional dust emptying operation. Pressing the Start/Stop button in the Finishing Stage (the dust bin cover closes automatically, the body of the vacuum cleaner is released): Pressing the Start/Stop button does not work
	Change Dust Emptying Mode	Press Select Mode button to switch between automatic or manual dust emptying mode.

Status Display



	List	Descriptions
①	Dust Emptying (Replace Bag) Indicator	<ul style="list-style-type: none"> Indicates the dust emptying operation status or when to replace the dust bag. <ul style="list-style-type: none"> White: Product is emptying dust. Flashing red: If the indicator flashes red while emptying dust, replace the dust bag at the end of the dust emptying operation. Flashing red, beeping: If the dust emptying operation is complete and the dust bag is full, the indicator will flash red, beep 10 times and then turn off. If the indicator flashes red, replace the dust bag to maintain product performance.
②	Auxiliary Battery Indicator	<ul style="list-style-type: none"> Indicates the charging status of the auxiliary battery. <ul style="list-style-type: none"> Flashes: When the auxiliary battery is mounted in the charger. Lights up briefly and then turns off: Auxiliary battery charging is complete. The auxiliary battery will not charge until the battery mounted in the vacuum cleaner is fully charged. Check the battery level on the handle of the vacuum cleaner to check whether charging is complete.
③	Auto Emptying Indicator	<ul style="list-style-type: none"> Lights to indicate that the automatic dust emptying mode is on. <ul style="list-style-type: none"> Automatic dust emptying mode automatically starts to operate every time the vacuum cleaner is mounted correctly onto the product. If you remove the vacuum cleaner and mount it immediately, dust emptying operation may not start automatically, depending on the circumstance. If it doesn't start automatically, select the Start/Stop button to start.

NOTE

- Remove all the protective plastic from the vacuum cleaner before use. Otherwise, it may cause abnormal noise during the dust emptying operation.

Emptying the Vacuum's Dust Bin

Using the Auto Mode

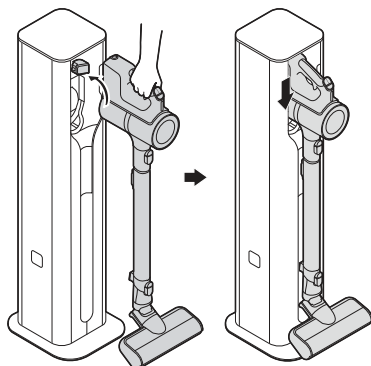
When the automatic dust emptying mode is set, the dust emptying operation starts automatically whenever the vacuum cleaner is properly inserted into the product.

When you purchase the product, the automatic dust emptying mode is set by default.

- Insert the vacuum cleaner into the product.
 - After adjusting the length adjustment pipe of the vacuum cleaner to the shortest length, attach it to the product.
 - If the vacuum cleaner pipe is connected to a combination tool or a crevice tool, the vacuum cleaner doesn't fit inside the product. Use it without the combination tool or the crevice tool.
 - If the vacuum cleaner fits properly inside the product, the alarm will sound. If the alarm does not sound, reinsert the vacuum

cleaner, making sure that the nozzle sits flat on the floor.

- Before starting the dust emptying operation, pull the easy dust emptying lever on the vacuum cleaner down 2 or 3 times to sweep away the dust to make the operation easier.



- 2 When the dust emptying operation is complete, a melody sounds, the dust emptying (replace bag) icon turns off, and the vacuum cleaner starts charging.

Using the Manual Mode

- 1 Press **Select Mode** to change from the Auto mode to the Manual mode.
- 2 Insert the vacuum cleaner into the product.
- 3 Press the **Start/Stop** button. The dust emptying (replace bag) icon flashes white, and the dust emptying operation begins along with a melody. Do not try to remove the vacuum once the operation starts.
- 4 When the dust emptying operation is complete, a melody sounds, the dust emptying (replace bag) icon turns off, and the vacuum cleaner starts charging.

⚠ WARNING

- Do not wash the vacuum cleaner body or the inlet with water. If water enters the built-in motor, it can cause electric shock or fire.

⚠ CAUTION

- Do not forcibly remove the vacuum cleaner during the dust emptying operation or when it is paused. Since the vacuum cleaner is mounted,

the product may break or fall, causing injury or product damage.

- Remove the vacuum cleaner after the dust emptying (replace bag) icon in the status display is turned off completely.
- Do not put foreign objects such as hands, garbage, or toys in the dust suction area of the product without a vacuum cleaner mounted.
- Do not push, pull, or lean on the product; it may fall, causing injury or damage.
- Do not put objects like smartphones on the product's control panel. The product may malfunction due to vibration, or the object may fall to the floor, causing injury or damage.
- If the power suddenly turns off during the dust emptying operation, the vacuum cleaner is mounted and cannot be removed. Causes for power loss include a power outage, a turned off power strip, an unplugged power cord, and a tripped circuit breaker.
- After the power comes back on, remove the vacuum cleaner when the settings on the vacuum cleaner mounting unit are reset.

NOTE

- The sound of the high-performance motor may be louder than the existing wireless vacuum cleaner. It is normal to hear sounds such as the vacuum cleaner, dust bin cover opening, product operating unit, and suction.
- The vacuum cleaner mounting unit of the charging station is cleaned with a stronger suction force just before the dust emptying operation is over. The sound may increase, but this is normal and not a fault.
- During the dust emptying operation, the product and auxiliary battery are not charged for safety reasons.
- For best results in areas with extra hair or pet dander, empty the vacuum dust bin more often during cleaning.
- Replace the dust bag every month to maintain the dust emptying performance. The replacement cycle may vary depending on the environment, and may be especially short in conditions with a lot of dust or pet hair.
- The dust bin may not be emptied completely under certain conditions (very full, contains long hairs, etc.). If this happens, press **Start/Stop** to repeat the emptying process.
- Clean the dust bin's inside, the easy dust emptying lever and the large dust separator to remove remaining dust. For more information, see the vacuum cleaner owner's manual.

-
- The UV function in the dust bag enclosure automatically starts when the vacuum cleaner is inserted into the product. It runs for 2 hours or until the door is opened or the vacuum cleaner is removed.
-

MAINTENANCE

Cleaning the Appliance

Before Cleaning the Appliance

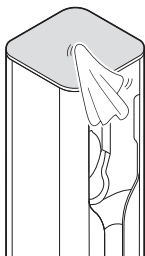
- Replace the dust bag when the dust emptying (replace bag) icon flashes red.
- Replace the dust bag every month to maintain the dust emptying performance.
- Clean the motor protection filter and the exhaust filter every 3 months or if the dust emptying function seems weaker.
- Disconnect the power plug from the outlet before cleaning the product.
- If the product smells, replace the dust bag and clean the filter.
- The frequency of cleaning varies depending on the usage environment and usage time. In a dusty environment, clean frequently.
- Fine dust may remain on the dust bin cover due to static electricity generated during the dust emptying operation; periodically clean the dust bin cover.

⚠ WARNING

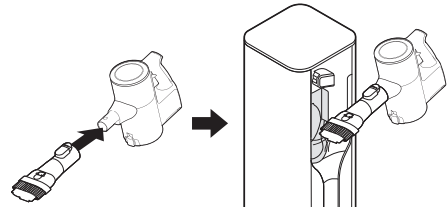
- Never wash the product body with water. Water could reach the motor and cause electric shock or fire.
- Do not allow foreign objects to enter the motor. Doing so may cause electric shock, fire or product damage.

Cleaning the Product Body

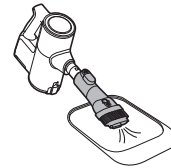
- 1 Disconnect the power plug from the outlet.
- 2 Wipe the control panel using a soft cloth.
 - Product may malfunction if there is dust on the control panel.



- 3 Clean the dust around the dust suction area using a vacuum cleaner.



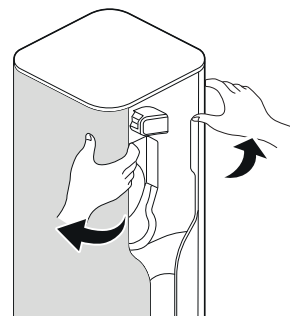
- 4 Lift the product and clean the base plate.
 - Before moving the product, unplug it and remove the vacuum cleaner, nozzles, and accessories.



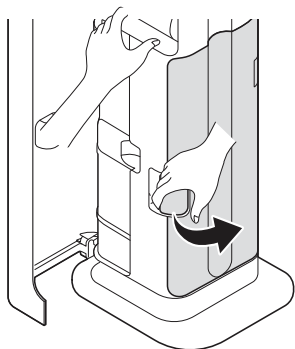
- 5 Reassemble the product and the base plate.
 - Make sure that the product and the base plate are properly assembled.

Changing the Dust Bag

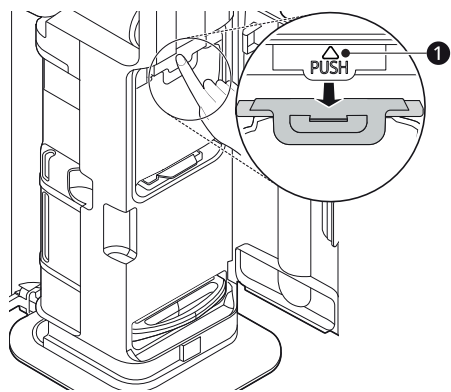
- 1 Open the left and right doors of the component storage.



- 2 Hold the product with one hand and open the dust bag door with the other hand.

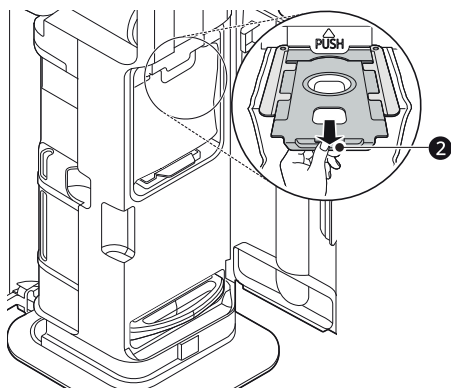


3 Press ▲ button ① above the **PUSH** label with one hand. The dust bag is released.

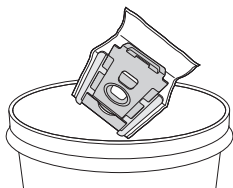


4 Pull out the dust bag lever ② to remove the dust bag.

- As the dust bag is pulled out, the top opening is closed.



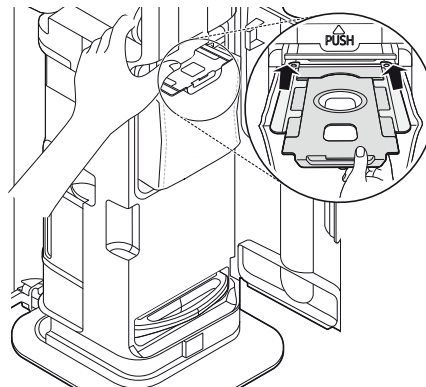
5 Throw away the dust bag.



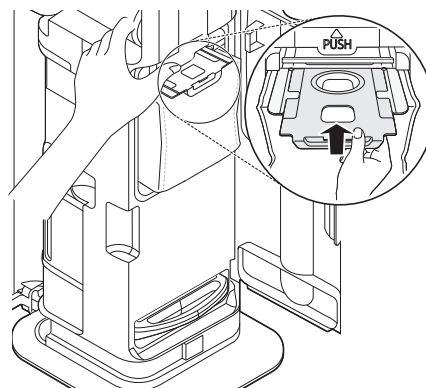
6 Prepare a new dust bag.
 • To avoid odors, do not reuse the dust bags.

7 Place the end of the dust bag on the rail inside the product.

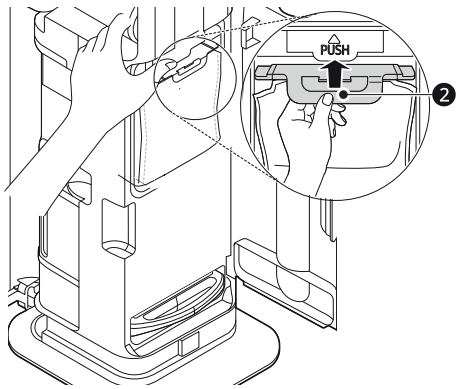
- Make sure that the dust bag is level, with both sides sitting properly on the rails.
- Pull the top of the bag away from the rails if needed to smoothly insert the bag.
- If the bag is not inserted properly, dust will escape from the top of the bag.



8 Slide the dust bag in along the rails of the product until it is completely inserted.



9 Grab the dust bag lever ② and push it up until you hear a "click" sound.



NOTE

- The dust bag door will not close without a dust bag. Discard the dust bag and be sure to put a new dust bag in place.
- Replace the dust bag every month to maintain the dust emptying performance. The replacement cycle may vary depending on the environment, and may be especially short in conditions with a lot of dust or pet hair.
- Replace the dust bag if it smells, even if it is not full.
- The motor protection filter will eventually need to be replaced. Contact an LG Electronics customer service center.

Cleaning the Filters

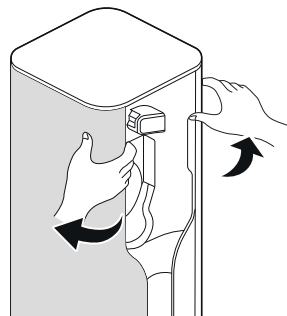
Clean the motor protection filter and the exhaust filter every 3 months or sooner if the dust emptying function seems weaker.

- Clean the filters more frequently if the appliance is used regularly or in areas with a lot of dust.

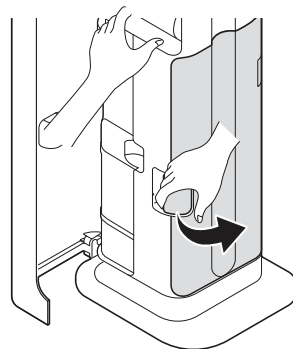
CAUTION

- Do not use the appliance without the exhaust filter and the motor protection filter installed. Doing so could result in product damage.

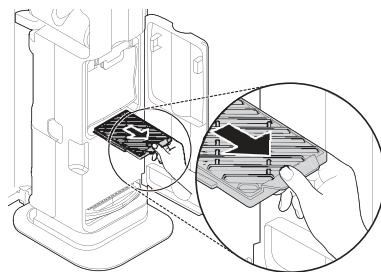
1 Open the left and right component storage doors.



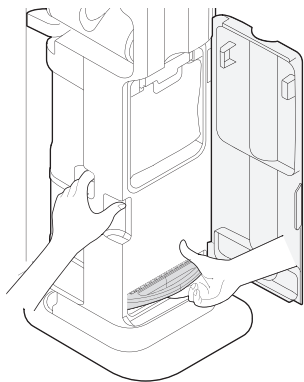
2 Hold the product with one hand and open the dust bag door with the other hand.



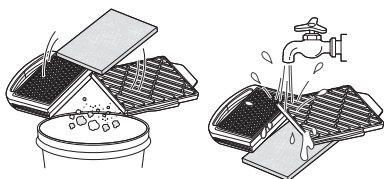
3 Hold the product with one hand and take out the motor protection filter with the other hand.



4 To remove the exhaust filter, hold the bottom of the product and pull the handle end of the filter.



- 5** Remove dust from the motor protection filter and exhaust filter once every 3 months and wash it using room temperature water.



- To avoid odor and the malfunction of the motor, allow the motor protection filter and the exhaust filter to dry completely in a well-ventilated area out of direct sunlight for at least 24 hours before reassembling.
- 6** Push the motor protection filter and exhaust filter back into their original positions.
- Make sure that the filters are in place before using the product.

TROUBLESHOOTING

Before Calling for Service

Operation

Problem	Possible Cause & Solution
Dust emptying doesn't work.	The power plug is not connected. <ul style="list-style-type: none"> • Connect the power plug to an outlet.
	The Vacuum Cleaner is not properly inserted into the product. <ul style="list-style-type: none"> • Remove the Vacuum Cleaner and reinsert it. If it is installed properly, a beep will sound.
	Dust emptying operation is stopped. <ul style="list-style-type: none"> • When the Dust Emptying Start/Stop button is pressed, the dust emptying operation starts from the beginning.
	It is set to automatic or manual dust emptying mode. <ul style="list-style-type: none"> • When you purchase the product, the automatic dust emptying mode is set by default. When it is in automatic dust emptying mode, the dust emptying operation starts automatically whenever the vacuum cleaner is properly inserted into the product. • When it is in manual dust emptying mode, pressing the Dust Emptying Start/Stop button starts the dust emptying operation after inserting the vacuum cleaner into the product,
Product setting initialization doesn't work even after the power plug is plugged in again.	The internal motor of the product is not operating properly . <ul style="list-style-type: none"> • Disconnect the power plug from the outlet and contact an LG Electronics Service Center.
The power supply has been cut off.	The power supply has been cut off. <ul style="list-style-type: none"> • Check whether the power plug is connected correctly to the outlet. • If using a multi-outlet strip, make sure the strip is turned on. • Check if the breaker is tripped or there is a power outage.
It won't charge.	It is not plugged in. <ul style="list-style-type: none"> • Plug it into an outlet.
	There is a foreign object on the charging terminals. <ul style="list-style-type: none"> • After unplugging from the outlet, wipe off any foreign matter from the charging terminal with a dry cloth.
	The room temperature was 41 °F (5 °C) or less during charging. <ul style="list-style-type: none"> • Charging may not work if the temperature where you are charging is 41 °F (5 °C) or less. Before use, fully charge the vacuum cleaner at a temperature above 41 °F (5 °C).
	The vacuum cleaner is not properly inserted into the product. <ul style="list-style-type: none"> • When the vacuum cleaner is properly inserted into the product, a beep sounds. If the beep does not sound, reinsert the vacuum cleaner.
	The auxiliary battery is not properly inserted into the product. <ul style="list-style-type: none"> • Push in the auxiliary battery all the way. When the auxiliary battery is properly inserted, the auxiliary battery icon flashes.

Problem	Possible Cause & Solution
The product has a strange smell.	The product is purchased within 3 months. <ul style="list-style-type: none"> The odors from manufacturing the product should be gone within 3 months.
	The Vacuum Cleaner smells. <ul style="list-style-type: none"> After cleaning with the mop nozzle, the wet dust may emit an odor. After finishing cleaning, remove the damp dust from the mop nozzle before storing the vacuum. The pre-filter, exhaust filter, or large dust separator may smell after washing if it isn't dried completely. After washing with water, dry them thoroughly in well-ventilated shade for at least 24 hours before using them again.
	The dust bag smells. <ul style="list-style-type: none"> If you clean foreign matter that smells (such as pet excrement) with the vacuum cleaner, the vacuum may smell even if you do not have a full dust bag. Replace the new dust bag even if it isn't full. If you have not replaced the dust bag for a long time, it may smell. Replace it with a new dust bag even if it isn't full.
Two icons [dust emptying (replace bag) and auxiliary battery] flash simultaneously.	The motor that holds the Vacuum Cleaner isn't working properly. <ul style="list-style-type: none"> Disconnect the power plug from the outlet and contact an LG Electronics Service Center.
	The motor that opens and closes the Vacuum Cleaner dust bin cover isn't working properly. <ul style="list-style-type: none"> Disconnect the power plug from the outlet and contact an LG Electronics Service Center.
Two icons (auxiliary battery and auto emptying) flash simultaneously.	The motor that presses the Vacuum Cleaner dust bin cover separation button isn't working properly. <ul style="list-style-type: none"> Disconnect the power plug from the outlet and contact an LG Electronics Service Center.
During the dust emptying operation, the dust emptying notification flashes red.	The dust bag is full. <ul style="list-style-type: none"> Throw away the used dust bag and replace it with a new dust bag.
The dust emptying notification flashes red for about 10 seconds, and a beep sounds.	The dust bag is full. <ul style="list-style-type: none"> Throw away the used dust bag and replace it with a new dust bag.



LG

Life's Good

LG Customer Information Center

For inquiries or comments,
visit **www.lg.com** or call:

1-800-243-0000 U.S.A.

1-888-542-2623 CANADA

Register your product Online!

www.lg.com