

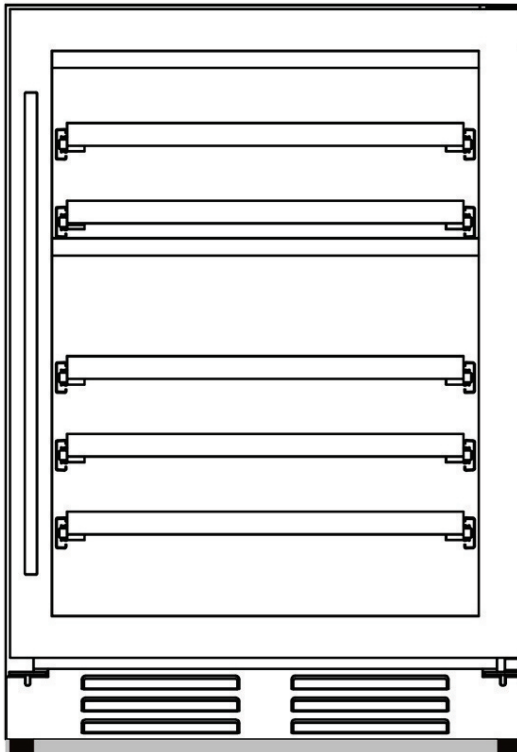
EQUATOR[®]

ADVANCED Appliances ≡

Wine Refrigerator

Built-In / Freestanding

Model - WR 52



OWNER'S MANUAL

Please read the instructions carefully and keep for future reference. Information may be updated from time to time so please refer to the website for the latest version of the manual.

Warranty

Equator Appliances undertakes to the consumer-owner to repair or, at our option, to replace any part of this product which proves to be defective in workmanship or material under normal personal, family or household use, in USA and Canada, for a period of one year from the date of original purchase. For commercial use, the product is warranted for a period of 90 Days. During this period, we will provide all labor and parts necessary to correct such defect, free of charge, if the appliance has been Installed and operated in accordance with the written instructions with the appliance. Ready access to the appliance, for service, is the responsibility of the consumer-owner. Services would be provided from Monday to Friday between normal business hours.

Exclusions

In no event shall Equator Appliances be liable for incidental or consequential damages or for damages resulting from external causes such as abuse, misuse, incorrect voltage or acts of God. This warranty does not cover service calls which do not involve defective workmanship or materials covered by this warranty. Accordingly, diagnosis and repair costs for a service call which does not involve defective workmanship or materials will be the responsibility of the consumer-owner.

Specifically, the following work is not covered under warranty and does not constitute warranty work:

Installation - e.g. Insufficient spacing around appliance

Maintenance - e.g. Cleaning the appliance using solvents

Mishandling - e.g. Breakage of door handle

Most work is covered. The defining factor is, has the machine malfunctioned (Equator Appliances is responsible) or has the customer omitted or done something to cause the machine to malfunction (customer is responsible). Some states do not allow the exclusion or limitation of incidental or consequential damages, so the above limitation of exclusion may not apply to you.

WARRANTY SERVICE

This warranty is given by:

Equator Appliances

10222 Georgibelle Drive, Suite 200
Houston, Texas 77043-5249

For Service:

Call: 1-800-776-3538

Email: service@ApplianceDesk.com

Web: www.ApplianceDesk.com

Business hours: 9:00 am to 5:00 pm weekdays

You can register your Warranty by either of the following methods:

1. Scan QR Code

QR Code



1. Open Smart Phone
2. Open Photo
3. Scan QR Code
4. Click the Link

2. Register online at ApplianceDesk.com/Warranty

GENERAL

Since it is a responsibility of the consumer-owner to establish the warranty period by verifying the original purchase date, Equator Appliances recommends that a receipt, delivery slip or some other appropriate payment record be kept for that purpose.

This warranty gives you specific legal rights, and you may also have other rights which vary from State to State.

All rights reserved. Manual subject to change without notice.

Safety

Do not store explosive substances such as aerosol cans with a flammable propellant in or near this appliance.

Refrigerant and foaming material is flammable. Take precautions during handling, installation, and maintenance.

Ensure that the refrigerant circuit is not damaged.

Keep ventilation openings clear of obstructions.

When positioning the appliance, ensure the electrical cord is not trapped or damaged.

Do not place multiple portable socket-outlets at the rear of the appliance.

Never unplug the appliance by pulling on the power cord. Grip the plug firmly and pull straight out to remove from wall socket.

Do not use a damaged power cord.

Do not use an extension cord.

Children should be supervised to ensure that they do not climb on or play with the appliance.

This appliance is not intended for use by persons (including children) with reduced physical, sensory or mental capabilities, or lack of experience and knowledge, unless they have been given supervision or instruction.

Safe Disposal

Before discarding the appliance, remove the door in order to prevent risk of child entrapment. Leave the shelves in place.

Please dispose of this appliance in accordance with local regulations.

Installation and Preparation

Do not tilt the appliance at an angle of more than 45° when moving it.

Do not move the appliance while it is loaded with bottles.

Place the appliance away from direct sunlight and sources of heat and high humidity, and also away from areas or moisture and exposure to cold temperatures.

The appliance should be placed in a room where the temperature is between 60°F-90°F.

After moving the appliance in place, let it stand upright for at least 2 hours before turning it on.

Plug the appliance into a dedicated, properly installed-grounded wall outlet. Do not under any circumstances cut or remove the third (ground) prong from the power cord.

Check the plug and cable before you connect the power and ensure the correct voltage is 115V / 60Hz.

Ensure that the plug is accessible.

Place the appliance on a flat level surface. Ensure the appliance is level by adjusting the 4 levelling feet.

Ensure the bottom vent is not obstructed.

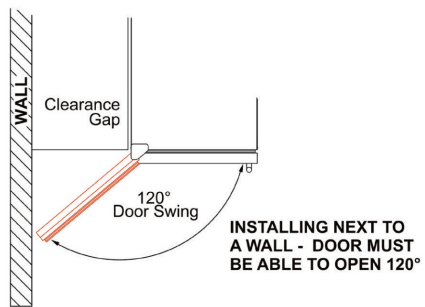
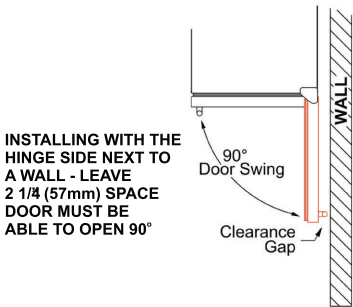
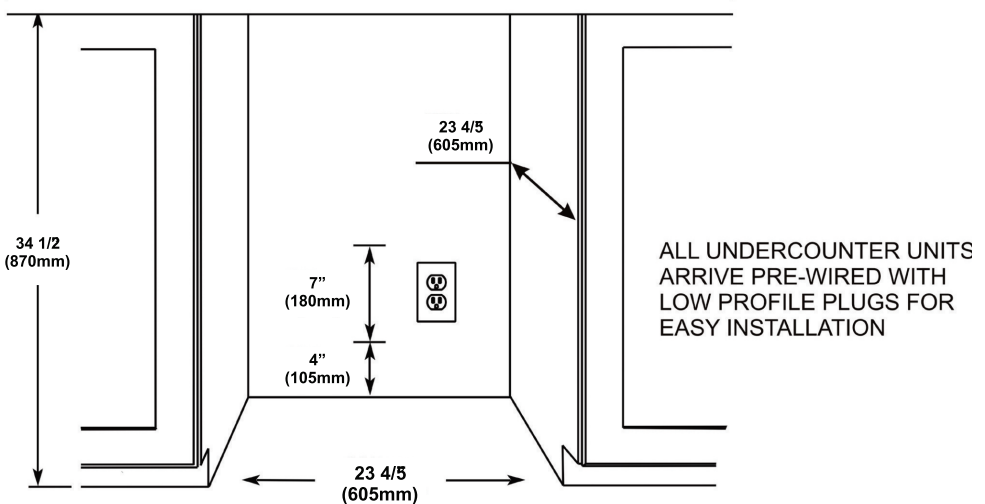
Before use, clean the outside and inside surfaces with a damp soft cloth.

When loading bottles and cans, ensure items are arranged evenly, so that weight is not concentrated in one area of the unit. Ensure items do not touch the back of the cabinet.

Installation Spacing Requirements

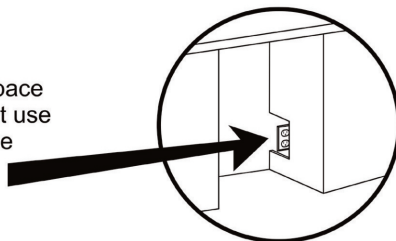
The appliance can be used as built-in or freestanding.

Place the appliance on a flat level surface. Whether installing under a cabinet as a built-in unit or freestanding, ensure to leave adequate space around the unit.

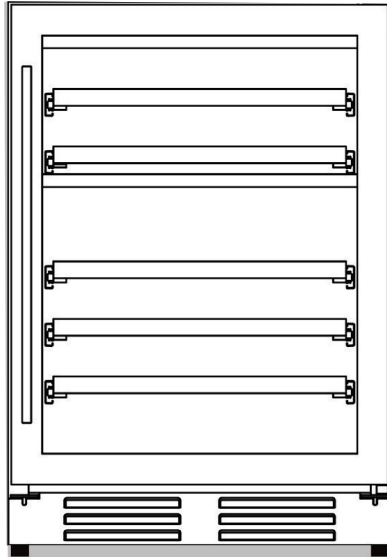


IF THE DOOR CAN'T OPEN FULLY - YOU CAN'T PULL THE SHELVES OUT.

If you need a little more space when installing - you might use a recessed outlet or cut the adjoining cabinet wall to reach an outlet there...

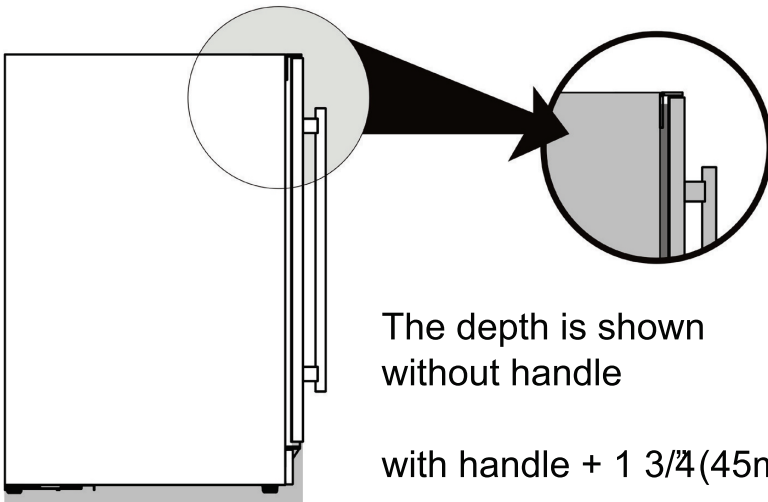


This appliance is intended for indoor use only.



$33 \frac{4}{5}$
(860mm)
Height

$23 \frac{2}{5}$
(595mm) Width



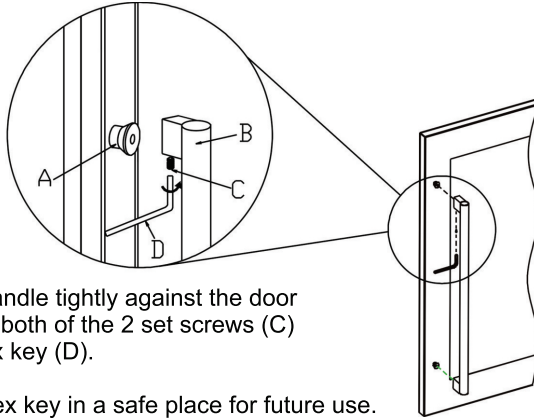
The depth is shown
without handle
with handle + $1 \frac{3}{4}$ (45mm)

$23 \frac{2}{5}$
(595mm) Depth

Installing Door Handle

Install the handle according to the following steps:

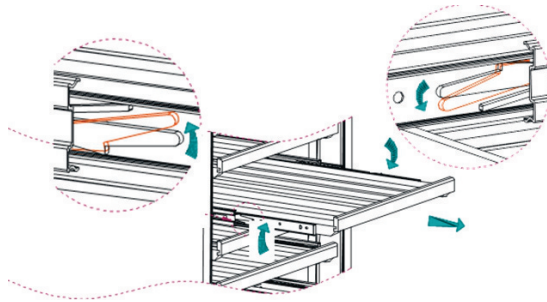
Place the handle (B) over the 2 mounting studs (A) on the door frame with the set screws (C) pointing down.



Push the handle tightly against the door and tighten both of the 2 set screws (C) with the hex key (D).

Keep the hex key in a safe place for future use.
Two extra set screws are included.

Pulling out Shelves



Ensure the door is completely open before pulling out the shelves. This will prevent scratching and damage of the door and shelves.

Remove bottles from the shelves.

There are plastic levers on either side of the shelves. Gently press the left lever upward and the right lever downward, and at the same time pull out the shelf.

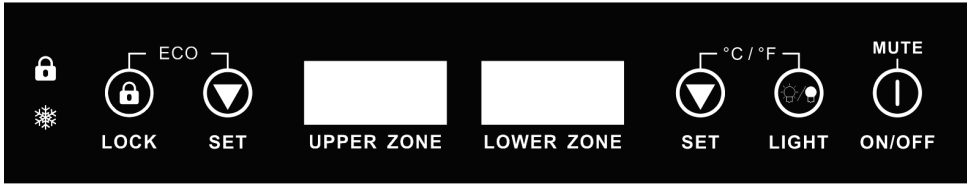
Door Reversal

This appliance has the capability of the door opening from either the left or right side. The unit is delivered to you with the door opening from the left side. Should you desire to reverse the opening direction, please follow the instructions below:

1. Carefully lay the appliance on its back. Use cushioning to protect the floor and appliance.
2. Using a Philips screwdriver, remove the two screws and bottom right hinge beneath the door. Keep the hinge in a safe place in case you need to reverse the door again in the future.
3. Carefully slide the door off and place it on a padded surface.
4. Remove the bottom support bracket from the right side.
5. Remove the top right hinge and keep in a safe place in case you want to reverse the door in the future.
6. Remove the screws from the top left and transfer to the right.
7. Install the top left hinge.
8. Install the bottom left hinge to the door. Do not over - tighten the screw.
9. Rotate the door 180° and relocate it on the top hinge.
10. Install the bottom support bracket.
11. Adjust door alignment. When set, tighten screw on hinge.

Please note: Keep the spare hinge plate(s) to be able to reverse the door back again.

Operation



Control Panel

ON/OFF (ⓘ) : Press and hold the ON/OFF icon for 3 seconds to turn the appliance on or off. If an alarm sounds, press the On/O icon to Mute the sound.

LIGHT (💡) : Press the Light icon to turn on the LED light inside the appliance. The light has 4 brightness settings: 100%, 75%, 50% and off. Each time you press the light icon, the brightness will change and cycle through the 4 settings. The default is 100% brightness.

Temperature Setting

SET (⬇️) : The temperature of the appliance can be set by pressing the SET arrows on the left and right of the display screens. The temperature will display on the Upper Zone and Lower Zone screens.

The temperature range of the appliance is:
40°F - 50°F in the Upper Zone
50°F - 64°F in the Lower Zone

Set the temperature by pressing the left Set arrow for the Upper Zone and the right Set arrow for the Lower Zone. Each time the arrow is pressed, the temperature decreases in one-degree increments. The selected temperature will flash for 5 seconds on the display and then change back to the current internal temperature until the set temperature has been reached.

To see the set temperature at any time, simply press the arrow icon and it will display on the screen.

If the power goes off for if the appliance is unplugged, the temperatures in the appliance will be saved to memory and the same temperature settings will be activated when the appliance restarts.


Press the arrow (⬇️) and light icon (💡) simultaneously for 3 seconds to change the temperature between °C and °F.

Temperature Alarm - When the high/low temperature alarm is activated, the alarm will sound continuously. Press the On/Off icon to turn it off.


- If the ambient temperature is too high, the display panel will show “HH”
- If the ambient temperature is too low, the display panel will show “LL”



The cooling system will adjust to achieve the acceptable temperature. However, the unit can be unplugged and restarted after 5 minutes.

Note: If the appliance has been unplugged, turned off or has lost power, you must **wait at least 5 minutes** before plugging in or turning on the appliance again. It will not start if turned on sooner.

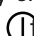

LOCK  : Press and hold the Lock icon for 3 seconds to lock or unlock the control panel. If the icon is illuminated, it indicates that the control panel is locked.

Additional Icons and Functions

Compressor On Indicator  : When the compressor is working, the icon will illuminate to indicate that the appliance is cooling.

ECO mode: Press and hold the Lock  and Set arrow  icons together for 3 seconds to turn on or off ECO mode. In this mode, the light, compressor indicator and display panels will be off. In the ECO – energy saving mode, the symbol ° will illuminate above °C/°F.

Defrost

The evaporator at the back of the appliance defrosts automatically. Ensure there is a pan in place to collect the water that is drained from the unit. Periodically check and empty the pan. To manually defrost, press the On/Off  and Light  icons at the same time for 10 seconds.

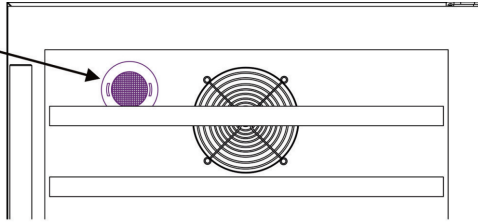
Maintenance

Make sure the power cord is unplugged before moving or cleaning the back of the appliance.

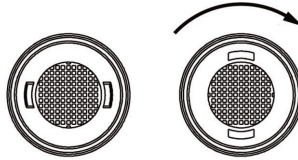
Clean the outside and inside of the appliance regularly, using a damp cloth and mild detergent.

Replace the activated charcoal filter every 3 - 6 months. The charcoal filter is located on the rear panel inside the unit. To order charcoal filter, *contact Customer Service (see p.2)*

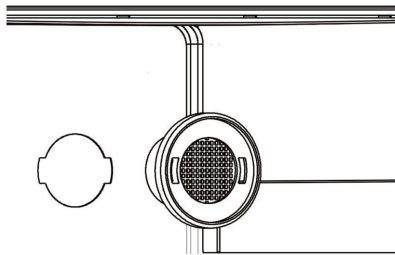
The air refresh charcoal filter is located here



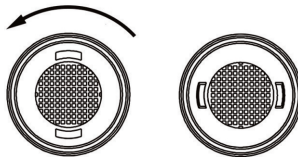
Rotate the filter 1/4 turn to unlock



Pull straight out to remove old filter. Align the tabs and insert the new filter.



Rotate filter 1/4 turn to lock in place



Troubleshooting

Before calling for service, please check the following issues first.

Problem	Possible Cause and Solution
Not Working	<ul style="list-style-type: none">• Check the power source.• Check if it is plugged in correctly to the power source.
Not Cooling	<ul style="list-style-type: none">• Temperature is not set correctly. Adjust the temperature.• Move unit if it is near heat source or direct sunlight• Check for proper ventilation and that air inlet or outlet is not blocked.• Door opened frequently or not shut properly.• Door seal is damaged.• Too many bottles stored on the same shelf.
Too much noise	<ul style="list-style-type: none">• Appliance not placed on flat surface or not level.• Adjust the feet to level it.• Some parts are loose causing rattling.• The appliance is against a wall.
Door does not close properly	<ul style="list-style-type: none">• Check the seal.• Shelves are not positioned properly.• Adjust the shelves.• Check that bottles are stored correctly and fit in the cabinet.
Error Codes E1, E2	Air temperature sensor failure. Call for service.

The following are normal:

- Moisture on the glass door – wipe with dry cloth
- Sound of fluid is the compressor when it is starting or stopping
- Flowing sound of refrigerant in the refrigeration system
- Condensation forming inside the cabinet – wipe with dry cloth

Specifications Table

Model	WR 52
Capacity	4.76 cu. ft.
Storage	52 Bottles
Electrical	115V / 60Hz
Current	1.25 Amp
Refrigerant	R600a
Temperature Range - Upper Zone	40°- 50°F
Temperature Range - Lower Zone	50°- 64 °F
Net Weight	121 lbs
Product Dimensions (HxWxD)	33.9" x 23.4" x 23.6"

California Proposition 65

WARNING: This product contains chemical known to the State of California to cause cancer and birth defects or other reproductive harm.



Equator Advanced Appliances USA,
founded in 1991, offers Efficient, High-Quality,
and Innovative household appliances.

Our Mission is to simplify domestic chores
and save Time, Space, and Energy.

Our Vision is to enhance our Customer's
Quality of Life!

Equator Appliances USA

www.EquatorAppliances.com