

K 2802 SF

MasterCool™ refrigerator

For high-end design and technology on a large scale.

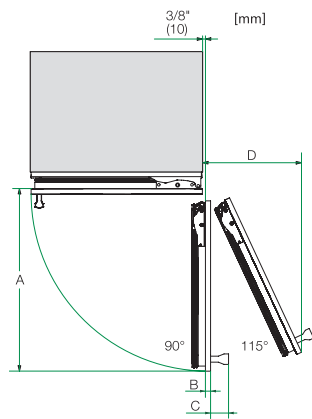


- Push2open for convenient door-opening assistance
- Food stays fresh for up to 3 x longer thanks to SmartFresh
- Light floods the interior thanks to LED elements – BrilliantLight
- Convenient control thanks to color touch display MasterSensor

EAN: 4002516321811 / Material number: 11502700 /
Old Material Number: 36280211USA

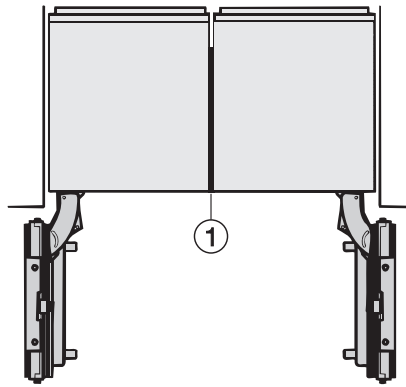
Appliance category	
Fridge	•
Design	
Built-in	•
Built-in integrated	•
Door hinge side	right
Convertible hinging	•
Can be installed side-by-side	•
Design	
Front color	Stainless steel/CleanSteel
Lighting	BrilliantLight
User convenience	
Networking with Miele@home	•
Electronic temperature display and control	MasterSensor
Freshness system	MasterFresh
SuperCool	•
Sabbath mode	•
DynaCool	•
SoftClose door closing damper	•
SelfClose	•
Push2open	•
FullAccess	•
EasyClean	•
MaxLoad hinge	•
Control	
Independent temperature control of fridge and freezer compartments	No
No. of temperature zones	2
Eco mode	•
Fridge/fridge zone	
Height-adjustable, full-width tempered glass shelves	2
Number of VeggieBoxes	1
No. of PerfectFresh drawers	2
SlidingShelf	•
Door rack for tins	1
Inner door racks for bottles	3
Safety	
Lock function	•
Spill-proof glass shelves	•
Acoustic door alarm	•
Acoustic temperature alarm, freezer section	•
Optical door alarm	•
Optical temperature alarm	•
Technical data	
Niche width in inches (mm), min.	30 (762)
Niche width in inches (mm), max.	30 (762)
Niche height in inches (mm), min.	84 1/8 (2134)
Niche height in inches (mm), max.	84 1/8 (2134)

K 2802 SF MasterCool™ refrigerator For high-end design and technology on a large scale.



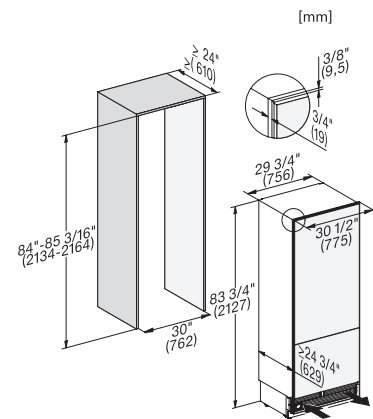
Opening angle 90°/115°, right side stop, MasterCool (Sketch) *footnote

A) Appliance door width, K 2601 Vi, K 2601 SF, KWT 2601 Vi, KWT 2601 SF, KWT 2661 ViS, KWT 2661 SFS: 677 mm (26 2/3 inch), K 2602 Vi, K 2602 SF, KWT 2602 Vi, KWT 2602 SF, KWT 2662 ViS, KWT 2662 SFS: 677 mm (26 2/3 inch), K 2801 Vi, K 2801 SF, KF 2801 Vi, KF 2801 SF: 829 mm (32 2/3 inch), K 2802 Vi, K 2802 SF, KF 2802 Vi, KF 2802 SF: 829 mm (32 2/3 inch), K 2901 Vi, K 2901 SF, KF 2901 Vi, KF 2901 SF: 982 mm (38 2/3 inch), K 2902 Vi, K 2902 SF, KF 2902 Vi, KF 2902 SF: 982 mm (38 2/3 inch); B) Furniture front (max. 38 mm) (1 1/2 inch), C) Door handle, D) Distance door to wall (without furniture front and door handle), K 2601 Vi, K 2601 SF, KWT 2601 Vi, KWT 2601 SF, KWT 2661 ViS, KWT 2661 SFS: 296 mm (11 2/3 inch), K 2602 Vi, K 2602 SF, KWT 2602 Vi, KWT 2602 SF, KWT 2662 ViS, KWT 2662 SFS: 296 mm (11 2/3 inch), K 2801 Vi, K 2801 SF, KF 2801 Vi, KF 2801 SF: 363 mm (14 1/3 inch), K 2802 Vi, K 2802 SF, KF 2802 Vi, KF 2802 SF: 363 mm (14 1/3 inch), K 2901 Vi, K 2901 SF, KF 2901 Vi, KF 2901 SF: 428 mm (16 7/8 inch), K 2902 Vi, K 2902 SF, KF 2902 Vi, KF 2902 SF: 428 mm (16 7/8 inch), E) ONLY valid for SF versions: A + 25 mm (1 inch)

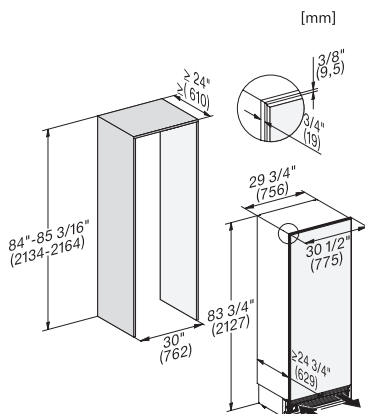


Side-by-side, MasterCool, without partition wall, with heating mat (Sketch) (with footnote)

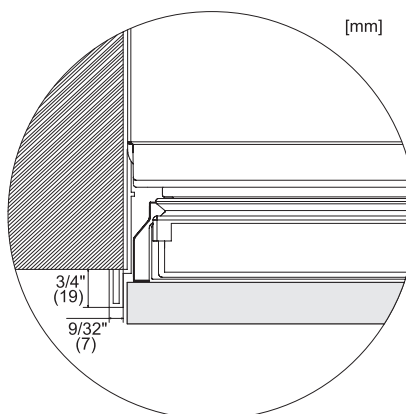
1) Heating mat KSK 2001 (EU, AUS, CN) or KSK 2002 (US, CA, MX, BR)



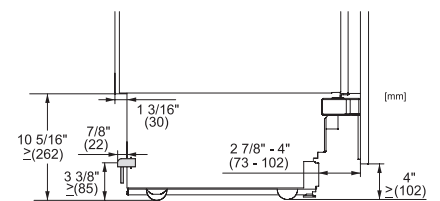
KF2802SF, KF2812SF, KF2801SF, KF2811SF, Installation, MasterCool II, installation drawings (US, CA)



K2801SF, K2811SF, K2802SF, K2812SF, MasterCool, installation drawings

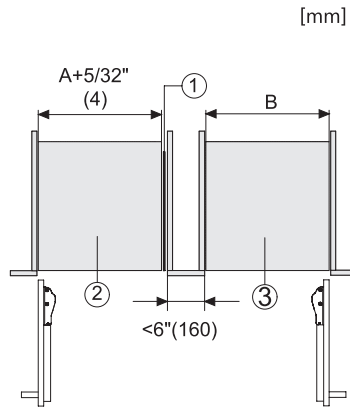


MasterCool, top view, doorway, installation drawings

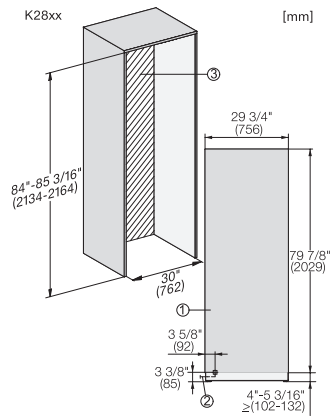


Sideview, MasterCool, Sketch

K 2802 SF
 MasterCool™ refrigerator
 For high-end design and technology on a large scale.



Side-by-Side, MasterCool, footnote, installation drawings
 1. KSK 2001/2002, 2. Device A, 3. Device B, A = niche device A, B = niche device B



K2801Vi, K2811Vi, K2801SF, K2811SF, installation, MasterCool, *footnote, installation drawings
 1. View from the front, 2. Mains connection cable, L = 3000 mm (118 inch), 3. No water/ELT connections permitted in this area