

Forte Hood Banding Kit Installation Instructions

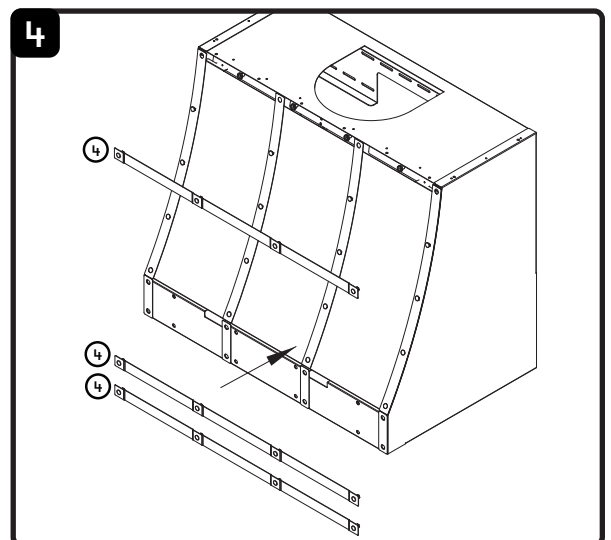
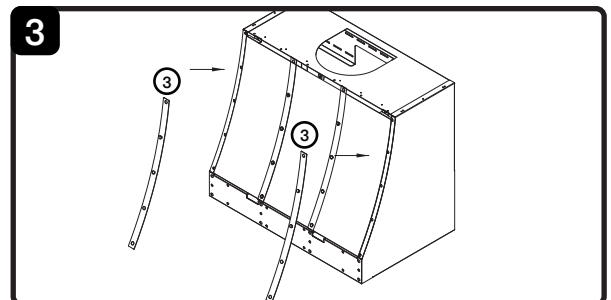
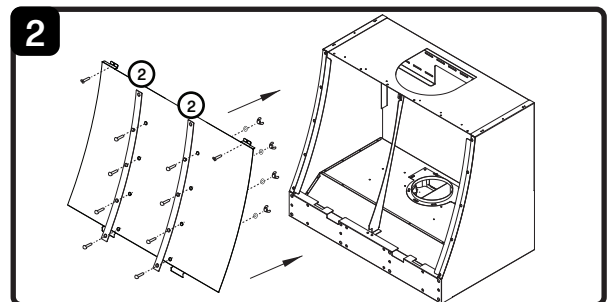
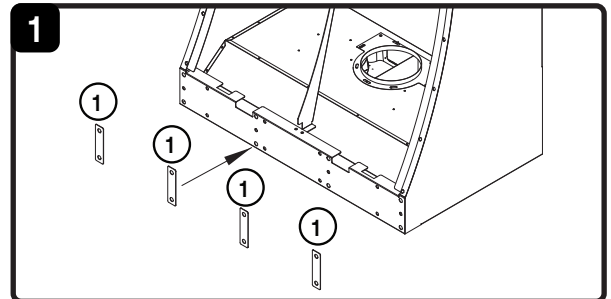
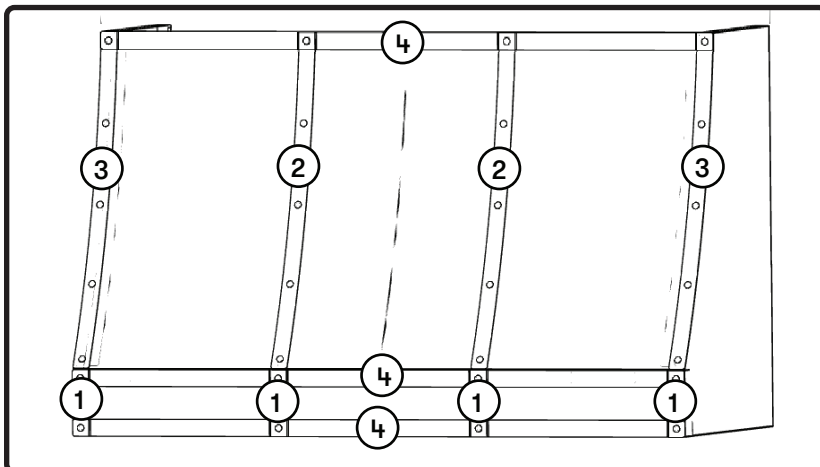
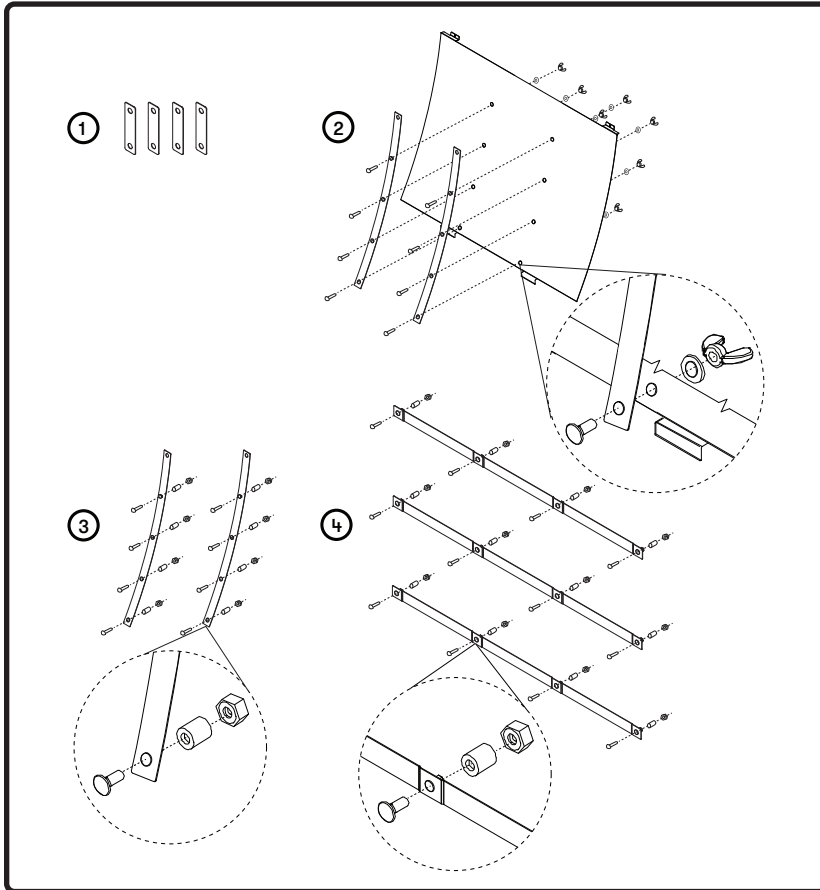
① #1 BAND

②  + #2 BAND + FRONT PANEL +  + 

③  + #3 BAND +  + 

④  + #4 BAND +  + 

BKFT36APC BKFT48APC
BKFT36AMB BKFT48AMB
BKFT36APG BKFT48APG
BKFT36ASG BKFT48ASG



See Forte hood installation instructions for more installation details. Use the bushings, washers, and wingnuts inside the Hood Banding Hardware packet, included with the hood, to complete assembly.