



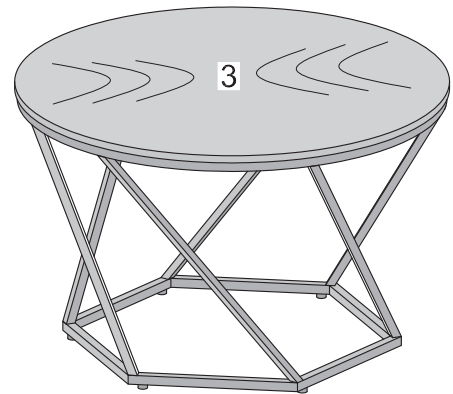
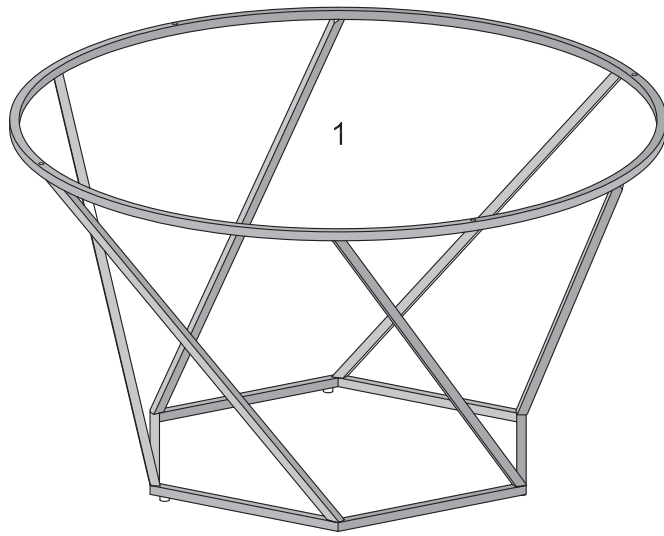
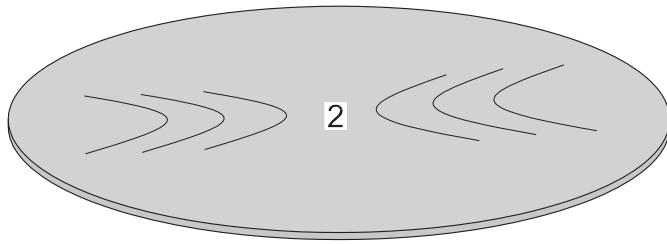
Assembly Instructions



For the most current instructions, additional assembly tips, to report damage or request parts, please visit our website at www.walkeredison.com.

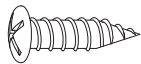
Revised 03/2017

Parts List



Hardware List

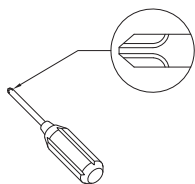
A



Ø4*20mm

Screw

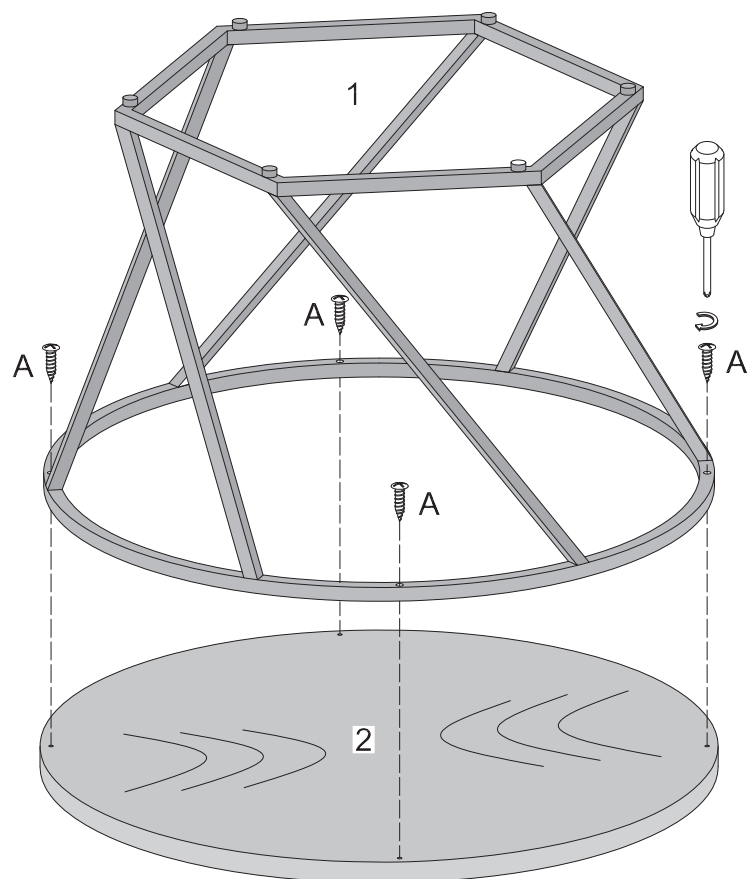
4 pcs



Phillips head screwdriver required for assembly
(not included)

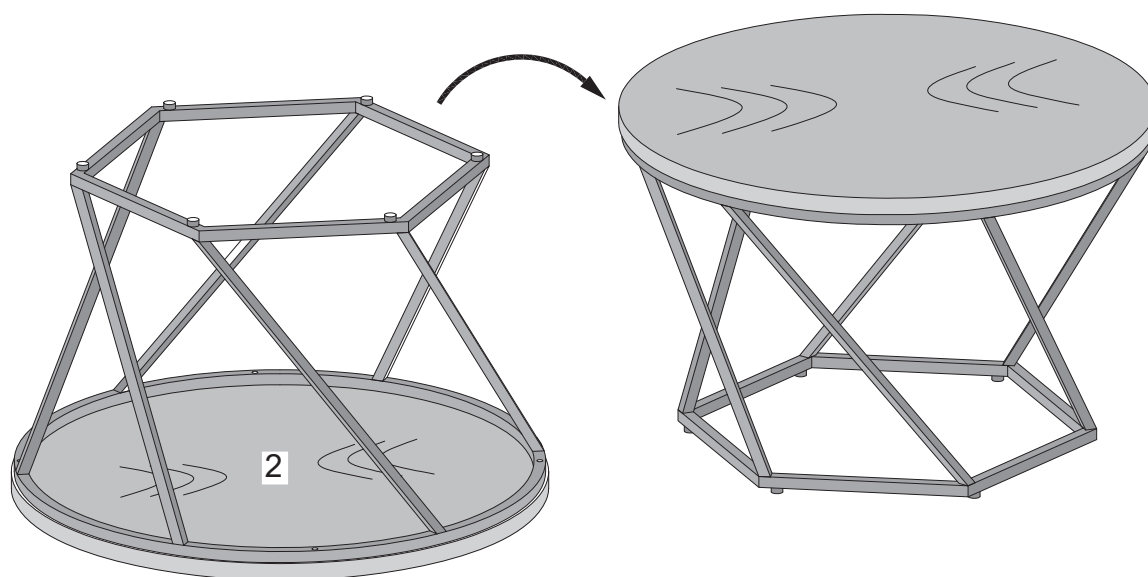
*The hardware quantities listed above are required for proper assembly.
Some extra hardware may also have been included.*

Step 1



Secure the screw (A) to the metal base (1) to the table top (2).

Step 2



Turn around the table as per diagram.

Step 3



Final Assembly