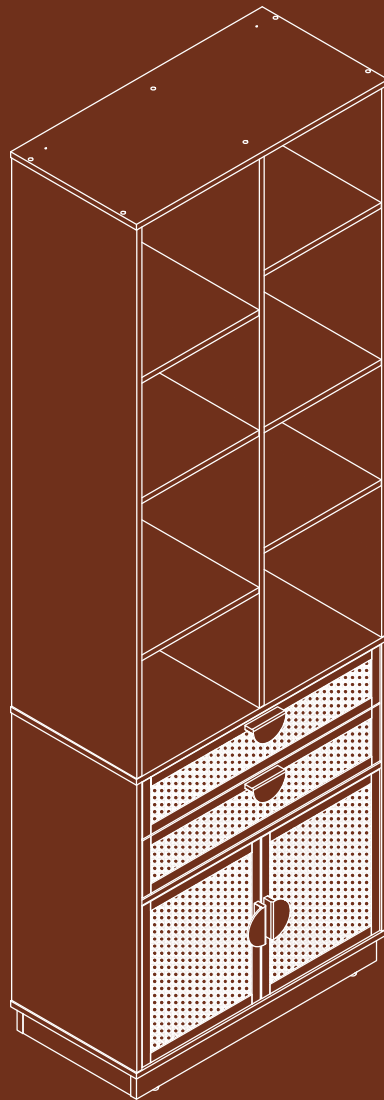




ModernMate

# ASSEMBLY INSTRUCTION



Bookcase

## **INTRODUCTION**

Thank you for purchasing our products. Please read the instructions carefully before installation and keep it in a safe place for future reference. If you need any assistance or support, please feel free to contact our customer support team.

## **PRECAUTIONS**

1. There are many components and accessories in the package. Each component and accessory is labeled with a letter or a number, check carefully before using any of them. Keep them away from children to prevent accidents.
2. Please install the product on a clean and soft underlay (such as carpet or cardboard) to avoid scratching or damaging the surface of the product.
3. The main components of the product is relatively heavy. Please pay attention to safety during installation.
4. The product is not stable during installation. Please do not move it randomly before it is completely installed.
5. If you have any questions during installation, please contact the customer service in time.

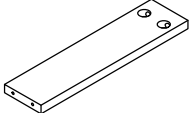
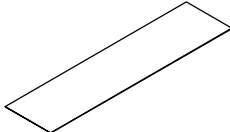
- \* **Please be sure to follow the installation steps in the manual to avoid unnecessary losses caused by improper installation.**
- \* **If you need further assistance, please contact the customer service online.**

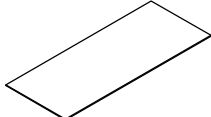
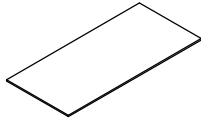
## Parts List

ID	Parts	QTY
1		1
2		1
3		1
4		1
5		1
6		1
7		1
8		1
9		2
10		1

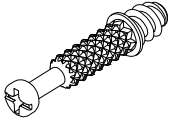

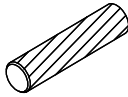
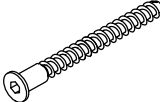
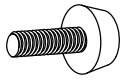
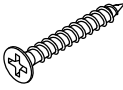
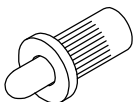

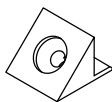
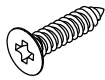
ID	Parts	QTY
11		2
12		2
13		1
14		1
15		3
16		3
17		2
18		2
19		2
20		2

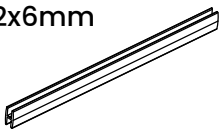

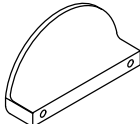
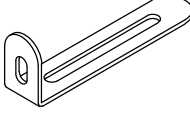
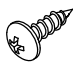
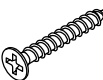
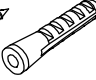


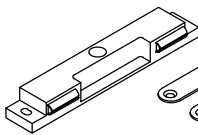





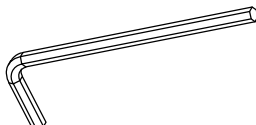
## Parts List

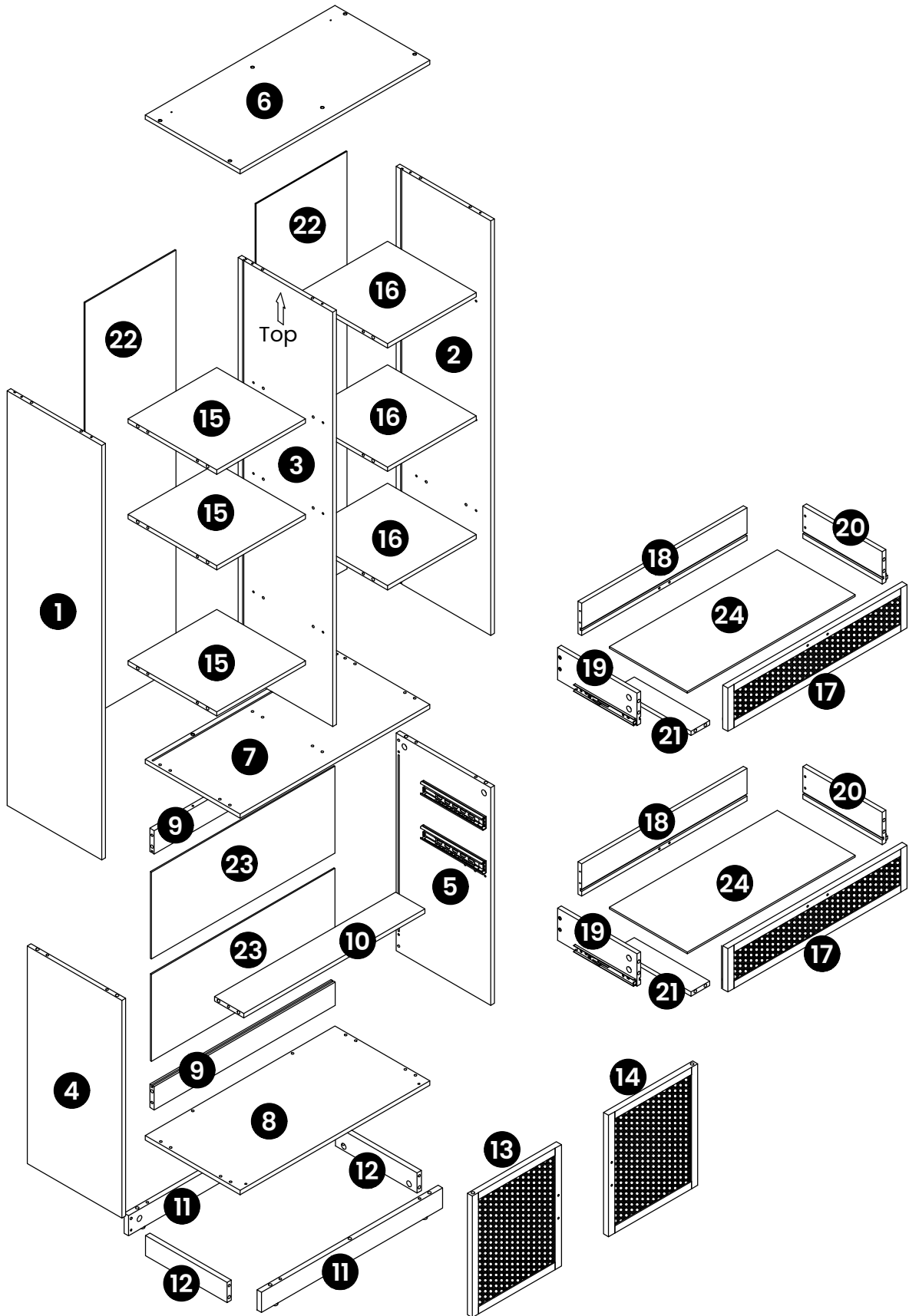
ID	Parts	QTY
21		2
22		2

ID	Parts	QTY
23		2
24		2

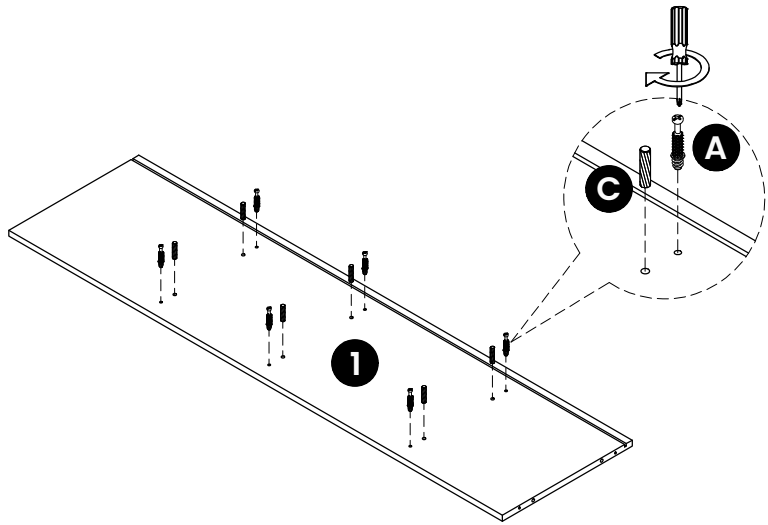
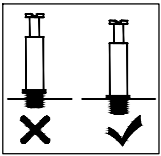
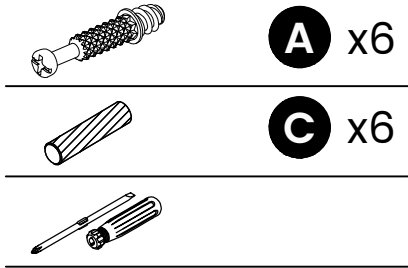
# Hardware List

ID	Parts	QTY
<b>A</b>	Ø6x34mm 	58+2
<b>B</b>	Ø15x9.5mm 	58+2
<b>C</b>	Ø6x30mm 	58+2
<b>D</b>	M5x50mm 	20+1
<b>E</b>		4
<b>F</b>	Ø4x35mm 	12+1
<b>G</b>		4+1
<b>H</b>	Ø3.5x12mm 	4
<b>I</b>		26+1
<b>J</b>	Ø3x17mm 	26+1

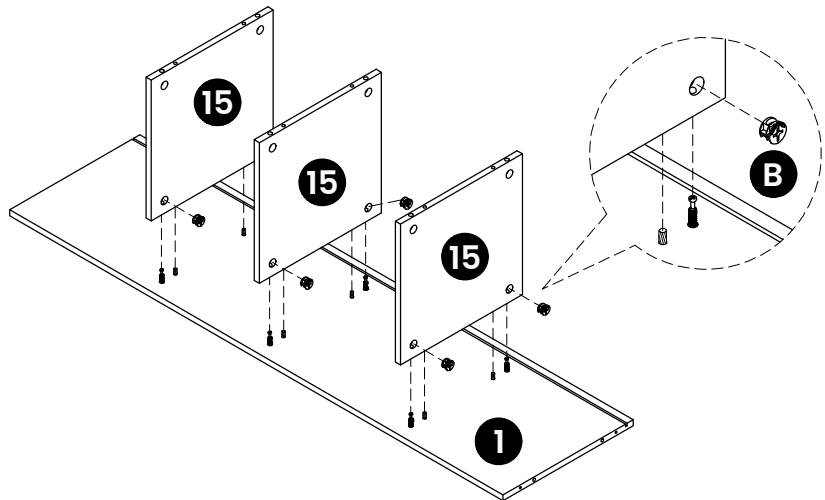
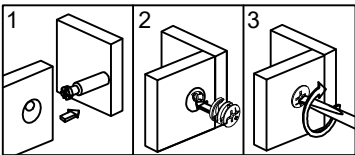
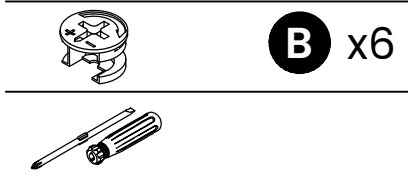
ID	Parts	QTY
<b>K</b>	576x12x6mm 	1
<b>L</b>	M4x18mm 	8
<b>M</b>		4
<b>N</b>	 	2
<b>O</b>	  	2
<b>P</b>	Ø3.5x14mm 	2
<b>Q</b>	 	1
<b>R</b>		8
<b>S</b>	  Fig.1 --OR--  Fig.2	1
<b>T</b>		1



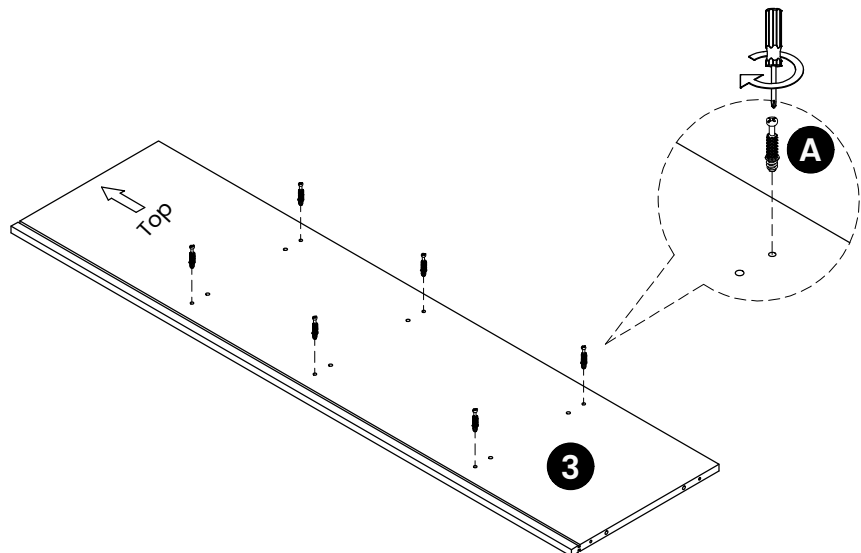
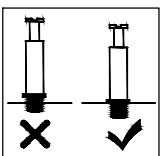
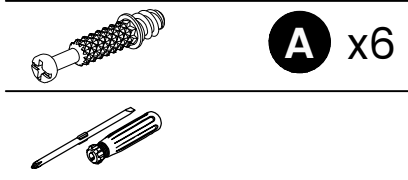
## STEP 1






## STEP 2

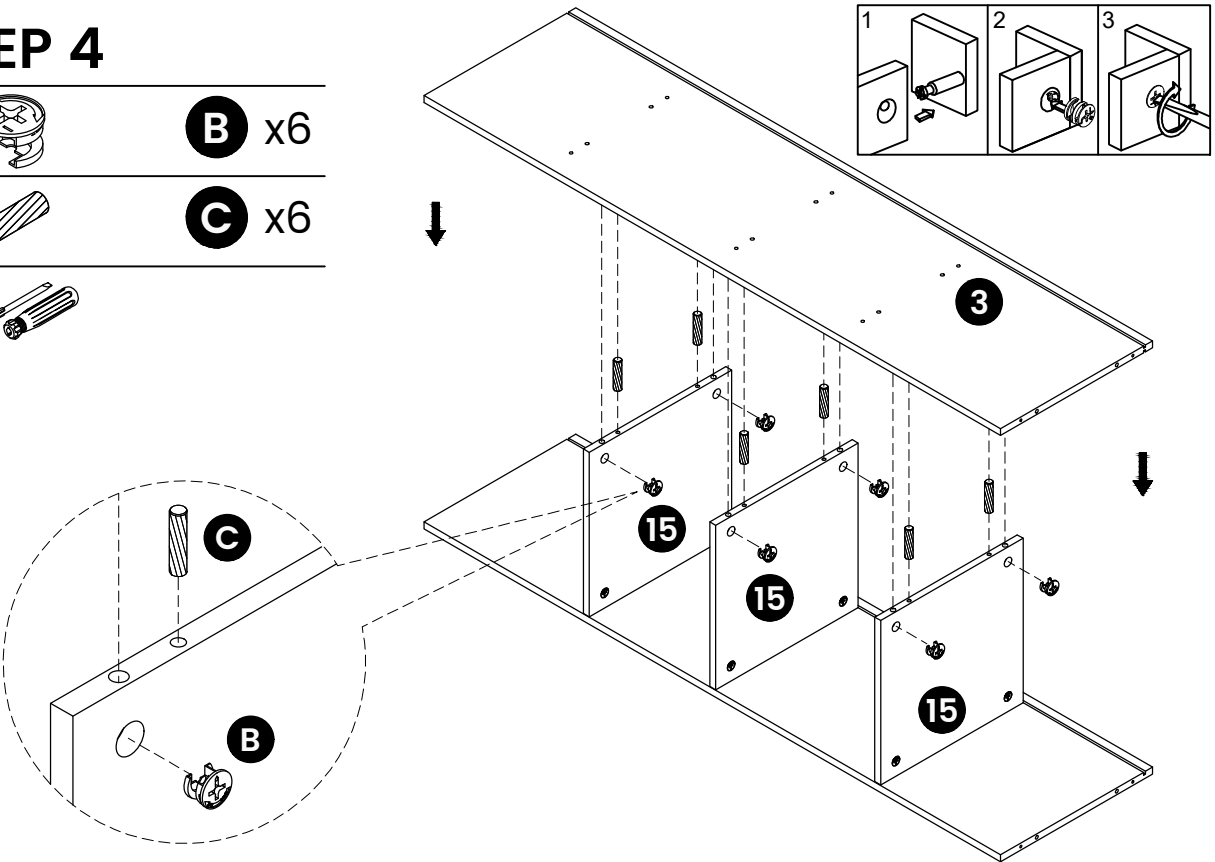


## STEP 3

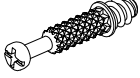




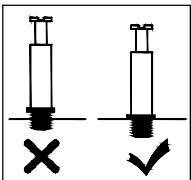
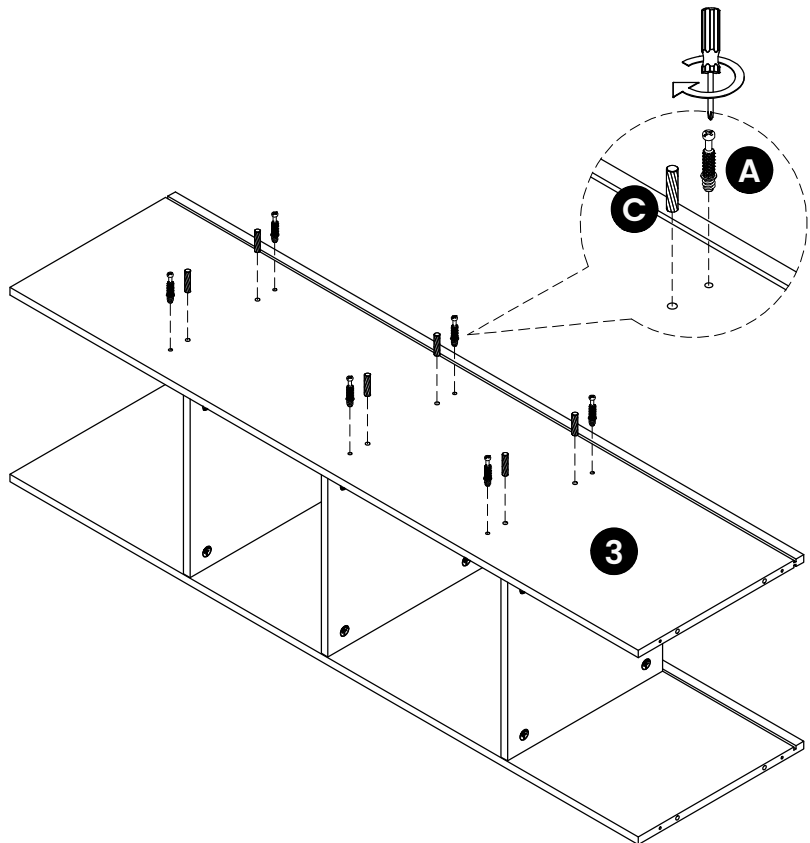
## STEP 4

-  **B** x6
-  **C** x6
- 



## STEP 5

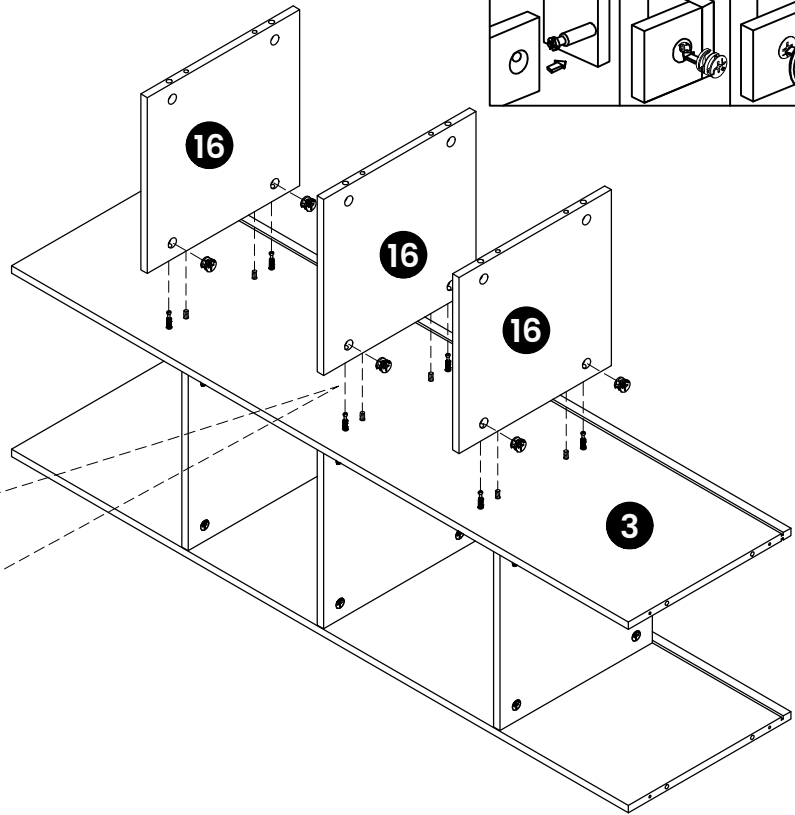
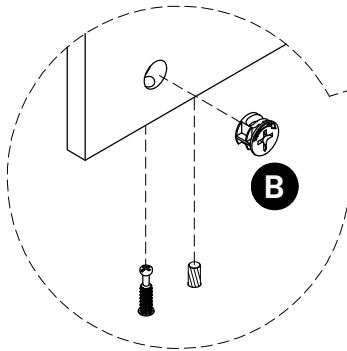
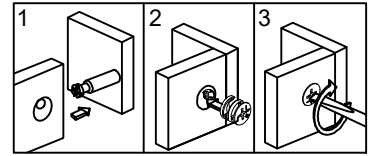
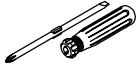
-  **A** x6
-  **C** x6
- 



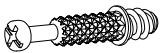
**STEP 6**



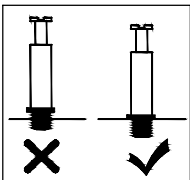
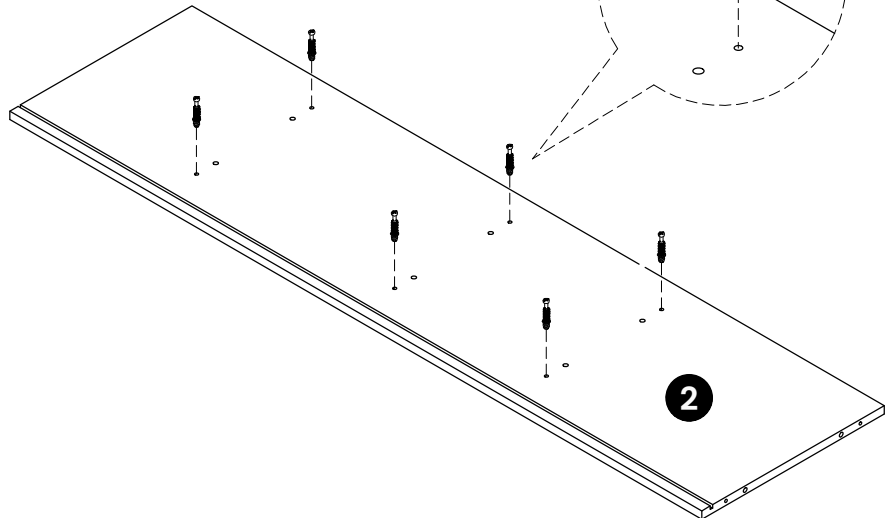
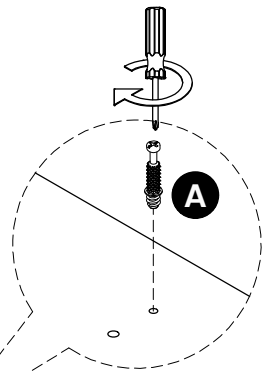
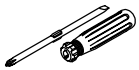
**B** x6





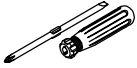
**STEP 7**

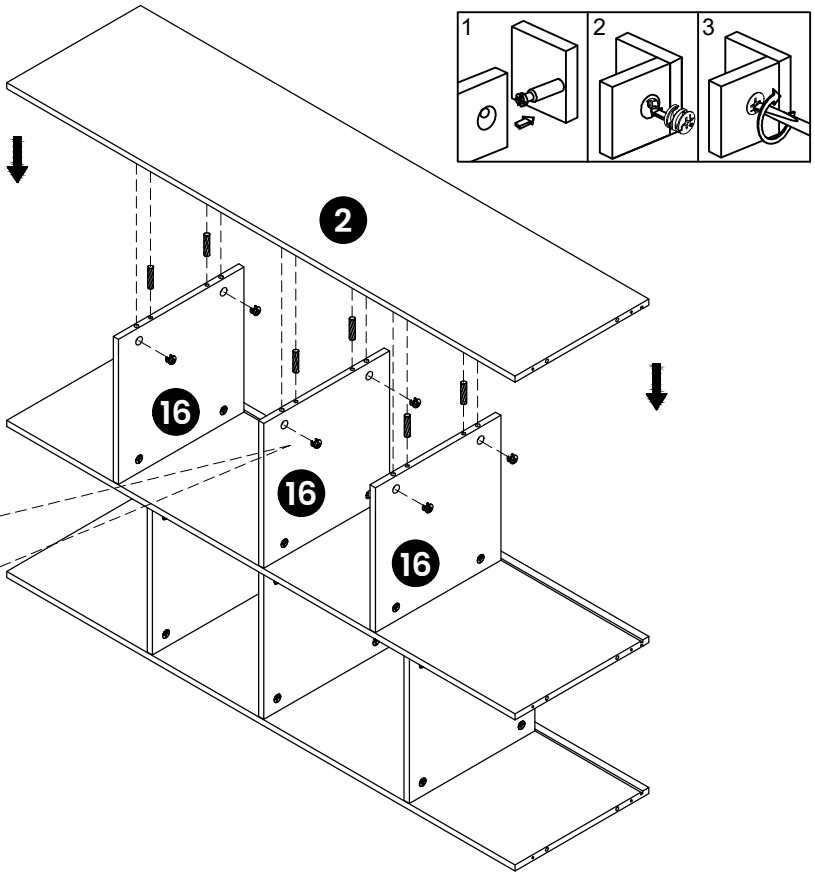
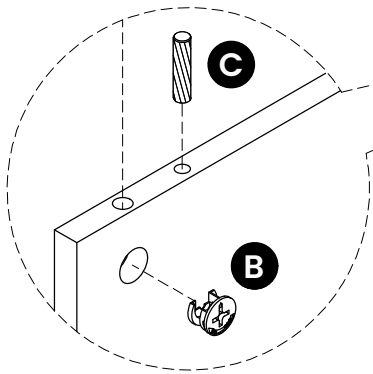


**A** x6

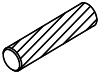




**STEP 8**

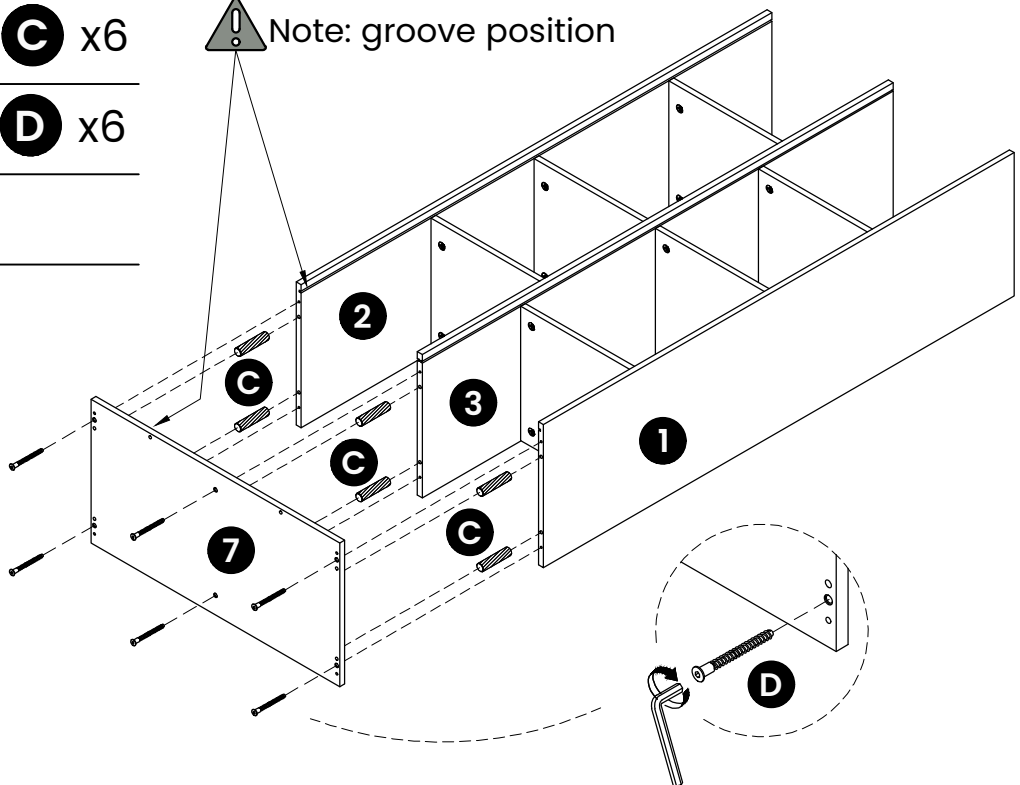
-  **B** x6
-  **C** x6
- 



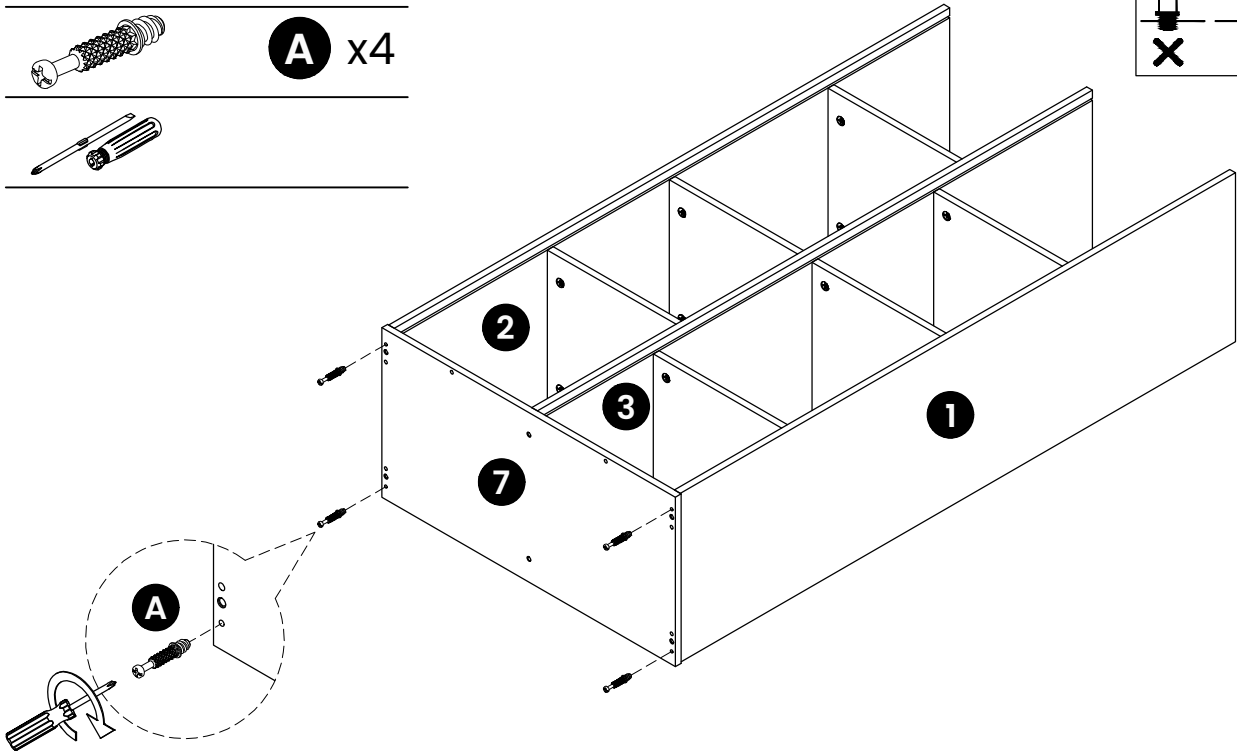
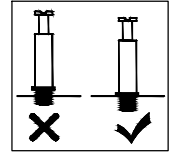
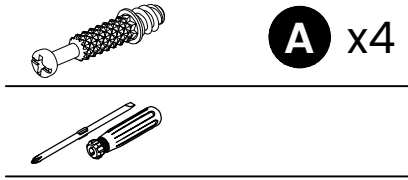
**STEP 9**

-  **C** x6
-  **D** x6
- 

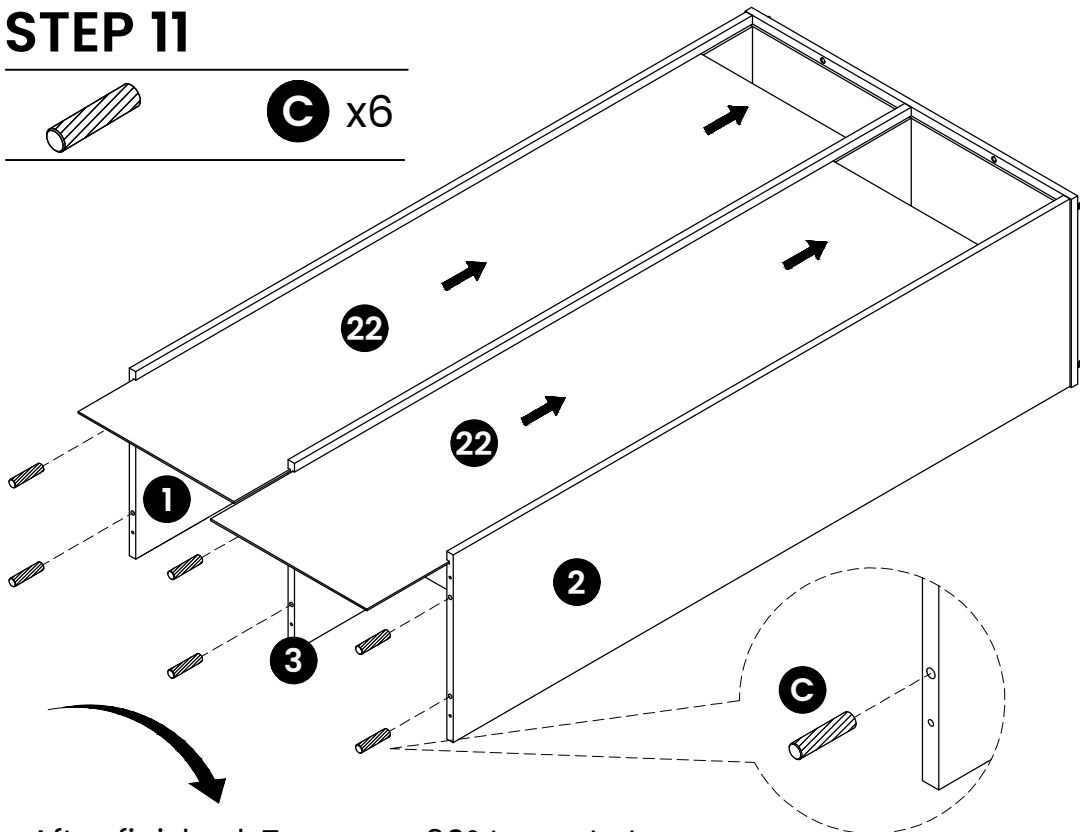
 Note: groove position



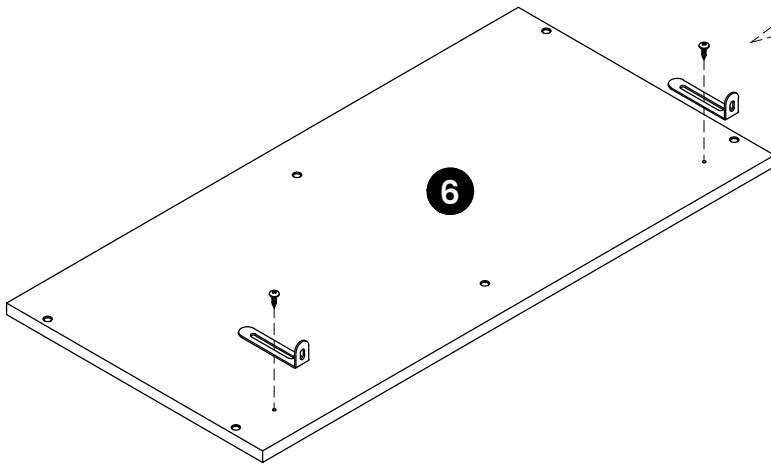
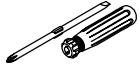
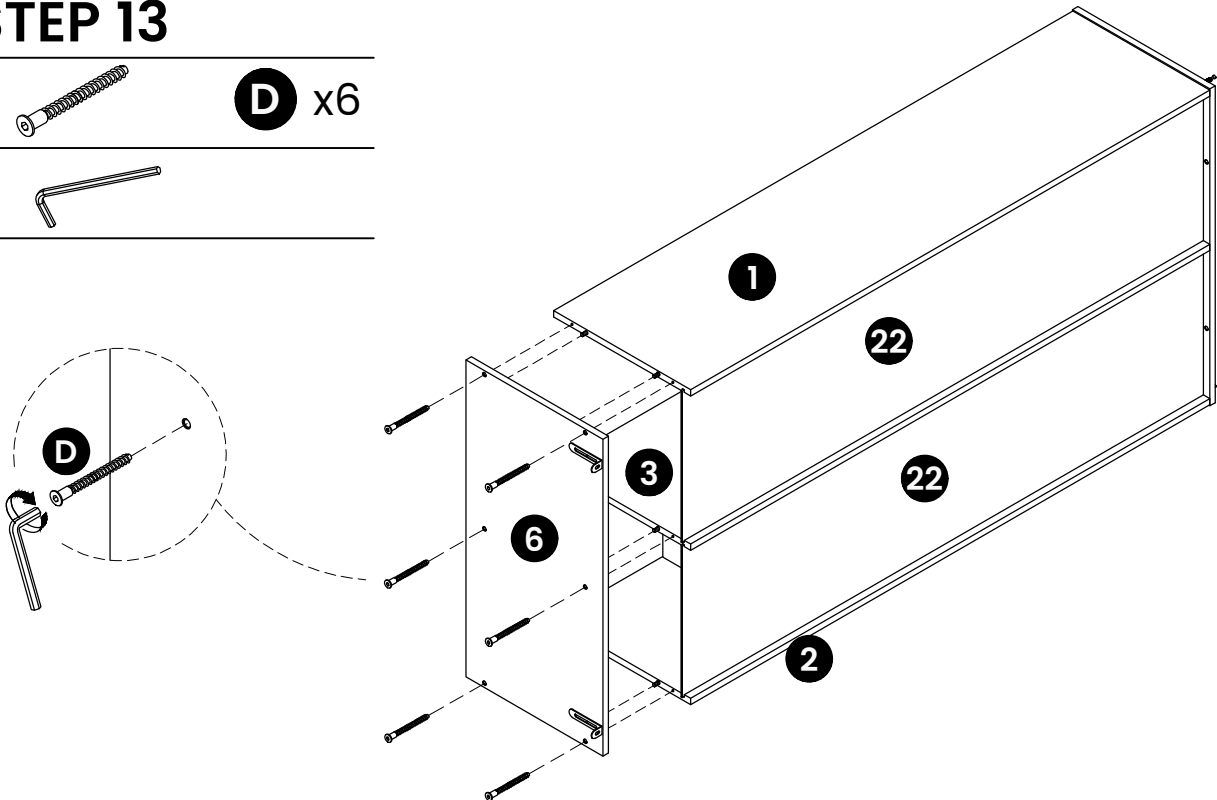
## STEP 10



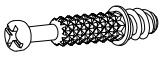
## STEP 11



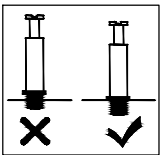
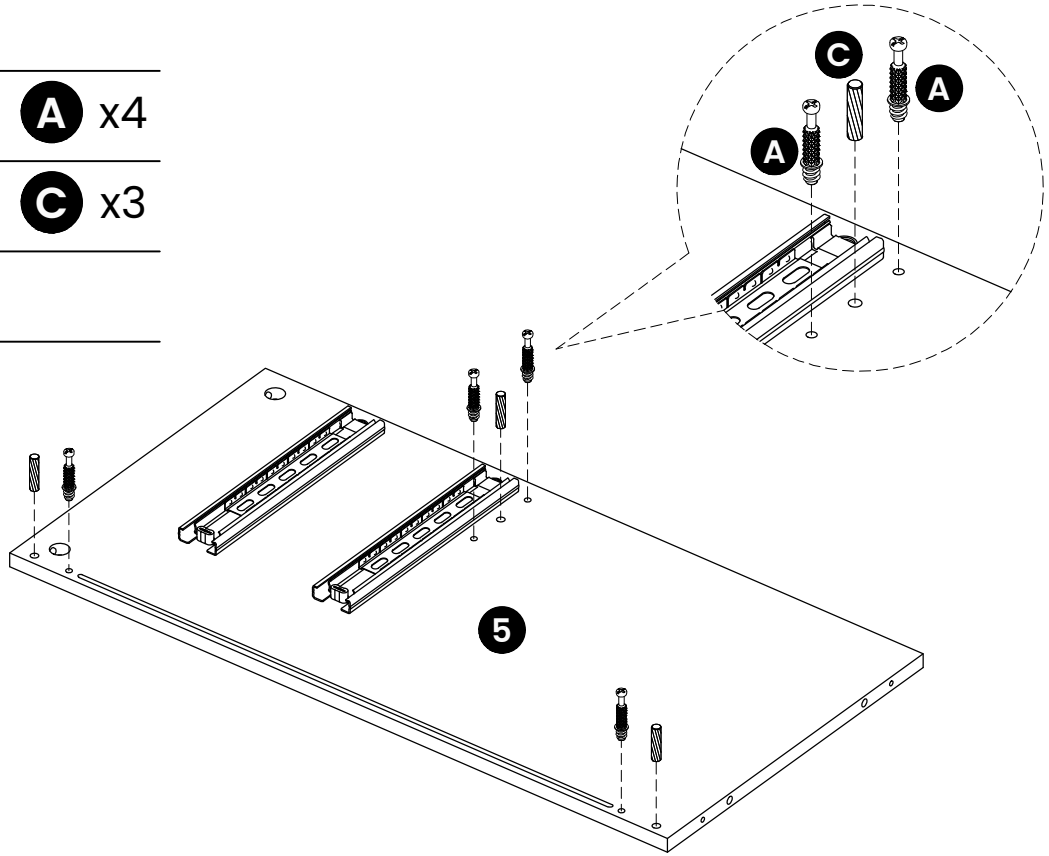
After finished: Turn over 90° to next step

**STEP 12****STEP 13**

**STEP 14**

 **A** x4

 **C** x3

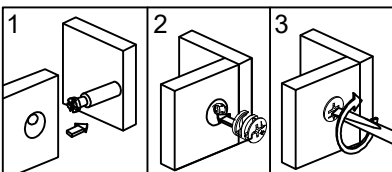
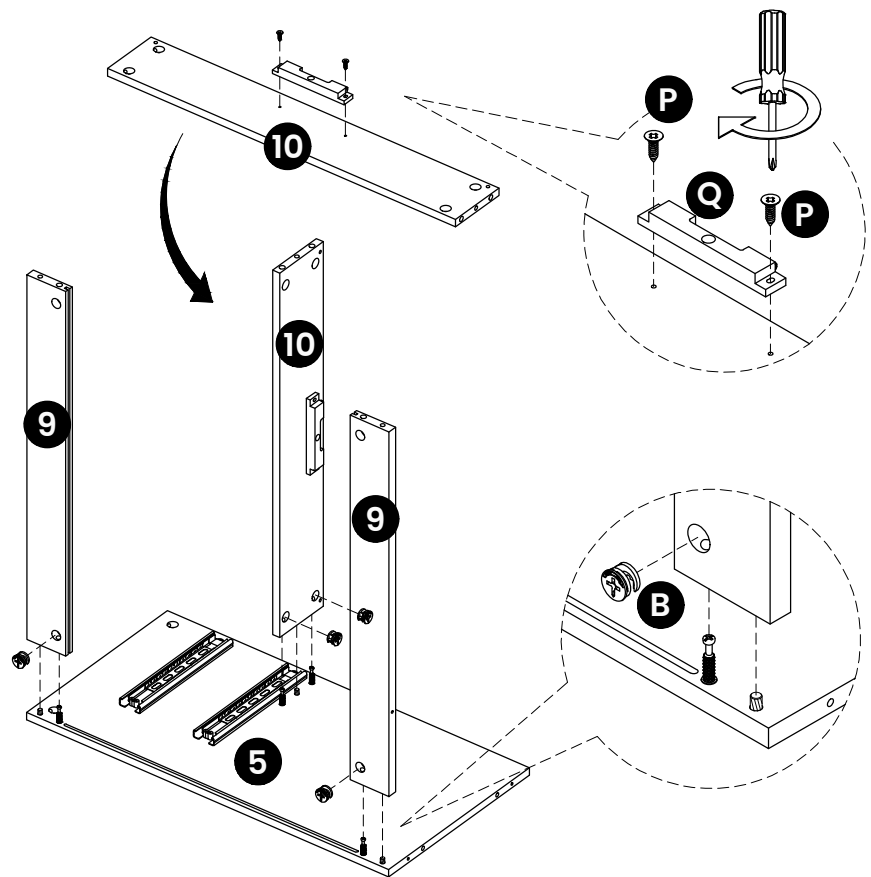
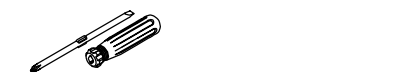


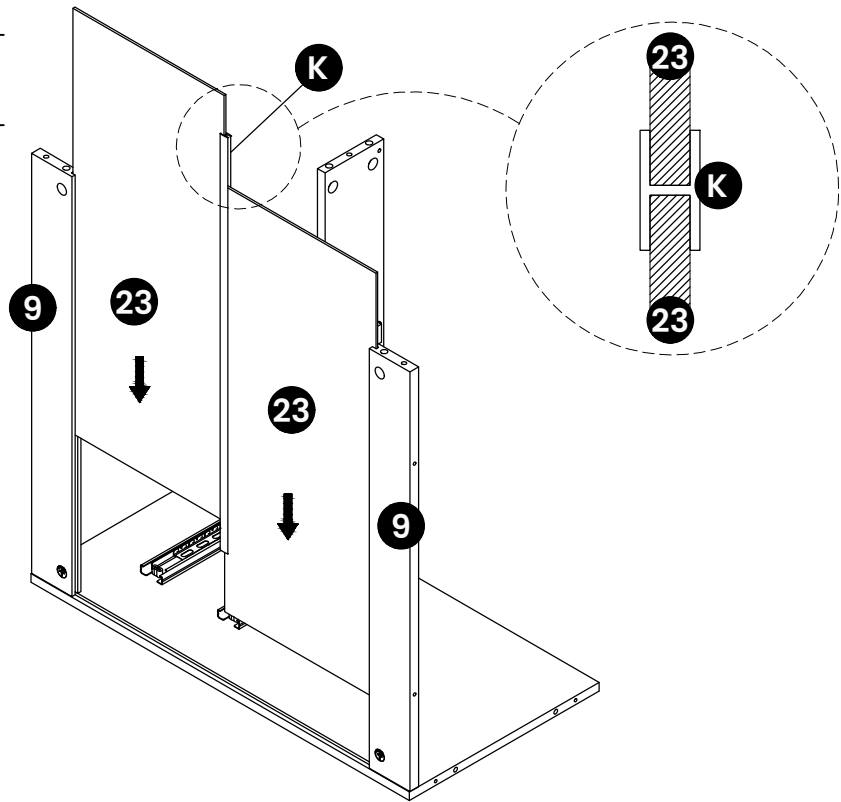
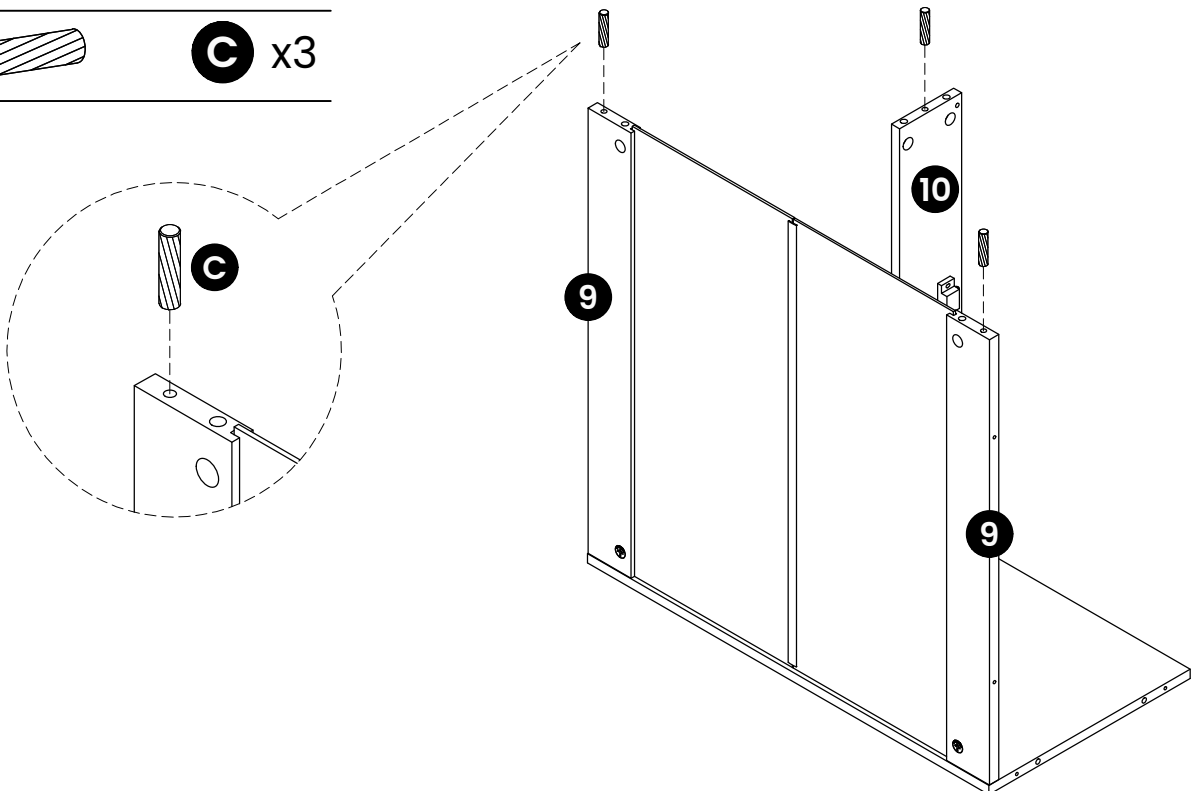
**STEP 15**

 **B** x4

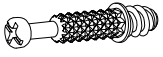
 **P** x2

 **Q** x1



**STEP 16****K** x1**STEP 17****C** x3

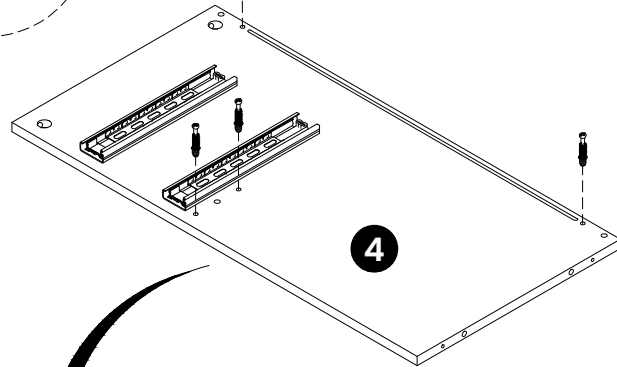
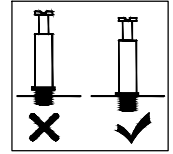
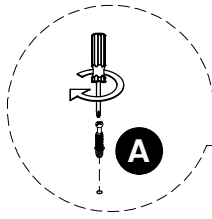
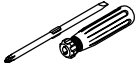
## STEP 18



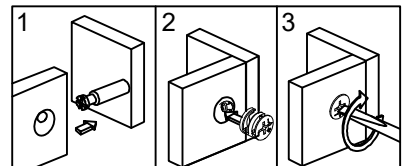
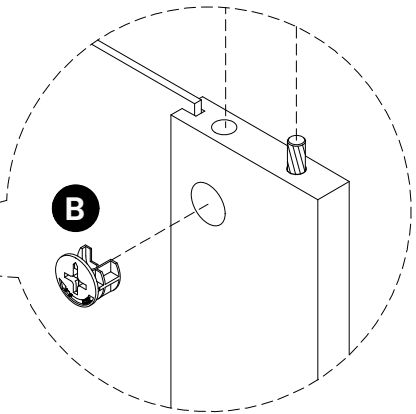
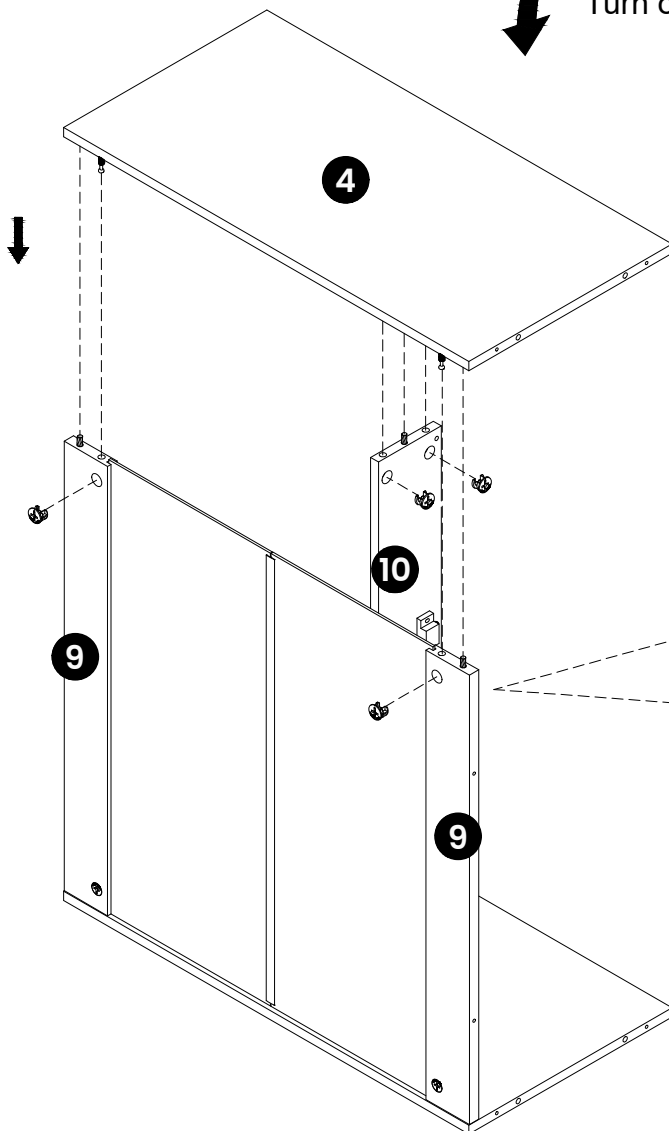
**A** x4

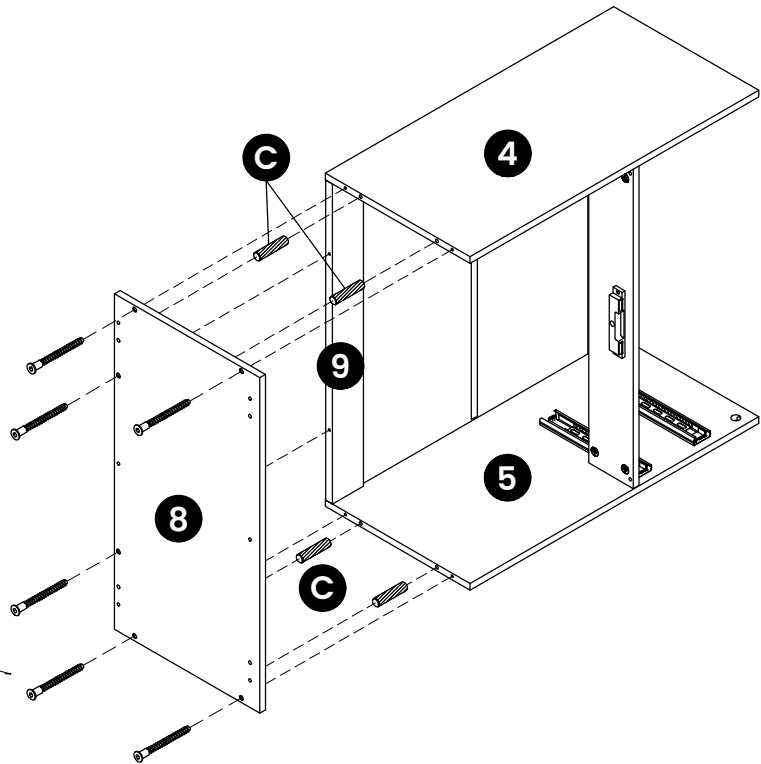
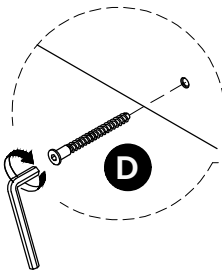
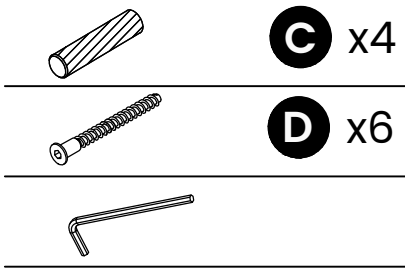
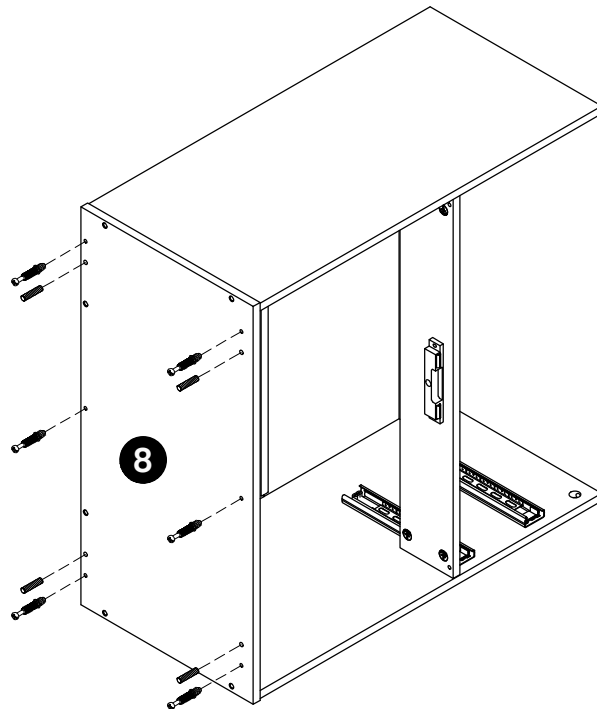
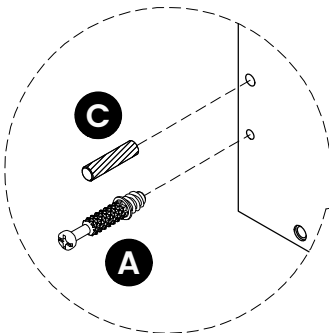
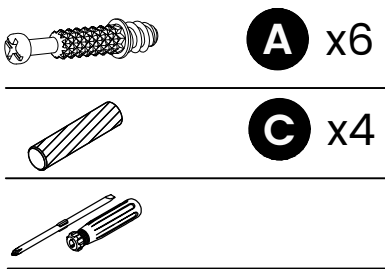


**B** x4

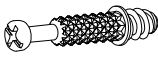


Turn over 180°



**STEP 19****STEP 20**

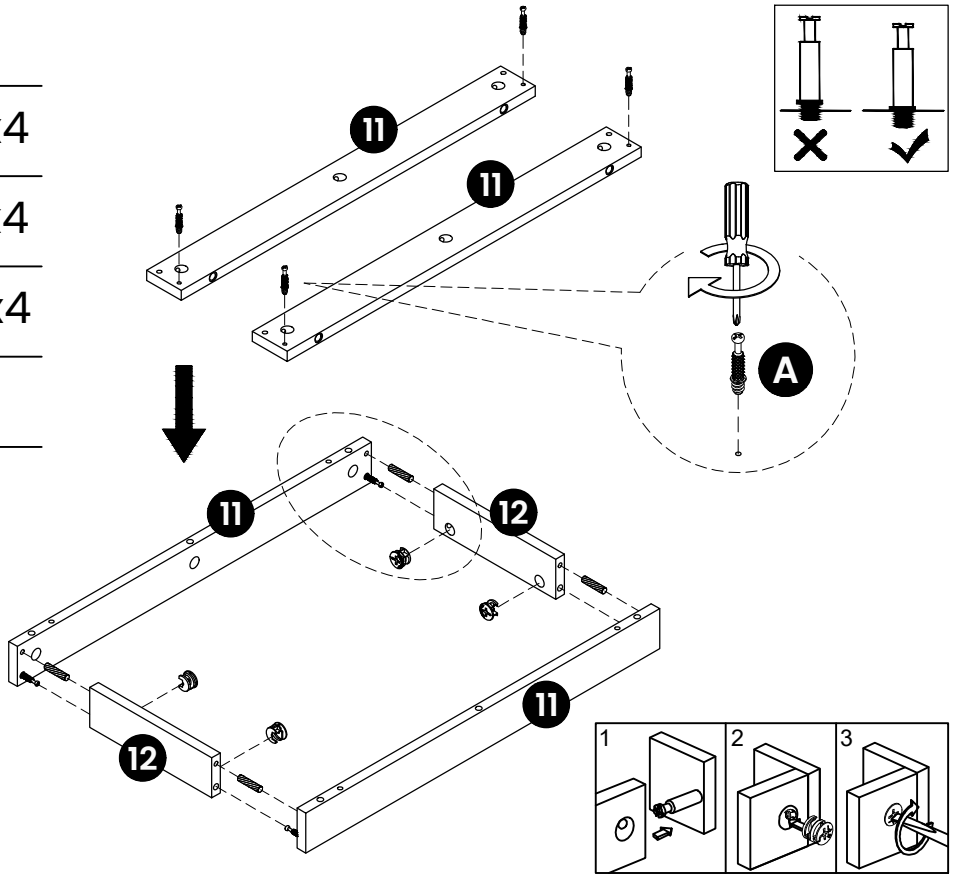
**STEP 21**

 **A** x4

 **B** x4

 **C** x4

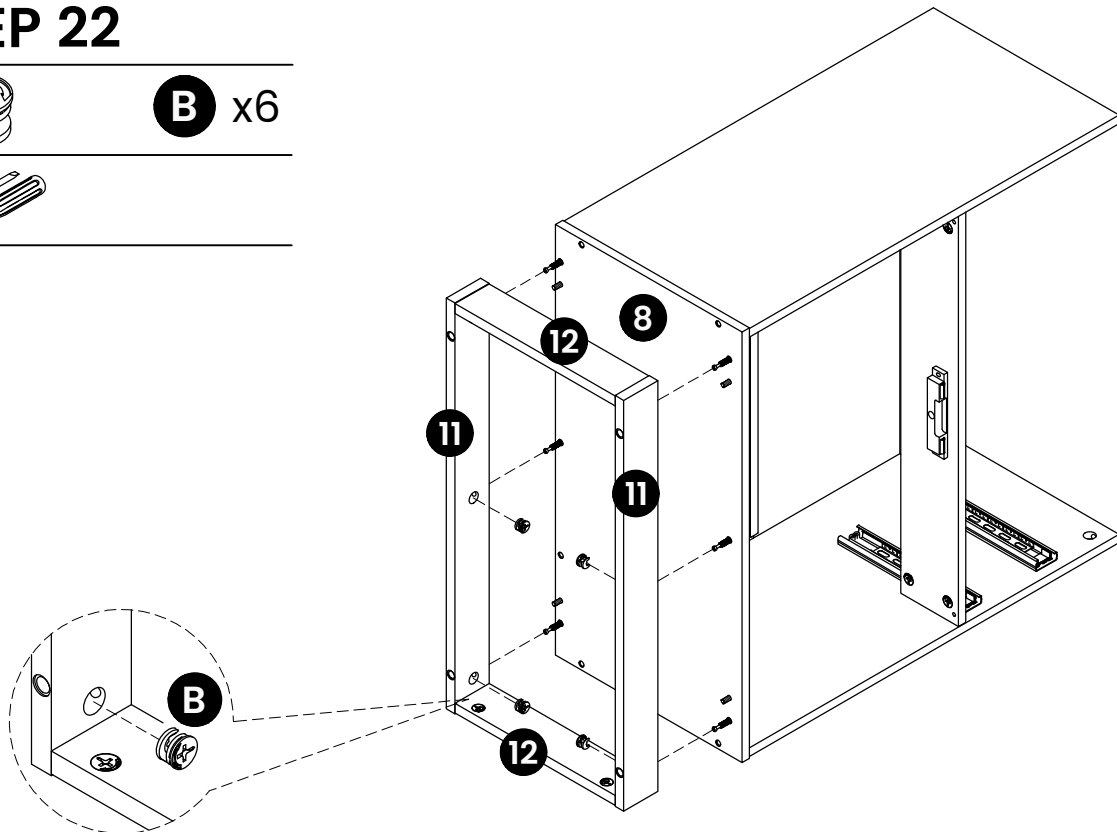


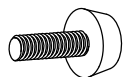
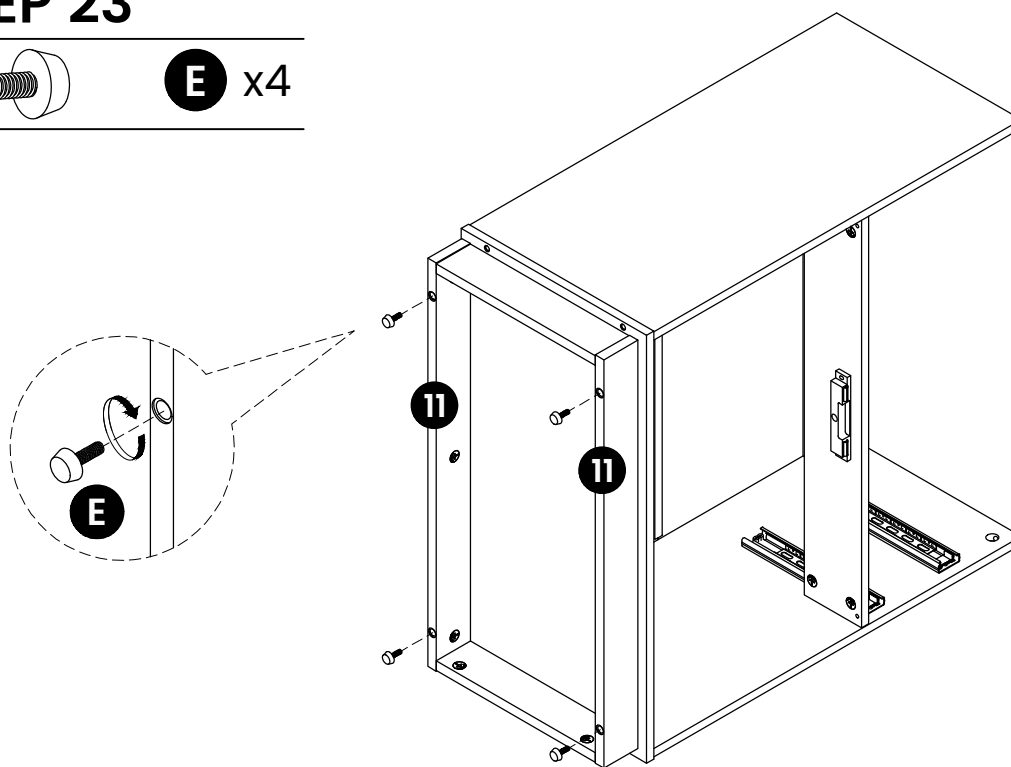
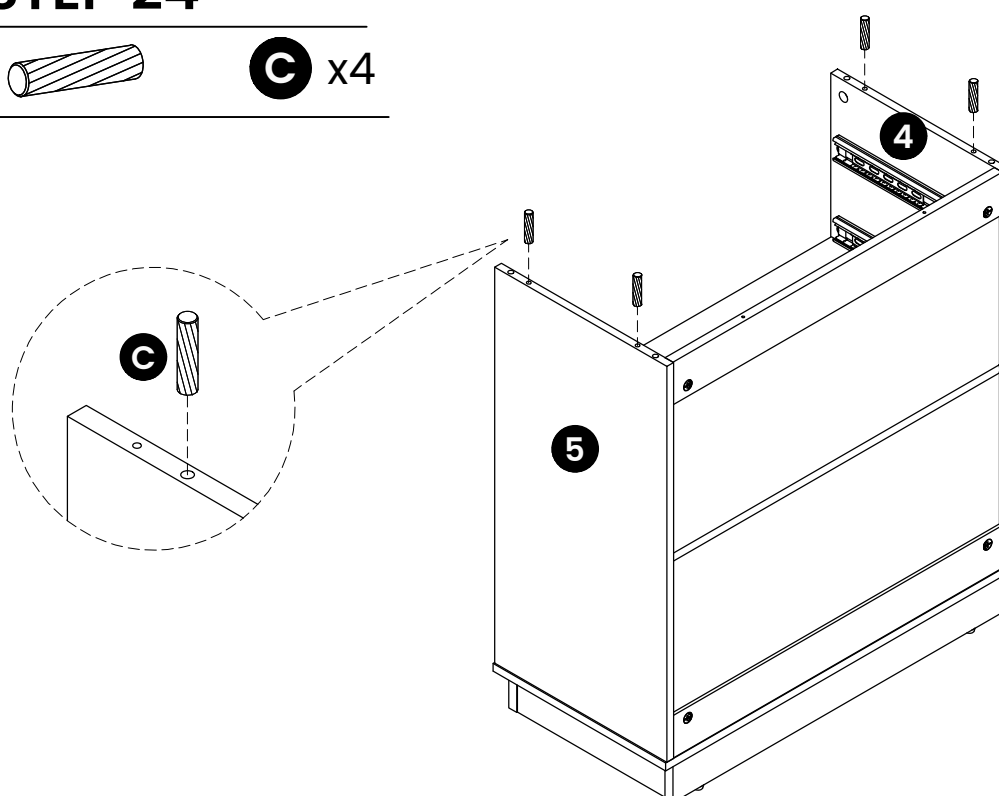


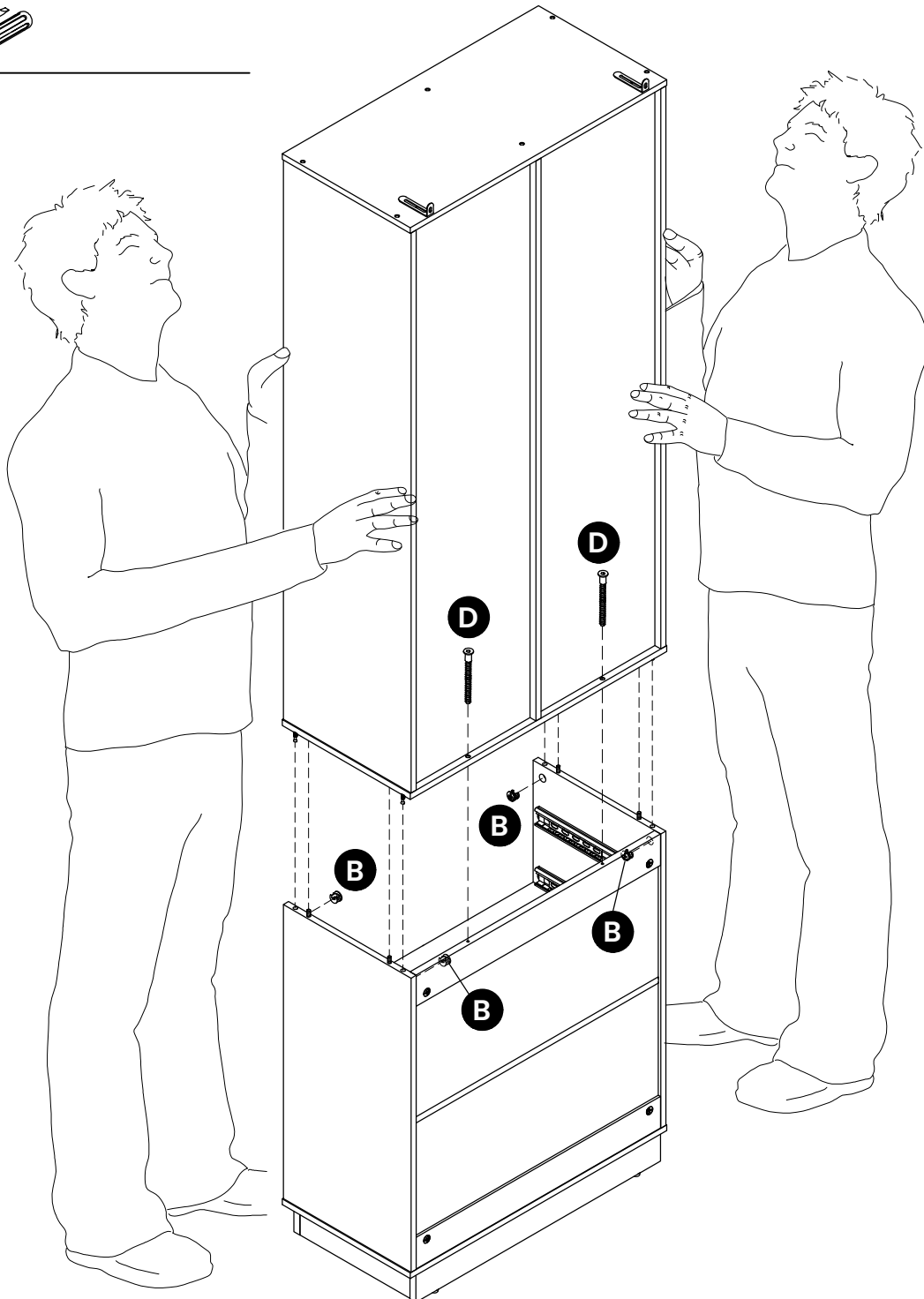
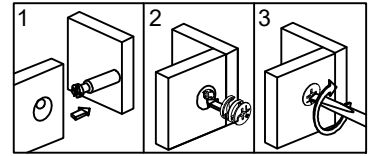
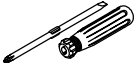
**STEP 22**

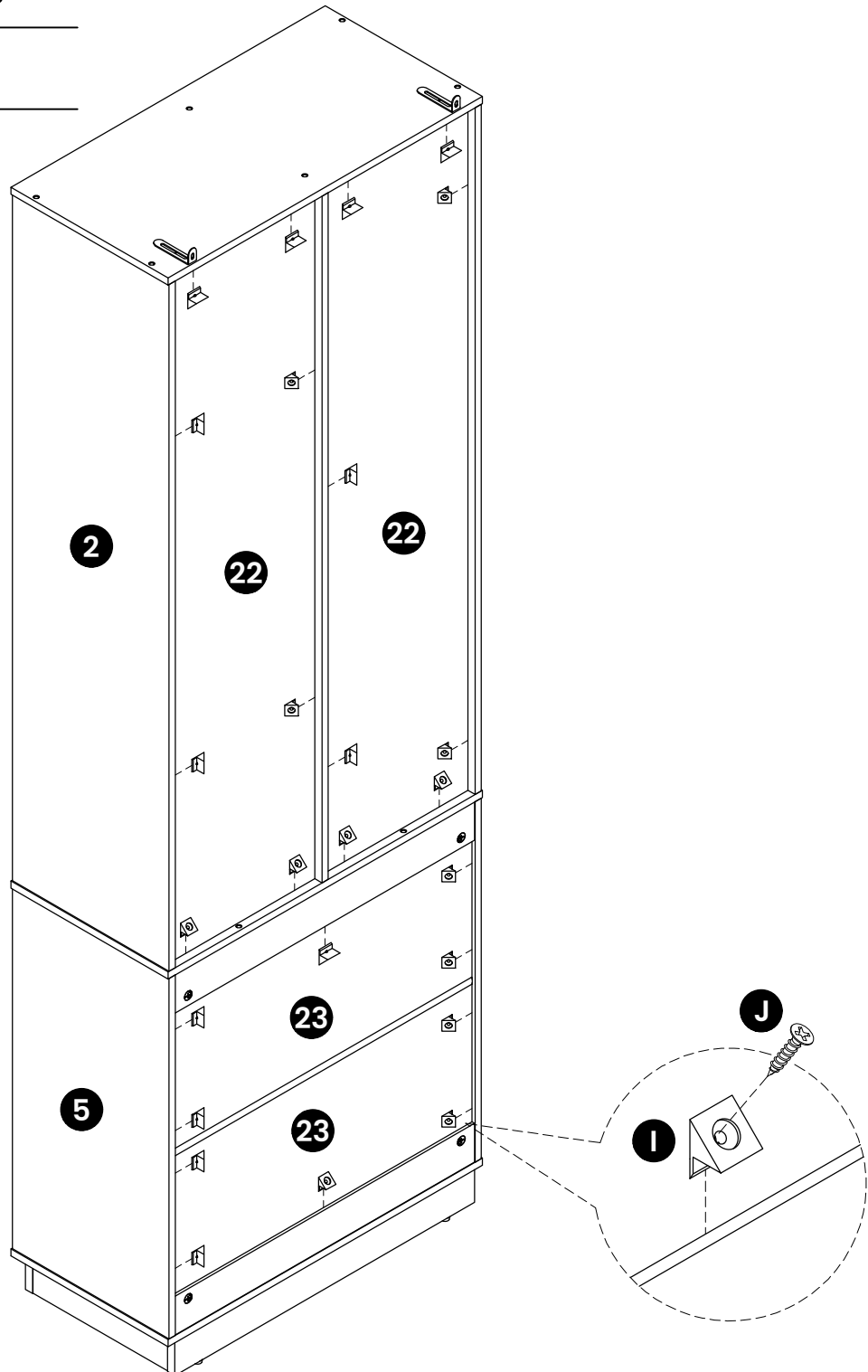
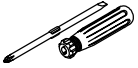
 **B** x6

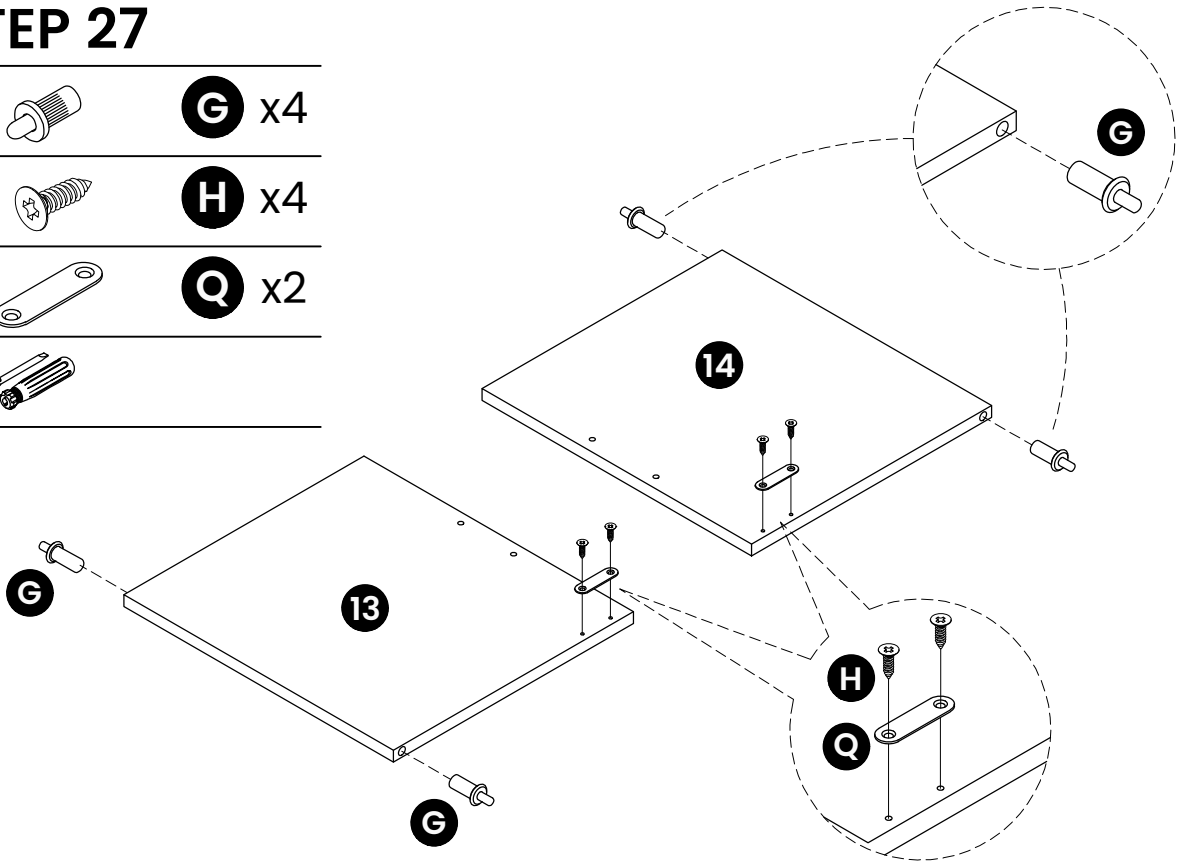
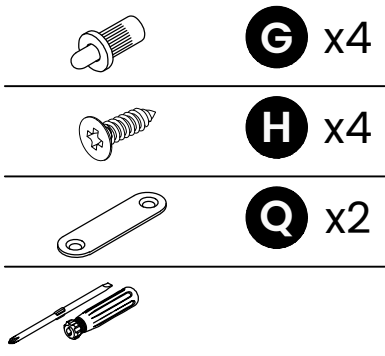
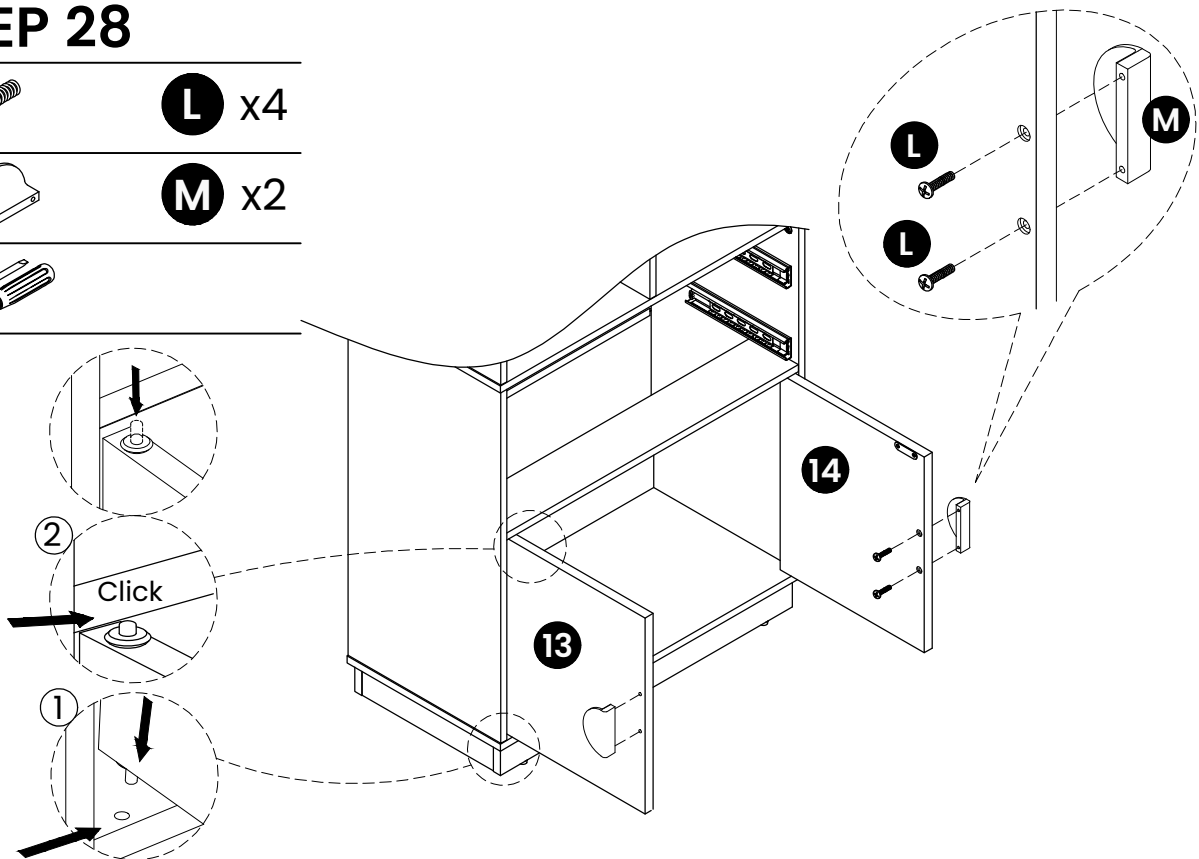
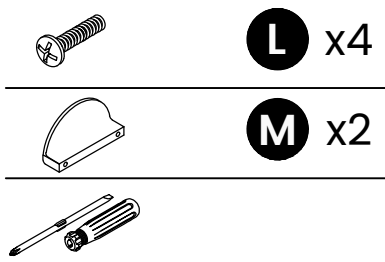




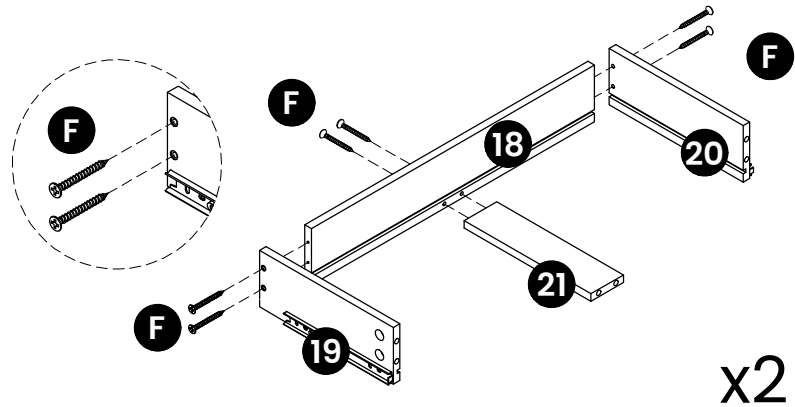
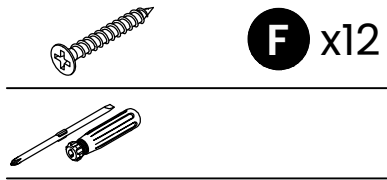
**STEP 23****E** x4**STEP 24****G** x4

**STEP 25****B** x4**D** x2

**STEP 26****I** x26**J** x26

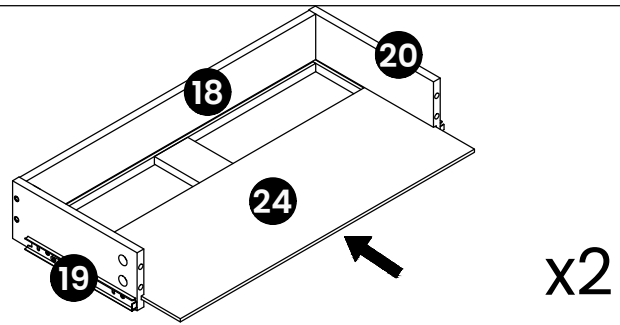
**STEP 27****STEP 28**

**STEP 29**



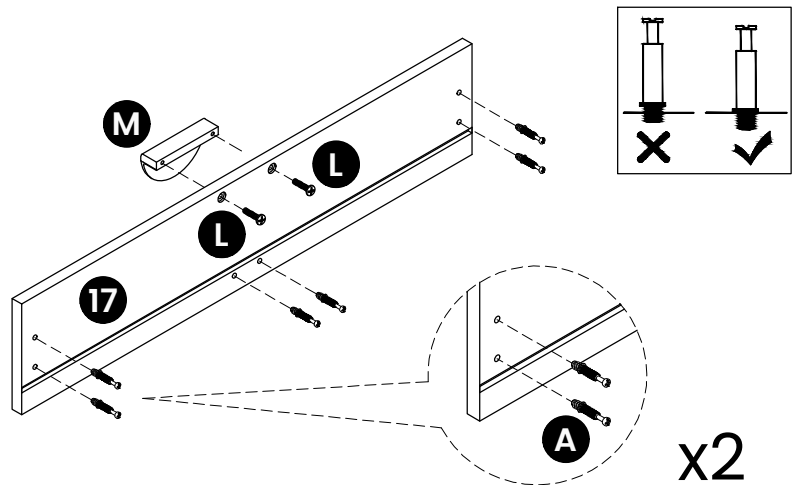
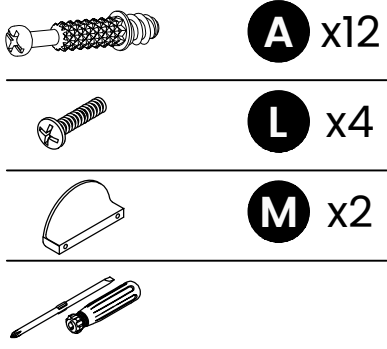
x2

**STEP 30**



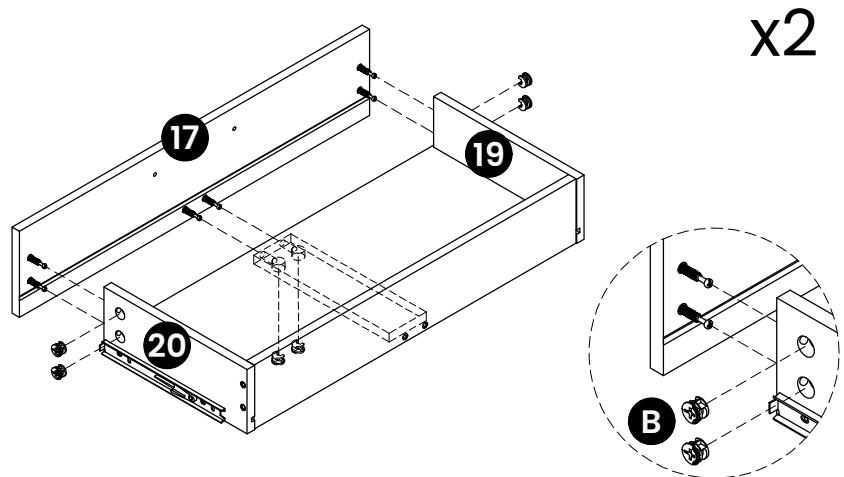
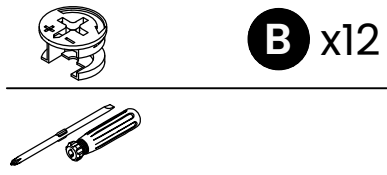
x2

**STEP 31**

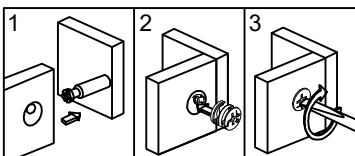


x2

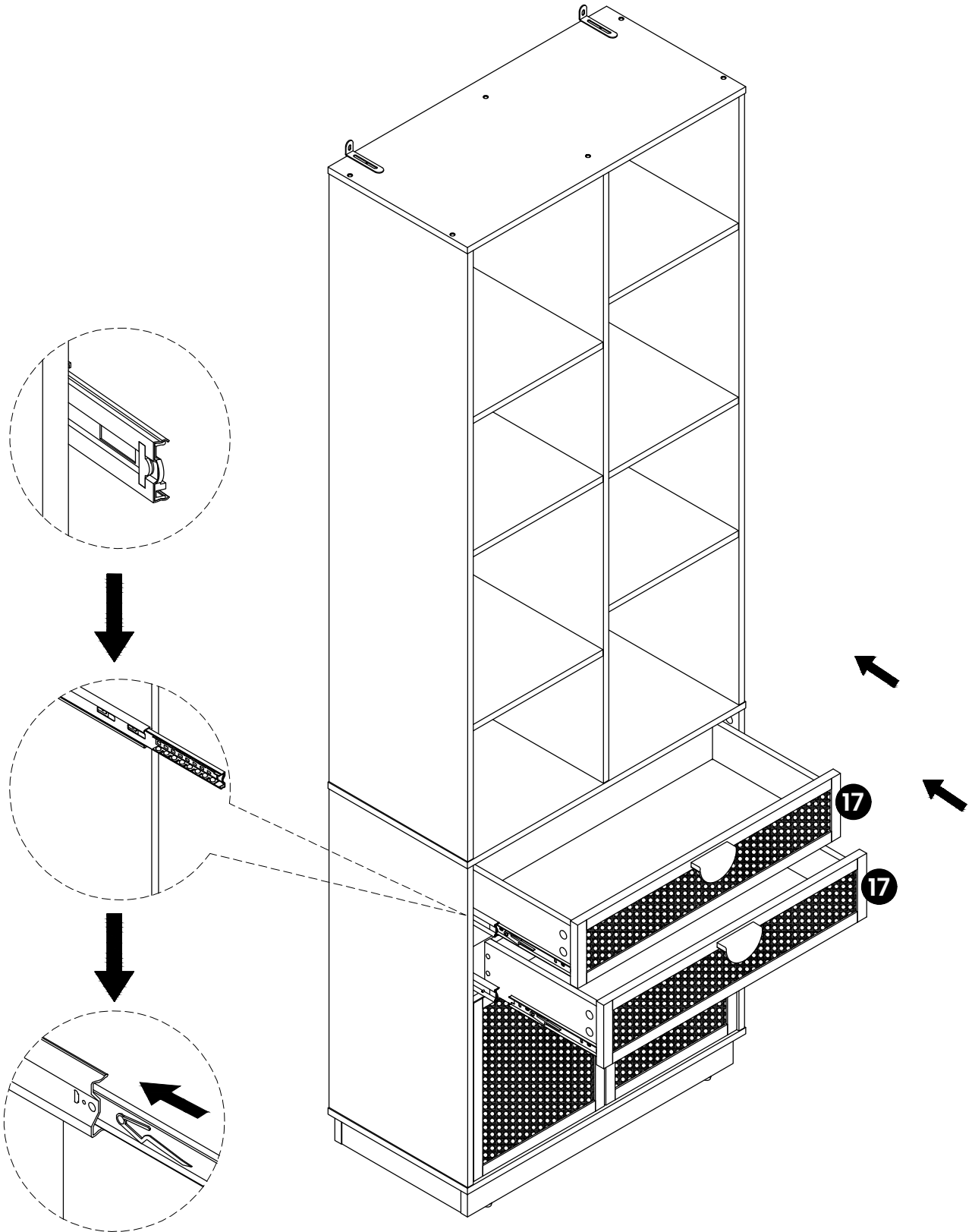
**STEP 32**



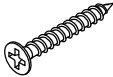
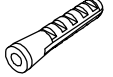


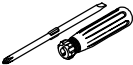
x2

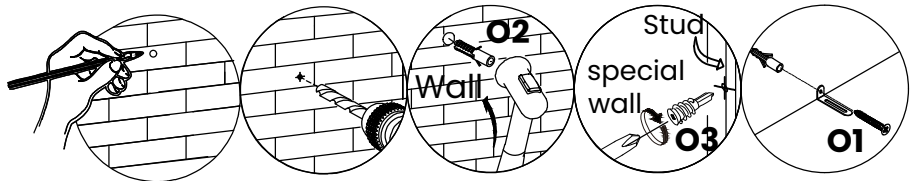


STEP 33

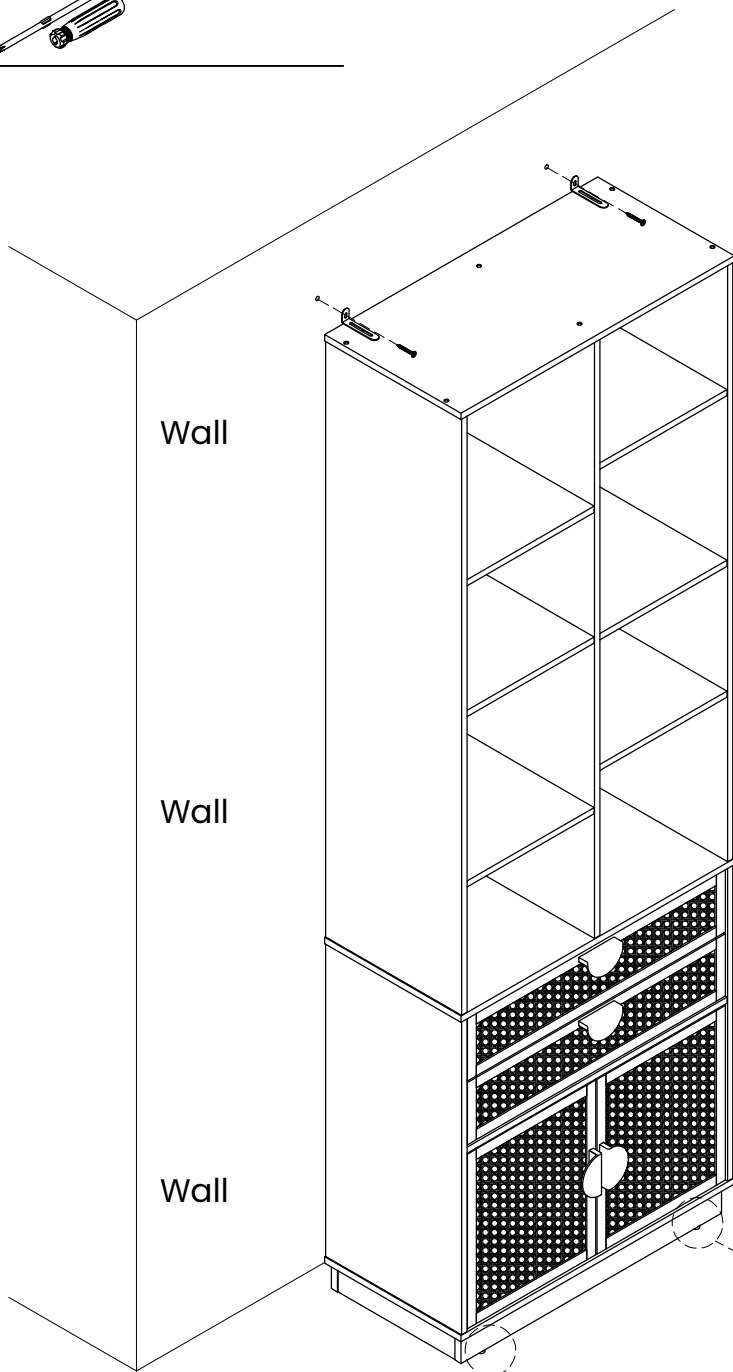


**STEP 34**

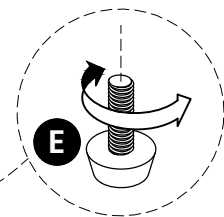
-  O1
  -  O2  x2
  -  O3
- 
- 



Upon completion of installation, if the product is not level, please refer to Step E to adjust the height of the leveling feet until the product is perfectly horizontal.



After assembly: If the product is not balanced, please adjust the adjustable feet "E" to the appropriate position



**STEP 35****R** x8