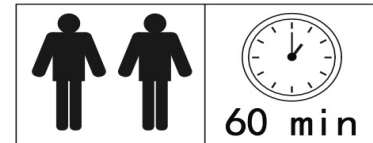


## 3 Drawer Chest



## ASSEMBLY INSTRUCTIONS

### Before You Begin: (Phillips screwdriver required, not included)

Please identify all component parts and hardware pieces required before you begin. Carefully remove all of the components from the packaging and set aside for assembly. Assemble on a soft surface to prevent scratching during assembly.

### Caution:

Tighten all components securely before use. Failure to do so may result in personal injury.

DO NOT use any sharp objects to open plastic wrapped components as damage to product or components may result.

### Warning:

**CHOKING HAZARD** - Small Parts. Adult Assembly Required.

### DO NOT ALLOW CHILDREN TO CLIMB ON FURNITURE

Serious or fatal injuries can occur from furniture tipping over. You must install Tipping Restraint Hardware (where included) to help prevent the unit from tipping and causing accidental injury, instability, death or damage. The tipping restraint is intended only as a safety measure, it is not a substitute for proper adult supervision.

To help prevent furniture from tipping over it must be permanently attached to the wall. Anti-Tip Safety Wall Straps suitable for the unit weight and wall materials (if not included) should be purchased and installed.



# Congratulations!

You just purchased a piece of happiness. At Ubique Group, we believe you can transform your spaces into the most inspired places with furnishings that are the perfect combination of form, function and style. As original innovators of online furniture retail, we offer the best selection of popular, contemporary styles at cool, comfortable prices. And, with decades of proven shipping and packaging expertise, our Extended Quality Checklist ensures a rewarding, hassle-free experience time and time again. It's just what you need to bring your vision to life.

**Thank you & Enjoy!!**

*your friends at Ubique Group*



**LIKE IT!**

*Share it on social  
& Tell a friend!  
#Spaces2Places*



**LOVE IT!**

*Write an online  
product review  
where purchased*



**NOT SURE?**

*Let us help!  
Contact our  
customer support.*

Have a question, concern or simply need a hand? Your satisfaction is our top priority. Contact us at 866-552-2810 or [customerexperience@theubiquegroup.com](mailto:customerexperience@theubiquegroup.com). We're here to help!

## Browse Our Branded Collections

There's something for everyone inside our family of brands.



MERRICK | LANE

Taylor & Logan

Emma+ Oliver



BlackArc

Visit [www.theubiquegroup.com/brands](http://www.theubiquegroup.com/brands) or scan this code.





We pride ourselves on providing an excellent customer experience starting right here with your package and instructions. Everything you need should be right where you need it, so you can get to enjoying your new item ASAP. But despite our best efforts, sometimes "slips happen." If you need any support, from replacement parts to recommendations, please reach out to our wonderful customer support team at 866-552-2810 or [customerexperience@theubiquegroup.com](mailto:customerexperience@theubiquegroup.com). We're here to help!

## EVERY UBIQUE GROUP PRODUCT



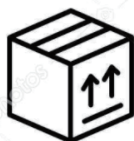
Quality &  
Durability Tested



Packaged  
with Care



Shipped from  
our U.S. Facility



Designed  
for Easy  
Assembly

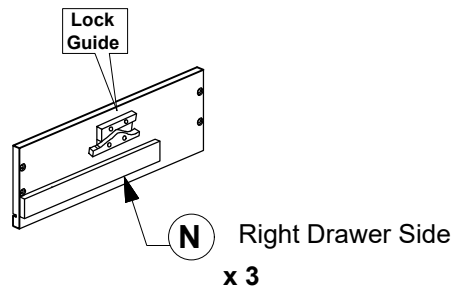
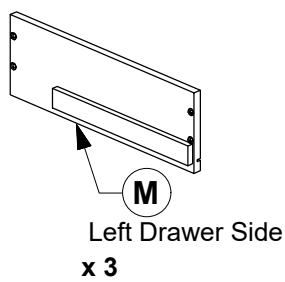
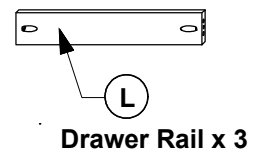
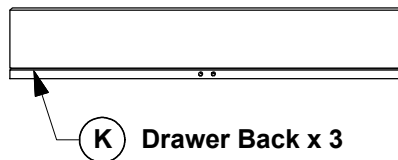
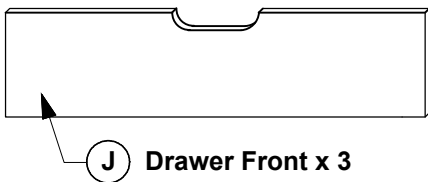
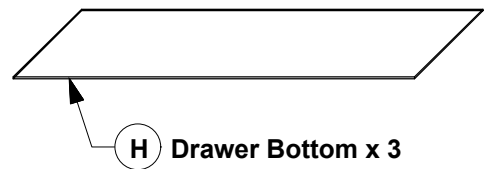
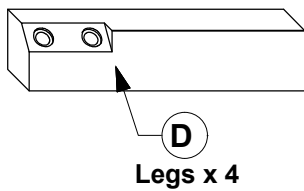
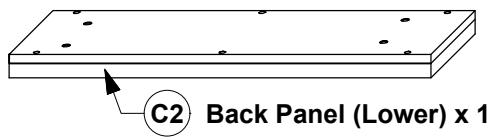
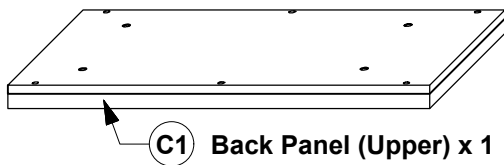
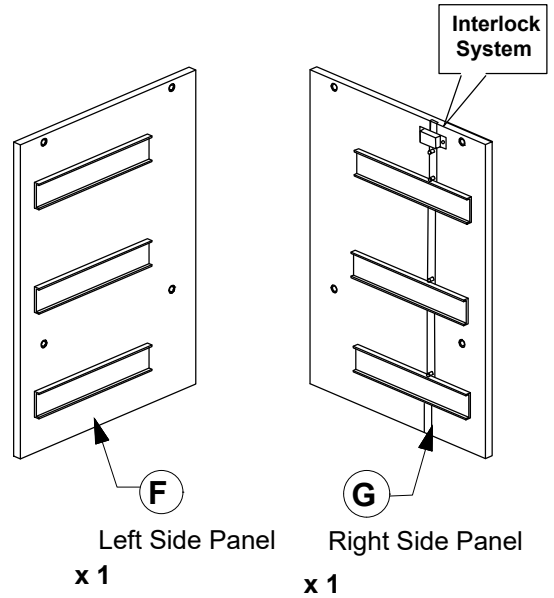
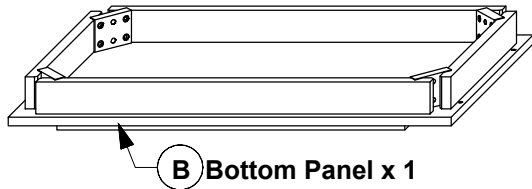
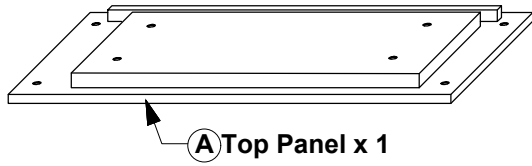


Ethically  
Sourced

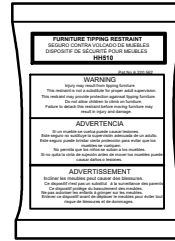
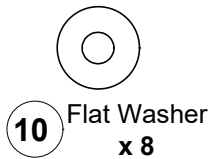
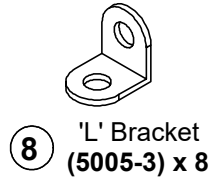
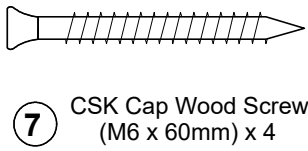
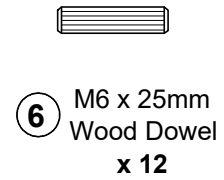
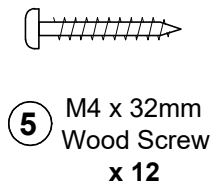
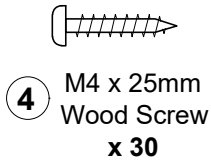
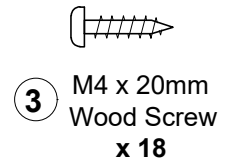
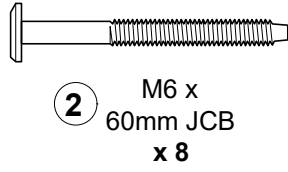
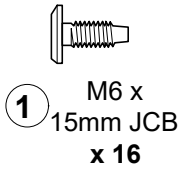
Please visit <https://www.theubiquegroup.com/warranty> for complete warranty information.

**Read this manual before using this product. Failure to follow the instructions and safety precautions in this manual can result in serious injury or death. Keep this manual in a safe location for future reference.**

# Parts List

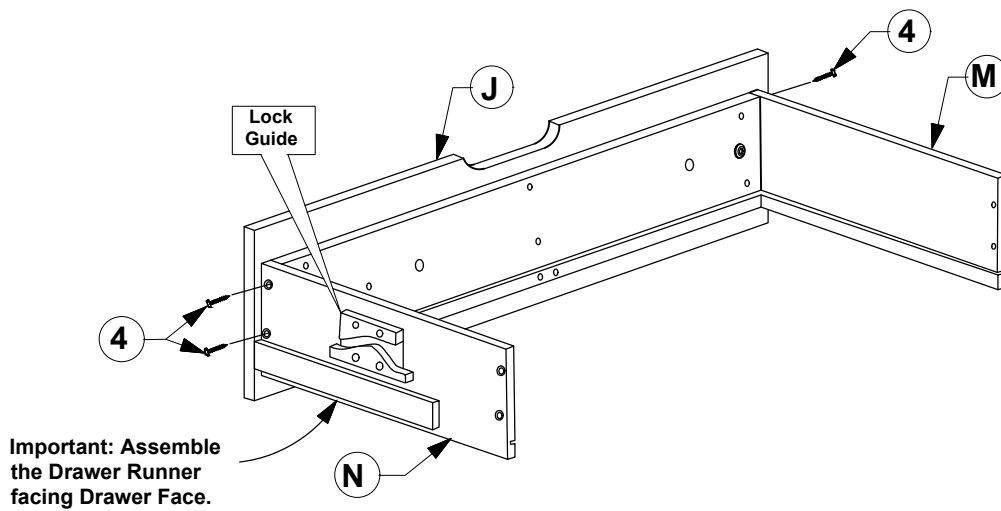


## Hardware List

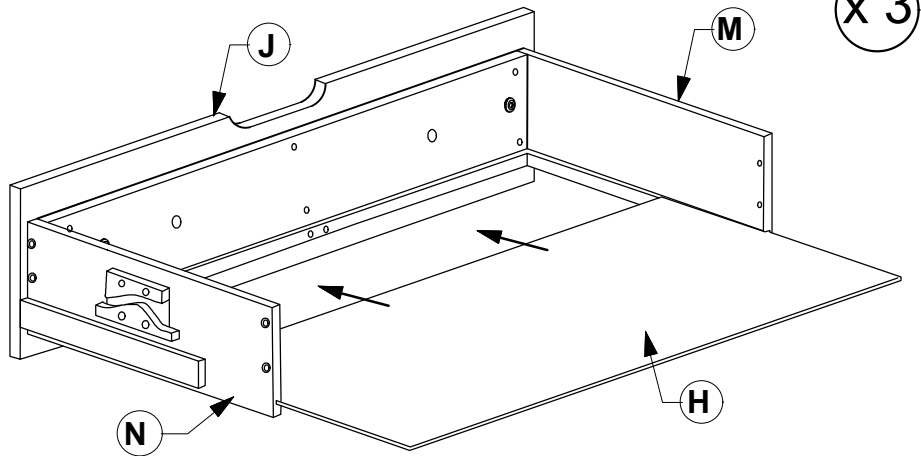


① Assemble the Drawer Sides (M & N) to the Drawer Face (J).

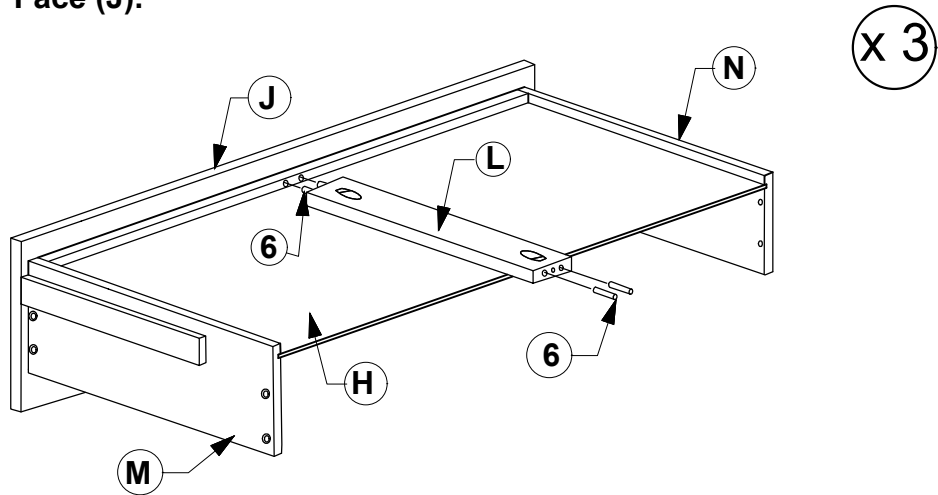
x3



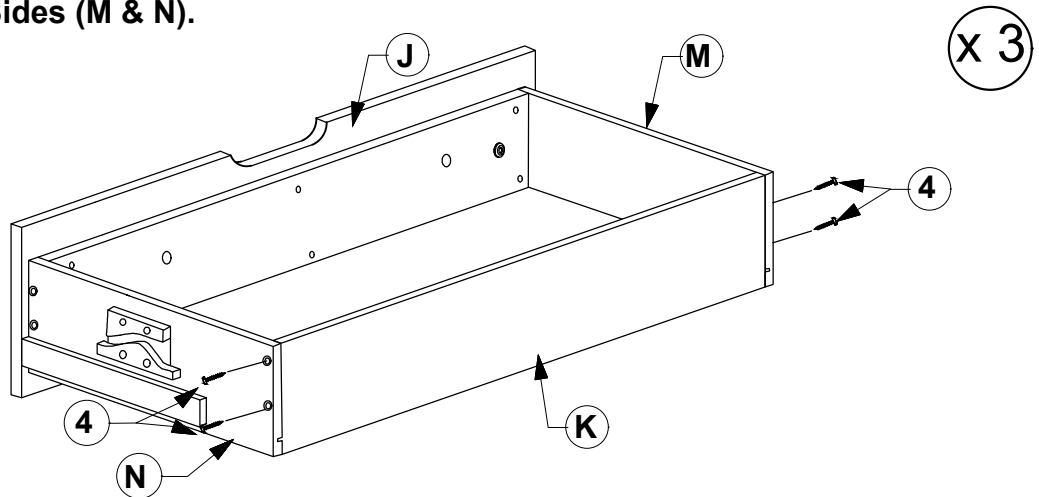
- ② Slide the Drawer Bottom (H) into the groove on the Drawer Sides (M & N).



- ③ Turn the Drawer over assemble the Drawer Rail (L) to the Drawer Face (J).

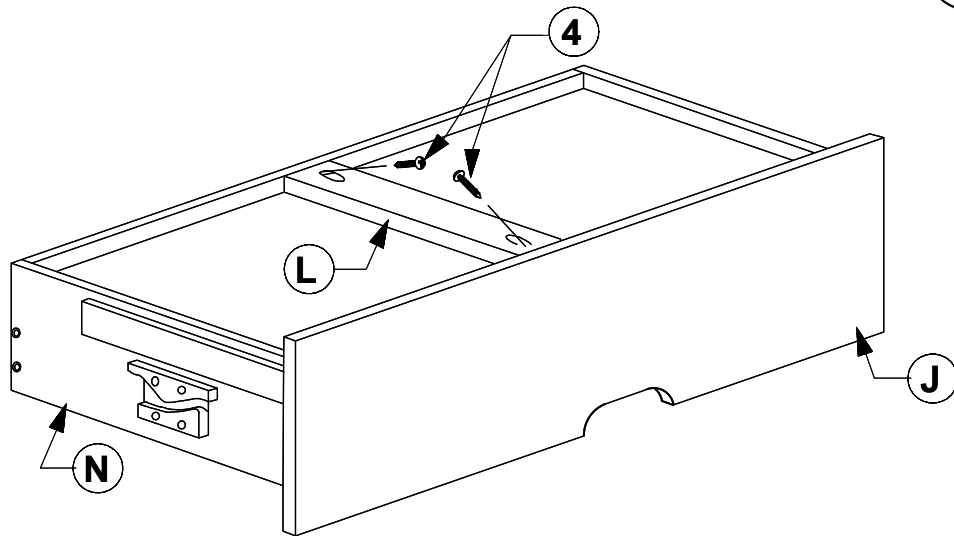


- ④ Turn the Drawer over assemble the Drawer Back (K) to the Drawer Sides (M & N).

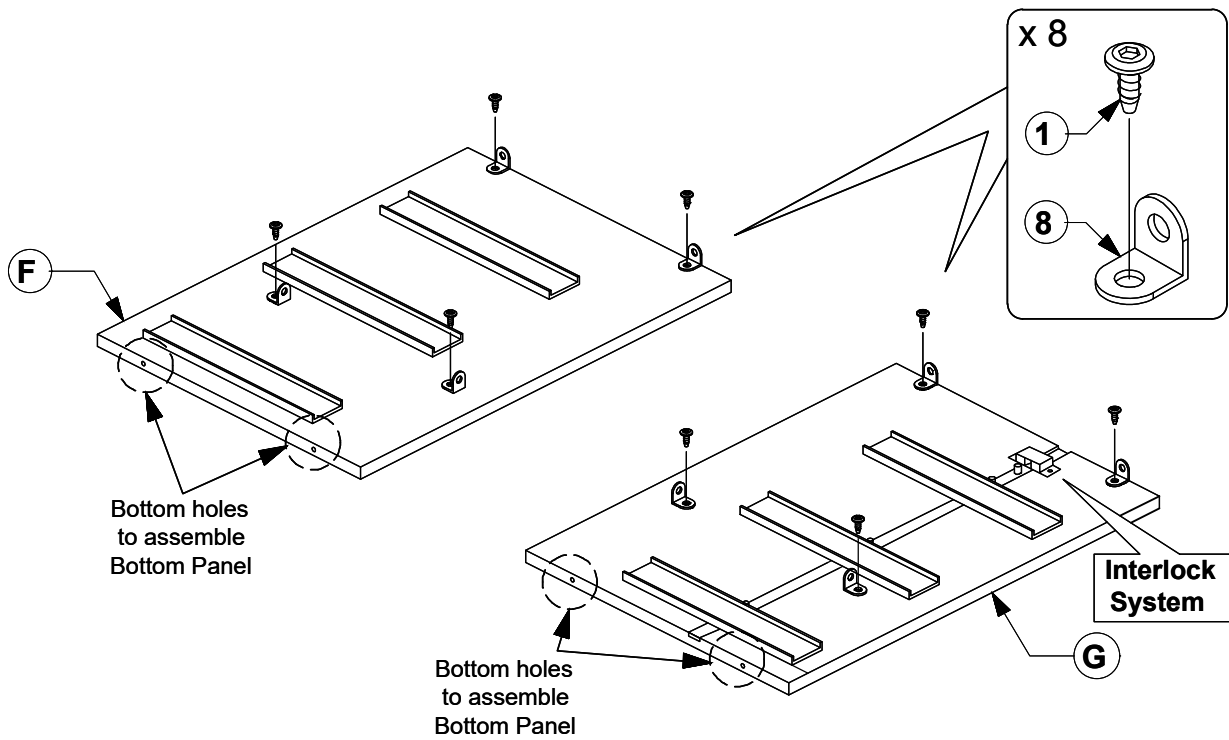


**5** Turn the Drawer over to fit angled 25mm Wood screws (4) to the Drawer Rail (L).

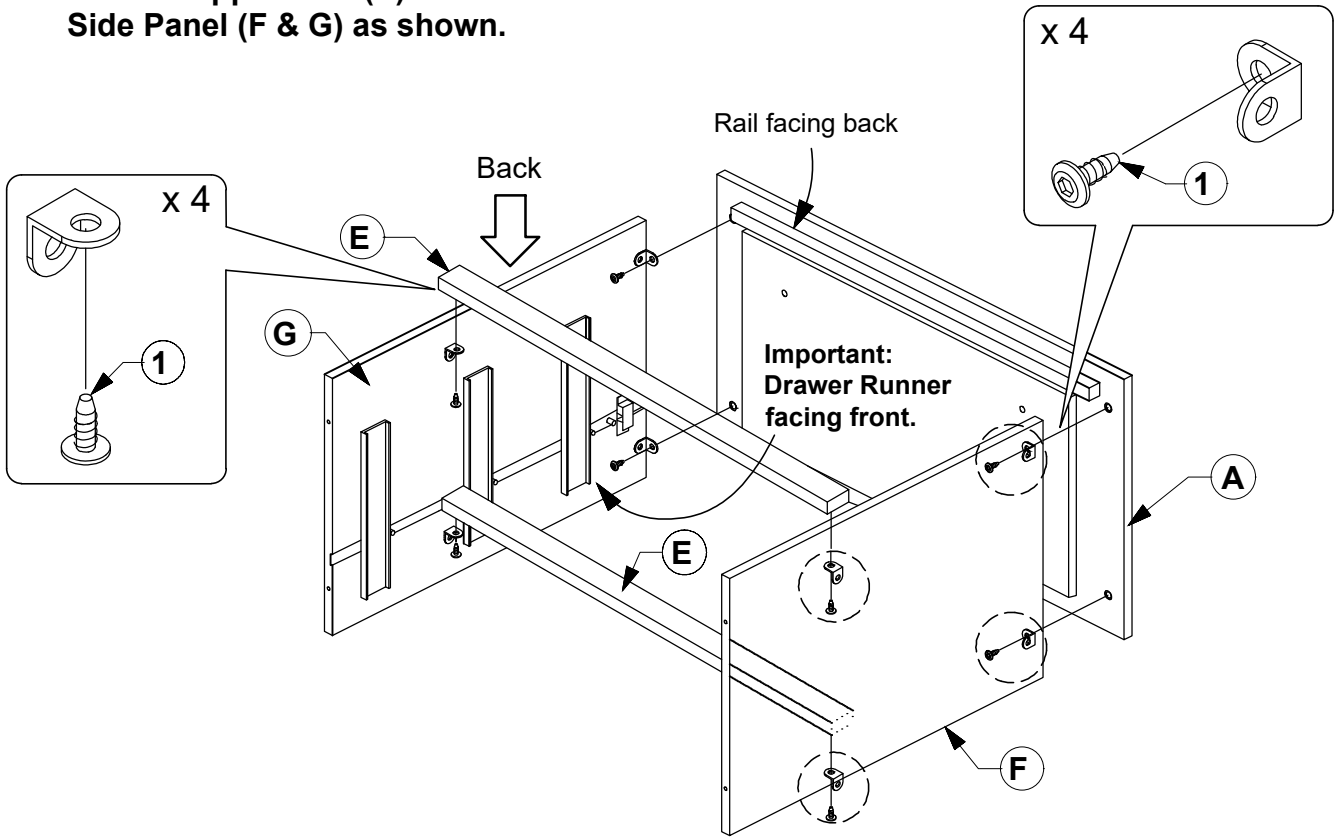
x 3



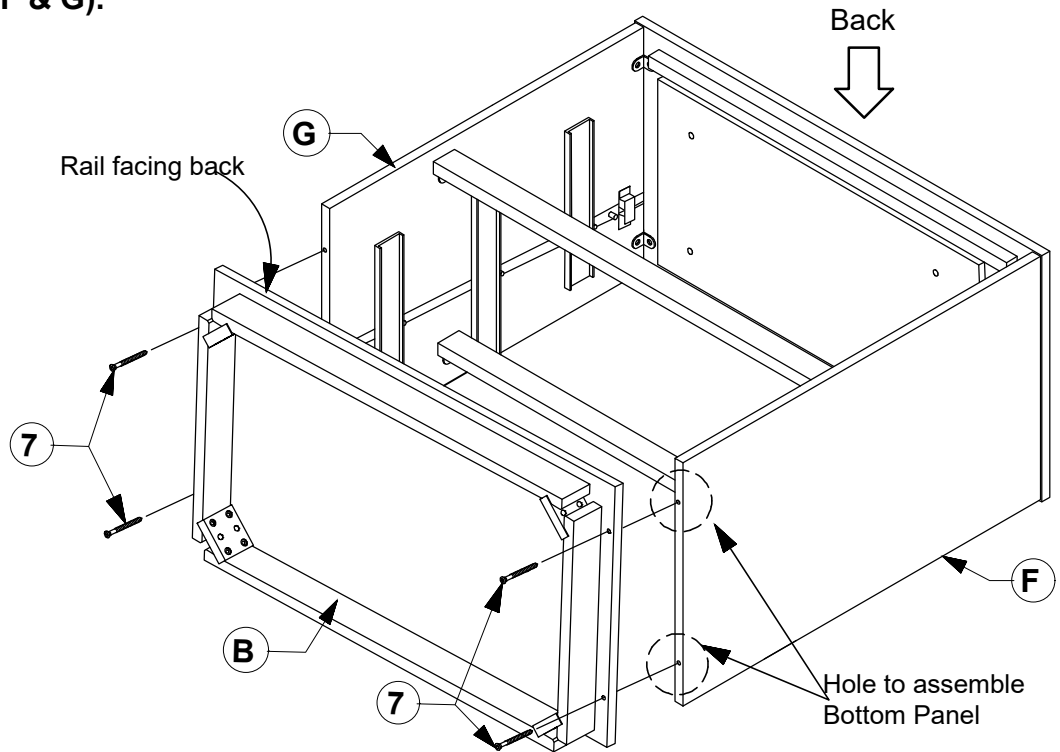
**6** Fit the 'L' Bracket to the Side Panel (F & G).



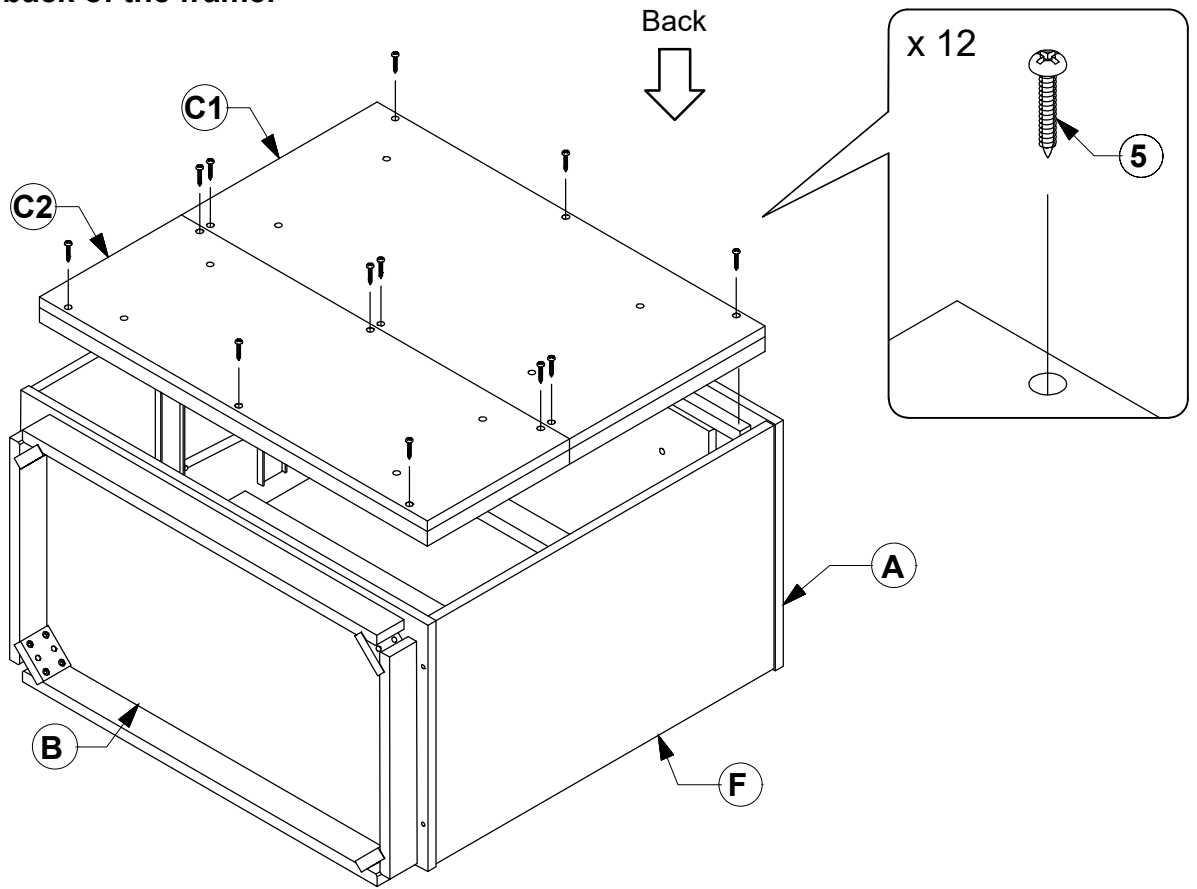
- 7** Assembled the Top Panel (A) to the Side Panel (F & G).  
Fit the Support Bar (E) to the Side Panel (F & G) as shown.



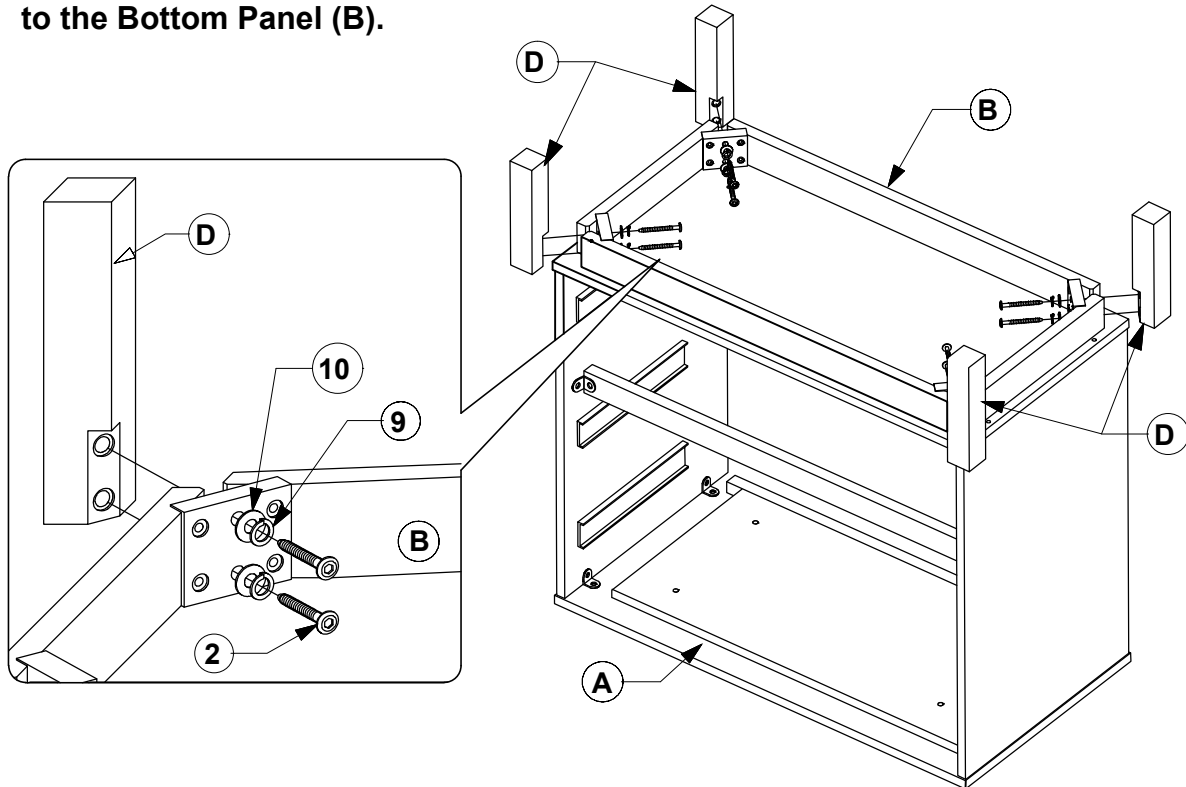
- 8** Assembled the Bottom Panel (B) to the Side Panel (F & G).



**9** Attached the Back Panel (C1 & C2) to the back of the frame.

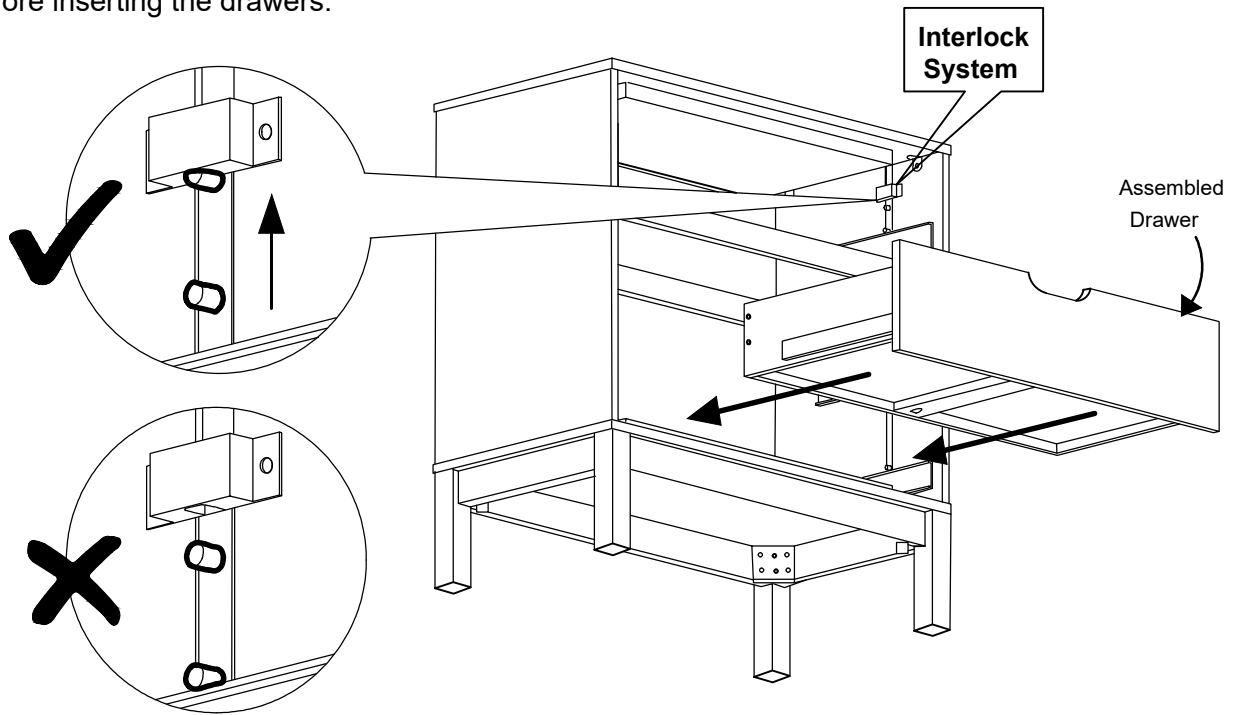


**10** Turn the chest over to fit the Post (D) to the Bottom Panel (B).



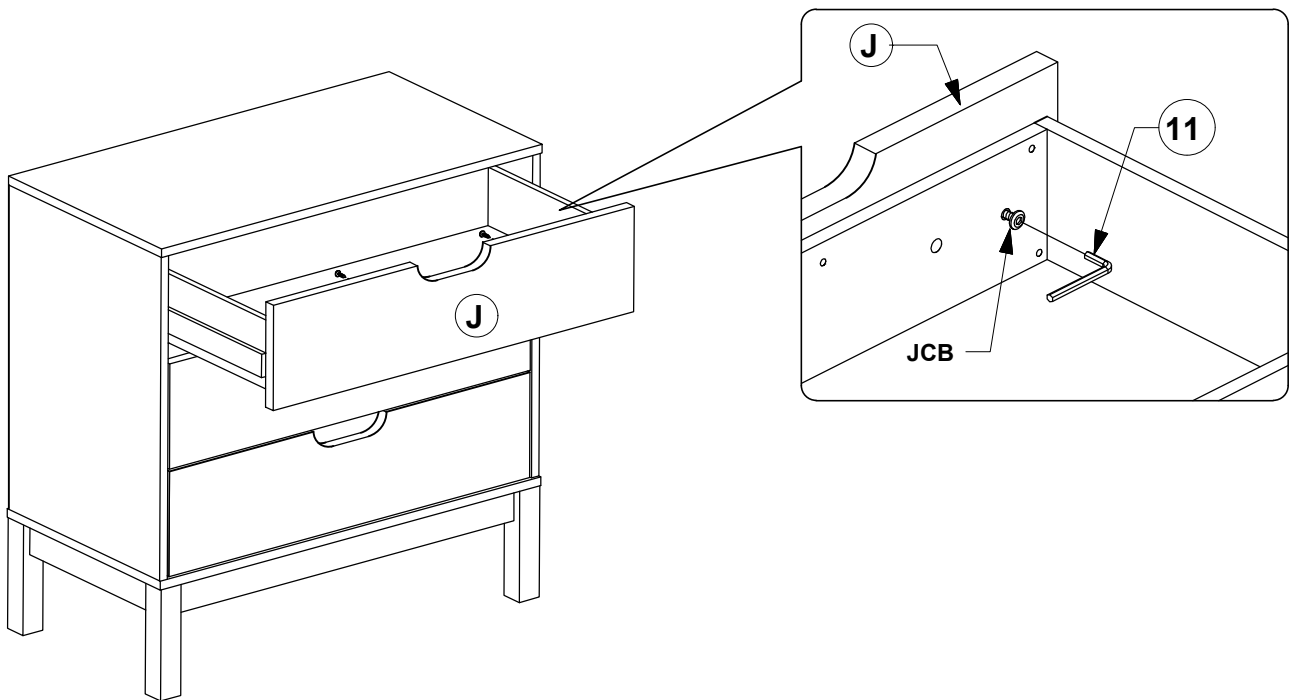
**11 Install the Drawer.**

.Push the Interlock bar **upwards** before inserting the drawers.

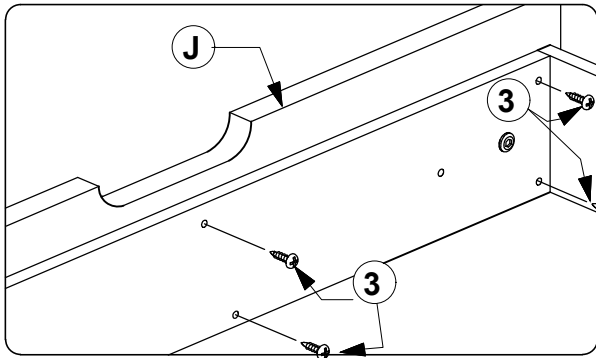


**12 Fit and adjust the Drawer Face (J).**

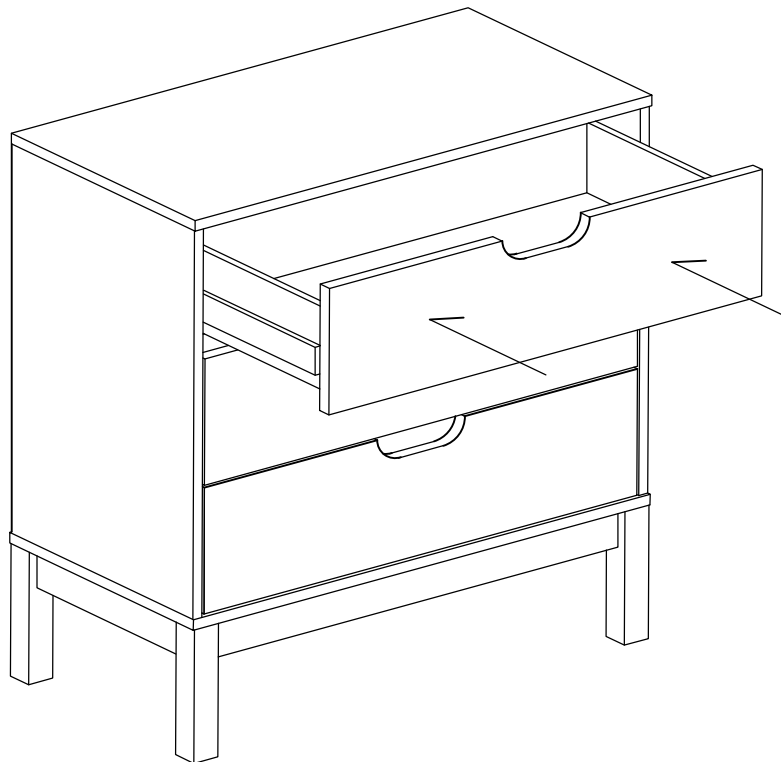
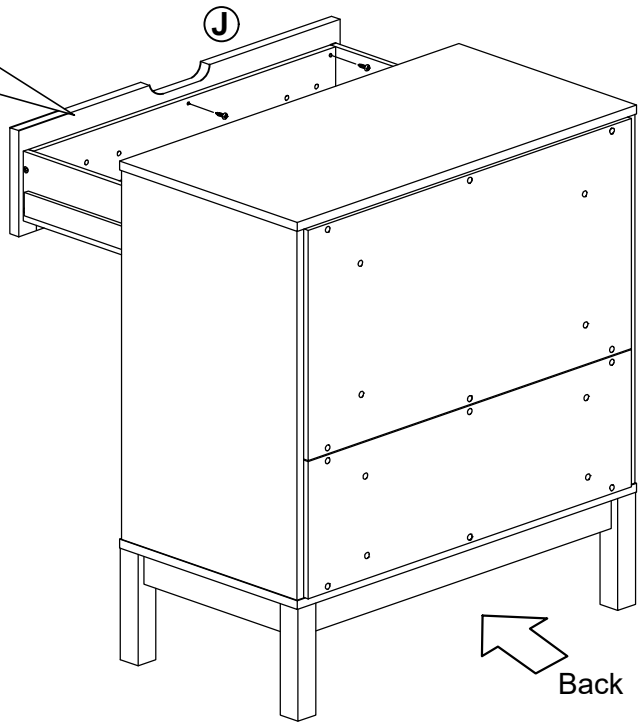
\* NOTE: Before fitting the Wood Screws .  
Loosen the JCBs on the Drawer Face if  
the face needs alignment .



**13** After the Drawer Faces (J) are aligned, secure with wood screws.  
**THIS STEP MUST ONLY BE DONE LAST.**

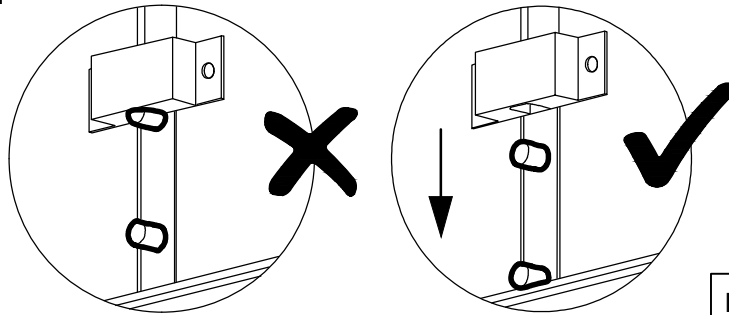


\* NOTE: Only one Drawer can be open at a time.

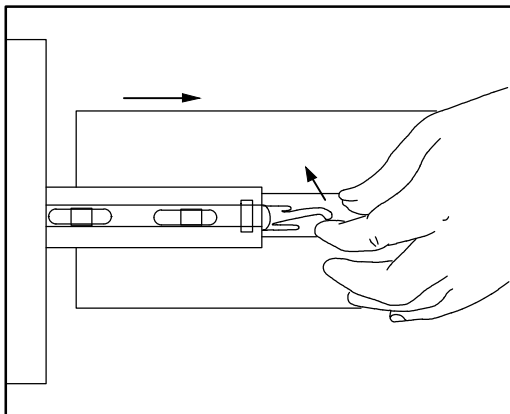
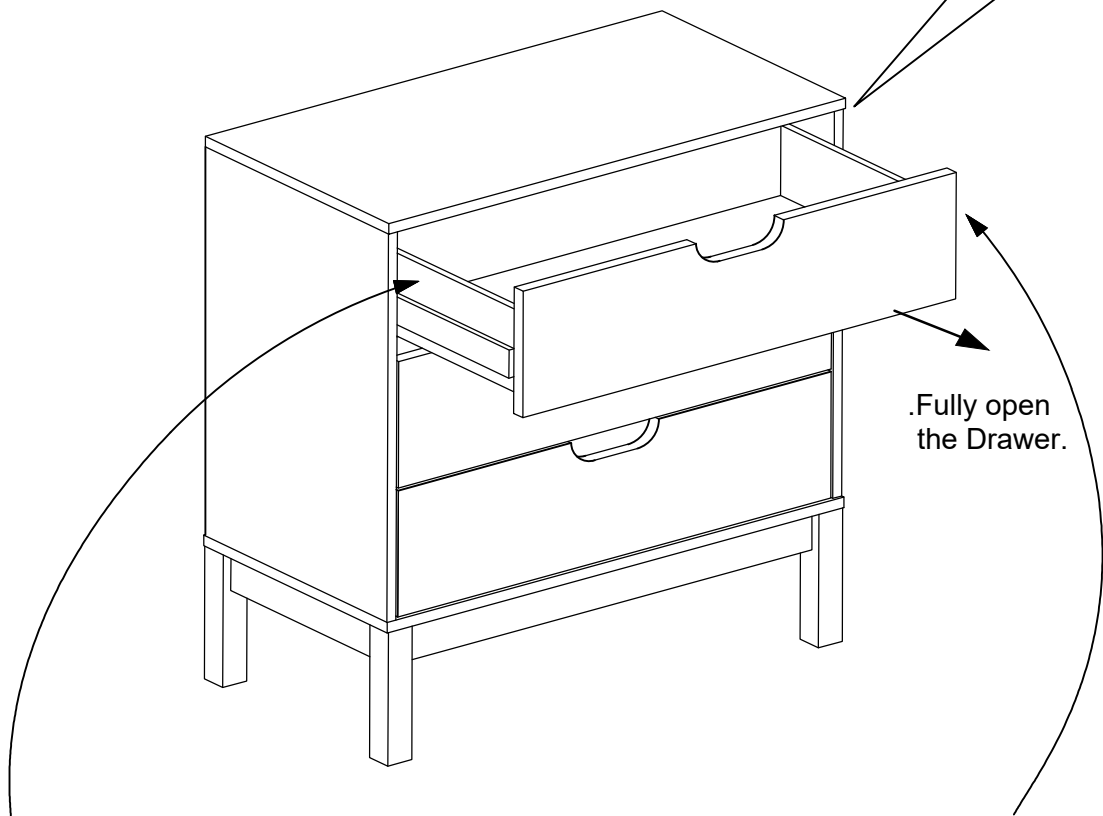


**14 Remove the Drawers.**

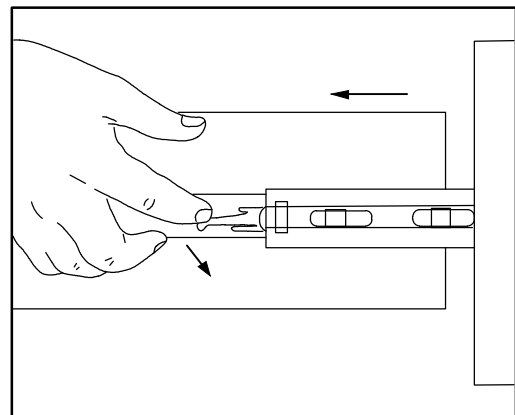
. After removing the top drawer, push the interlock bar **down**. Then remove the lower drawers.



Interlock System



• Lift the **LEFT** side clip up.

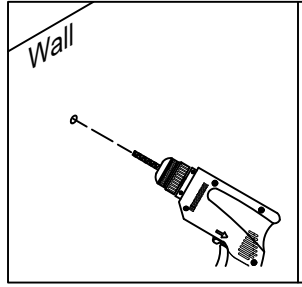


• Push the **RIGHT** side clip down.

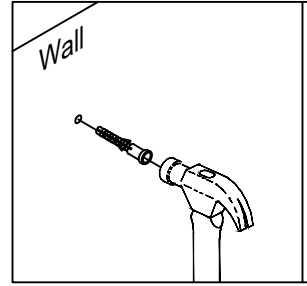
15



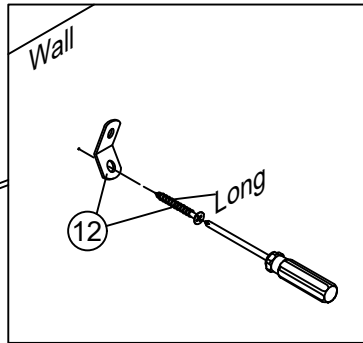
Step 1



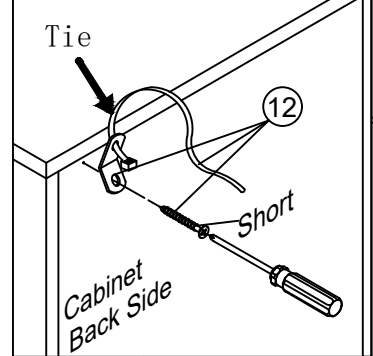
Step 2



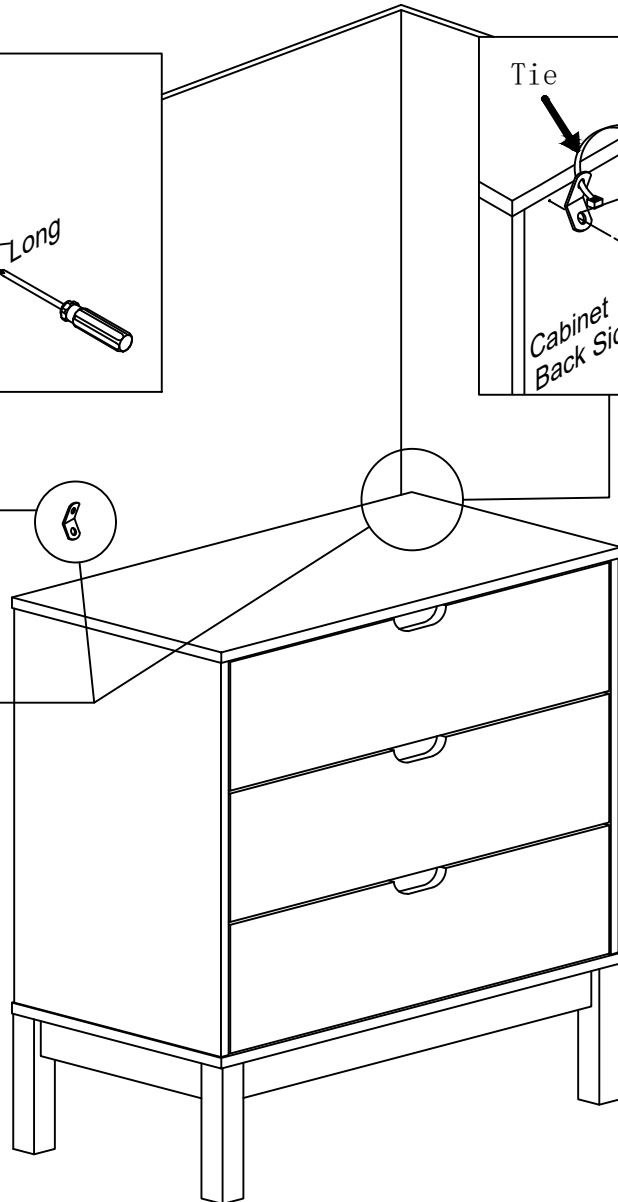
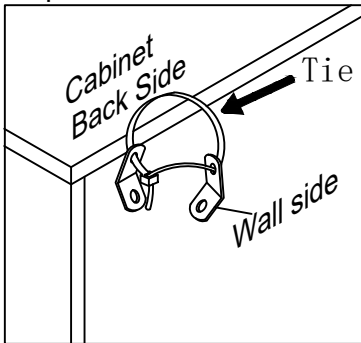
Step 3



Step 4



Step 5



## Quality and Safety Guidelines:

- Please follow the static and dynamic weight capacity limits provided on this item. If you are unsure of the weight capacities for this product, email us at [customerexperience@theubiquegroup.com](mailto:customerexperience@theubiquegroup.com) or call 866-552-2810.
- Please use this item on a stable, level surface only. All legs, feet and all parts of the base of this item should contact the flooring surface when in use. Do not use this item if any instability is detected.
- Please install and use anti-tipping devices/wall anchor kits as instructed by the assembly instructions. Serious or fatal crushing injuries can occur from tipping furniture. The wall anchor kit is not a substitute for proper adult supervision. Use of the tip over restraints may only reduce, but not eliminate the risk of tip over.
- The back panel must be used to make sure the unit is sturdy and safe.
- Never push, pull or drag this product.
- For maintenance instructions and replacement parts, please email us at [customerexperience@theubiquegroup.com](mailto:customerexperience@theubiquegroup.com) or call 866-552-2810.
- This item is intended as a dresser only, do not climb, hang, stand or sit on this item. Do not climb, pull or hang on drawers. Do not use this item as a TV stand. Do not place heavy objects on top of this product. Never open more than one drawer at a time.
- Keep fingers away from the hinge line clearance and away from all edges of the drawers when opening and closing the drawers to avoid pinching.
- Place heaviest items in the lowest drawers.
- The item is intended to be used indoors.
- Please inspect this product regularly to make sure there are no damaged or worn parts. Also inspect to make sure all hardware is tightened correctly and securely. For inspection instructions, please email us at [customerexperience@theubiquegroup.com](mailto:customerexperience@theubiquegroup.com) or call 866-552-2810.
- If any parts are damaged or worn, please stop using the product. Repair this product with manufacturer supplied parts only.
- For product longevity, product safety and product integrity, protect from wet and humid weather or other wet, humid or moist conditions and store indoors in a dry location. For additional storage and usage instructions, please email us at [customerexperience@theubiquegroup.com](mailto:customerexperience@theubiquegroup.com) or call 866-552-2810.
- Please visit [www.theubiquegroup.com](http://www.theubiquegroup.com) for our product warranty details or email us at [customerexperience@theubiquegroup.com](mailto:customerexperience@theubiquegroup.com) or call 866-552-2810.