

Café 30" Duo Smart Single Wall Oven in Platinum Glass

CTS92DM2ZS5

C A F É



FEATURES & BENEFITS

Cook two things in the oven at once, at two different temperatures, so that your entire meal will be done on time.

Preheat the oven quickly and cut down on preheat time with a speedy preheat feature.

This oven features True European Convection, an advanced convection system that uses a third heating element and reversing fan for the highest level of heat and air circulation.

Simplify cooking with precision modes like artisan pizza, salmon, roasted vegetables, and bacon. Designed by our cooking scientists, these modes use tailored temperature and fan adjustments to track progress and deliver optimal results

Brighten up life in the kitchen – Easily navigate wall oven settings using a stunning full-color display that adds an unexpected touch of style to your kitchen

Fried taste. Crisp texture. Less oil. – Make your favorite "fried" foods healthy, thanks to Air Fry Mode that crisps without using oil for frying

Enjoy convenient temperature control from anywhere – Preheat while running errands or change oven temperatures while doing yard work with the SmartHQ™ App

Say goodbye to guesswork with integrated tools that let you set and label unlimited timers and use a built-in chatbot (on select models) for instant answers on temperatures, substitutions, conversions, and more

WIFI-ENABLED FEATURES

Built-In WiFi, Powered by SmartHQ™ App - Manage all aspects of your kitchen with the help of the SmartHQ™ App or your voice assistant

Personalized Features + Upgrades - Usher in the latest features by downloading cooking upgrades right to your oven

APPEARANCE

Color Appearance	Platinum Glass
Handle	Café Minimal Style; Brushed Stainless
Installation	Above Warming Drawer; Side-by-Side; Under Built-In Advantium; Under Built-In Microwave; Under Cooktop; Undercounter

FEATURES

Configuration	Double Oven
Cooking System	True European Convection with Precise Air (Lower)
Oven Cleaning Type	Self-Clean with Steam Clean Option
Cleaning Time	Variable with Delay Clean Option
Oven Cooking Modes	Convection Bake Convection Bake Multi-Rack Convection Broil Hi/Lo Convection Roast Thermal Bake Thermal Broil Hi/Lo Keep Warm Proof
Precision Cooking Modes	Artisan Pizza Mode Turkey Mode Steak Mode And More ...
Control Type	7" Full-Color Touch LCD Screen
Oven Rack Features	1 Self-Clean Heavy-Duty Offset Oven Rack 2 Self-Clean Roller Racks Embossed Rack Positions (Both Ovens)
Oven Control Features	12-Hour Shut-off Capability Certified Sabbath Mode Control Lock Capability Cook Time C° or F° Programmable Delay Time Unlimited Timers Microphone with Voice Control Mis-Wire Detection Multiple Timers Premium Speaker Proof Mode Remote Enabled Temperature Probe Warm Mode
Connected Capabilities	WiFi Recipes Cooking instruction Grocery list/shop Streaming Audio Personalized Wallpaper Weather
Cooking Technology	Traditional Upper Convection Lower
Oven Interior	2 Halogen Interior Oven Lights (Both Ovens) Black Gloss Finish; Hidden Bake

CAPACITY

Capacity (Cu. Ft.)	2.2 Upper / 2.8 Lower
Total Capacity (cubic feet)	5.0 cu. ft.

POWER / RATINGS

Amp Rating at 208V	20
Amp Rating at 240V	20
Bake Wattage	1700W Upper / 2200W Lower
Broiler Wattage	2750W Upper / 2950W Lower
Convection Wattage	1300W

WEIGHTS & DIMENSIONS

Approximate Shipping Weight	212 lb
Net Weight	190 lb
Overall Height	28-1/8 in
Overall Width	29-3/4 in
Overall Depth	26-3/4 in
Cabinet Width	30 in
Cutout Dimensions (w x h x d) (in.)	28-5/8 x 27-5/16 x 23-1/2
Oven Interior Dimensions (lower)	24 x 12-1/2 x 16
Oven Interior Dimensions (upper)	24 x 8-3/4 x 17 7/8

Café 30" Duo Smart Single Wall Oven in Platinum Glass



CTS92DM2ZS5

WARRANTY

Parts Warranty	Limited 1-Year Entire Appliance
Labor Warranty	Limited 1-Year Entire Appliance
Warranty Notes	See Written Warranty for Full Details

MOST 30" WALL CABINETS CAN BE USED WITH THIS UNIT.

APPROVED INSTALLATIONS:

Above Warming Drawer, Below Built-in Microwave or Advantium®, Side-by-Side, and Undercounter

NOTE: These ovens are not approved for stacking one single wall oven over another single wall oven.

Cabinets installed adjacent to wall ovens must have an adhesion spec of at least a 194°F temperature rating.

Door handle protrudes 3" from door face. Cabinets and drawers on adjacent 45° and 90° walls should be placed to avoid interference with the handle.

Side-by-side installations require at least 2" between cutouts.

Approved cooktops for installation above this wall oven: CHP9536, PHP9036, CHP9530, PHP9030, JP3536, JP3036, JP3530, JP3030

IMPORTANT: Electric wall ovens are not approved for installation with a plug and receptacle. They must be hardwired in accordance with installation instructions.

IMPORTANT: Before installing, consult installation instructions packed with product for **MOST 30" WALL CABINETS CAN BE USED WITH THIS UNIT.**

APPROVED INSTALLATIONS: Above Warming Drawer, Below Built-in Microwave or Advantium®, Side-by-Side, and Undercounter

NOTE: These ovens are not approved for stacking one single wall oven over another single wall oven.

Cabinets installed adjacent to wall ovens must have an adhesion spec of at least a 200°F temperature rating.

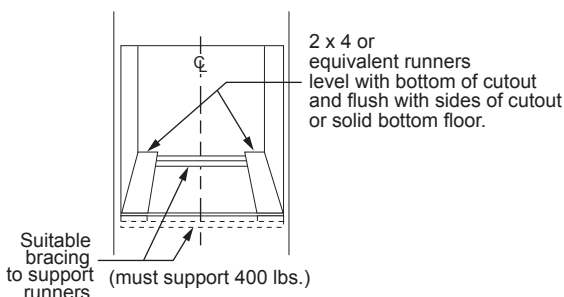
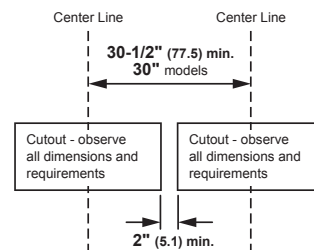
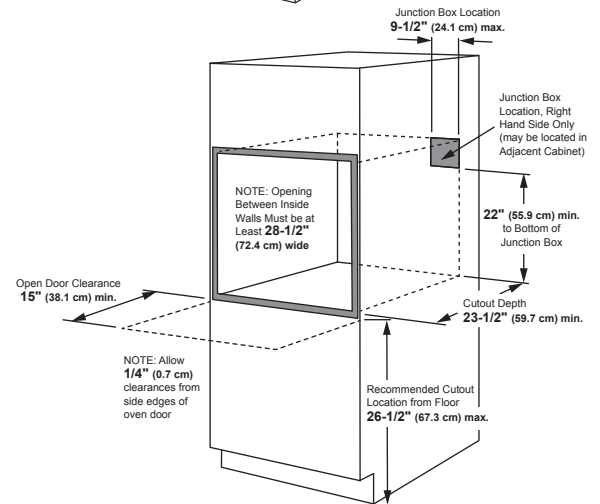
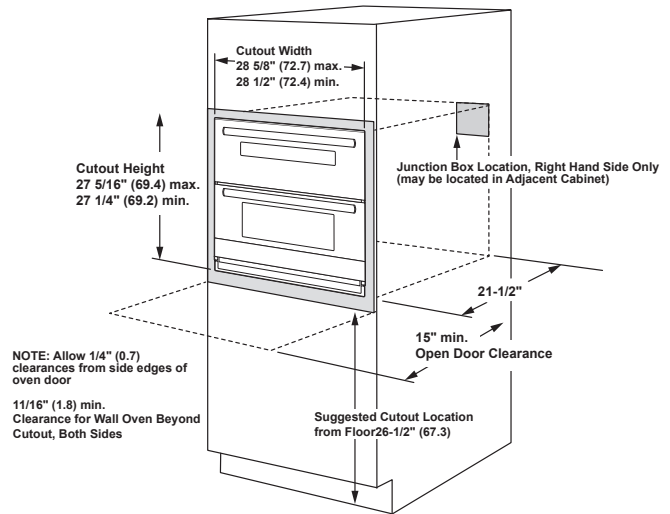
Door handle protrudes 3" from door face. Cabinets and drawers on adjacent 45° and 90° walls should be placed to avoid interference with the handle.

Side-by-side installations require at least 2" between cutouts.

Approved cooktops for installation above this wall oven: CHP9536, PHP9036, CHP9530, PHP9030, JP3536, JP3036, JP3530, JP3030

IMPORTANT: Electric wall ovens are not approved for installation with a plug and receptacle. They must be hardwired in accordance with installation instructions.

IMPORTANT: Before installing, consult installation instructions packed with product for current dimensional data.



Cabinet	30"
A - Overlap of oven at top of cutout	1"
B - Overlap of oven other side of edge of cutout	3/4"
C - Overlap of oven at bottom of cutout	1-1/4"
Oven	
D - Install depth	23-1/2"
E - Overall height with trim	53"
F - Overall width	29-3/4"

Dimension and installation information are shown in inches.