

Installation Instructions

ASSEMBLY INSTRUCTIONS:

- * Before assembling, make sure that you lay out and identify all parts listed in the parts list.
- * All bolts should be hand tightened before use. Never use power tools or excessive force during assembly and tightening of bolts.
- * Please place the umbrella on a flat protected surface during assembly.

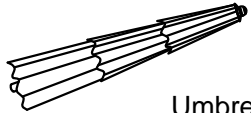
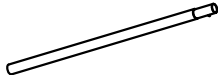
NOTES FOR USE:

- * The first time to open the umbrella before you need to first reason under the umbrella cloth umbrella bone
- * Please can not untie the knot of the umbrella rope

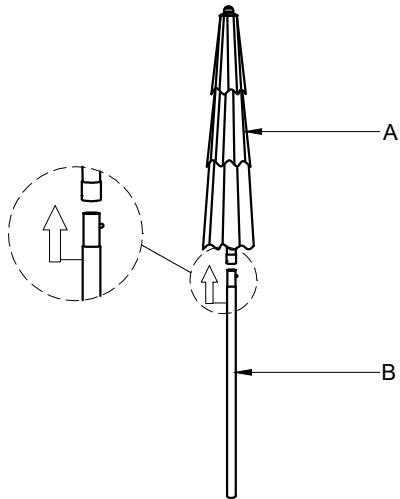
CARE INSTRUCTIONS:

- * Pole and ribs recommended touching up or repairing any scratches to the paint surface to prevent rust.
- * If you see rust, carefully sand the area using fine sandpaper and apply a rust-resistant paint that closely matches the frame color.
- * When using an umbrella with a table, always make sure the protective ring is in the umbrella hole.
- * Never use any umbrella at a table during windy conditions.

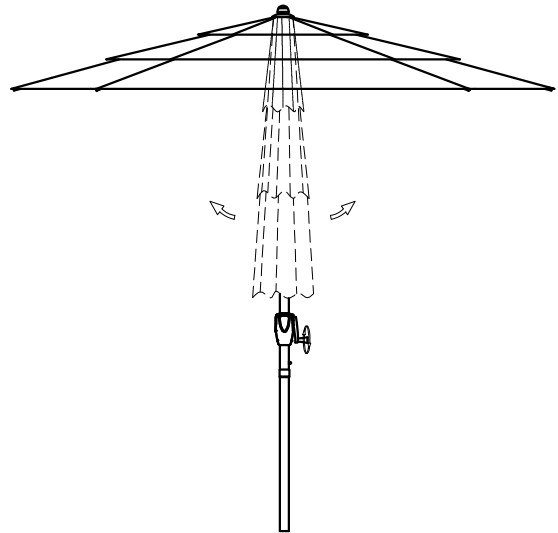
Customer Service: contactus24service@gmail.com
Phone: (951)213-4742

A	1	 <p>Umbrella Body</p>	B	1	 <p>Pole</p>
---	---	--	---	---	---

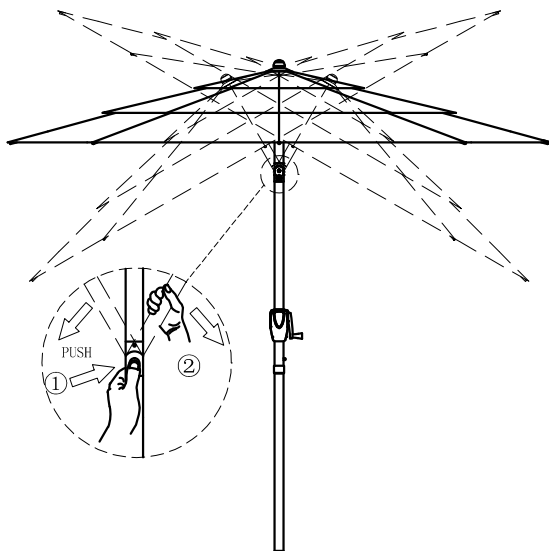
01:



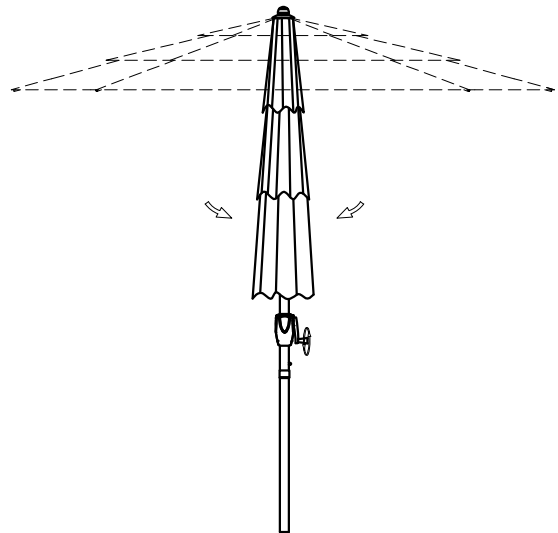
02:



03:



04:





Call us First !
DO NOT RETURN TO STORE

For immediate help with assembly or product information

call our number:

(951) 213-4742

Or E-mail:

Contactus24service@gmail.com

Our staff is ready to provide assistance

M-F 9:00 AM to 5:00 PM PST