

CAUTION: Maintenance

1. Replacement parts may be available at the store where you purchased your faucet.
2. Always turn off water and relieve pressure before working on your faucet.

NOTES: Cleaning Instructions

1. To keep the faucet clean, you should clean the faucet frequently and regularly.
2. Clean the faucet with clear water or mild liquid, rinse the faucet with clear water and then dry the faucet with soft cotton cloths.
3. Do not use any abrasive cleansers, cloths, or paper towel.
4. Do not use any acid or abrasive detergent.

TROUBLE-SHOOTING

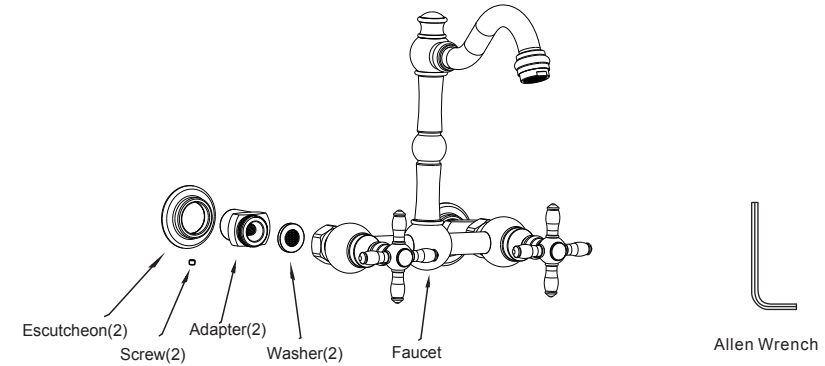
If you've followed the instruction carefully and your faucet still does not work properly, take these corrective steps.

Problem	Cause	Action
Leaks underneath handle.	Cartridge has come loose.	Tighten the cartridge.
Aerator leaks or has an inconsistent water flow pattern.	Aerator is dirty or worn out or misfitted.	Unscrew the aerator to clean or replace washer, or replace the aerator.
Water will not shut off completely.	Dirty or worn out washer in cartridge.	Remove handle and cartridge to check if the washer is damaged permanently or dirty. Re-install cartridge.

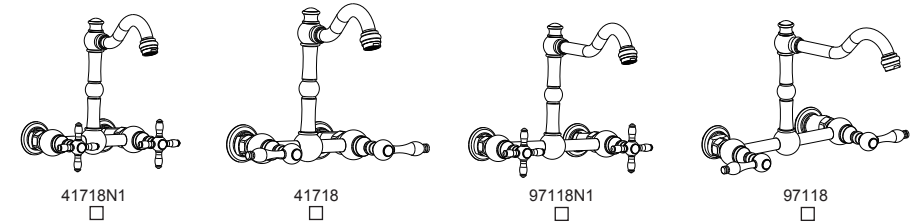
AKICON[®]

Wall-Mount Faucet

COMPONENTS IN THIS PACKAGE



Identify the model of your water filter faucet:

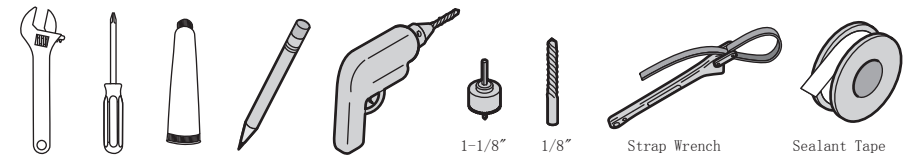


IMPORTANT NOTICES: For easy installation, please read all the instruction completely before beginning. Do not use petroleum-based products in this faucet. Observe all local plumbing and building codes.

NOTICE ⚠ Before installing this product, make sure that water line trash is cleared to avoid blockage.

YOU MAY NEED

Common woodworking and plumbing tools and materials:

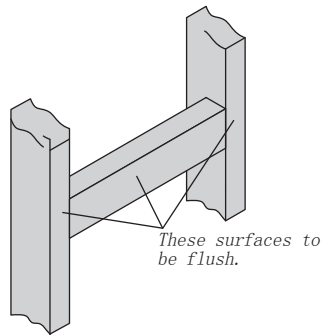


Questions, problems, missing parts?
call Akicon Customer Service 8 a.m.-6p.m. EST, Monday-Friday
Phone: +1(302)213 4406, Email: service@akiconshop.com
AKICONSHOP.COM

INSTALLATION PROCEDURES

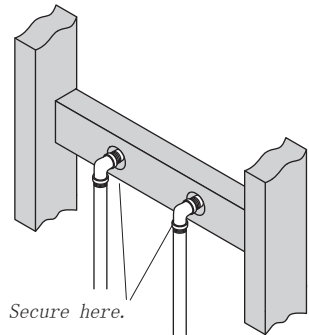
1

Install 2x4 backing flush with the studs, at the installation location.



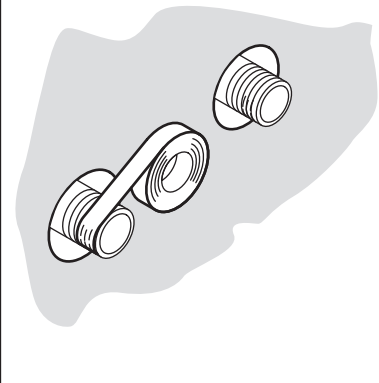
3

Secure the cold and hot water supply pipe to the 2x4 backing.



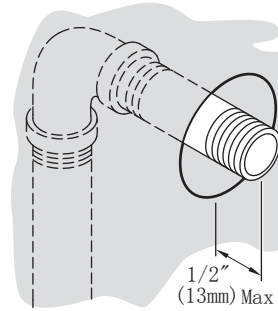
5

Apply thread sealant to the supply pipe.



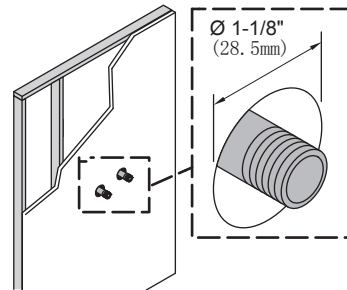
2

Install a 1/2" NPT supply pipe to extend no more than 1/2" (13mm) beyond the wall.



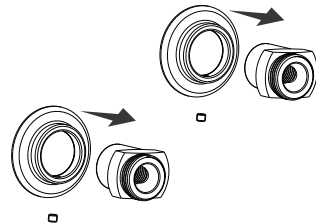
4

Complete the finished wall. Provide a 1-1/8" (28.5mm) hole around the supply pipe.



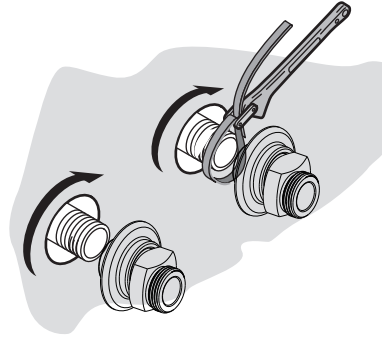
6

Slide the escutcheon on the adapter.



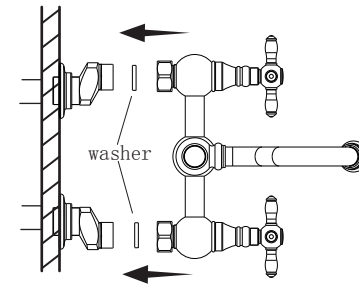
7

Use a wrench to secure the adapter to the supply pipe.



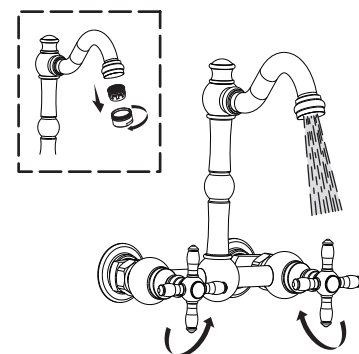
9

Insert two washers into the hex nut of the faucet, align and connect the faucet to the adapter, and tighten with a wrench.



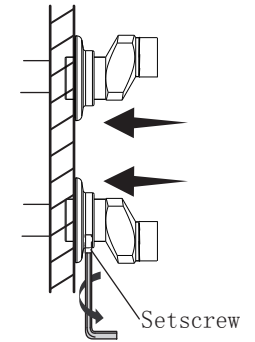
11

Remove the aerator and open both handles to flush debris from the faucet.



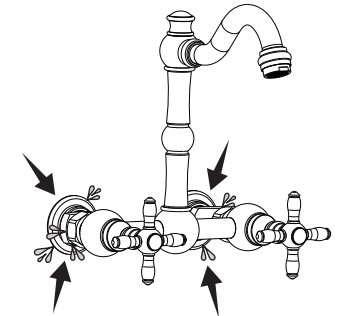
8

Slide the escutcheon against the wall with the setscrew down. Tighten the setscrew.



10

Turn on the water supply to the faucet and check for leaks.



12

Turn off the water and reinstall the aerator.

