

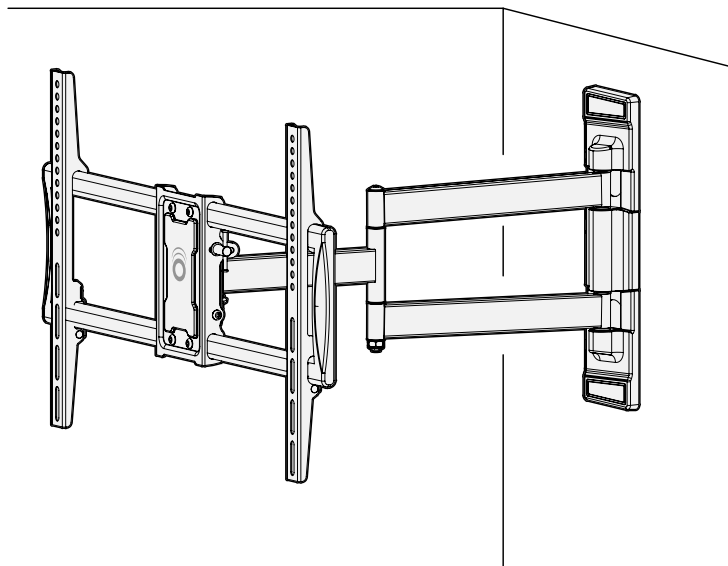


#YourGearUpgraded

FULL MOTION TV WALL MOUNT

Model **EGCM2**

INSTRUCTION MANUAL



LANGUAGES



Visit: echogear.com

ES FR DE NL SV JA ZH RU

IMPORTANT SAFETY INSTRUCTIONS. **READ** ENTIRE MANUAL PRIOR TO USE. **SAVE** THESE INSTRUCTIONS.

YEA, THE BORING STUFF ... *but read it so you don't jack things up!*

*"Apologies to
all the Jacks
in the world"*

Please read through these instructions completely to be sure you're comfortable with this easy install process. Also check your TV owner's manual to see if there are any special requirements for mounting your TV.

If you do not understand these instructions or have doubts about the safety of the installation, assembly or use of this product, **contact The Echogear Pros (See Back Page)**

⚠ CAUTION: Avoid potential personal injuries and property damage!

- ▶ This product is designed for use in wood stud, solid concrete and concrete block walls - DO NOT install into drywall alone.
- ▶ The wall must be capable of supporting five times the weight of the TV and mount combined.
- ▶ Do not use this product for any purpose not explicitly specified by manufacturer.
- ▶ Manufacturer is not responsible for damage or injury caused by incorrect assembly or use.

WEIGHT RESTRICTIONS



Your TV (including accessories)
**CANNOT EXCEED 90 lbs.
(40.8 kg)** for this mount.

*"You can think about it ...
but doooooon't do it."*

If your TV weighs more, this mount is NOT compatible.
Visit echogear.com to find a compatible mount.

⚠ CAUTION: DO NOT exceed the maximum weight indicated. This mounting system is intended for use only with the maximum weights indicated. Use with products heavier than the maximum weights indicated may result in collapse of the mount and its accessories, causing possible injury.

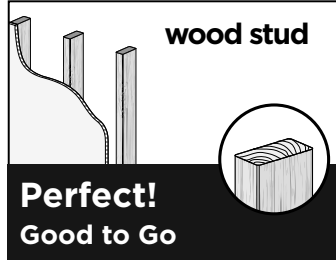
VERIFY YOUR WALL CONSTRUCTION

⚠ CAUTION:

DO NOT install into
drywall alone

Drywall will not hold the weight
and motion of your TV.

*... unless you WANT to watch your
TV fall and crash onto the floor.*




wood stud

Perfect!
Good to Go



Solid Concrete or
Concrete Block?

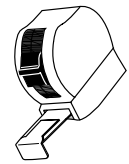
Perfect!
Good to Go



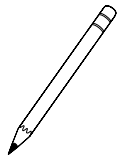
UUUUHH?!?
Unsure?

Contact
The Echogear Pros
(See Back Page)

GRAB YOUR TOOLS



Tape Measure

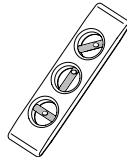


Pencil



Phillips
Screwdriver

"Give it back
to Phil when
you finish"



Level



Electric Drill



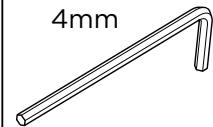
1/2 in.
(13 mm)
Socket
Wrench



TOY SURPRISE
Inside Every Box

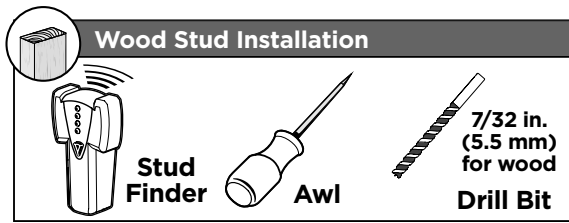
*"collect the
whole set"*

Hex Wrench
HK



4mm

Cable Wrap
C

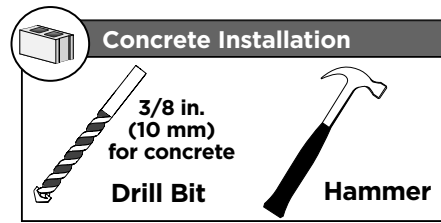



Wood Stud Installation

Stud Finder

Awl

7/32 in.
(5.5 mm)
for wood
Drill Bit



Concrete Installation

3/8 in.
(10 mm)
for concrete
Drill Bit

Hammer

WHAT'S IN THE BOX ... WHAT'S IN THE BOOOOX

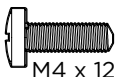
⚠ WARNING: DON'T FEED TO CHILDREN — This product contains small items that could be a choking hazard if swallowed. Before starting assembly, verify all parts are included and undamaged. If any parts are missing or damaged, do not return the damaged item to your dealer; contact Customer Service. Never use damaged parts!

📄 NOTE: Not all hardware included in this kit will be used.

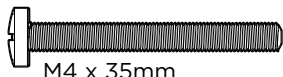
STUFF FOR STEP 1

1 **TV Screws** (qty. 4 each) [Only one size fits your TV]

M4



M4 x 12mm

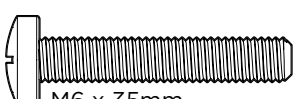


M4 x 35mm

M6

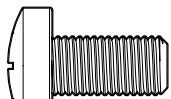


M6 x 12mm

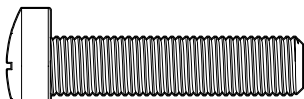


M6 x 35mm

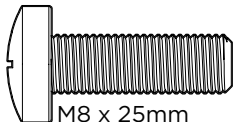
M8



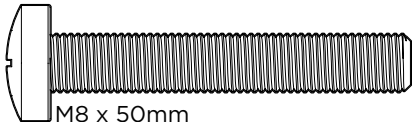
M8 x 16mm



M8 x 35mm



M8 x 25mm

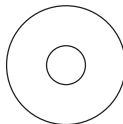


M8 x 50mm

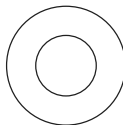
Washer (qty. 4 each)

2

M4



M6/M8



Spacers [If necessary]

3

M4/M6/M8

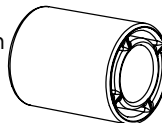
2.5mm
qty. 8



5mm
qty. 4



22mm
qty. 4



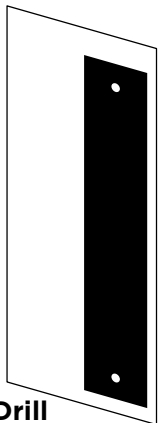
TV Bracket

4

qty. 2

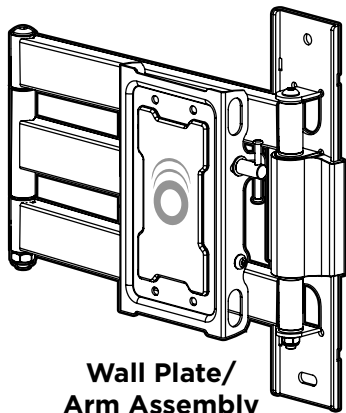


STUFF FOR STEP 2



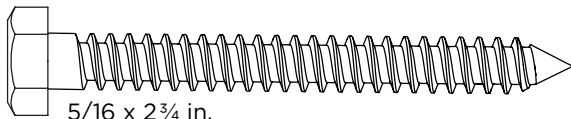
Drill Template

5 qty. 1



**Wall Plate/
Arm Assembly**

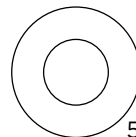
6 qty. 1



5/16 x 2 3/4 in.

Lag Screw

7 qty. 2



5/16 in.

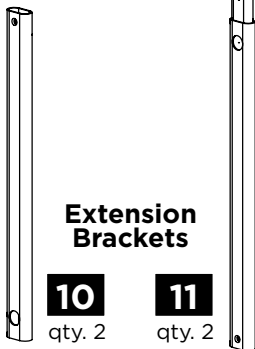
Washer (Lag Screw)

8 qty. 2



Wall Plate Cover

9 qty. 2



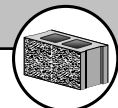
Extension Brackets

10

qty. 2

11

qty. 2



Hardware for STEP 2B Concrete Installation [Concrete Anchor Kit #EGHWLB is NOT INCLUDED]

You can order the
Concrete Anchor Kit:
Model EGHWLB.

Sold online at
ECHOGEAR.com or
Amazon... or contact The
Echogear Pros (see back page)

For concrete installations ONLY

CAUTION: Do not use in drywall or wood

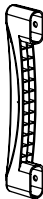
C1

qty. 4



Concrete Anchor

Fischer UX10 x 60R



End Cap

12

qty. 2



M6 x 12mm

Extension Screw

13 qty. 4



M5 x 8mm

End Cap Screw

14 qty. 4

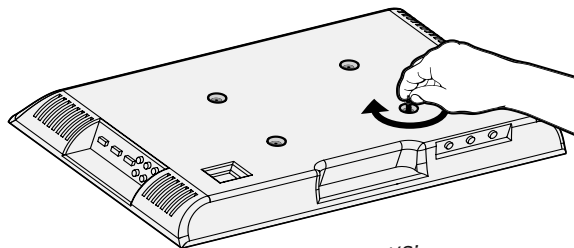
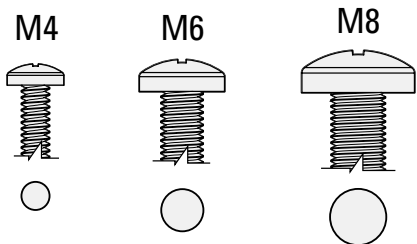
STEP 1

ATTACH THE TV BRACKETS TO YOUR TV

STEP 1.1

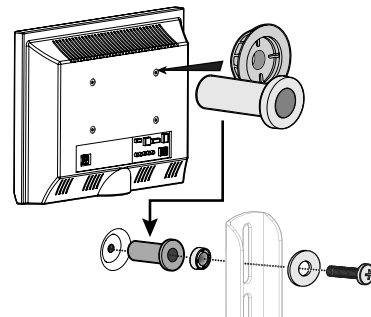
TV Screw Diameter

Only one screw size fits your TV.



"Suggested uses for the extra screws:
board game pieces, industrial jewelry, sweet corn
holders, musical instruments - like maracas or
'monsoon' sticks, stocking stuffers, currency
(not most countries) ..."

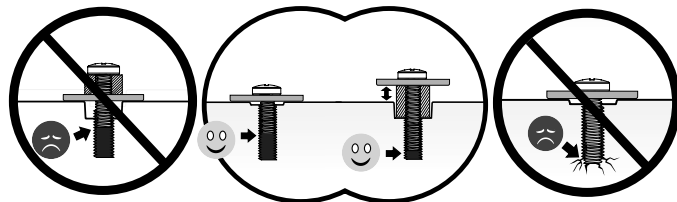
NOTE: If your TV included inset spacers or adapters, use them **UNDER** the mount hardware.



CAUTION: Verify adequate thread engagement with your screw **01**, washer **02**, spacer **03** combination AND TV bracket **04**.

Too short will not hold your TV.

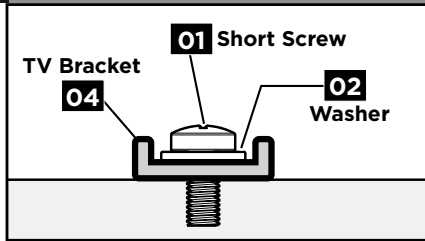
Too long will damage your TV.



STEP 1.2

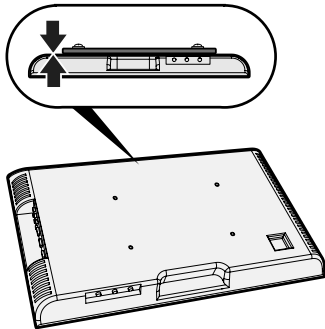
TV Screw Length

a NO SPACER

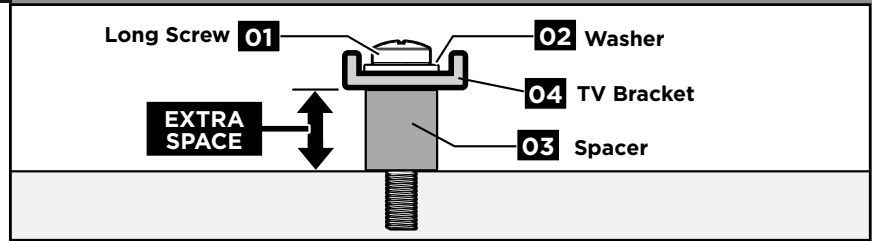


For Flat Back TVs

[TV brackets **04** lay flat on your TV]

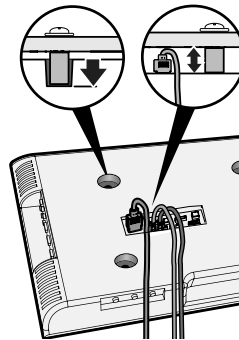


b SPACER NEEDED



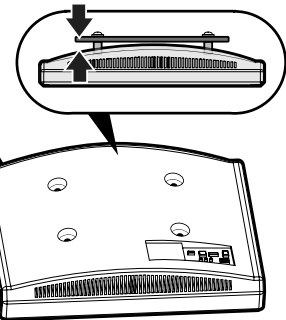
For Flat Back TVs with Extra Space Needed

[for deep inset holes or cable interference]



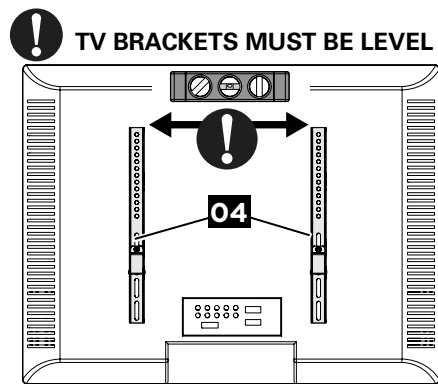
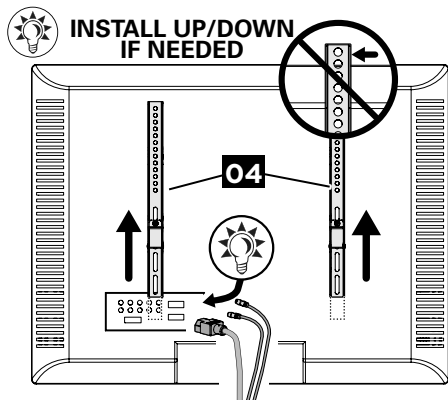
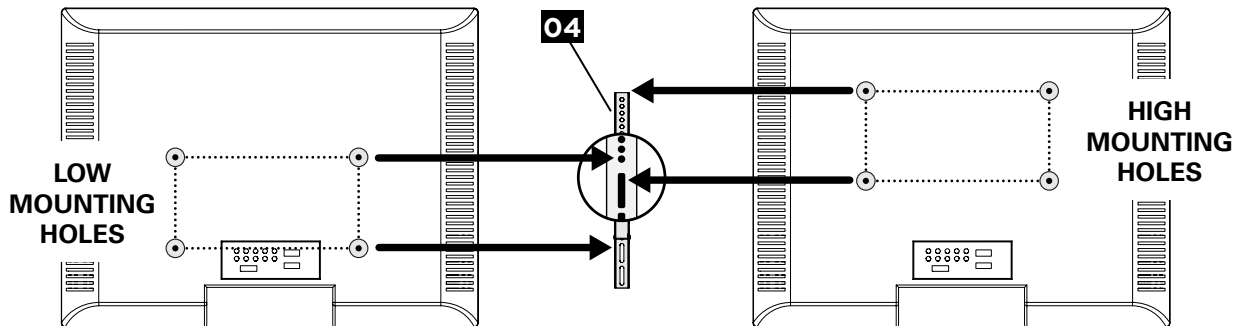
For Rounded or Irregular Back TVs

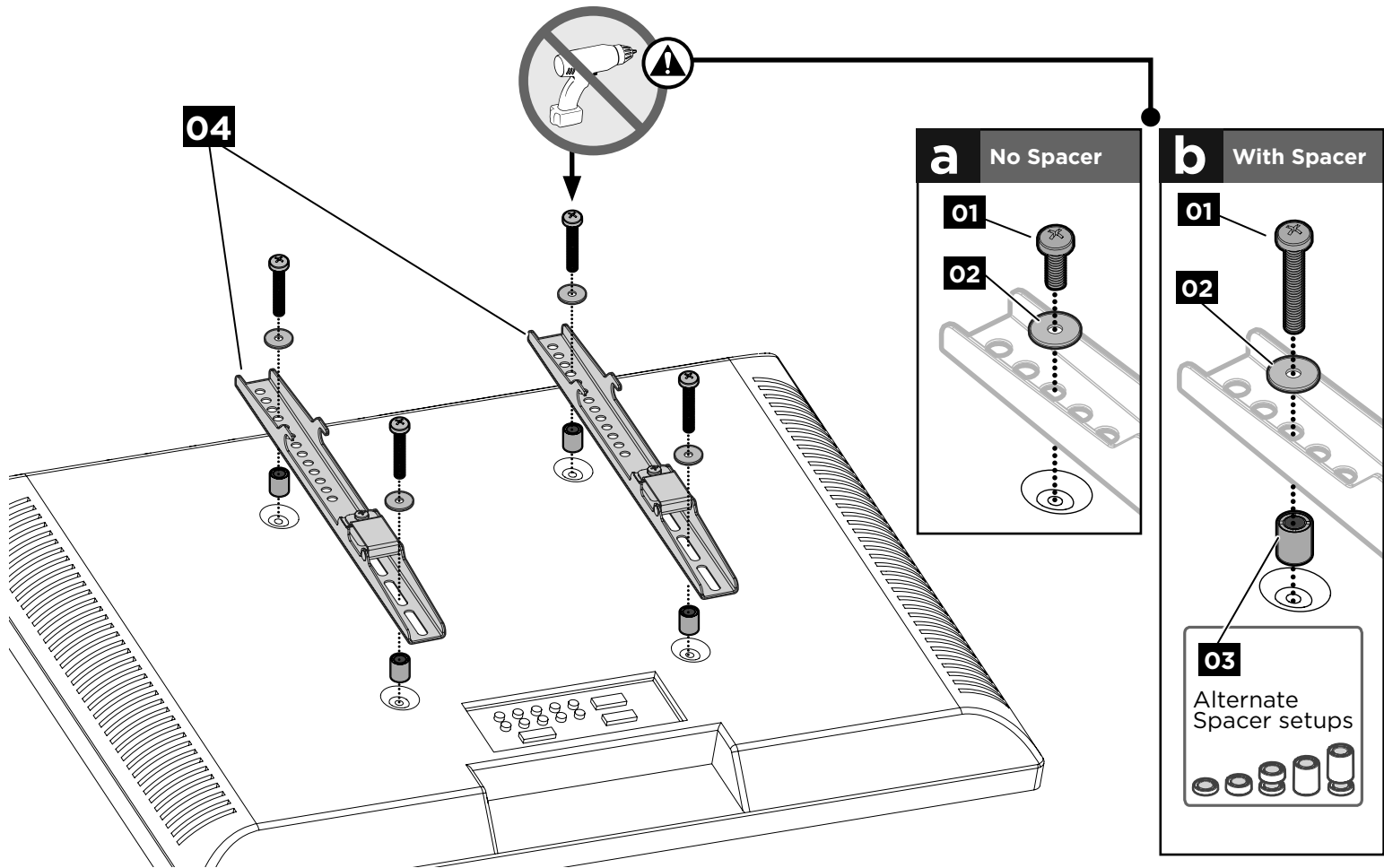
[TV brackets **04** NOT resting flat on your TV]



1.3

Secure the TV Brackets to Your TV

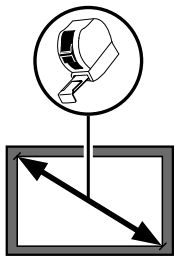




STEP 2

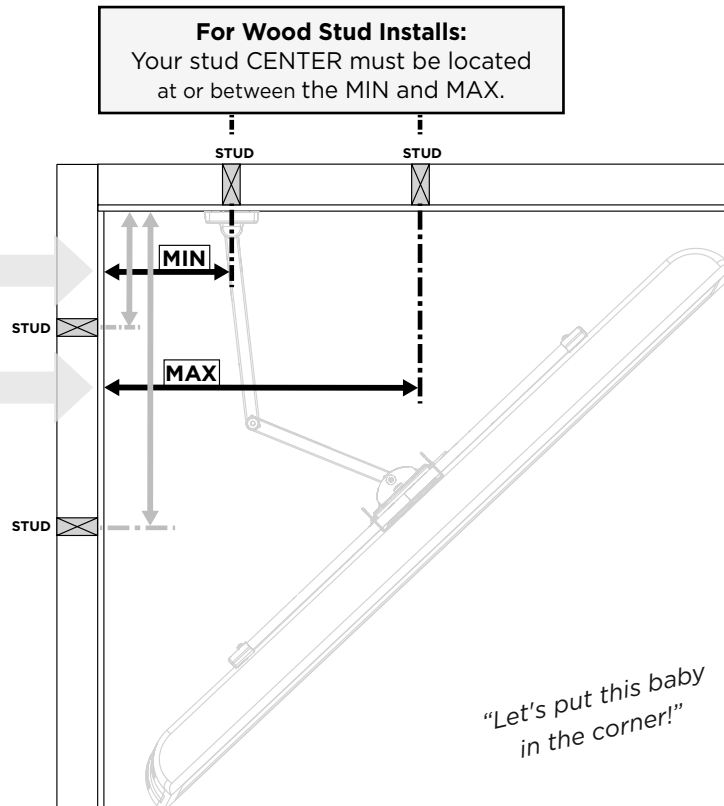
INSTALL THE WALL PLATE

2.1 Determine Your Mount Location to Center Your TV in the Corner



Standard (<i>Diagonal</i>) TV Size *	MIN Minimum Distance from Corner	MAX Maximum Distance from Corner
55 in. (140 cm) and under	1.5 in. (3.5 cm)	30 in. (76 cm)
60 in. (152 cm)	5.5 in. (14 cm)	29.5 in. (75 cm)
65 in. (165 cm)	9.5 in. (24 cm)	29 in. (73.5 cm)

* MIN/MAX shown are for typical (diagonal) TV sizes. If you're the type that needs a more precise measurement to locate your TV, see PAGE 19.





For

WOOD STUD INSTALLATIONS, follow STEP 2.2-A on PAGE 12

⚠ CAUTION: Avoid potential personal injuries and property damage!

Drywall covering the wall must not exceed 5/8 in. (16 mm).

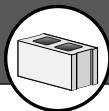
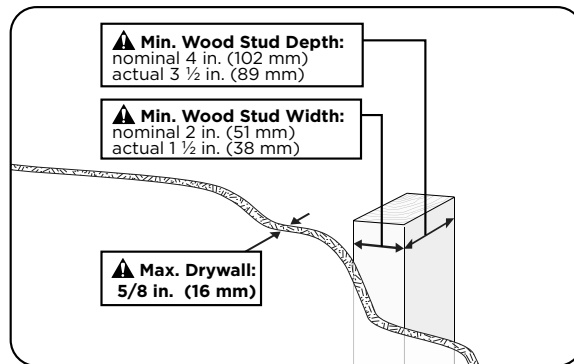
Minimum wood stud size:

nominal 2 x 4 in. (51 x 102 mm) actual 1 1/2 x 3 1/2 in. (38 x 89 mm).

⚠ CAUTION: Avoid potential personal injuries and property damage!

DO NOT Install in drywall alone.

Drywall will not hold the weight and motion of your TV.



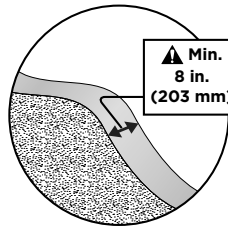
For

CONCRETE INSTALLATIONS, follow STEP 2.2-B on PAGE 14

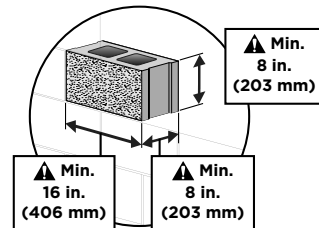
⚠ CAUTION: Avoid potential personal injuries and property damage!

Mount wall plate/arm **06** directly onto the concrete surface (no surface covering).

SOLID WALL



BLOCK WALL

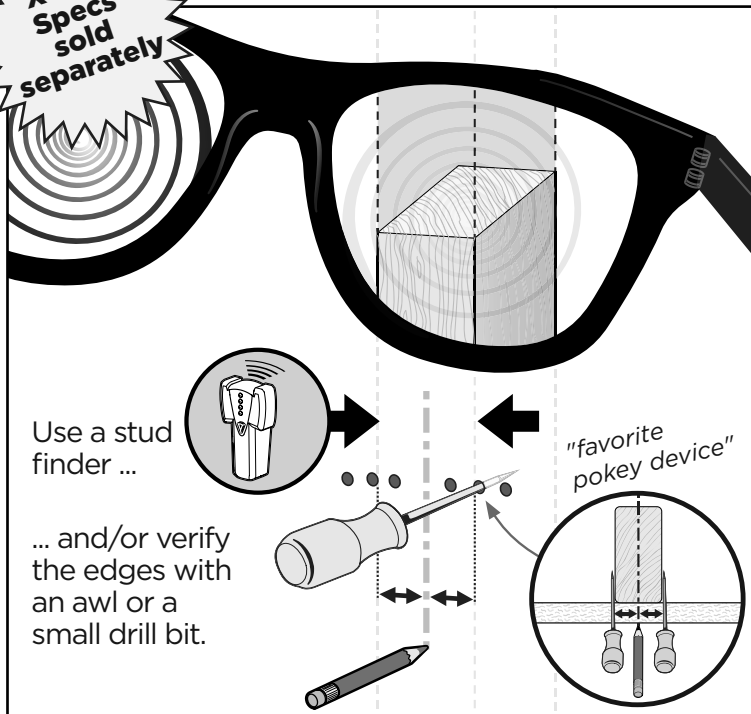


FOR WOOD STUD INSTALLATION

2.2-A

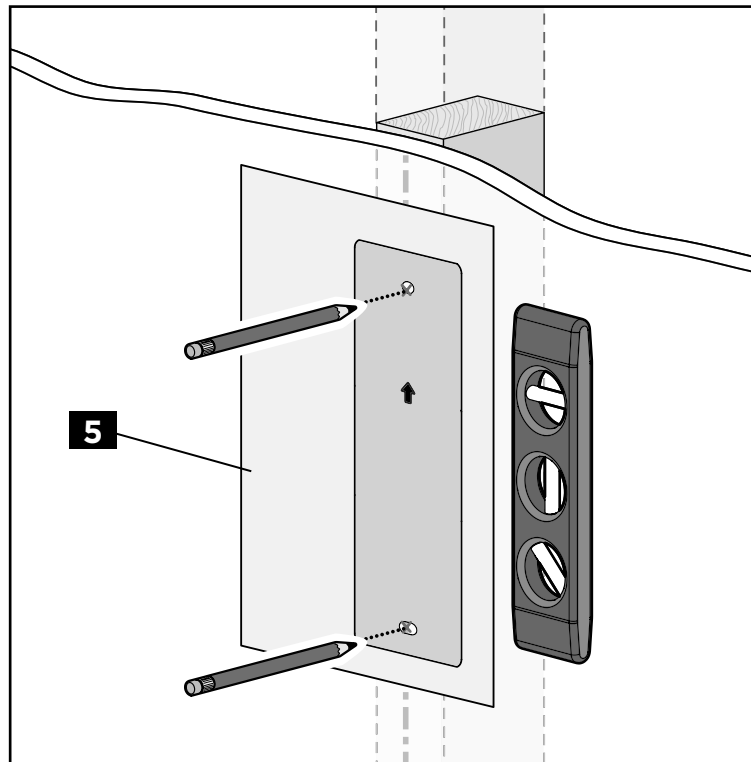
Find a Stud

X-Ray Specs sold separately



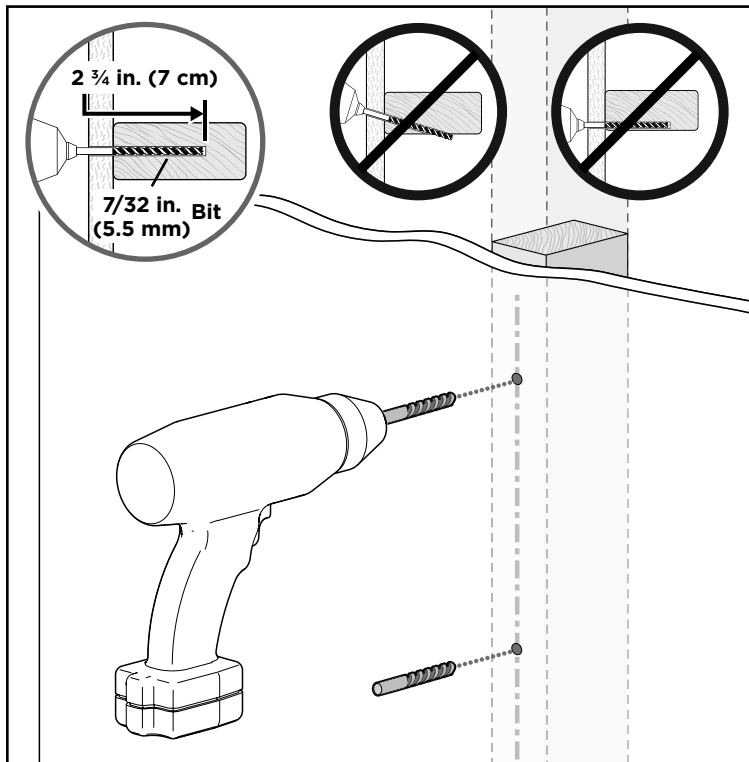
2.3-A

Mark



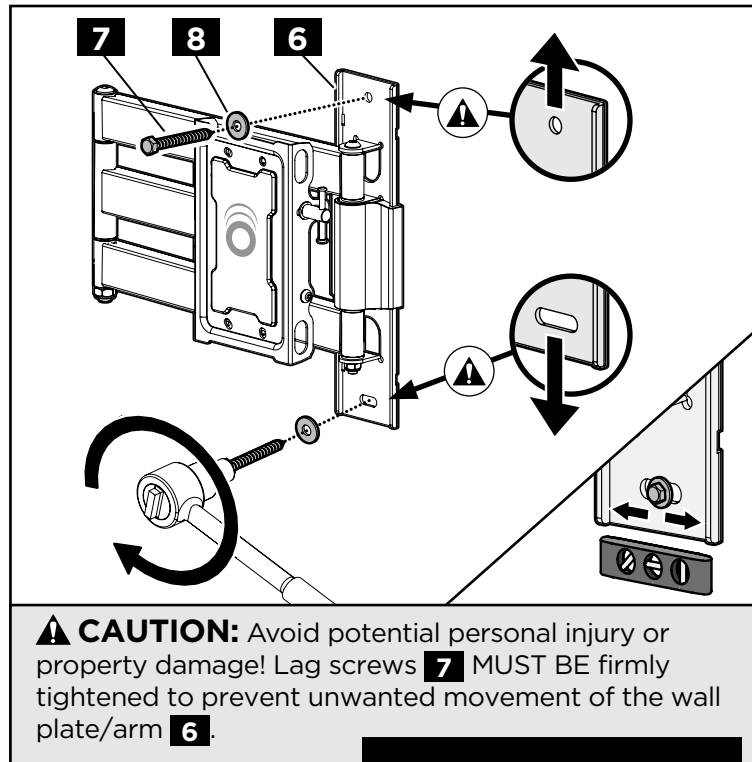
2.4-A

Drill



2.5-A

Secure Wall Plate

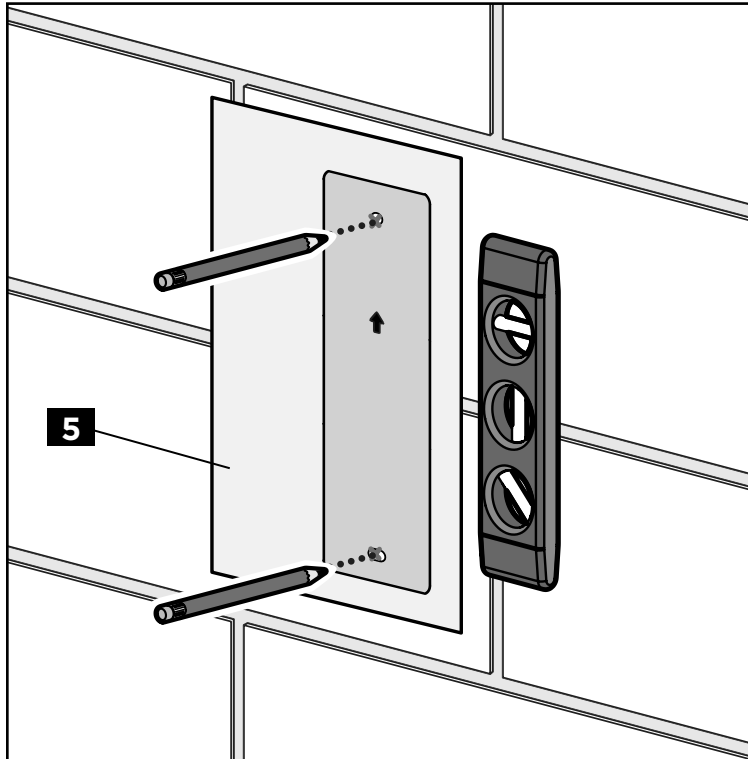


Go to STEP 2.6 on PAGE 16

FOR CONCRETE INSTALLATION

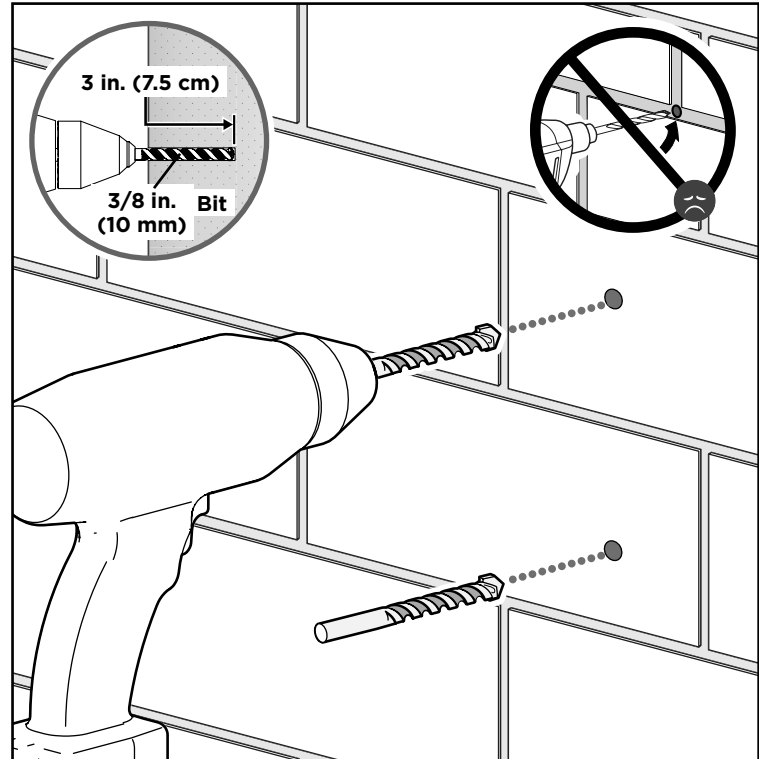
2.2-B

Mark



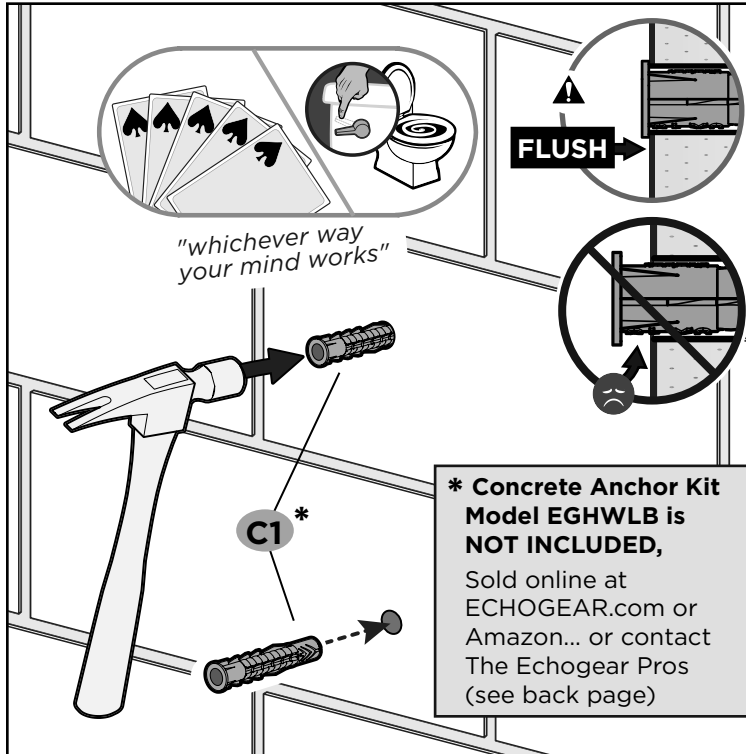
2.3-B

Drill



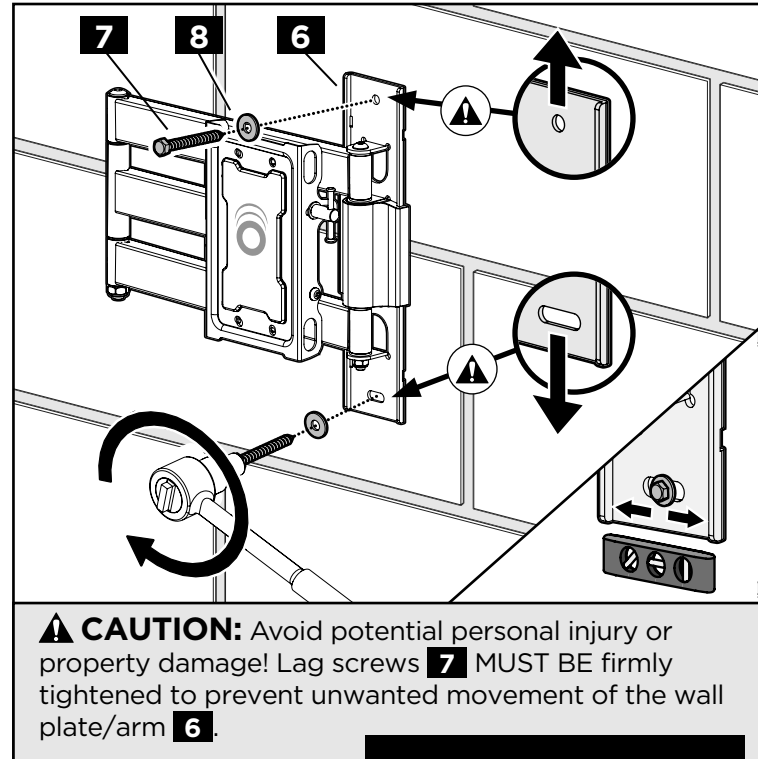
2.4-B

Insert Concrete Anchors



2.5-B

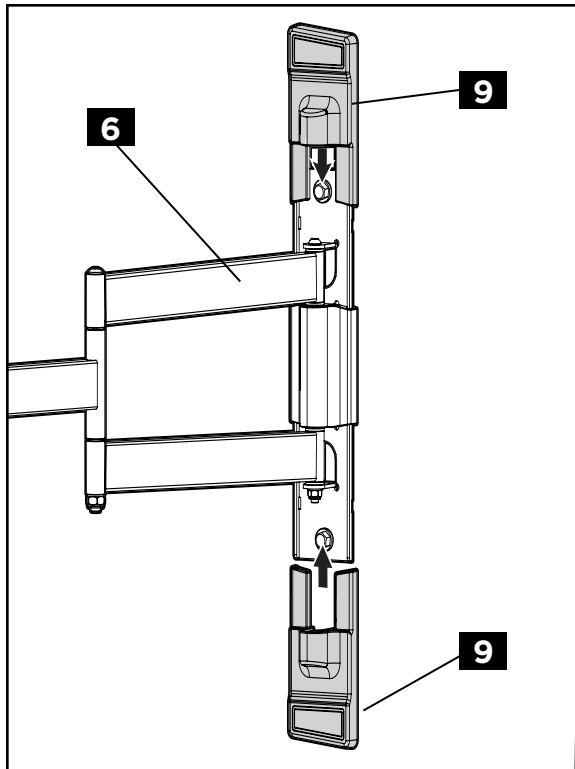
Secure Wall Plate



Go to **STEP 2.6** on **PAGE 16**

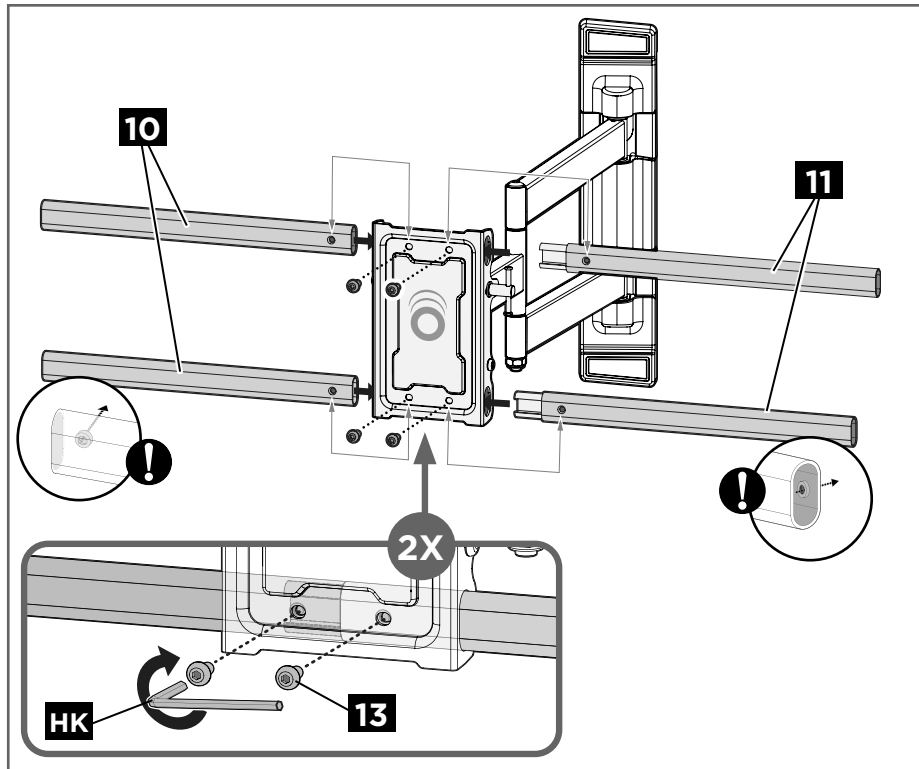
2.6

Attach Covers



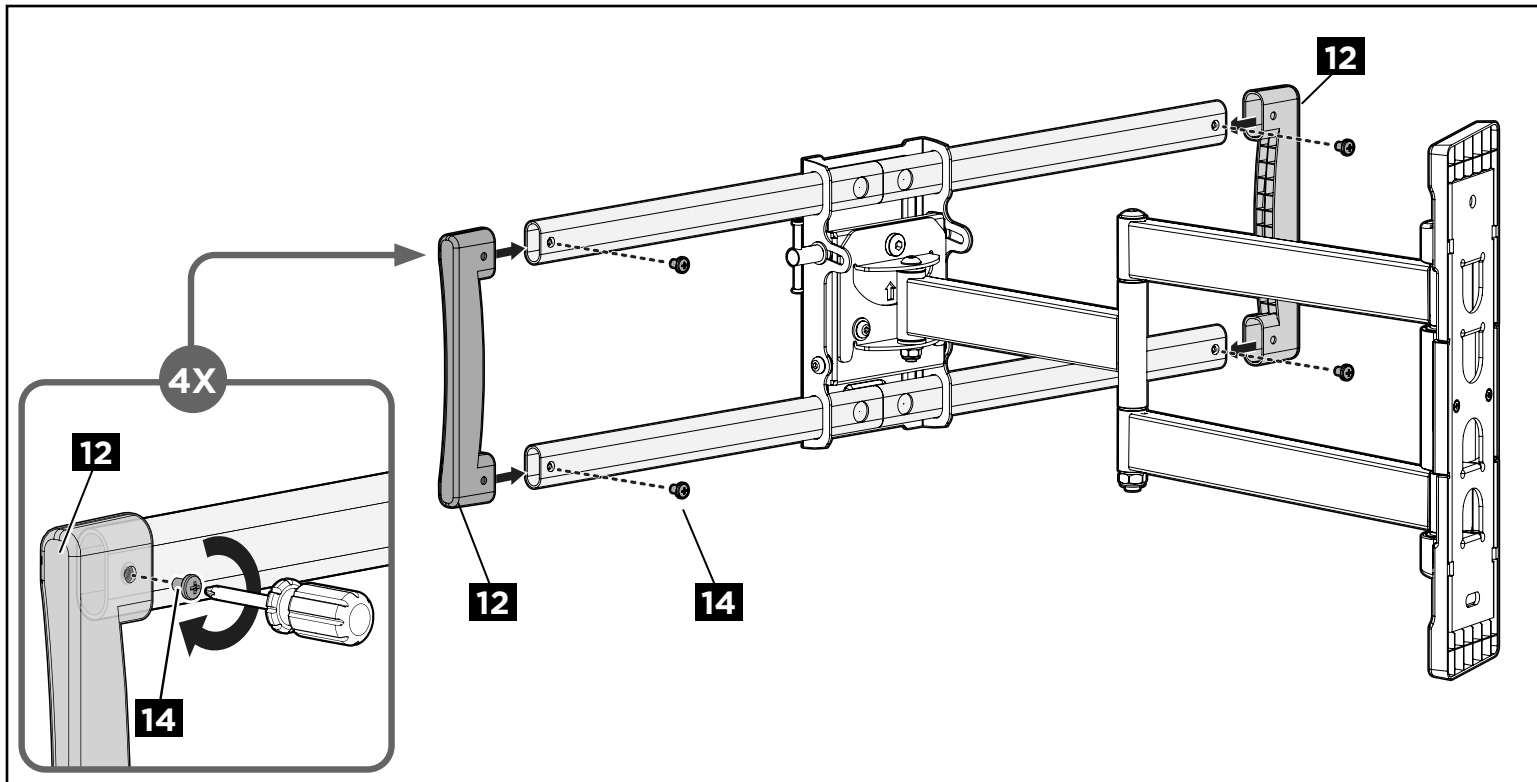
2.7

Assemble Extensions



2.8

Assemble End Caps

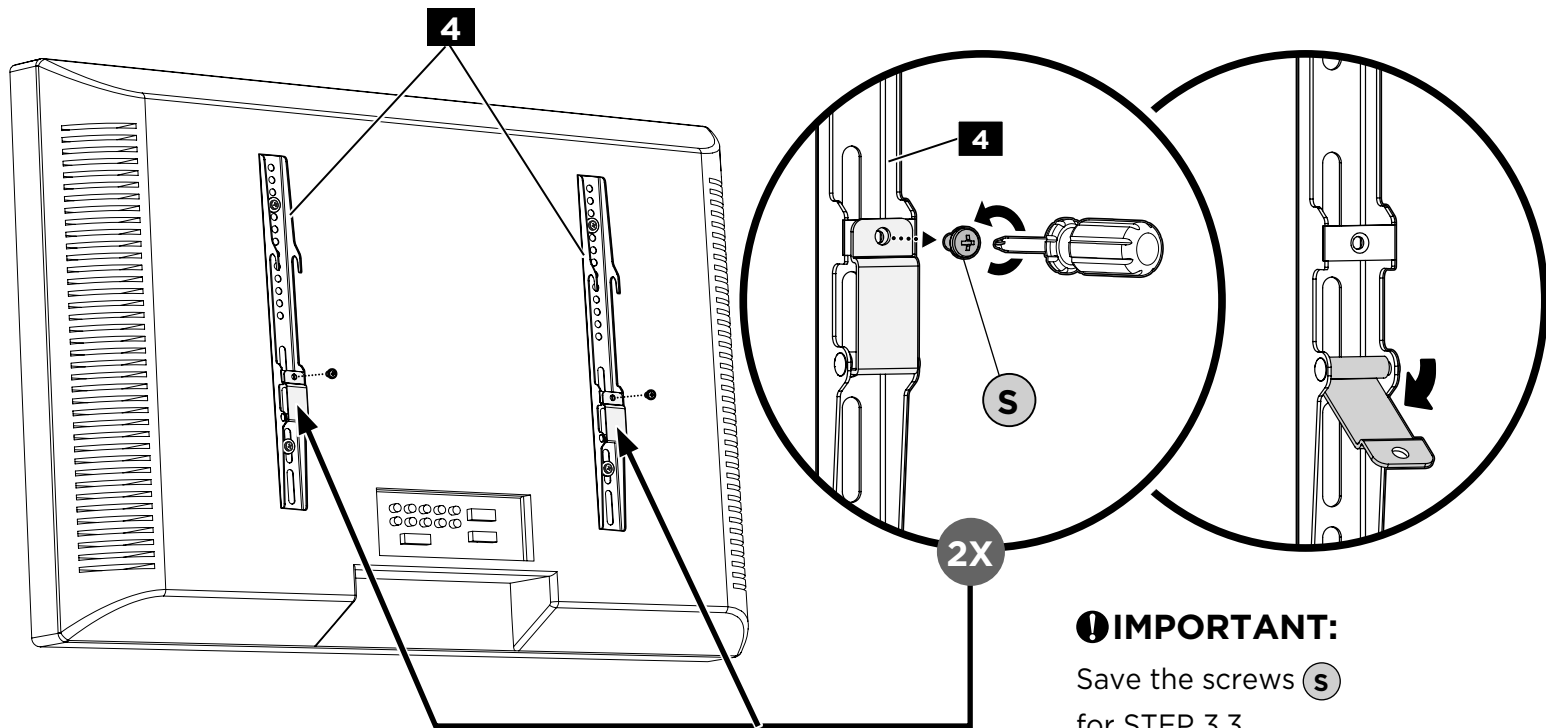


STEP 3

HANG YOUR TV

3.1

Open the Safety Locks



⚠ IMPORTANT:

Save the screws **S**
for STEP 3.3

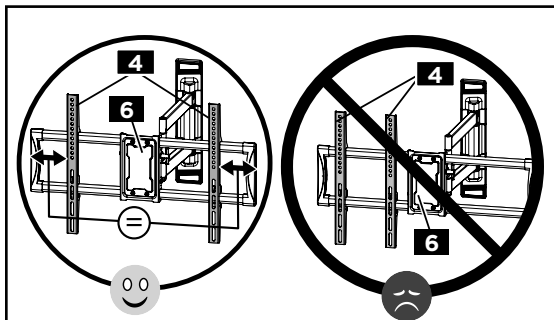
3.2

Hang Your TV



HEAVY! You may need assistance with this step.

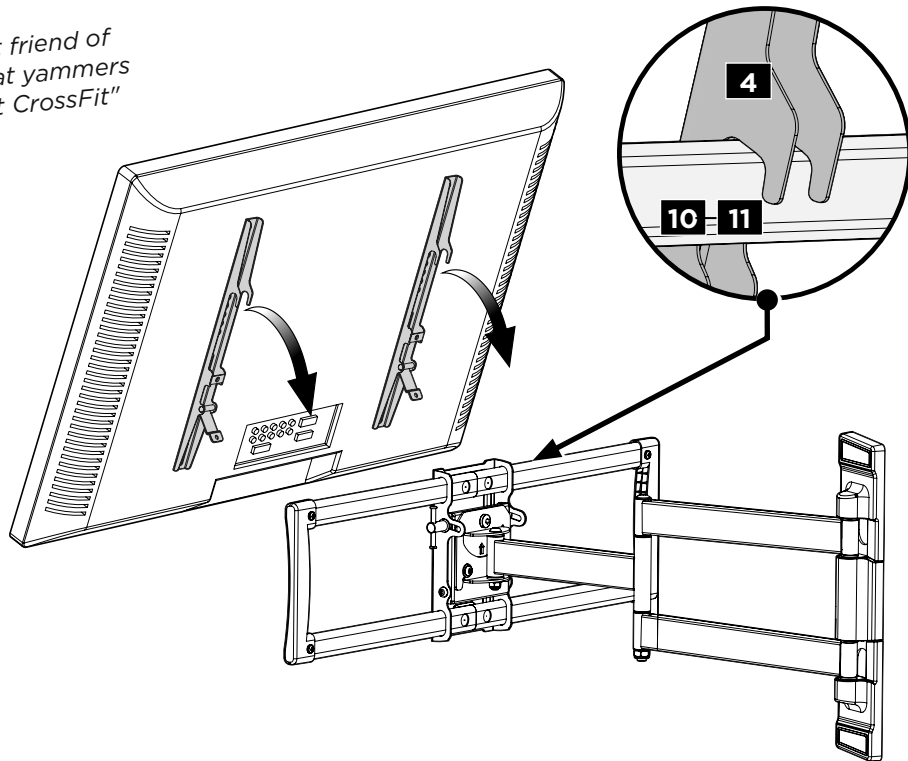
"Ask that friend of yours that yammers on about CrossFit"



⚠ IMPORTANT:

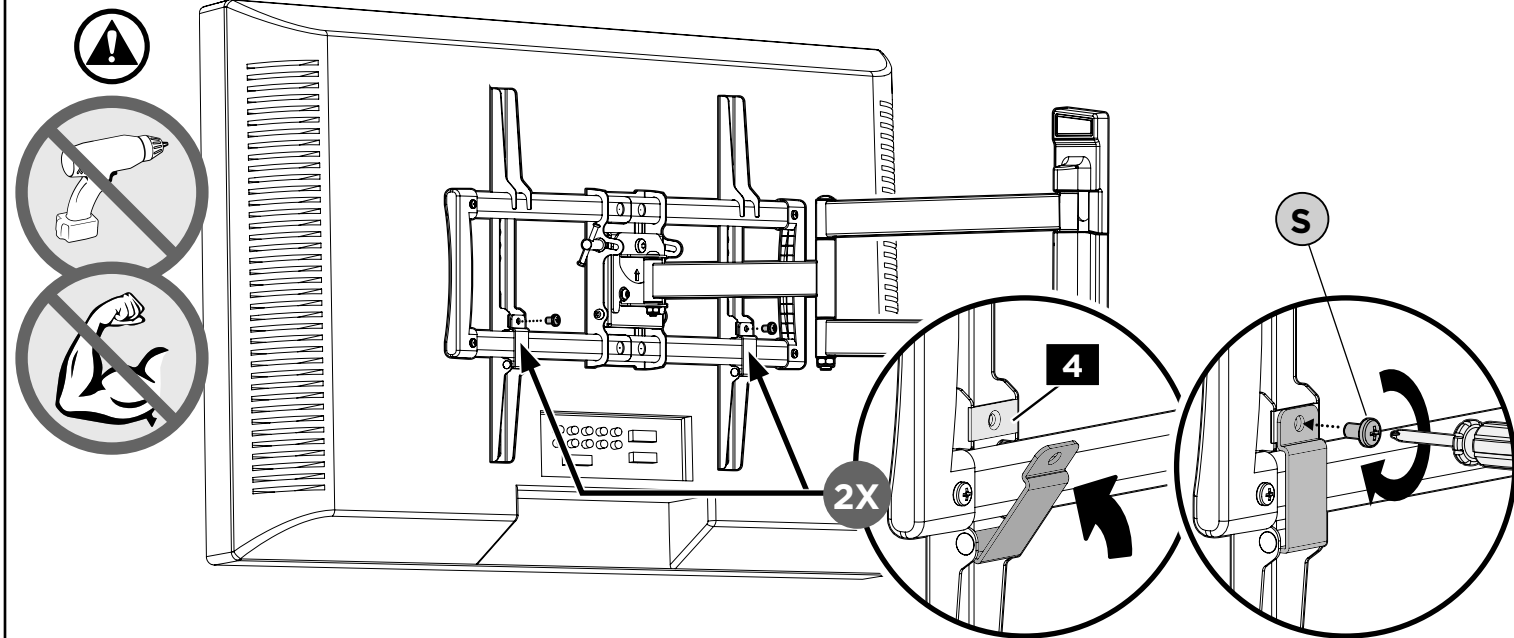
TV brackets **4** **MUST** be centered AND span the faceplate of arm **6**.

*"SPAN THE FACEPLATE ...
that's a good name for a band!"*



3.3

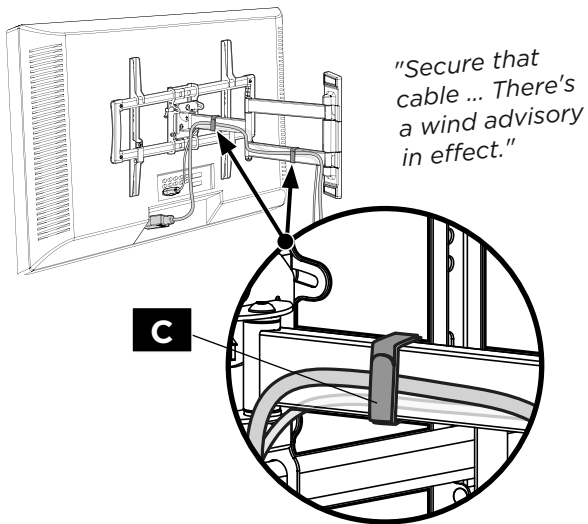
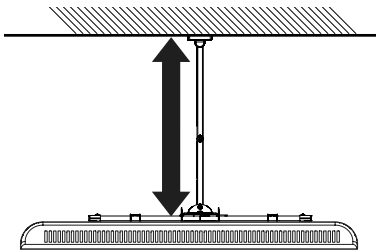
Secure Your TV



⚠ CAUTION: Avoid potential personal injury or property damage!

Bracket clips and screws (S) MUST be installed to secure the TV in place. **DO NOT OVERTIGHTEN.**

CABLE CONTROL



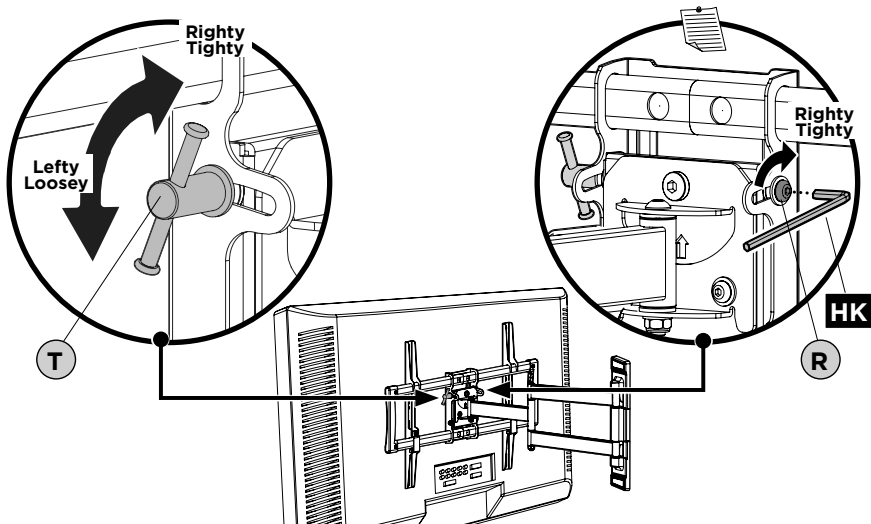
ADJUSTMENTS

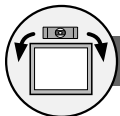


TILT

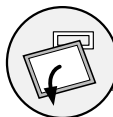
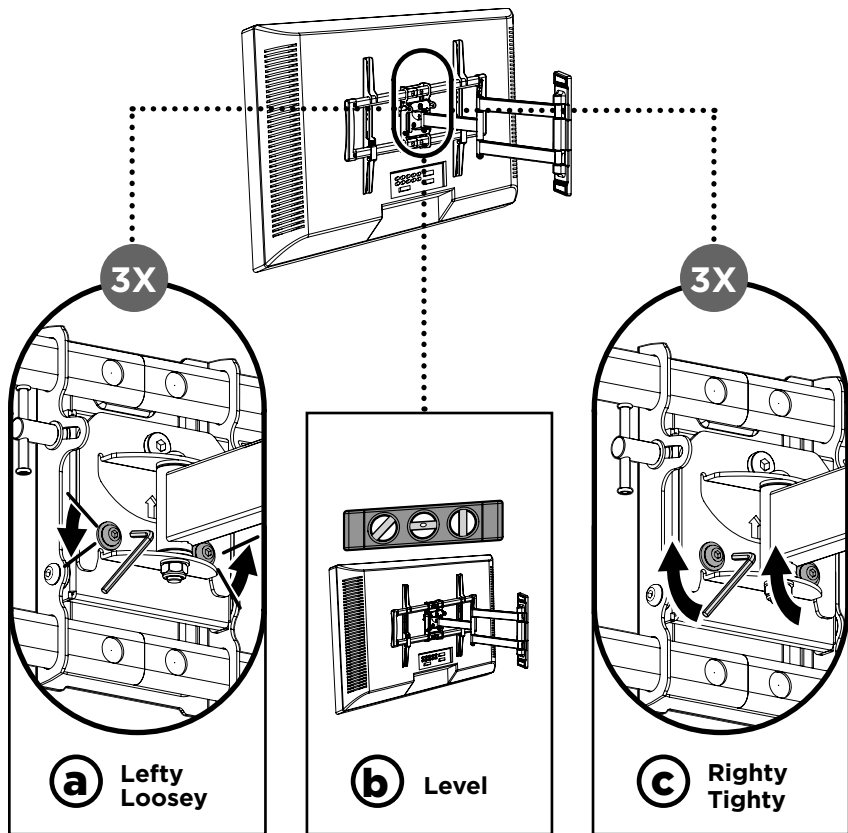
Your TV should adjust easily when moved, then stay in place. If your TV is too loose or too tight, adjust tilt lever **T**. Once your TV is in place, tighten the tilt lever **T** to prevent unwanted movement.

NOTE: If your TV won't stay in place with tilt lever **T**, tighten the screw **R** using the hex key **HK**.





LEVEL

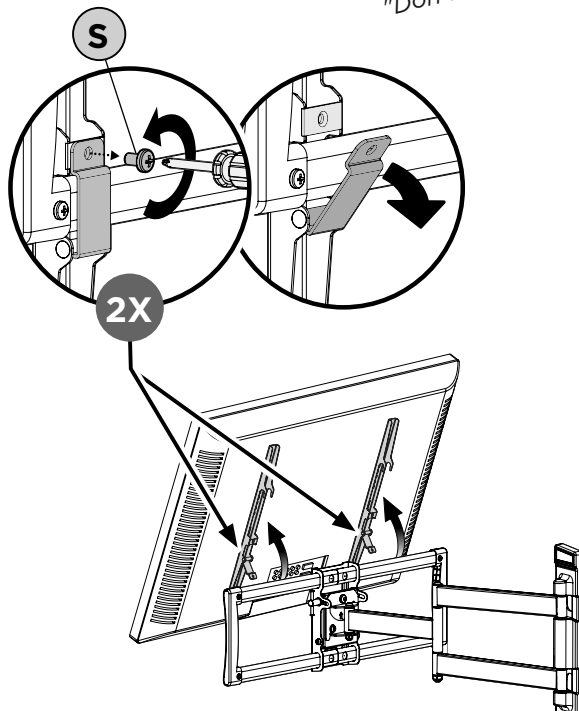


REMOVE YOUR TV

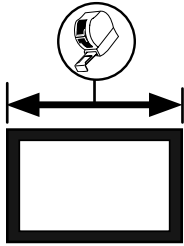


HEAVY! You may need assistance with this step.

"Don't be a hero!"



PLACEMENT CHART -- BASED ON TV WIDTH



Measure the
OUTER edges
of your TV
(not the diagonal).

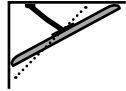
TV WIDTH	MIN	MAX
(-) 31 in. * (78 cm)	1.5 in. (4 cm)	18 in. (45.5 cm)
31 in. (78 cm)	1.5 in. (4 cm)	18 in. (45.5 cm)
32 in. (81 cm)	1.5 in. (4 cm)	18.5 in. (47 cm)
33 in. (84 cm)	1.5 in. (4 cm)	19 in. (48 cm)
34 in. (86 cm)	1.5 in. (4 cm)	20 in. (51 cm)
35 in. (89 cm)	1.5 in. (4 cm)	20.5 in. (52 cm)
36 in. (91 cm)	1.5 in. (4 cm)	21.5 in. (54.5 cm)
37 in. (94 cm)	1.5 in. (4 cm)	23 in. (58.5 cm)
38 in. (96 cm)	1.5 in. (4 cm)	24.5 in. (62 cm)
39 in. (99 cm)	1.5 in. (4 cm)	25 in. (63.5 cm)
40 in. (101 cm)	1.5 in. (4 cm)	25.5 in. (64.5 cm)
41 in. (104 cm)	1.5 in. (4 cm)	26 in. (66 cm)
42 in. (107 cm)	1.5 in. (4 cm)	27.5 in. (70 cm)
43 in. (109 cm)	1.5 in. (4 cm)	28 in. (71 cm)
44 in. (112 cm)	1.5 in. (4 cm)	28.5 in. (72 cm)

TV Width	MIN	MAX
45 in. (114 cm)	1.5 in. (4 cm)	29.5 in. (75 cm)
46 in. (117 cm)	1.5 in. (4 cm)	30 in. (76 cm)
47 in. (119 cm)	1.5 in. (4 cm)	30 in. (76 cm)
48 in. (122 cm)	1.5 in. (4 cm)	30 in. (76 cm)
49 in. (124 cm)	1.5 in. (4 cm)	30 in. (76 cm)
50 in. (127 cm)	1.5 in. (4 cm)	30 in. (76 cm)
51 in. (130 cm)	2.5 in. (6 cm)	30 in. (76 cm)
52 in. (132 cm)	3 in. (7.5 cm)	30 in. (76 cm)
53 in. (135 cm)	4 in. (10 cm)	30 in. (76 cm)
54 in. (137 cm)	5 in. (12.5 cm)	30 in. (76 cm)
55 in. (140 cm)	5.5 in. (14 cm)	29.5 in. (75 cm)
56 in. (142 cm)	6.5 in. (16.5 cm)	29.5 in. (75 cm)
57 in. (145 cm)	7.5 in. (19 cm)	29.5 in. (75 cm)
58 in. (147 cm)	8.5 in. (21.5 cm)	29 in. (73.5 cm)
59 in. (150 cm)	9.5 in. (24 cm)	29 in. (73.5 cm)
60 in. (152 cm)	10.5 in. (26.5 cm)	28.5 in. (72 cm)
61 in. (155 cm)	11.5 in. (29 cm)	28 in. (71 cm)
62 in. (157 cm)	12.5 in. (31.5 cm)	27.5 in. (70 cm)
63 in. (160 cm)	14 in. (35.5 cm)	27 in. (68.5 cm)
64 in. (163 cm)	15.5 in. (38.5 cm)	26 in. (66 cm)
65 in. (165 cm)	17.5 in. (44.5 cm)	24.5 in. (62 cm)
(+) 65 in. ** (165 cm)	17.5 in. (44.5 cm)	26 in. (66 cm)

* **NOTE:** WIDTHS LESS than 31 in. (78 cm) will create a gap between the TV and wall.

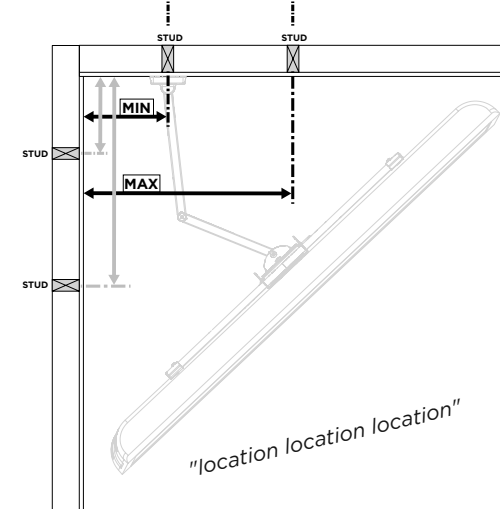


** **NOTE:** WIDTHS GREATER than 65 in. (165 cm) will not be centered at a 45 degree angle.



For Wood Stud Installs:

Your stud CENTER must be located at or between the MIN and MAX.



ECHOGEAR

“Wanna show off your hard work?”

Share a picture of your completed project
with **#YourGearUpgraded**.

Who knows, it might not be as bad as you thought”

Confuzzled?

Contact the ECHOGEAR Team 7 days a week:

Legrand AV Inc.

6436 City West Parkway
Eden Prairie, MN 55344 USA

P: 1-855-428-2490

helpmehelpyou@ECHOGEAR.com

ECHOGEAR.com

Legrand AV Netherlands B.V.

Franklinstraat 14 6003 DK Weert, Netherlands

P: +44 (0) 800 0568188

helpme@ECHOGEAR.com

ECHOGEAR.com

Authorized Representative for the UK

Starline Holding Technology Ltd.

Unit C Island Road

Reading RG2 0RP UK

ECHOGEAR

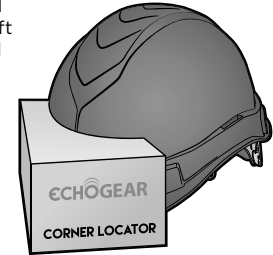
CAN'T FIND A CORNER?

Get your own Corner Locator Helmet ... FREE!

Simply put on Corner Locator Helmet and walk into a wall, then side-step right or left until Corner Locator Helmet hits a second wall ... and voilà ... you found a corner. New hardhat construction to limit injury.

Go to ECHOGEAR.com and search, "corner-helmet" to find out how to get your hands on one of these bad boys ... **while supplies last.**

Disclaimer: Do not use Corner Locator Helmet in a dome home. Unpredictable results with outside corners. ECHOGEAR not liable for trampled furniture or pets.



Legrand AV Inc. and its affiliated corporations and subsidiaries (collectively, "Legrand"), intend to make this manual accurate and complete. However, Legrand makes no claim that the information contained herein covers all details, conditions, or variations. Nor does it provide for every possible contingency in connection with the installation or use of this product. The information contained in this document is subject to change without notice or obligation of any kind. Legrand makes no representation of warranty, expressed or implied, regarding the information contained herein. Legrand assumes no responsibility for accuracy, completeness or sufficiency of the information contained in this document.

©2022 Legrand AV Inc. All Rights Reserved. ECHOGEAR is a Legrand AV Inc. brand and a registered trademark owned by Legrand.

Legrand AV Inc. • 6436 City West Parkway • Eden Prairie, MN 55344 USA

6901-603085 00