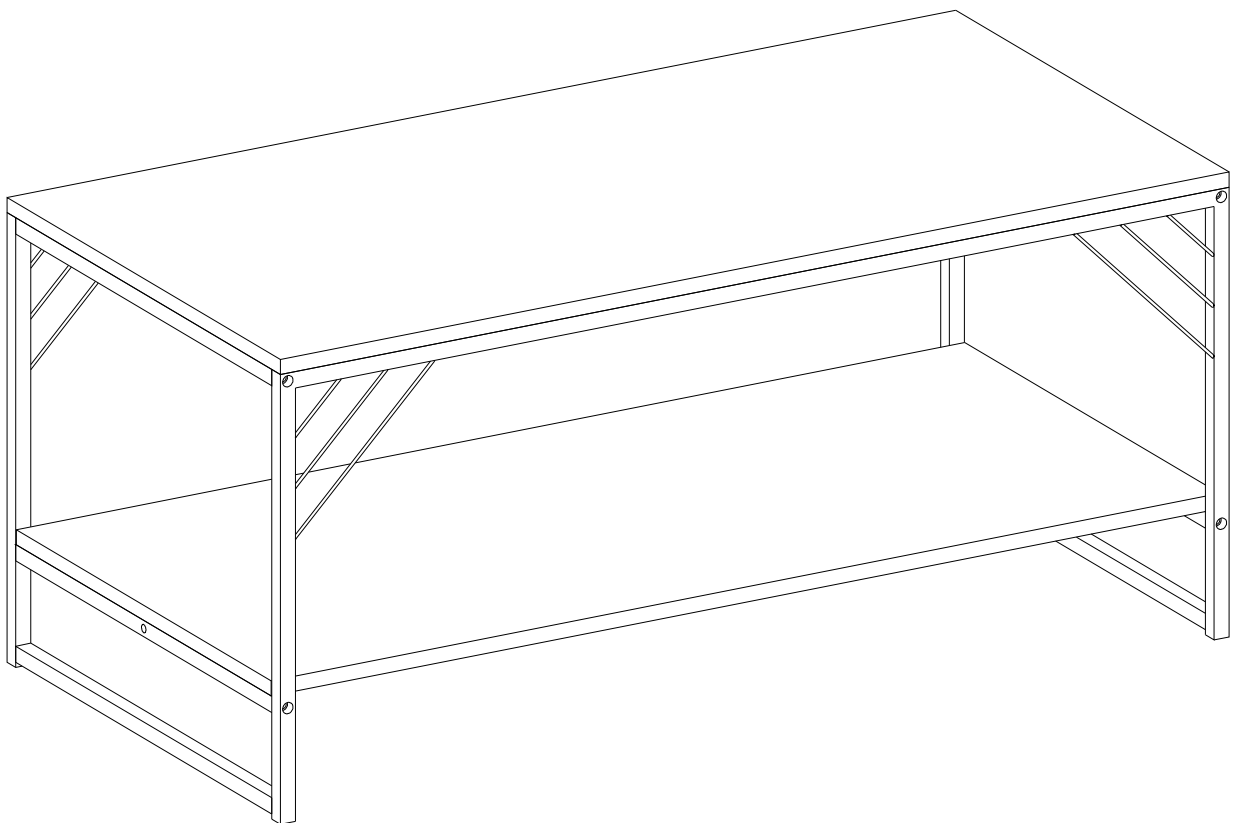


Item # : AF40TRYCT

Assembly Instructions



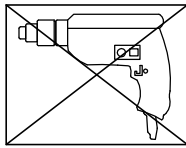
Walker Edison®

Please visit our website for the most current instructions, assembly tips, report damage,
or request parts. www.walkeredison.com

Revised 12/08/2019(L)

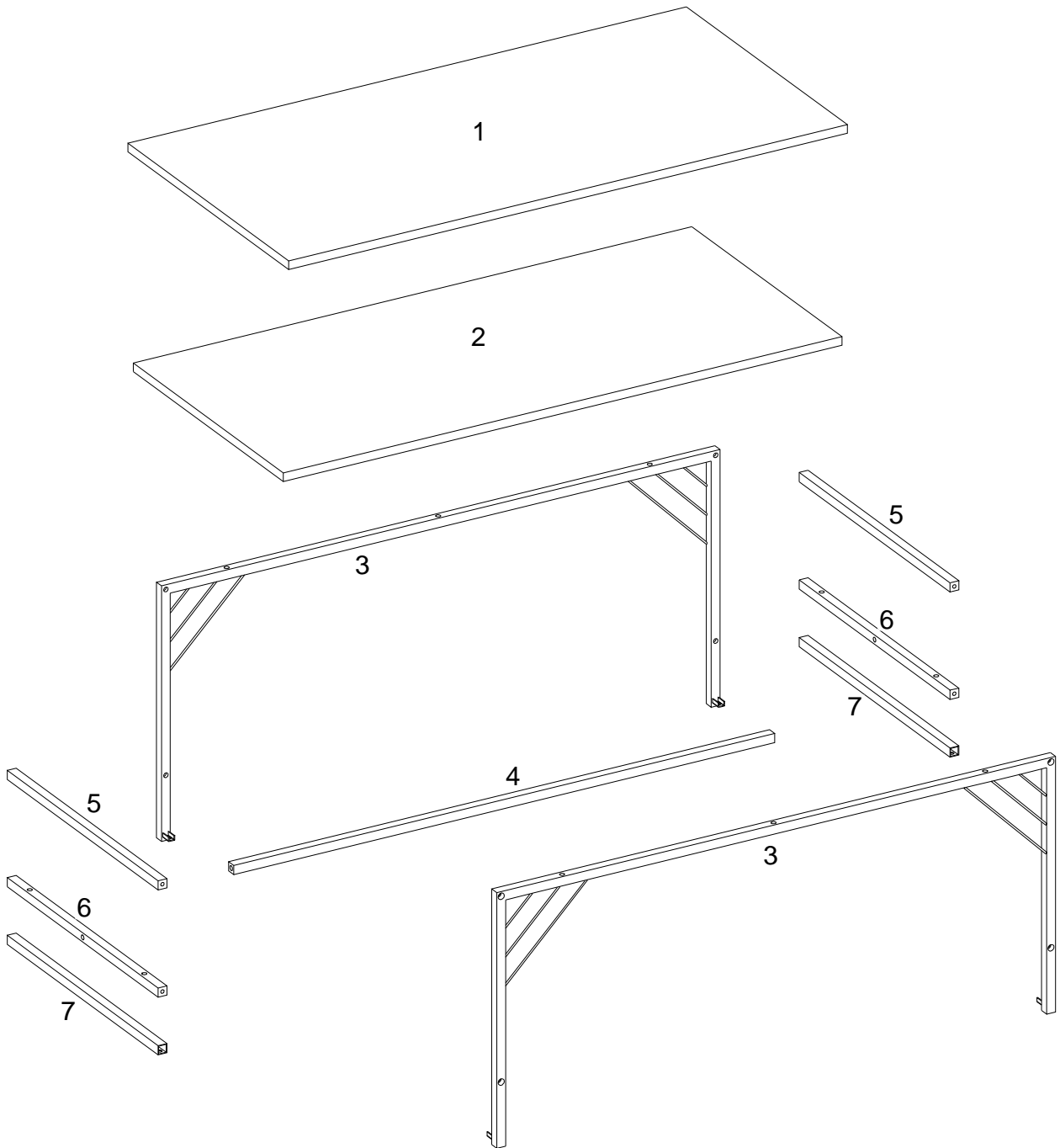
General Assembly Guidelines

- I. Ensure that all parts and hardware are available before beginning assembly.
- II. Follow each step carefully to ensure the proper assembly of this product.
- III. Two people are recommended for ease in the assembly of this product.
- IV. The main type of hardware used to assemble this product are: bolts and screws.
- V. Power tools should not be used to assemble this product.

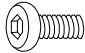

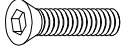



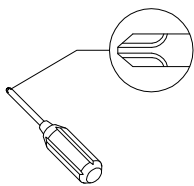
- VI. Drill may be needed for securing product to wall.

Parts List



Hardware List

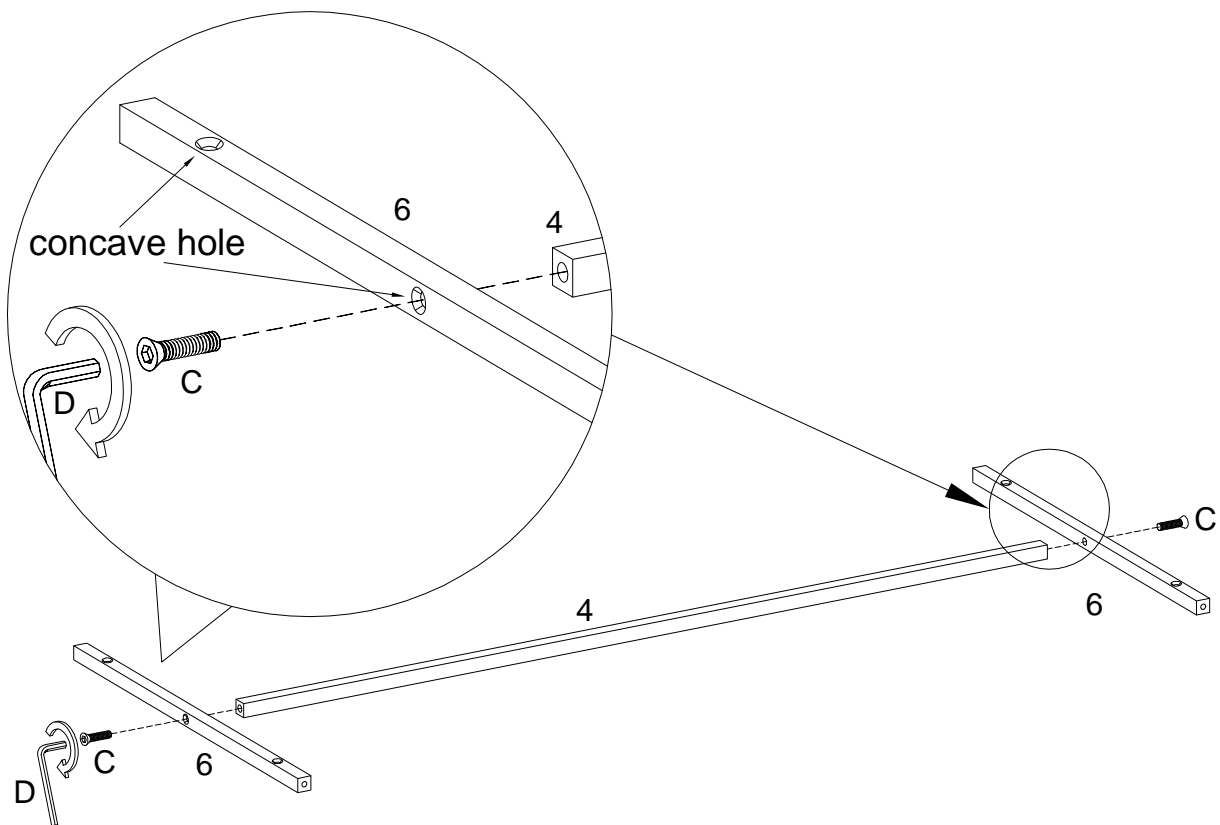
A		M6*12mm	Bolt	4 pcs
B		M6*30mm	Bolt	8 pcs
C		M6*25mm	Bolt	12 pcs
D		M4	Hex key	1 pc



Philips head screwdriver required for assembly
(not included)

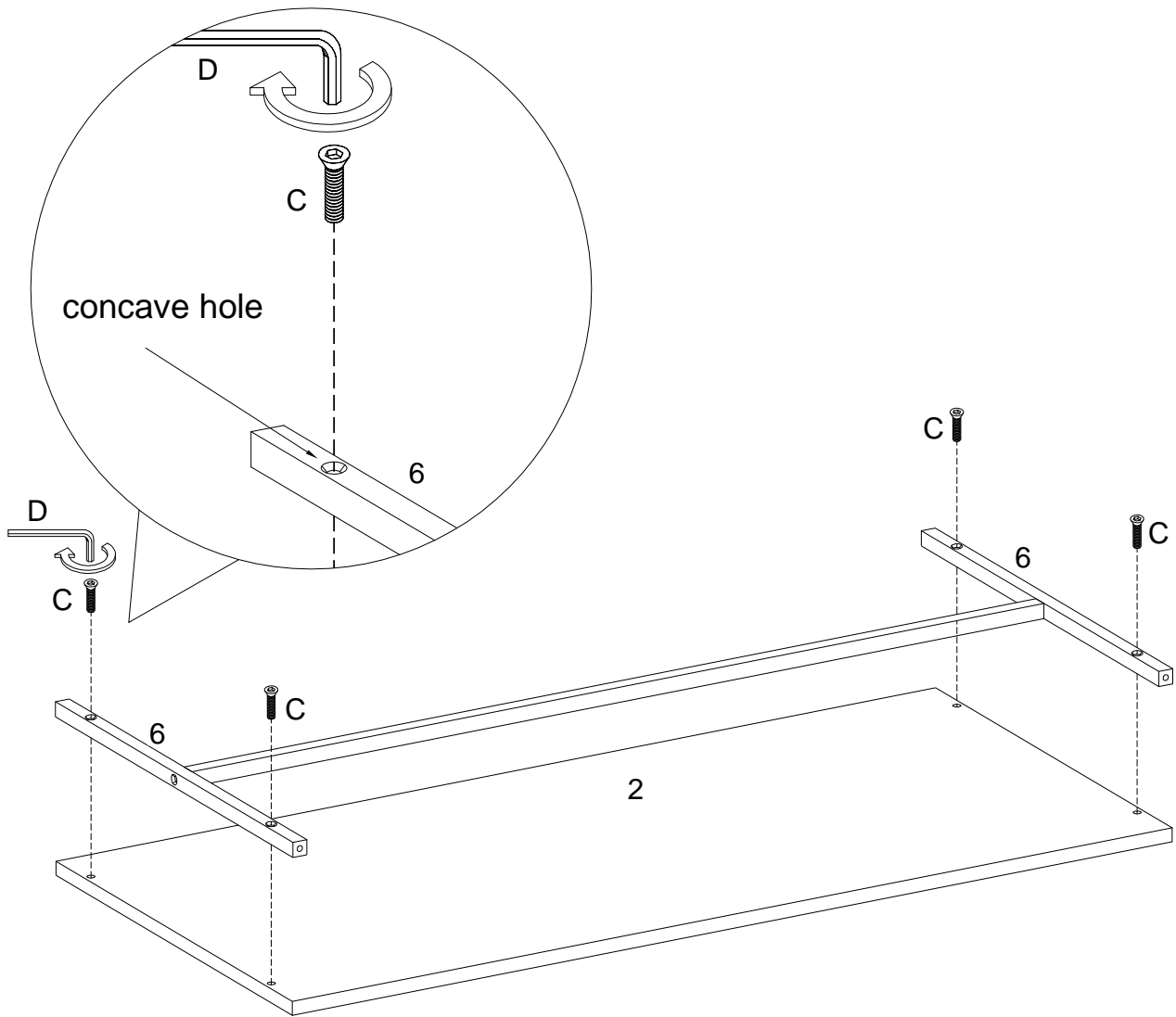
*The hardware quantities listed above are required for proper assembly.
Some extra hardware may also have been included.*

Step 1



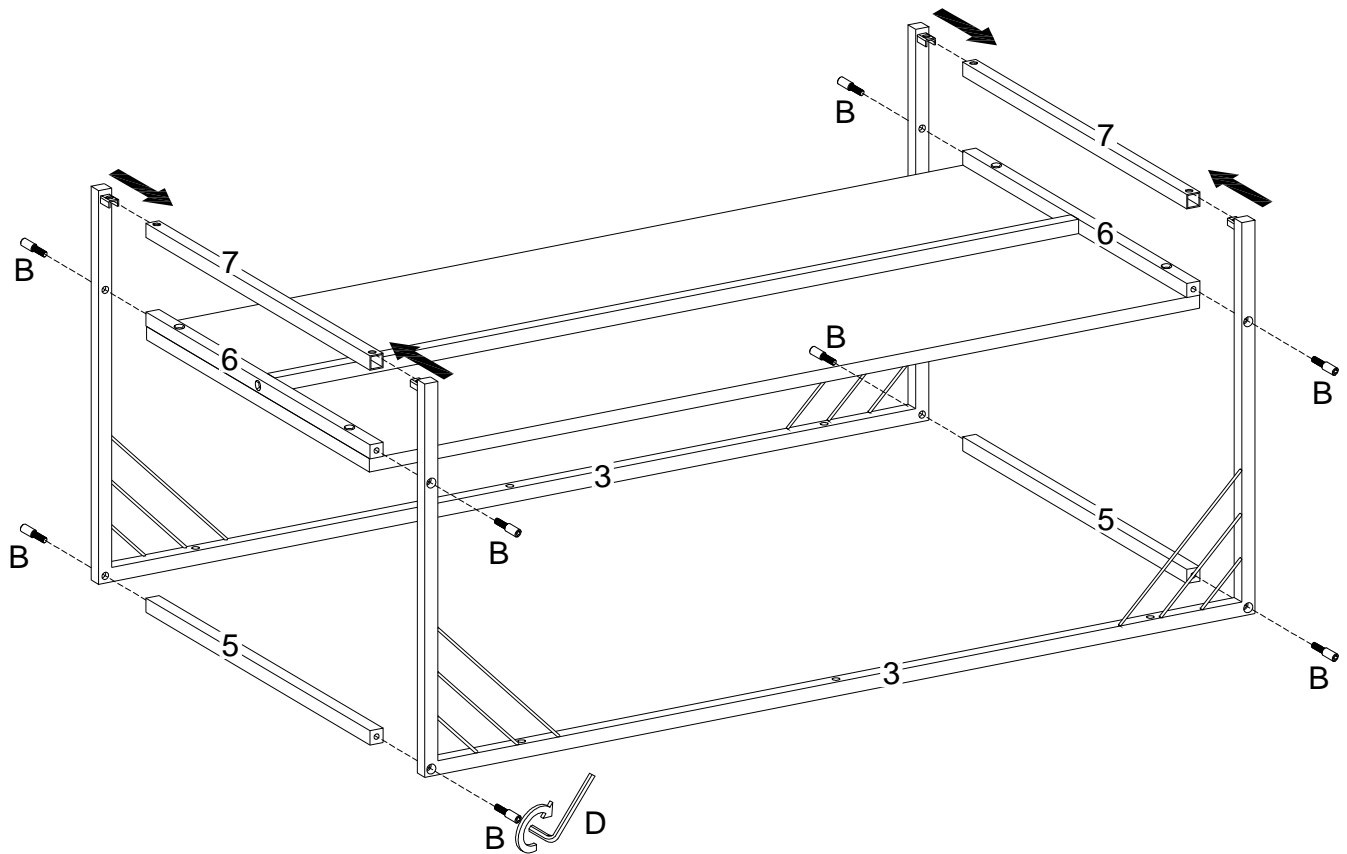
Using bolts (C) secure parts (6) into part (4) with hex key (D) as per diagram.
Note: When assembling, pay attention to the direction of the concave hole.

Step 2



Using bolts (C) secure part (6) into part (2) with hex key (D) as per diagram.
Note: When assembling, pay attention to the direction of the concave hole.

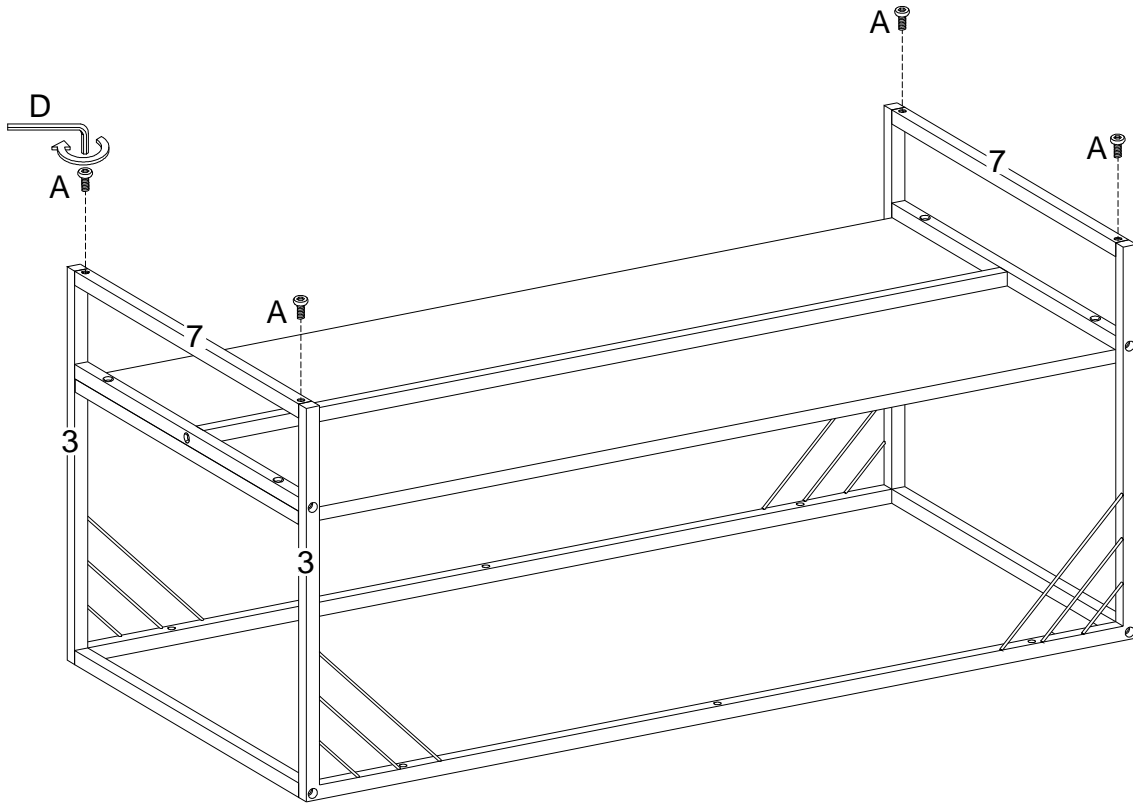
Step 3



Put part (3) connect part (7) as per diagram. Then using bolts (B) secure part (3) into parts (5,6) with hex key (D)

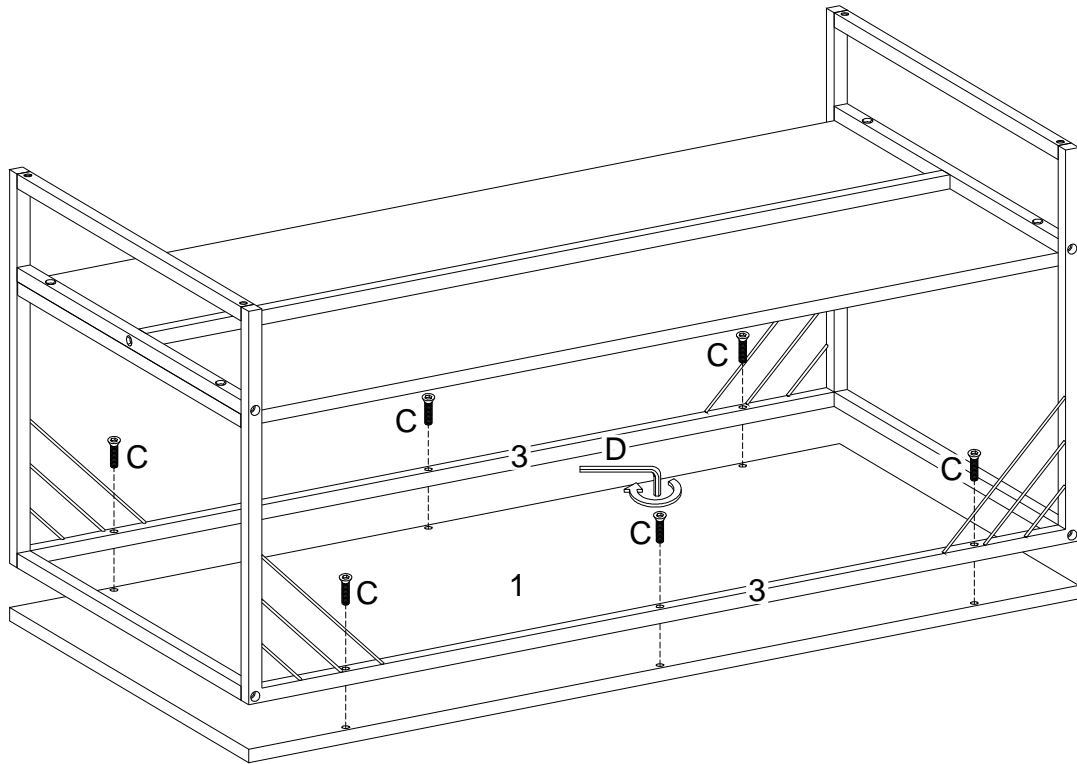
At this step, Do not fully tighten, Otherwise it might be hard to finish the following steps.

Step 4



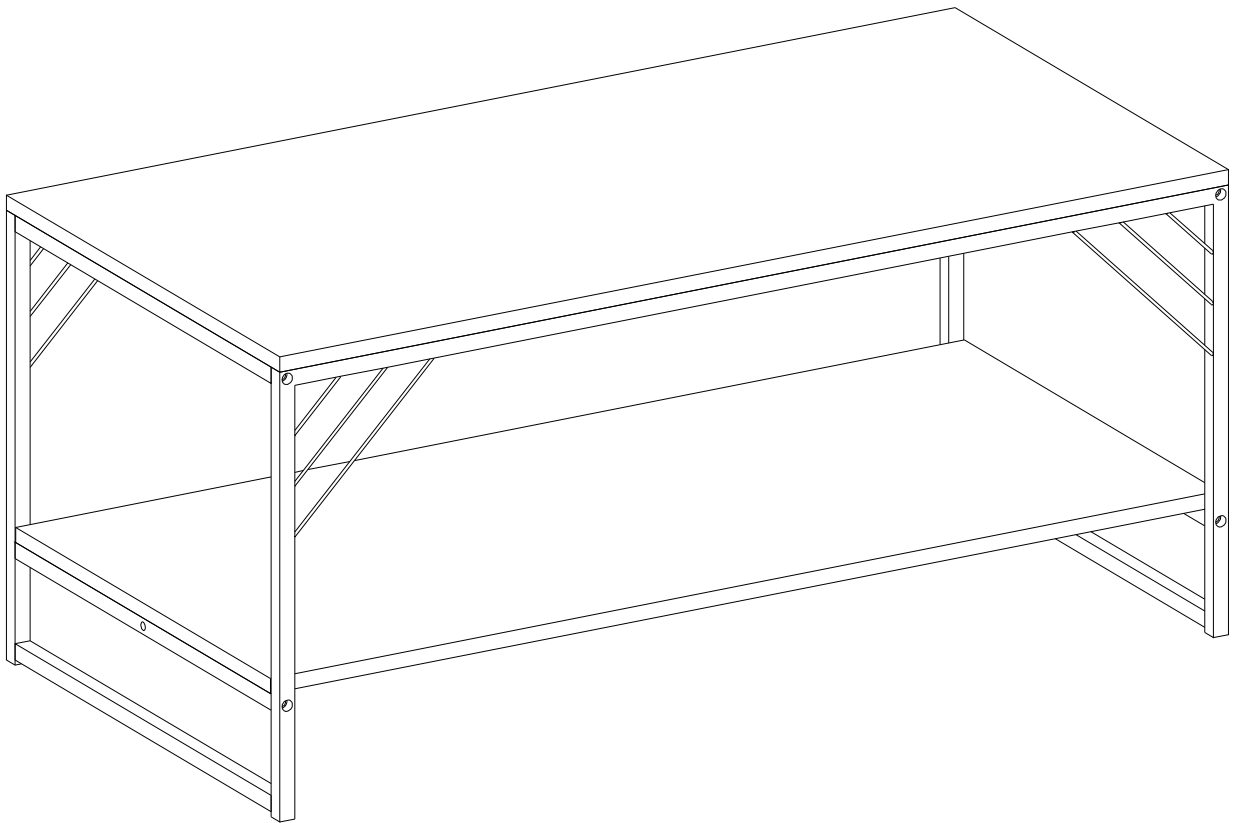
Using bolt (A) secure part (7) and part (3) with hex key (D) as per diagram.

Step 5



Using bolt (C) secure part (3) to part (1) with hex key (D) as per diagram.

Step 6



Final Assembly