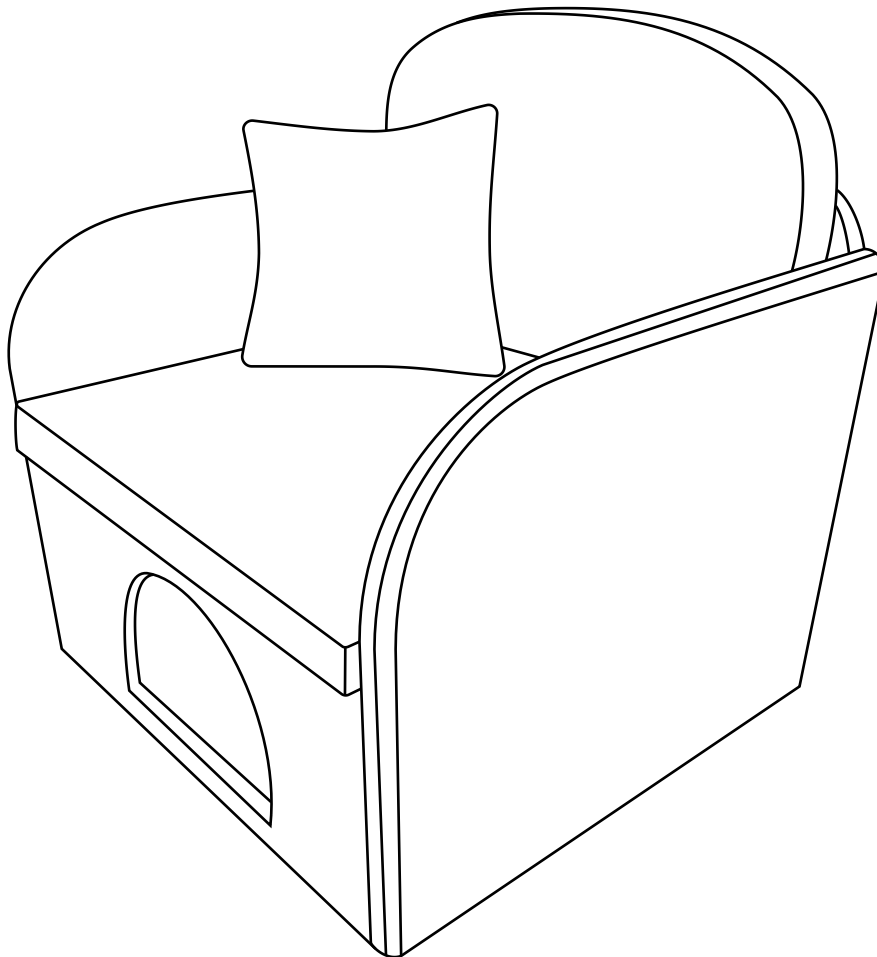
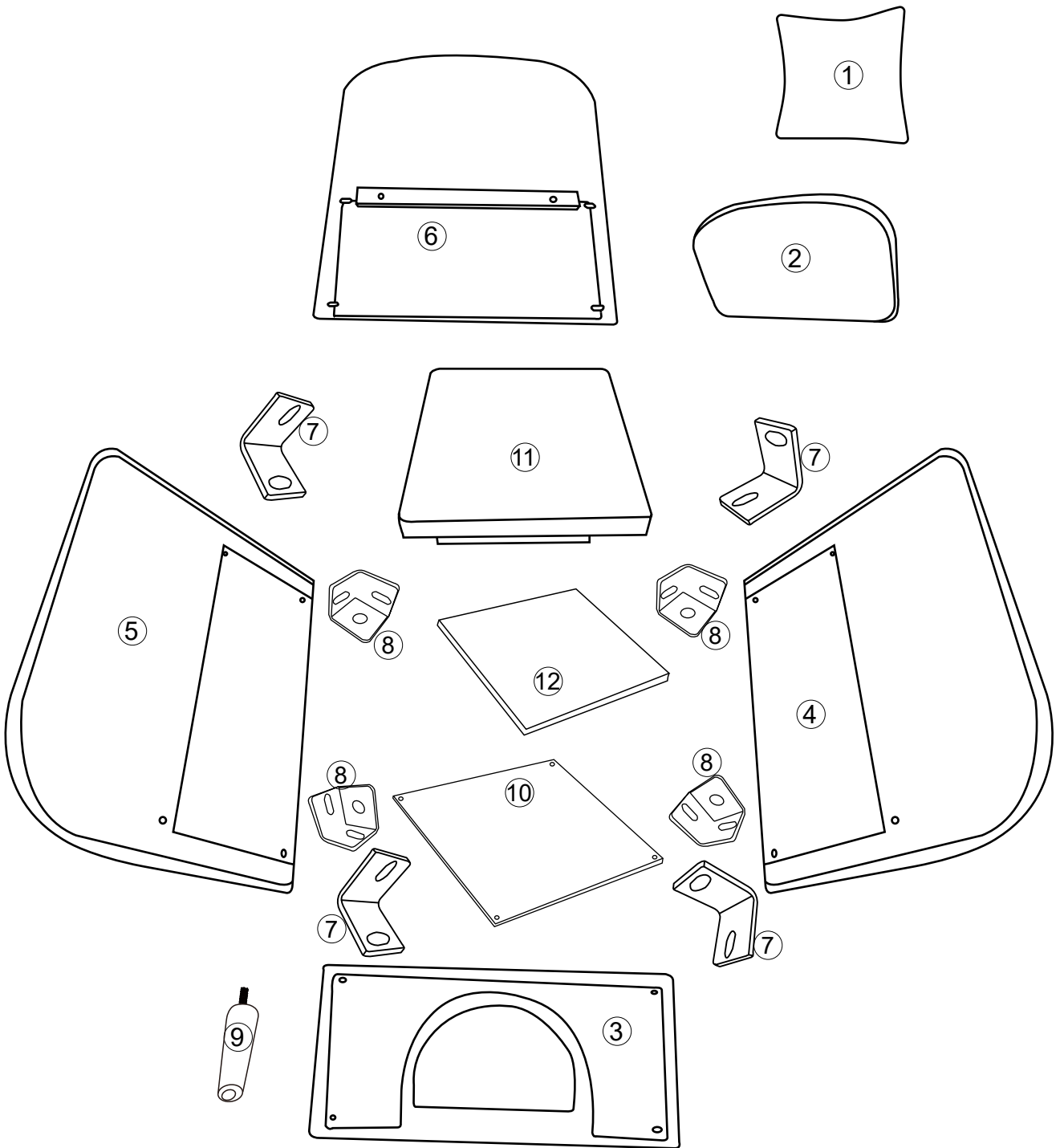


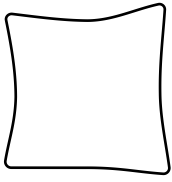
# Assembly instruction

N843P331158C

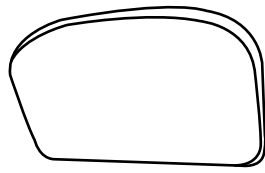




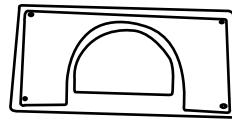
# Parts List



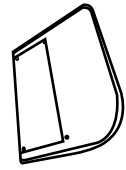
① x 1



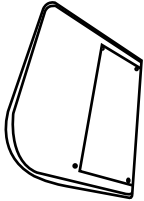
② x 1



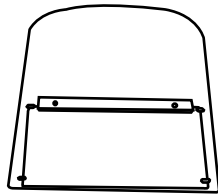
③ x 1



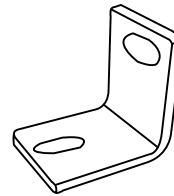
④ x 1



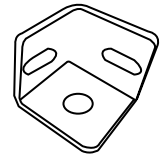
⑤ x 1



⑥ x 1



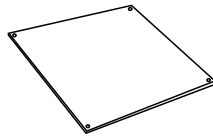
⑦ x 4



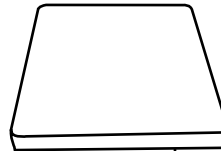
⑧ x 4



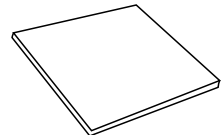
⑨ x 4



⑩ x 1



⑪ x 1



⑫ x 1

# Hardware

**A x 16**



M 6\*25mm

**B x 1**

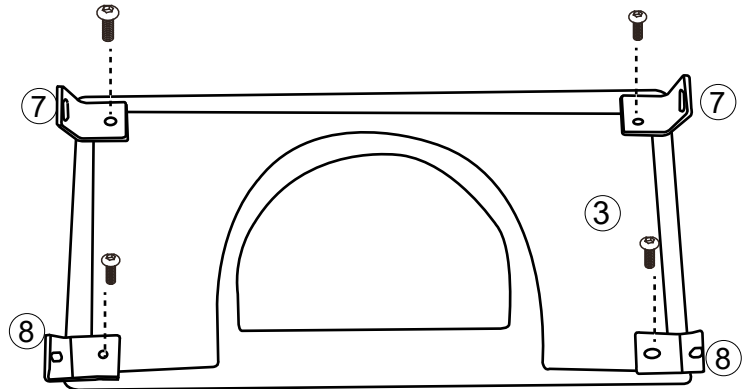
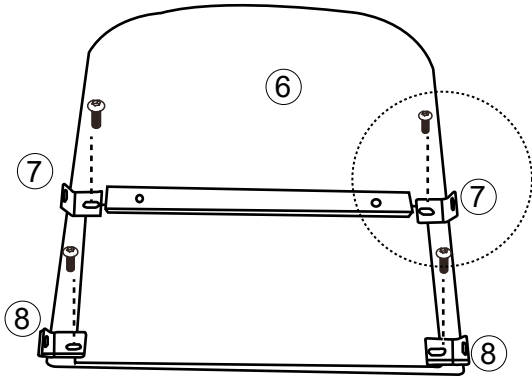


# STEP1

**A x 8**



**B x 1**

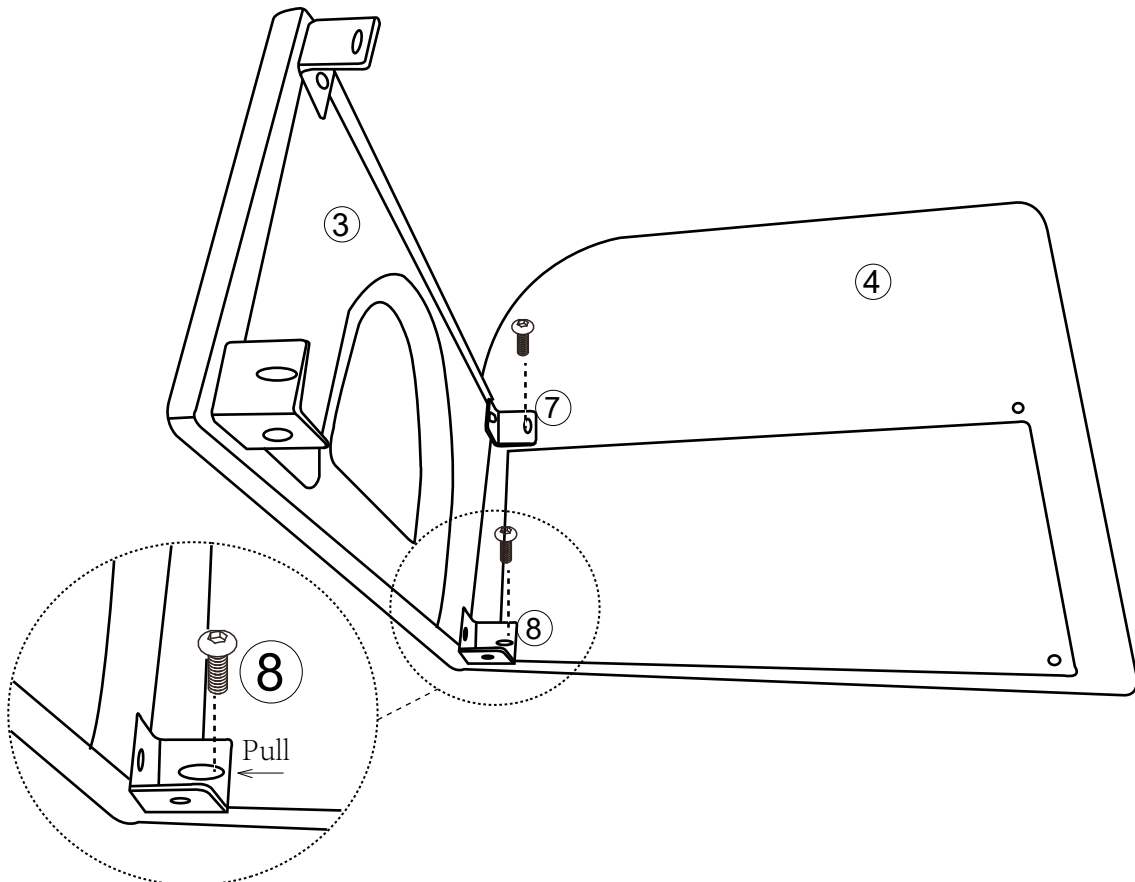


# STEP2

**A x 2**



**B x 1**

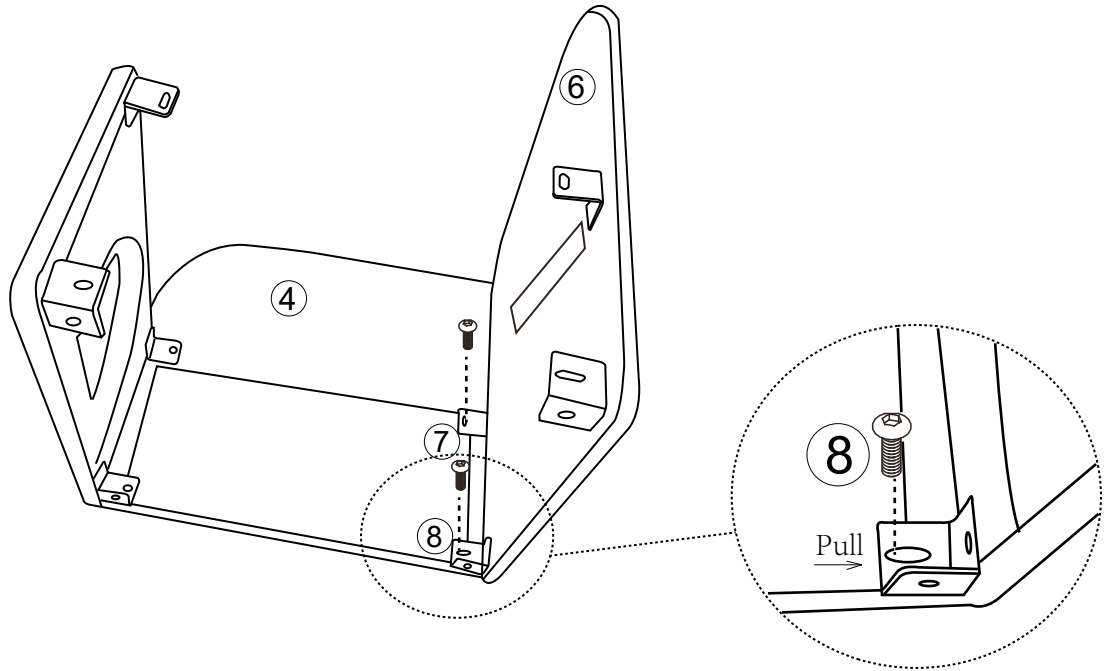


# STEP3

A x 2



B x 1

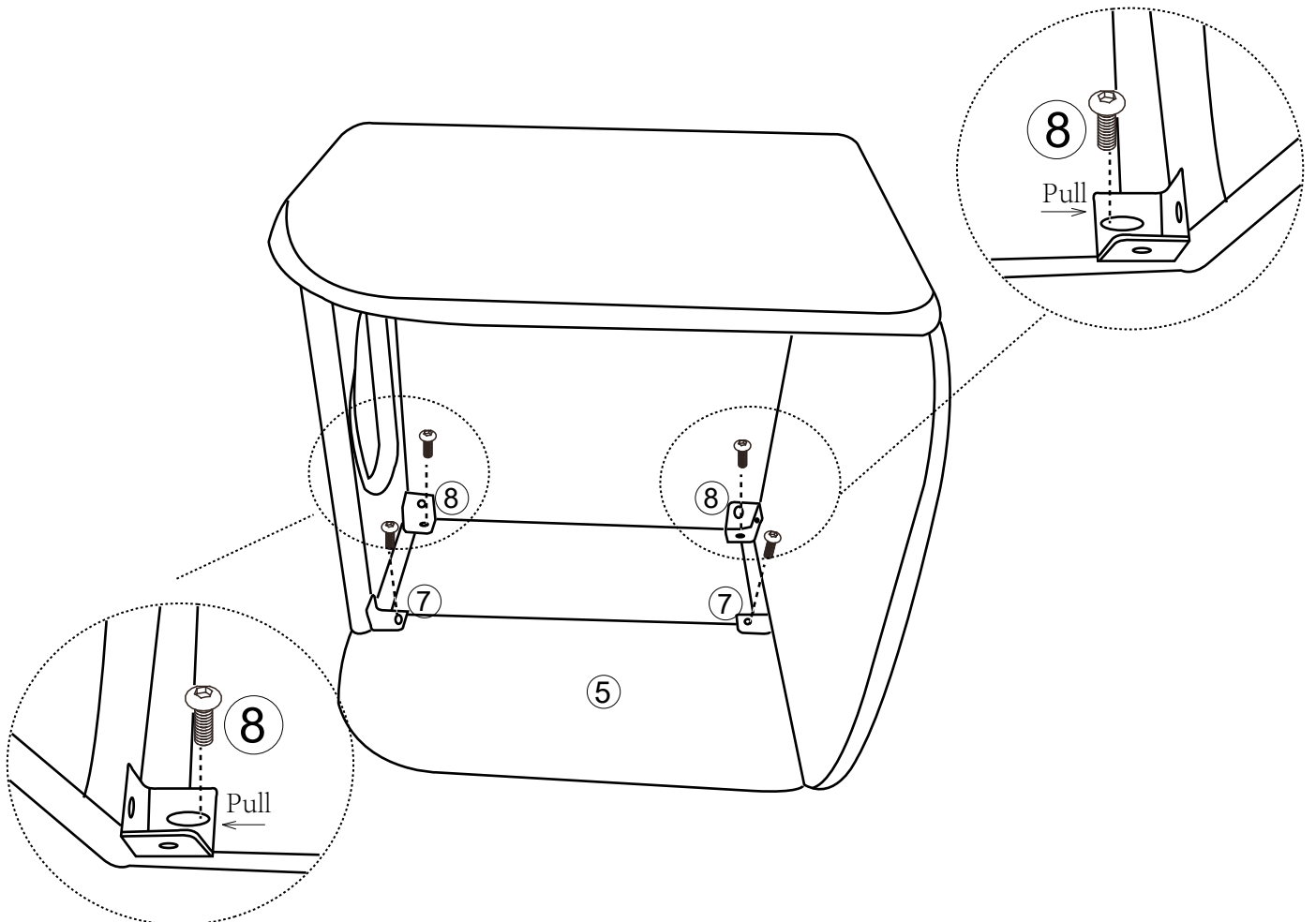


# STEP4

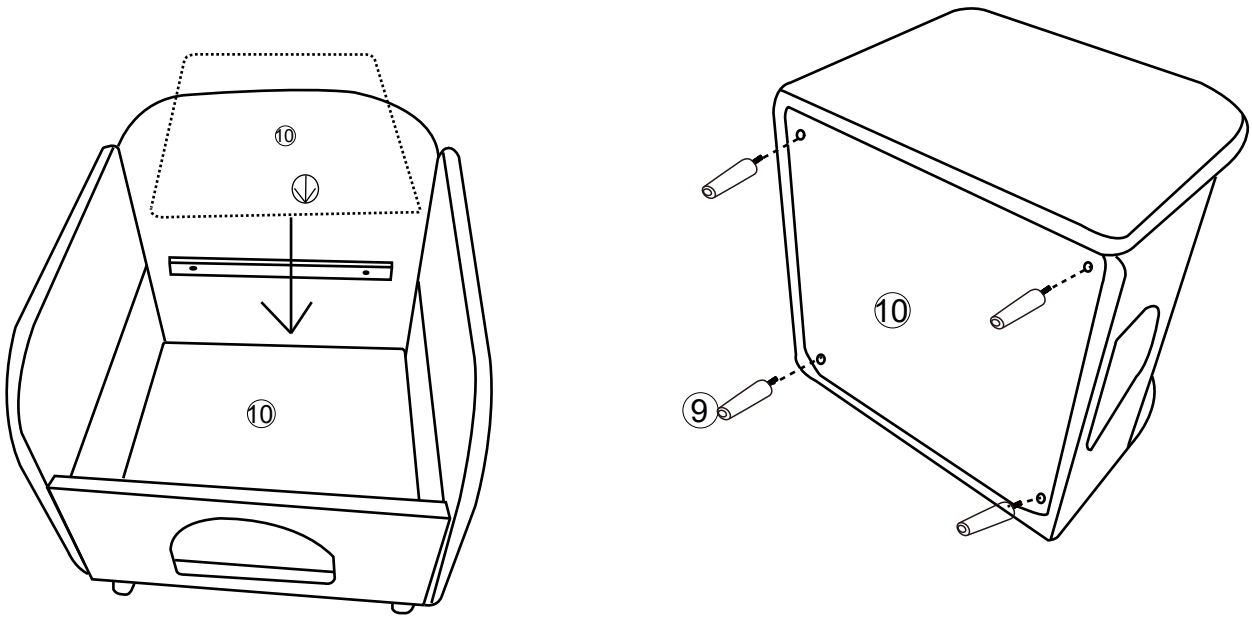
A x 4



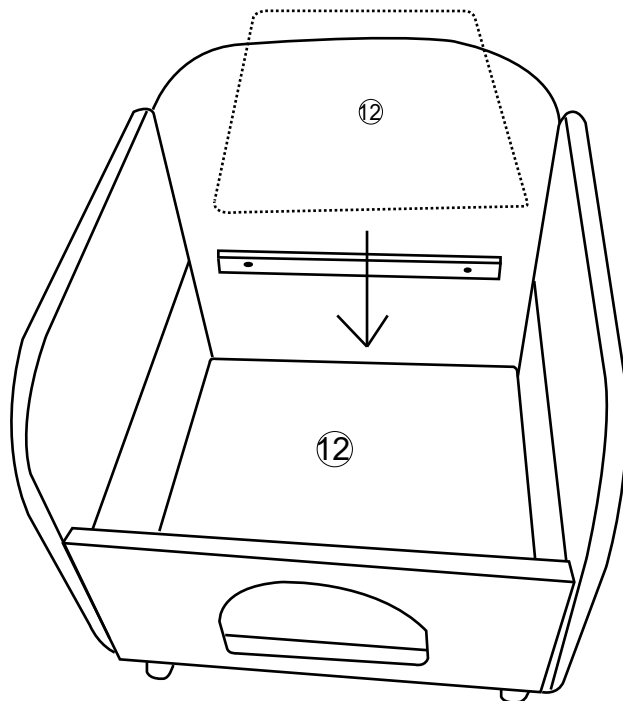
B x 1



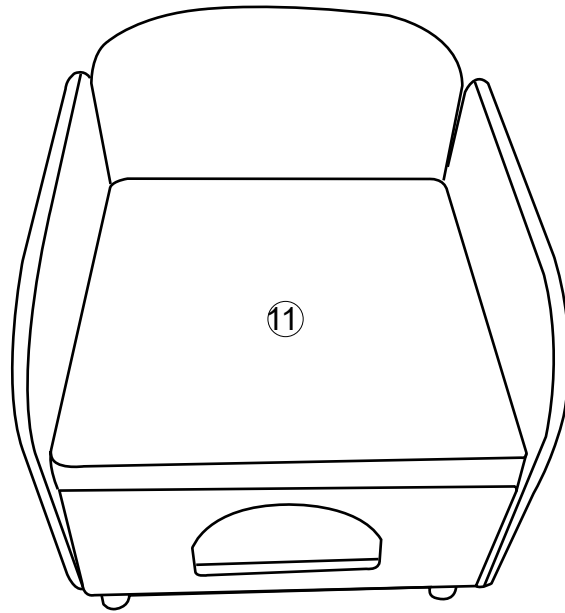
# STEP 5



# STEP 6



## STEP 7



## STEP 8

