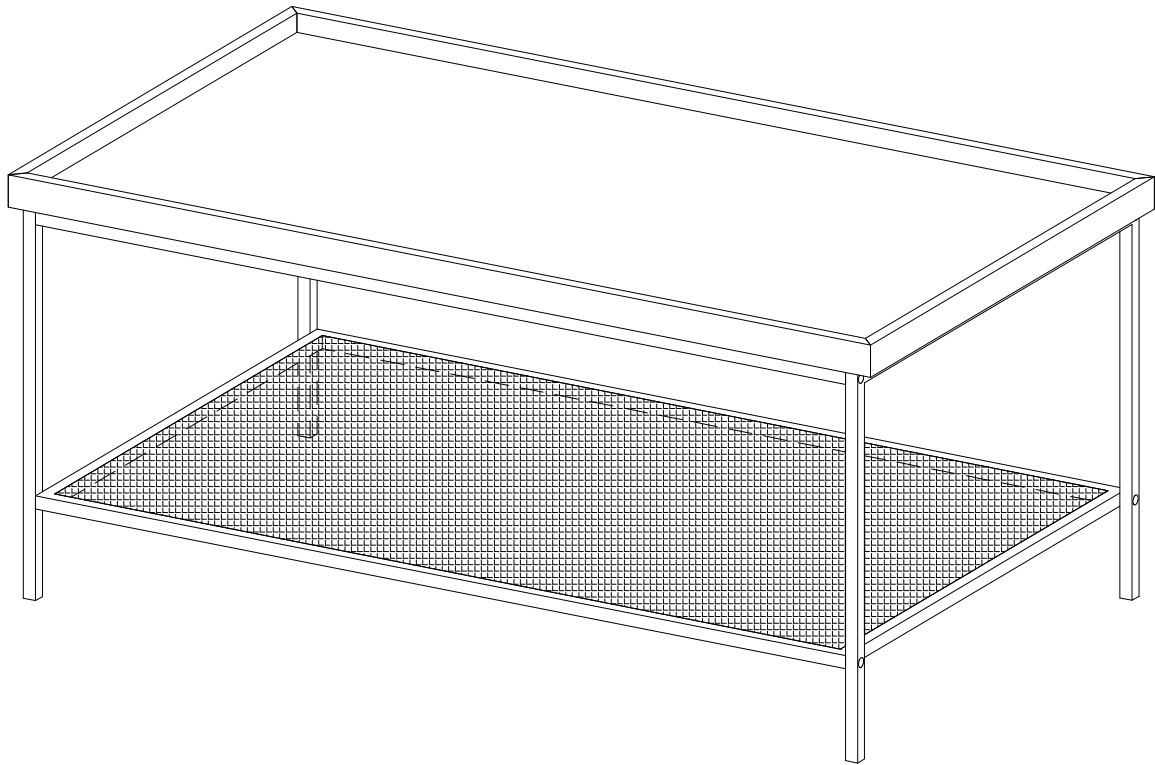


# Item # : AF42EMICT

## Assembly Instructions



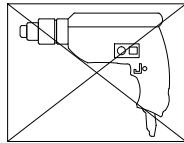
Walker Edison®

Please visit our website for the most current instructions, assembly tips, report damage, or request parts. [www.walkerredison.com](http://www.walkerredison.com)

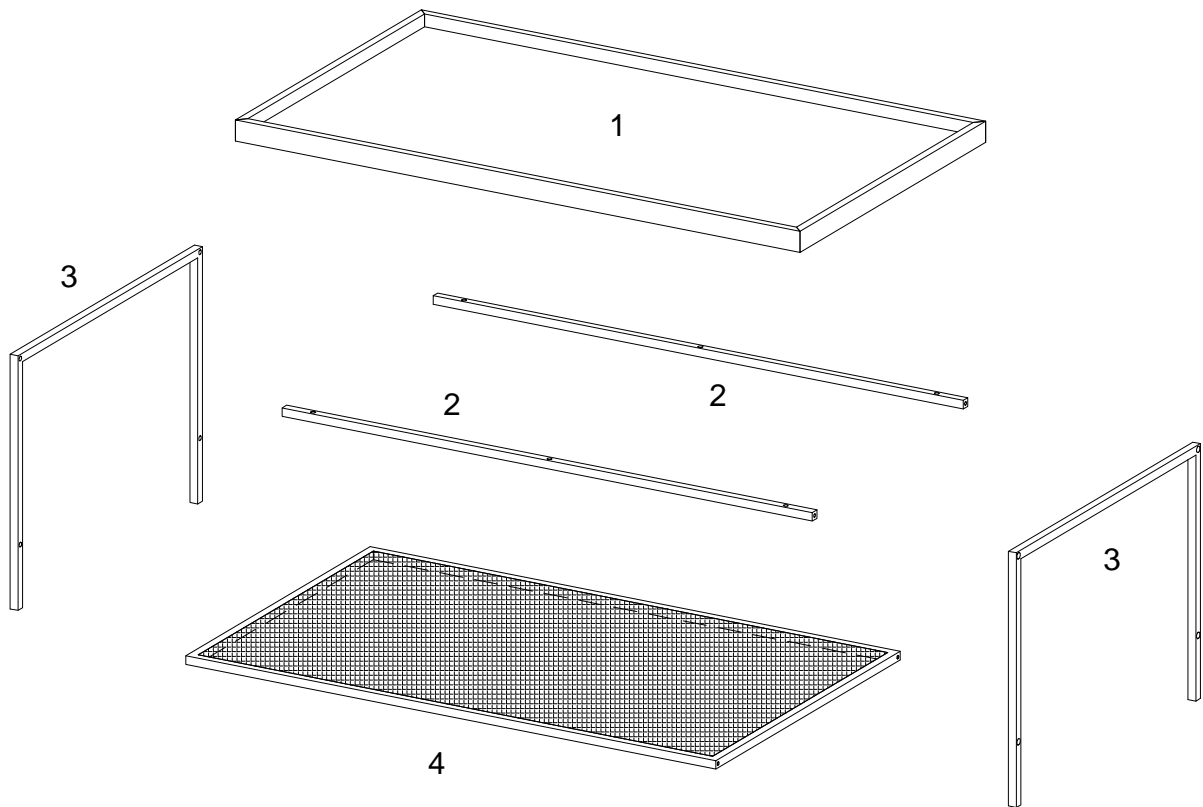
Revised 24/10/2018

# General Assembly Guidelines

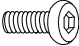
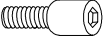

- I. Ensure that all parts and hardware are available before beginning assembly.
- II. Follow each step carefully to ensure the proper assembly of this product.
- III. Two people are recommended for ease in the assembly of this product.
- IV. The main type of hardware used to assemble this product is:bolts.
- V. Power tools should not be used to assemble this product.



# Parts List

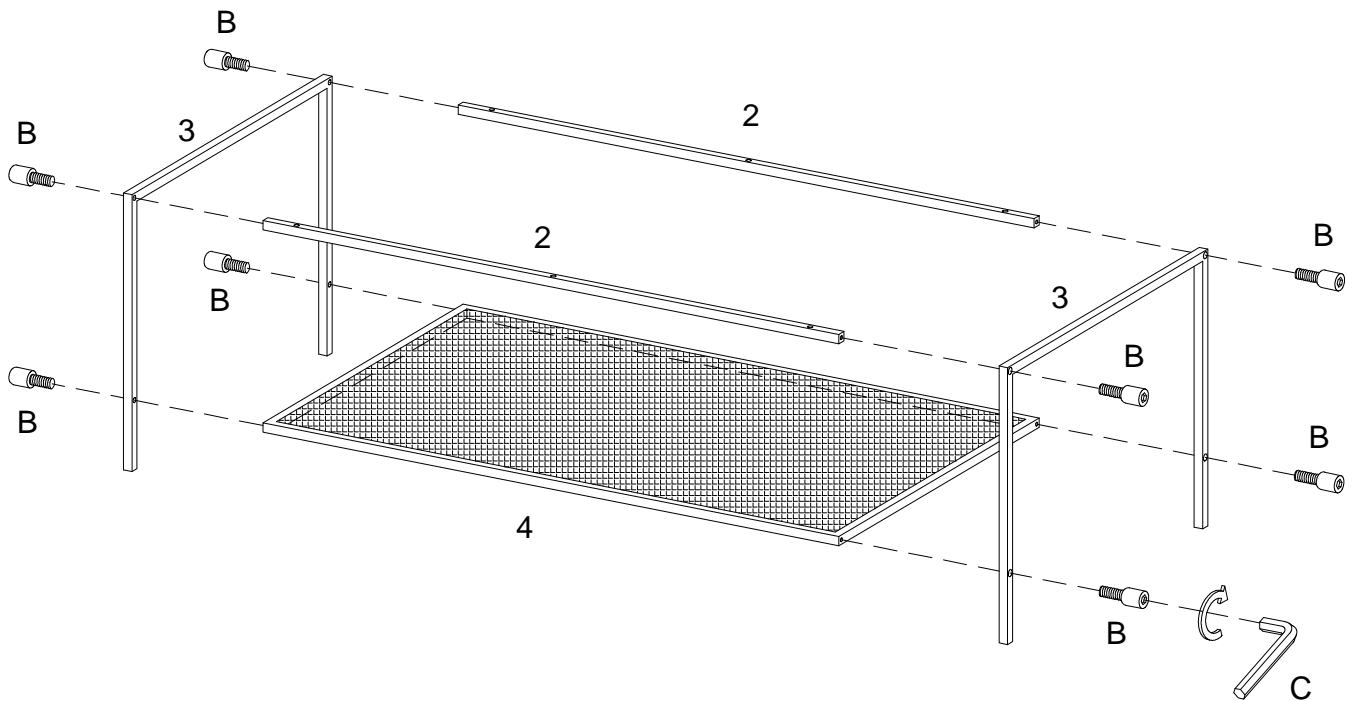


# Hardware List

A		Ø6x25mm	Bolt	6 pcs
B		Ø6x30mm	Bolt	8 pcs
C		M 4	Hex Key	1 pcs

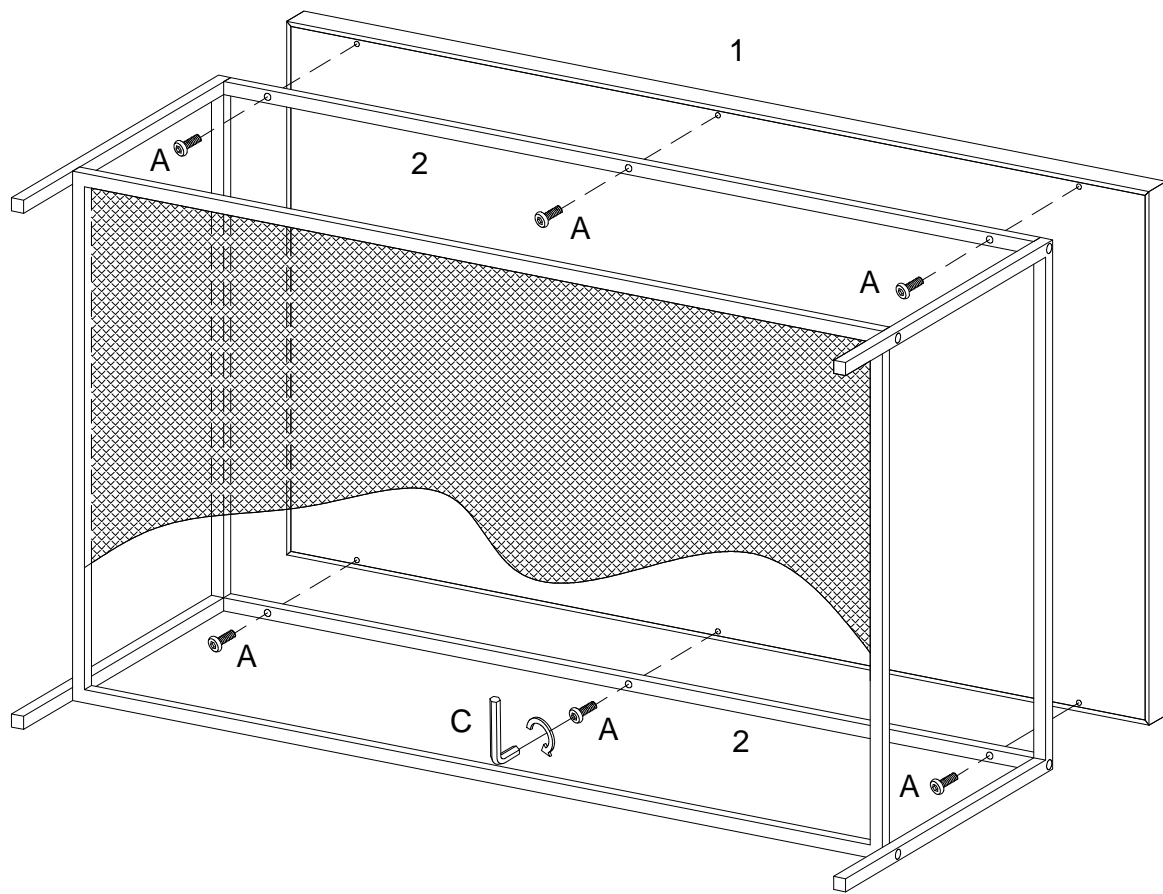
*The hardware quantities listed above are required for proper assembly.  
Some extra hardware may also have been included.*

# Step 1



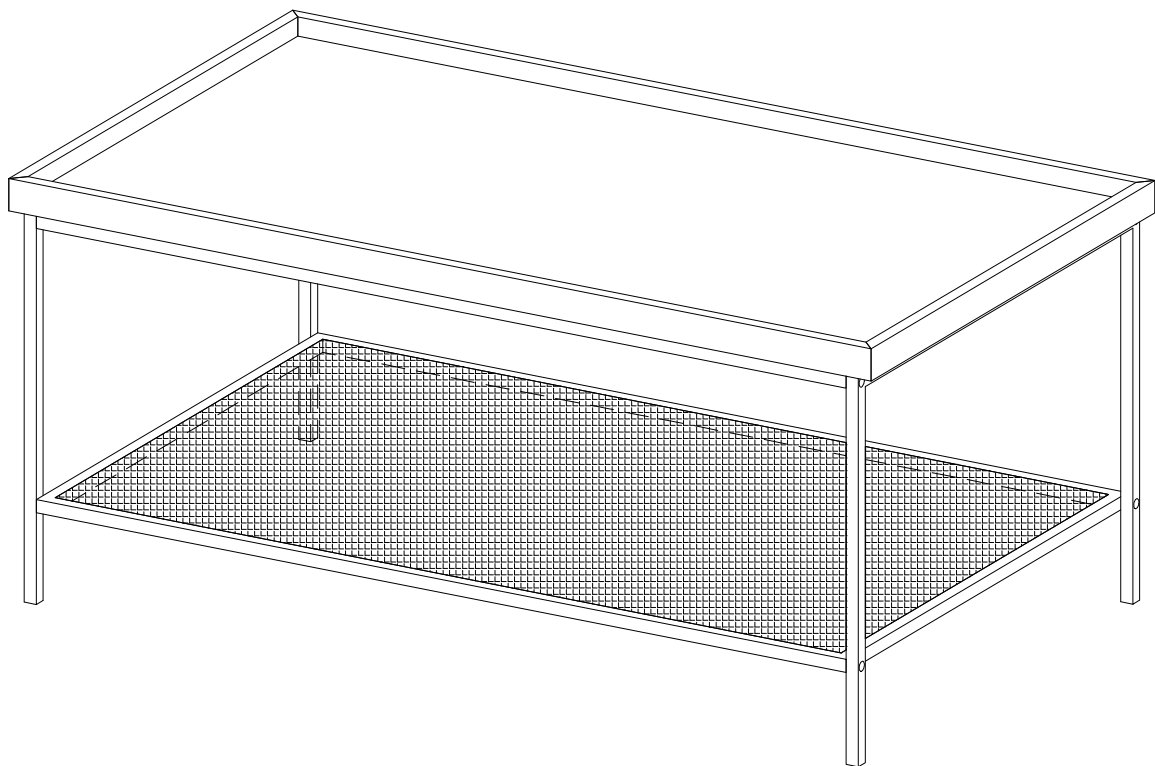
Attach part (3) to part (2, 4) using bolt (B) with hex key (C).

## Step 2



Attach part (2) to part (1) using bolt (A) with hex key (C).

## Step 3



## Final Assembly