

# GFD14ESSNWW

## GE® 4.3 Cu.Ft. Capacity Electric Dryer

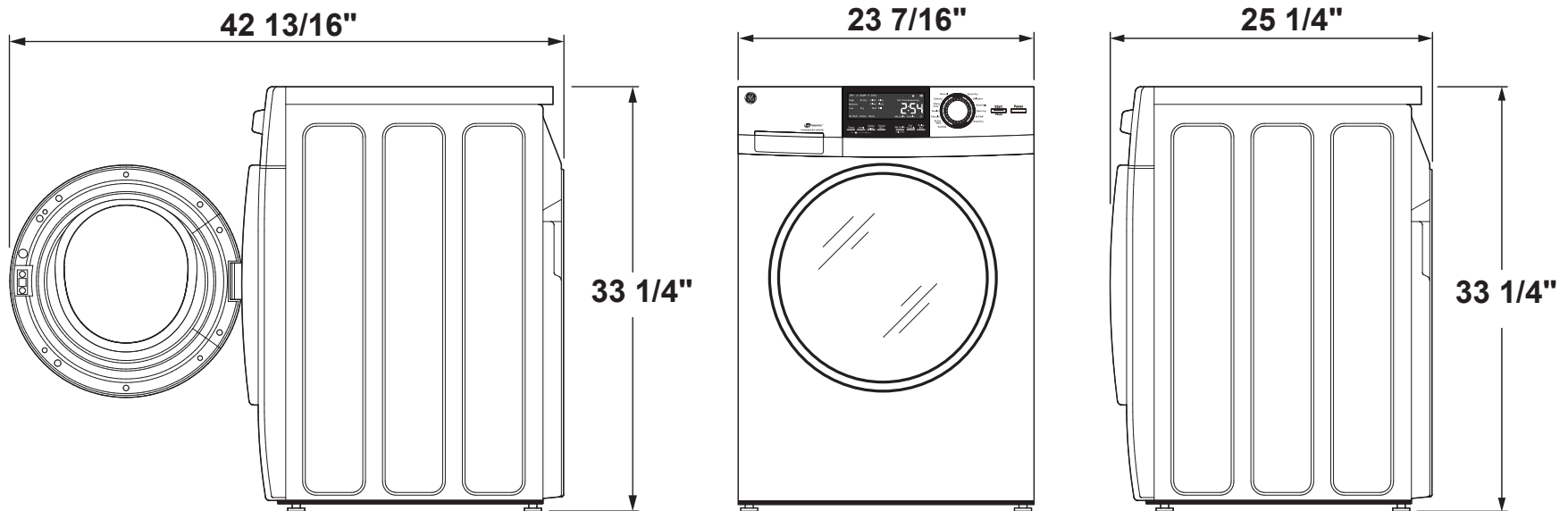
### DIMENSIONS AND INSTALLATION INFORMATION (IN INCHES)

ELECTRIC DRYER RATING	
240V	2800W, 12A, 60Hz

**CIRCUIT REQUIREMENTS:** An individual, properly grounded branch circuit, protected by a 30-amp circuit breaker or a time-delay fuse, is required.

**NOTE:** Dryer wall outlet must be located within 36" of service cord entry and accessible when dryer is mounted in position.

**INSTALLATION INFORMATION:** For complete information, see installation instructions packed with your dryer.



For answers to your Monogram, GE Café™ Series, GE Profile™ Series or GE Appliances product questions, visit our website at [geappliances.com](http://geappliances.com) or call GE Answer Center® Service, 800.626.2000.



Specification Created 1/19

# GFD14ESSNWW

## GE® 4.3 Cu.Ft. Capacity Electric Dryer

### SPECIAL INSTALLATION REQUIREMENTS:

#### ALCOVE OR CLOSET INSTALLATION:

Stacking Kit - GFA24KITL (not included)

If your dryer is approved for installation in an alcove or closet, it will be stated on a label on the dryer back.

Minimum clearances between dryer cabinet and adjacent walls or other surfaces are: 1" left and right sides, 1" top, 3" front and rear.

Minimum clearances between washer cabinet and adjacent walls or other surfaces are: 1" left and right sides, 1" top, 1" front and rear.

Closet doors must be louvered or otherwise ventilated and must contain a minimum of 60 sq. in. of open area equally distributed. If this closet contains both a washer and a dryer, doors must contain a minimum of 120 sq. in. of open area equally distributed.

No other fuel-burning appliance shall be installed in the same closet with a gas dryer.

#### BATHROOM OR BEDROOM INSTALLATION:

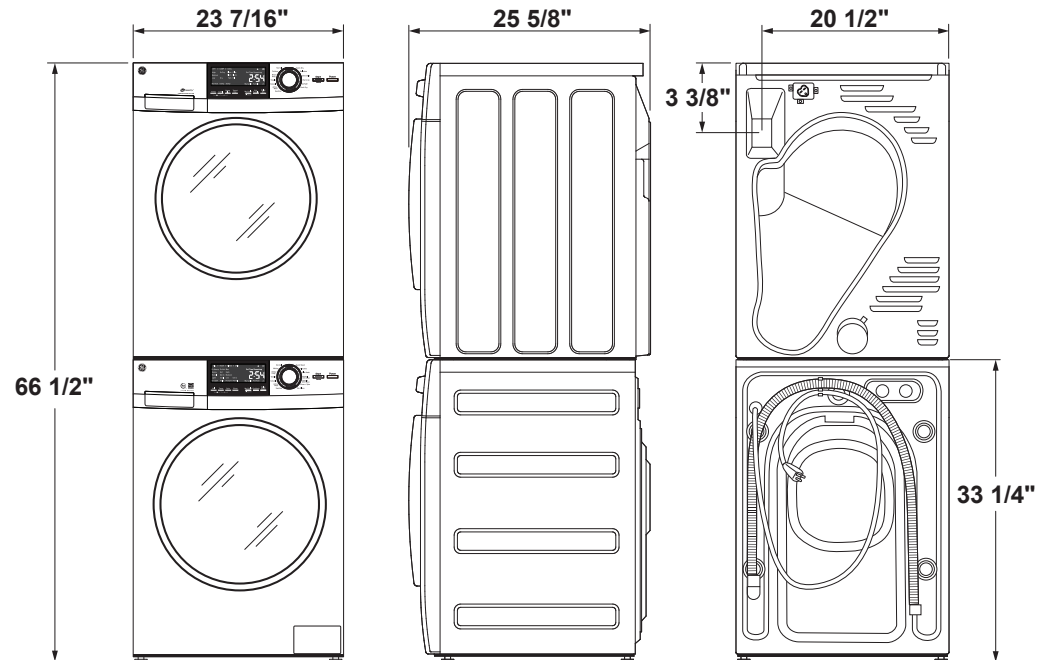
The installation must conform with the local codes, or in the absence of local codes, with the National Electric Code and National Fuel Gas Code, ANSI Z223 for gas dryers.

#### MINIMUM CLEARANCE OTHER THAN ALCOVE OR CLOSET INSTALLATIONS:

Minimum clearances to combustible surfaces 0" both sides, 3" rear.

**FOR MORE INFORMATION ON VENTING KITS AND ACCESSORIES,  
PLEASE CALL 1-800-GE-CARES.**

### STACKED DIMENSIONS (IN INCHES)



For answers to your Monogram, GE Café™ Series, GE Profile™ Series or GE Appliances product questions, visit our website at [geappliances.com](http://geappliances.com) or call GE Answer Center® Service, 800.626.2000.



Specification Created 1/19

# GFD14ESSNWW

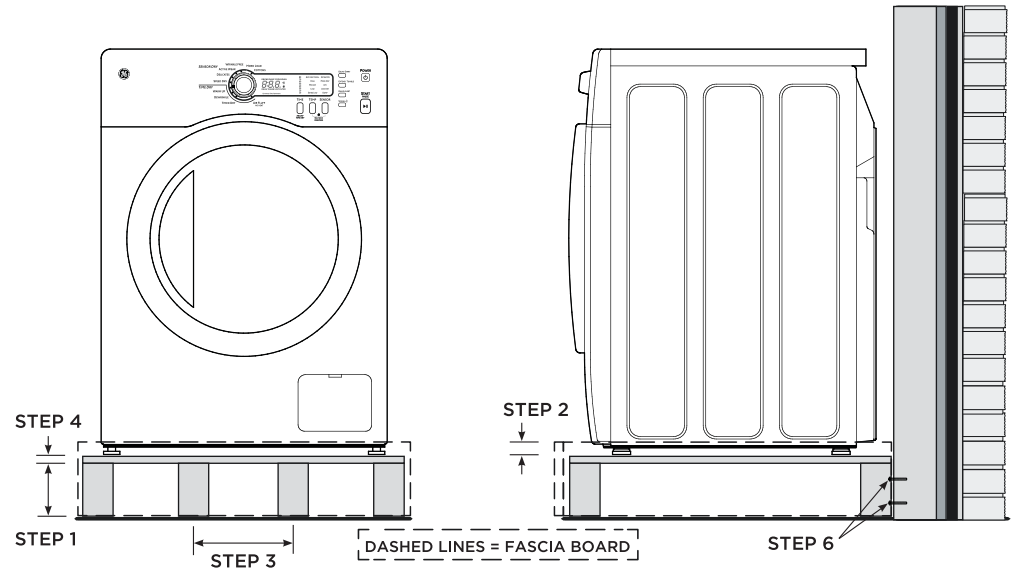
## GE® 4.3 Cu.Ft. Capacity Electric Dryer

### INSTALLATION INFORMATION

#### PLATFORM REQUIREMENTS TO MEET THE GUIDELINES FOR THE AMERICANS WITH DISABILITIES ACT (ADA)

#### FABRICATE A WOODEN PLATFORM FOLLOWING THESE REQUIRED INSTRUCTIONS FOR ADA COMPLIANCE:

1. The platform must raise the appliance at least 3", but not more than 7".
2. A hardwood fascia board that is 1" thick is required on any open side of the platform. The fascia board must have a lip height of 1" above the top to allow the consumer to open the front clean-out panel. Each fascia board must be attached with minimum of six 1/4" - 20 x 4" bolts with fender washers and locknuts on the backside.
3. The suggested maximum distance between lateral supports is 10".
4. Plywood top must be 3/4" thick.
5. The platform length can be dimensioned to fit one or multiple front loading compact laundry units.
6. The platform must be firmly secured, at least at two points, to an adjacent wall.
7. Place the front loading compact laundry unit(s) on the completed platform.
8. The front of any front loading compact laundry unit must be less than 10" from the front of the platform including the fascia board.
9. Follow the Installation Instructions shipped with your washer and/or dryer to complete the installation.



Front loading compact washer shown mounted on the wooden platform which is secured to adjacent wall

**QUESTIONS? CALL 800.GE.CARES (800.432.2737)  
OR VISIT OUR WEB SITE AT: GEAPPLIANCES.COM**



For answers to your Monogram, GE Café™ Series, GE Profile™ Series or GE Appliances product questions, visit our website at [geappliances.com](http://geappliances.com) or call GE Answer Center® Service, 800.626.2000.

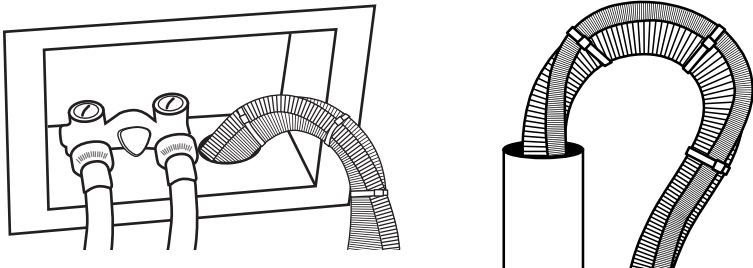


# GFD14ESSNWW

## GE® 4.3 Cu.Ft. Capacity Electric Dryer

### DRAINING WATER OUT OF THE DRYER

- Two options are available to drain the water out.
  - Pump to a removeable water tank in the dryer.
  - Drain directly out of unit into a standpipe or washstand through the included drain hose.
- The dryer drain hose and wire ties are included.
- You must have a standpipe available to drain into.
- Your standpipe or washstand should be 36-58" off the ground or platform to accommodate both washer and dryer drains in all configurations.
- The dryer drain hose can drain alongside the washer hose. Do not push either drain hose into the standpipe any further than 4 inches. Pushing the drain hose further in the standpipe can cause leaking.
- For complete information, see the installation instructions packed with your dryer.



# GFD14ESSNWW

## GE® 4.3 Cu.Ft. Capacity Electric Dryer

### FEATURES AND BENEFITS

**HE Sensor Dry** – Keep your clothes looking and feeling their best. Dual thermistors continually monitor temperature with a sensor bar that measures moisture to prevent over-drying

**14 Dry Cycles** – Delivers optimal drying results with a customized cycle for every load

**WiFi Capable** – Monitor performance and checks cycle status using your mobile device. \*Required ConnectPlus accessory part number PVX10W00Y0 sold separately.

**Outlet for Washer** – Provides an outlet for the washer for easy and flexible installation

**My Cycle Settings** – Dry clothes with the settings you prefer on any cycle, rather than the defaults, and store your settings for later use

**ENERGY STAR® qualified** – Meets or exceeds federal guidelines for energy efficiency for year-round energy and money savings

**Delay start** – Lets you do the laundry on your terms

**Sanitize Cycle** – Testing done by NSF shows that the Sanitize cycle reduces 96.7% of bacteria

**Extended Tumble** – Tumble clothes without heat to help prevent creasing and wrinkling

**Quick Dry** – Quickly dries items and small loads for families on the go

**4 temperature selections** – Pick the drying temperature you prefer for enhanced drying performance and fabric care

**Cycle countdown display with LED indicators** – Know exactly how much time is left for each cycle with bright display and lights

**Stainless steel drum** – Long-lasting, durable stainless steel resists rust and won't chip, peel or snag clothes

**Model GFD14ESSNWW** – White on white

