



PSP Starter Kit

RF-GPSP004

User Guide

Rocketfish RF-GPSP004 PSP Starter Kit

Contents

Introduction	2
Features	3
Connecting the car adapter	5
Specifications.....	7
Legal notices.....	7
90-Day Limited Warranty	9

Introduction

Congratulations on your purchase of the Rocketfish RF-GSPS004 PSP Starter Kit. This kit represents the state of the art in PSP protection and portability and is designed for reliable and trouble-free performance.

Safety

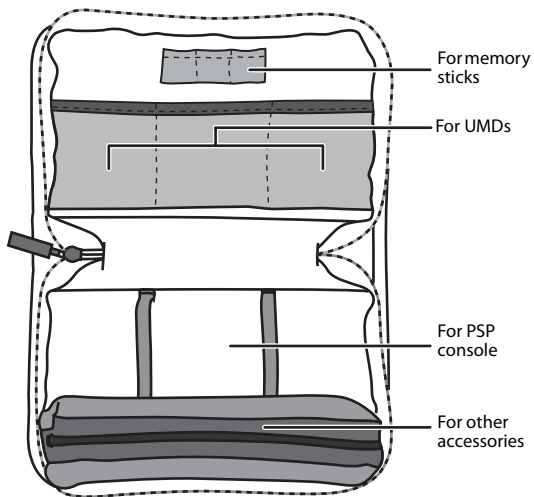
- Do not leave or store the included car adapter and earphones in a humid or dusty environment.
- Do not disassemble the car adapter or earphones. This may void your warranty.
- When not in use, make sure the earphones are stored in the earphones case correctly and the car adapter is removed from the cigarette lighter and stored correctly.
- To protect your hearing, do not use the earphones with the volume turned too high.
- Your starter case cannot protect your PSP™ and other accessories from rain or water. Do not expose it to the rain or water.
- To avoid strangulation accidents, keep the USB cable and earphones away from children.

Features

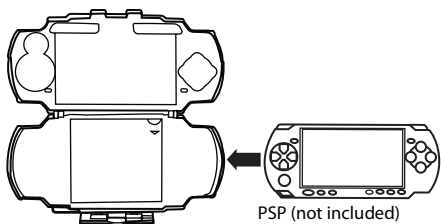
Package contents

- Travel case with storage area for PSP™, UMDs, and other accessories
- Transparent PSP™ protective case
- Car adapter
- Earphones with carrying case
- USB data transfer and charging cable

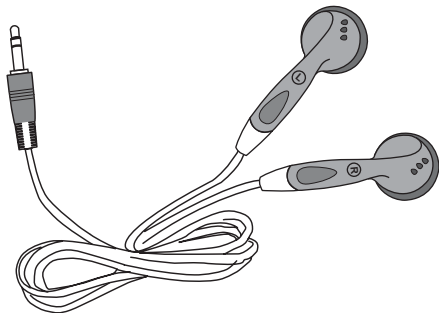
Travel case



PSP case



Earphones

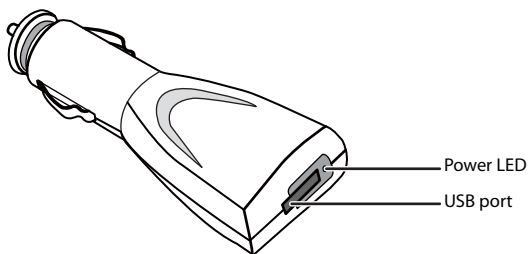


Connecting the car adapter

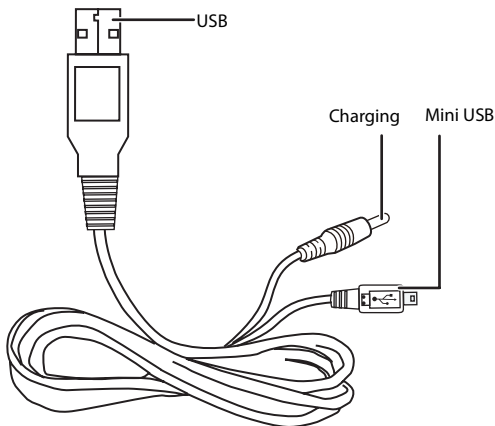
You can recharge your PSP using the included car adapter.

To connect the car adapter:

- 1 Plug the car adapter into the car cigarette lighter. The power LED lights.



- 2 Plug the USB connector on the included USB cable into the USB port on the car adapter.



- 3 Plug the charging connector on the included USB cable into the PSP.

USB charging and data transfer for PSP-2000s

To charge and transfer data for PSP-2000s:

- 1 Plug the USB connector into a USB port on a computer.
- 2 Plug the Mini USB connector into the Mini USB port on the PSP-2000.
- 3 The PSP-2000 will charge through the USB connection. You can also transfer data from the computer to the PSP-2000.

Specifications

The acrylic case is designed to fit the PSP-2000 only.

Legal notices

FCC Part 15

This device complies with Part 15 of the FCC Rules. Operation of this product is subject to the following two conditions: (1) this device may not cause harmful interference, and (2) this device must accept any interference received, including interference that may cause undesired operation.

Canada ICES-003 statement

This Class B digital apparatus complies with Canadian ICES-003.

90-Day Limited Warranty

Rocketfish Products ("Rocketfish") warrants to you, the original purchaser of this new **RF-GPSP004** ("Product"), that the Product shall be free of defects in the original manufacture of the material or workmanship for 90 days from the purchase of the Product ("Warranty Period"). This Product must be purchased from an authorized dealer of Rocketfish brand products and packaged with this warranty statement. This warranty does not cover refurbished Product. If you notify Rocketfish during the Warranty Period of a defect covered by this warranty that requires service, terms of this warranty apply.

How long does the coverage last?

The Warranty Period lasts for 90 days, beginning on the date you purchased the Product. The purchase date is printed on the receipt you received with the product.

What does this warranty cover?

During the Warranty Period, if the original manufacture of the material or workmanship of the Product is determined to be defective by an authorized Rocketfish repair center or store personnel, Rocketfish will (at its sole option): (1) repair the Product with new or rebuilt parts; or (2) replace the Product at no charge with new or rebuilt comparable products or parts. Products and parts replaced under this warranty become the property of Rocketfish and are not returned to you. If service of Products and parts are required after the Warranty Period expires, you must pay all labor and parts charges. This warranty lasts as long as you own your Rocketfish Product during the Warranty Period. Warranty coverage terminates if you sell or otherwise transfer the Product.

How to obtain warranty service?

If you purchased the Product at a retail store location, take your original receipt and the Product to the store you purchased it from. Make sure that you place the Product in its original packaging or packaging that provides the same amount of protection as the original packaging. If you purchased the Product from an online web site, mail your original receipt and the Product to the address listed on the web site. Make sure that you put the Product in its original packaging or packaging that provides the same amount of protection as the original packaging.

Where is the warranty valid?

This warranty is valid only to the original purchaser of the Product in the United States, Canada, and Mexico.

What does the warranty not cover?

This warranty does not cover:

- Customer instruction
- Installation
- Set up adjustments
- Cosmetic damage
- Damage due to acts of God, such as lightning strikes
- Accident
- Misuse
- Abuse
- Negligence
- Commercial use
- Modification of any part of the Product, including the antenna

This warranty also does not cover:

- Damage due to incorrect operation or maintenance
- Connection to an incorrect voltage supply
- Attempted repair by anyone other than a facility authorized by Rocketfish to service the Product
- Products sold as is or with all faults
- Consumables, such as fuses or batteries
- Products where the factory applied serial number has been altered or removed

REPAIR REPLACEMENT AS PROVIDED UNDER THIS WARRANTY IS YOUR EXCLUSIVE REMEDY. ROCKETFISH SHALL NOT BE LIABLE FOR ANY INCIDENTAL OR CONSEQUENTIAL DAMAGES FOR THE BREACH OF ANY EXPRESS OR IMPLIED WARRANTY ON THIS PRODUCT, INCLUDING, BUT NOT LIMITED TO, LOST DATA, LOSS OF USE OF YOUR PRODUCT, LOST BUSINESS OR LOST PROFITS. ROCKETFISH PRODUCTS MAKES NO OTHER EXPRESS WARRANTIES WITH RESPECT TO THE PRODUCT, ALL EXPRESS AND IMPLIED WARRANTIES FOR THE PRODUCT, INCLUDING, BUT NOT LIMITED TO, ANY IMPLIED WARRANTIES OF AND CONDITIONS OF MERCHANTABILITY AND FITNESS FOR A PARTICULAR PURPOSE, ARE LIMITED IN DURATION TO THE WARRANTY PERIOD SET FORTH ABOVE AND NO WARRANTIES, WHETHER EXPRESS OR IMPLIED, WILL APPLY AFTER THE WARRANTY PERIOD. SOME STATES, PROVINCES AND JURISDICTIONS DO NOT ALLOW LIMITATIONS ON HOW LONG AN IMPLIED WARRANTY LASTS, SO THE ABOVE LIMITATION MAY NOT APPLY TO YOU. THIS WARRANTY GIVES YOU SPECIFIC LEGAL RIGHTS, AND YOU MAY ALSO HAVE OTHER RIGHTS, WHICH VARY FROM STATE TO STATE OR PROVINCE TO PROVINCE.

Contact Rocketfish:

For customer service please call 1-800-620-2790

www.rocketfishproducts.com

Distributed by Best Buy Purchasing, LLC

7601 Penn Avenue South, Richfield, Minnesota, U.S.A. 55423-3645

© 2008 Best Buy Enterprise Services, Inc.

All rights reserved. ROCKETFISH is a trademark of Best Buy Enterprise Services, Inc. Registered in some countries. All other products and brand names are trademarks of their respective owners.

www.rocketfishproducts.com (800) 620-2790

Distributed by Best Buy Purchasing, LLC
7601 Penn Avenue South, Richfield, MN 55423-3645 USA

© 2008 Best Buy Enterprise Services, Inc.

All rights reserved. ROCKETFISH is a trademark of Best Buy Enterprise Services, Inc.
All other products and brand names are trademarks of their respective owners.



ENGLISH
08-1619