



PD-S53 Dash Cam User Manual

www.Polaroid.com



PD-S53
Dash Cam
User Manual

Table of Contents

| | |
|---|----|
| About this Guide | 3 |
| FCC Statement..... | 3 |
| WEEE Notice | 3 |
| Notes on Installation..... | 4 |
| Caution | 4 |
| 1 Introduction | 5 |
| 1.1 Features | 5 |
| 1.2 Package Contents | 5 |
| 1.3 Product Overview..... | 6 |
| 2 Getting Started | 7 |
| 2.1 Inserting the Memory Card | 7 |
| 2.2 Initial Settings | 8 |
| 2.2.1 Set the Date and Time | 8 |
| 2.3 Installing in Vehicles | 9 |
| 2.3.1 Mount to Windshield..... | 10 |
| 2.3.2 Adjust the device position..... | 10 |
| 2.4 Connecting to Power | 10 |
| 2.5 Powering the Dash Cam On / Off..... | 10 |
| 2.5.1 Auto Power On/Off | 11 |
| 2.5.2 Manual Power On/Off..... | 11 |
| 3 Using the Dash Cam | 12 |
| 3.1 Recording Videos..... | 12 |
| 3.1.1 Record videos while driving..... | 12 |
| 3.1.2 Manual Video Recording..... | 12 |
| 3.1.3 Emergency Recording..... | 12 |
| 3.1.4 The Recording Screen..... | 13 |
| 3.1.5 Taking Photos | 14 |
| 3.2 Playback Videos and Photos..... | 14 |
| 3.2.1 Deleting Files | 15 |
| 4 Adjusting the Settings | 16 |
| 4.1 Using the Menu..... | 16 |
| 4.2 Menu Tree | 17 |
| 5 Specifications..... | 18 |

About this Guide

The content in this document is for information purpose and is subject to change without prior notice. We made every effort to ensure that this User Guide is accurate and complete.

However, no liability is assumed for any errors and omissions that may have occurred.

The manufacturer reserves the right to change the technical specifications without prior notice.

FCC Statement

This equipment has been tested and found to comply with the limits for a Class B digital device, pursuant to Part 15 of the FCC Rules. These limits are designed to provide reasonable protection against harmful interference in a residential installation. This equipment generates, uses and can radiate radio frequency energy and, if not installed and used in accordance with the instructions, may cause harmful interference to radio communications. However, there is no guarantee that interference will not occur in a particular installation. If this equipment does cause harmful interference to radio or television reception, which can be determined by turning the equipment off and on, the user is encouraged to try to correct the interference by one or more of the following measures:

- Reorient or relocate the receiving antenna.
- Increase the separation between the equipment and receiver.
- Connect the equipment into an outlet on a circuit different from that to which the receiver is connected.
- Consult the dealer or an experienced radio/TV technician for help.

This device complies with Part 15 of the FCC Rules. Operation is subject to the following two conditions: (1) This device may not cause harmful interference, and (2) this device must accept any interference received, including interference that may cause undesired operation.

FCC Caution: Any changes or modifications not expressly approved by the party responsible for compliance could void the user's authority to operate this equipment.

WEEE Notice

Disposal of Waste Electrical and Electronic Equipment and/or Battery by users in private households in the European Union



This symbol on the product or on the packaging indicates that this can not be disposed of as a household waste. You must dispose of your waste equipment and/or battery by handling it over to the applicable take-back scheme for the recycling of electrical and electronic equipment and/or battery. For more information about recycling of this equipment and/or battery, please contact your city office, the shop where you purchased the equipment or your household waste disposal service. The recycling of materials will help to conserve natural resources and ensure that it is recycled in a manner that protects human health and environment.

Notes on Installation

1. Install the device near the rear-view mirror to obtain the best open-field view. Do NOT install the Dash Cam in a location that will obstruct your required driving view.
2. Make sure that the lens is within the wiping range of the windshield wiper to ensure a clear view even when it rains.
3. Do not touch the lens with your fingers. Finger grease may be left on the lens and will result in unclear videos or snapshots. Clean the lens on a regular basis.
4. Do not install the device on a tinted window. Doing so may damage the tint film.
5. Make sure that the installation position is not hindered by the tinted window.

Caution

- Use the authorized charger only.
- Never disassemble or attempt repair of this product. Doing so may damage the Dash Cam, cause electric shock and void your product warranty.
- Never short-circuit the battery.
- Exposing the Dash Cam to open flames can cause explosion.
- Due to local laws and vehicles safety considerations, do not manually operate the device while driving.
- Polaroid is NOT responsible for the loss of any data/content during operation.
- Before mounting, please check with the local DMV for the traffic laws of the location/method to mount appropriately.
- Audio recorded with the video may not be valid jurisdictional evidence; and it may be illegal to present such audio to the jury in some states.
- AV out port uses normal AV cable.

Before you start using the Car Dash Cam it is assumed that you agree to the above statements.

1 Introduction

Thank you for purchasing this advanced Dash Cam. This device is specifically designed for real time video and audio recording when driving.

1.1 Features

- HD camera (1920x1080 @ 30fps)
- 2.0" LED color screen
- 120 degree Wide angle lens
- Automatic Emergency recording for collision detection
- Supports micro-SDHC up to 32GB (Class 6 or greater speed required for HD video recording)

1.2 Package Contents

The package contains the following items. If there are any missing or damaged items, contact your dealer immediately.

Dash Cam



Bracket



User Manual



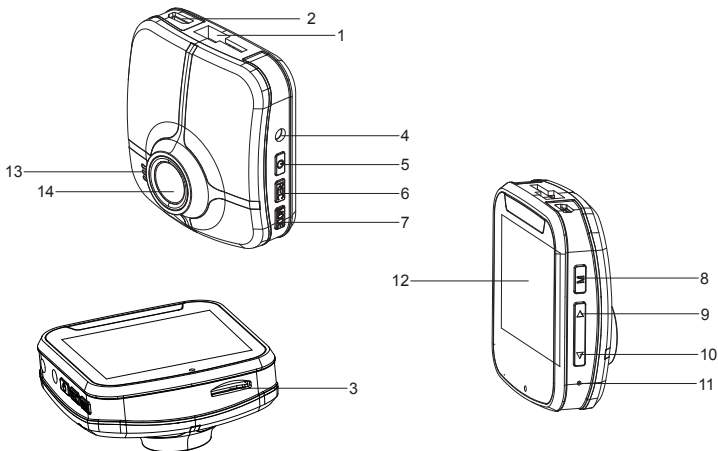
Quick start guide



USB cable with car charger



1.3 Product Overview



| No. | Item |
|-----|------------------|
| 1 | Bracket Socket |
| 2 | USB Connector |
| 3 | Memory Card Slot |
| 4 | AV/OUT |
| 5 | Power Button |
| 6 | REC(OK) |
| 7 | Mode Button (M) |

| No. | Item |
|-----|-----------------|
| 8 | Menu |
| 9 | Up Button (▲) |
| 10 | Down Button (▼) |
| 11 | Reset |
| 12 | LED Panel |
| 13 | Speaker |
| 14 | Wide Angle Lens |

*** POWER Button:**

Press for 1 second during recording for Audio On / Off.

Press for 3 seconds for Power On / Off.

*** Mode Button:**

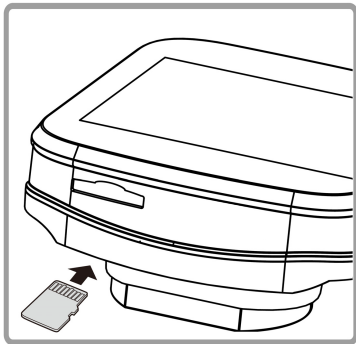
Press for 1 second during recording for Screen On / Off.

Press for 1 second during NON recording for mode switching.

2 Getting Started

2.1 Inserting the Memory Card

Insert the memory card with the gold contacts facing the back of the Dash Cam. Push the memory card until it clicks into place. (Use class 6 or above the micro SD cards for this Dash Cam; It is recommended to format the micro SD cards before the initial use.)



To remove the memory card

Push the edge of the memory card inward until you hear/feel it click, then allow it to push out until you can remove it from the slot.

Note:

1. Do not remove or insert the memory card when the device is powered on. This may damage the memory card.
2. It is recommended to use a 16 or 32 GB, Class 6 speed or above micro SD card.
3. It is recommended to format the micro SD cards before the initial use.

2.2 Initial Settings

2.2.1 Set the Date and Time

To set the correct date and time, do the following:

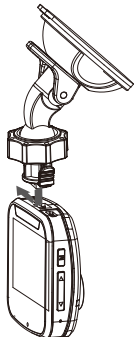
1. Press the **M** button to enter the menu.
2. Press the **▲/▼** button to select Date/Time and press the button.
3. Press the **▲/▼** button to adjust the value and press the **REC** button to move to another field.
4. Repeat step 3 until the date and time setting is complete.



2.3 Installing in Vehicles

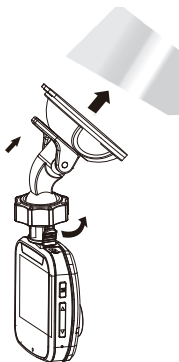
2.3.1 Mount to Windshield

1. Attach the bracket to the device.
Slide and push until the connection is firm.



2. With the suction-cup laying flat, position the suction-cup on the windshield.

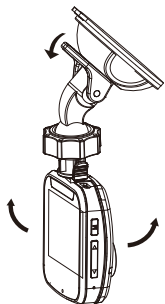
3. Hold the base firmly on the windshield and press down the clamp to mount the car holder to the windshield. Make sure the base is securely locked in place.



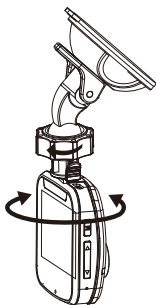
Warning: Do not install the device on a tinted window. Doing so may damage the tint film.

2.3.2 Adjust the device position

1. Rotate the knob to swivel the device vertically.



2. Rotate the knob to swivel the device horizontally up to 360°.



3. Then tighten the knobs to make sure the device is securely locked in place.

2.4 Connecting to Power

Use only the supplied car adapter to power up the device and charge the built-in battery.

1. Connect one end of the car adapter to the USB connector of the Dash Cam.
2. Plug the other end of the car charger to the cigarette lighter socket of your vehicle. Once the vehicle engine is started, the Dash Cam automatically powers on.

Note:

- Please take note if the environment temperature reaches 115°F or above, the car adapter still can supply power to Dash Cam, but it may not charge the battery. This is characteristic of Lithium polymer battery and is not a malfunction.

2.5 Powering the Dash Cam On / Off

2.5.1 Auto Power On/Off

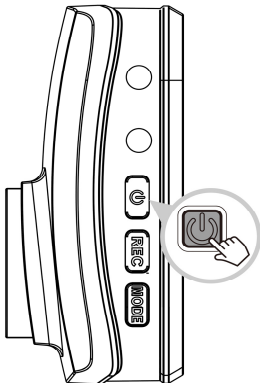
Once the vehicle engine is started, the Dash Cam automatically turns on. If the Automatic Record function is enabled, the recording will automatically start right after the Dash Cam powers on.

Once the vehicle engine shuts down, the Dash Cam automatically saves the recording and turns off the power within 10 seconds.

2.5.2 Manual Power On/Off

To manually turn on the power, press the POWER button.

To turn off, press and hold the POWER button for at least 3seconds.



3 Using the Dash Cam

3.1 Recording Videos

3.1.1 Record videos while driving

When the vehicle engine starts up and the **Automatic Record** function is enabled, the Dash Cam automatically turns on and starts recording.

Recording will automatically stop when the engine is switched off.

Or, press the **REC** button to stop recording manually.

Note:

On some cars, the recording will continue when the engine is switched off.

If this happens, do one of the following:

- Manually turn off the cigarette lighter socket if possible..
- Remove the car adapter from the cigarette lighter.

3.1.2 Manual Video Recording

1. Press the **REC** button to start recording.
2. Press the **REC** button to stop recording.

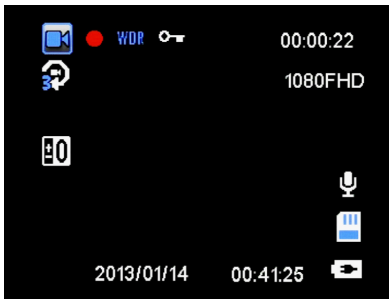
Note:

1. One video file is saved for every 2, 3 to 5 minutes of recording.
2. The device saves the recording on the memory card. If the memory card capacity is full, the oldest file in the memory card is overwritten.

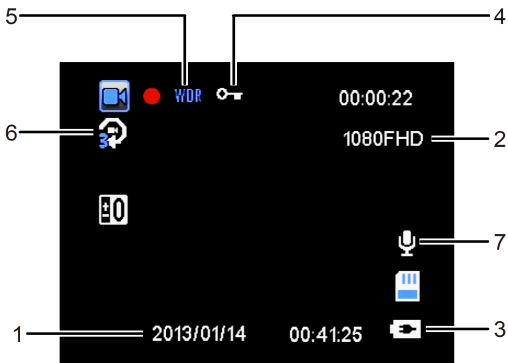
3.1.3 Emergency Recording

During normal video recording, if vehicle is engaged in unusual collision or impact, Emergency recording will start automatically. However, to turn on manual Emergency Recording, simply press the M button to begin emergency recording mode. The "Emergency" message will be displayed immediately on the upper left corner of the screen, and the recorded file will be continuous and protected from being overwritten.

To stop the recording, press the **REC** button.



3.1.4 The Recording Screen

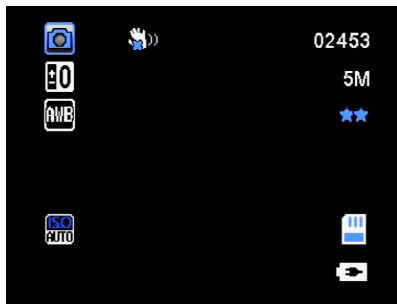


| No. | Item | Description |
|-----|------------------------|--|
| 1 | Date and time | Indicates the current recording date and time. |
| 2 | Resolution | Indicates the current video resolution. |
| 3 | Battery | Indicates the estimated remaining battery power or if it is being charged. |
| 4 | Guide icon (Emergency) | Press the M button to continuously record the video in one file until the recording is manually stopped. |
| 5 | WDR | Wide Dynamic Range |
| 6 | Loop Recording | Loop Recording Time |
| 7 | Micro Phone | Micro Phone ON/OFF |

3.1.5 Taking Photos

You can also use this Dash Cam to take photos of the current scene.

From the standby screen, press the **Mode** button become photo mode and press the **REC** button to take a photo.



Note:

If recording is in progress, press the **REC** button to stop the recording first.

3.2 Playback Videos and Photos

1. If recording is in progress, press the **REC** button to stop recording.
The standby screen is displayed.
2. Press the Mode button twice to enter the playback mode.
3. Press the ▲/▼ button to select the file category that you want to browse and press the **REC** button.
4. Press the ▲/▼ button to view the next or the previous file and press the REC button to view the file in full screen.



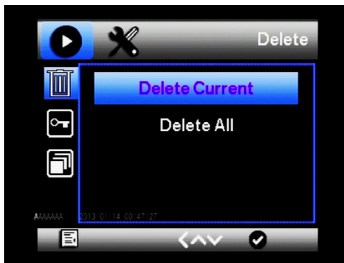
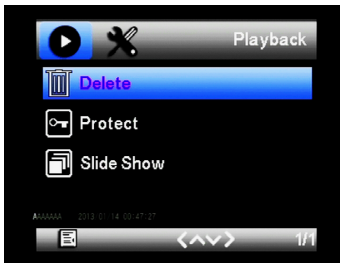
3.2.1 Deleting Files

To delete file(s), do the following:

1. If recording is in progress, press the **REC** button to stop recording.
2. Press the Mode button twice to enter the playback mode.
3. Press the ▲/▼ button to select File , press **M** to delete file.
4. Press the ▲/▼ button to select an option.

| Item | Description |
|------------|------------------------------------|
| Delete One | Delete the current displayed file. |
| Delete All | Deletes all files. |

5. Press the **REC** button to confirm delete.



Note:

Deleted files CANNOT be recovered. Ensure the files have backup before deletion.

4 Adjusting the Settings

4.1 Using the Menu

You can customize the video recording and other general settings via the on-screen display (OSD) menus.



1. If recording is in progress, press the **REC** button to stop recording.
2. Press the **M** button to open the menu.
3. Press the **▲/▼** button to select a menu option and press the **REC** button to enter the selected menu.
4. Press the **▲/▼** button to select the desired setting and press the button to confirm the setting.
5. Press the **M** button to exit the menu.
6. To format SD Card: Select **Format** under the **Setup Menu**, and then select OK in the pop-up window.

WARNING: all data saved on SD Card will be erased after format.

7. Screen Saver: this setting allows screen to go off after 3, 5, or 10 mins of operation. To set screen saver time, select **Screen Saver** under **Setup Menu**. To wake the screen during screen saver mode, simply press any key of Dash Cam.

4.2 Menu Tree

Refer to the below table for details on menu items and available menu options.

| Menu option | Description | Available option |
|------------------|--|---|
| Resolution | Set the desired video resolution. | 1080FHD 720P 60FPS 720P 30FPS WVGA VGA |
| Loop recording | 2 Minute to 5 Minute | Off/2 Minute, 3Minute or 5 Minute |
| WDR | Wide Dynamic Range | ON |
| Exposure | +2.0, +5/3, +4/3, +1.0, +2/3, +1/3, +0.0, -1/3, -2/3, -1.0, -4/3, -5/3, -2.0 | |
| Motion Detection | Enable/Disable the motion detection. If this function is enabled and the power off button is pressed, the system alert message. Under motion detection mode, the device will automatically start recording when any object movement is detected. | On/Off |
| Record Audio | Recording with audio | On/Off |
| Date Stamp | Recording with date | On/Off |
| G-sensor | Adjust G-sensor sensitivity | Off/High/Middle/Low |
| Date/Time | Set the date/time | Press ▲/▼ button to adjust the value, press the REC button to switch the field and confirm. |
| Key Tone | Button Key Sound | OFF/NO |
| Language | Set up language | English, French, Spanish, Portuguese, Deutsch, Italian, Simplified Chinese, Traditional Chinese, Russia, Japanese |
| AV Out | Set up AV Out mode | PAL/NTSC |
| Frequency | Adjust light frequency | 50Hz/60Hz |
| Screen Saver | Set up Screen Saver | Off/3 Minute, 5 Minute or 10Minute |
| Format | Format the memory card. Warning: Once a format has been initiated, ALL content on the micro SD card will be deleted CANNOT be restored or recovered. | OK/Cancel |
| Default Setting | Reset all options to the factory default settings. | OK/Cancel |
| Firmware version | Showing firmware version | |

5 Specifications

| Item | Description |
|--------------------------|---|
| Image sensor | CMOS sensor |
| Effective pixels | 2304 x 1536 |
| Storage media | Supports Micro SDHC, up to 32GB class 6 or above |
| LED display | 2.0" LED color TFT (230K pixels) |
| Lens | Wide Angle Fixed Focus lens F3.0 ; f=3.6+/-5%mm |
| Focus range | 1.5m~Infinity |
| Movie Clip | Resolution: Full HD (1920 x 1080) ,30fps; HD (1280 x 720), 30fps H.264 |
| Still image (Photograph) | Resolution: 3M (2048 x 1536) Format: DCF (JPEG, Exif: 2.2) |
| Shutter | Electronic shutter Auto:1/2 ~1/2000 sec. |
| G-Sensor | 3-Axis G-Force sensor |
| ISO | Auto |
| White Balance | Auto |
| Microphone | Yes |
| Speaker | Yes |
| Interface | Micro USB, AV Out |
| Battery | Built-in Li-polymer rechargeable (This battery is NOT replaceable) |
| Operating Temperature | 14° ~ 158° F |
| Operating Humidity | 20 ~ 70% RH |
| Storage Temperature | -4° ~ 158° F |
| Dimensions | 55 x 27 x 60 mm |
| Weight | Approx. 44g (1.6 oz) |
| Car Charger | INPUT: DC 12-24V, OUTPUT: DC 5V 1A |

PD-S53
Dash Cam
Manual de Usuario

Índice

| | |
|---|-----------|
| Acerca de este Manual | 3 |
| FCC Estado | 3 |
| WEEE Noticia..... | 3 |
| Notas de Instalaciones..... | 4 |
| 1 Introducción | 5 |
| 1.1 Características..... | 5 |
| 1.2 Contenidos del Paquete | 5 |
| 1.3 Descripción del Producto | 6 |
| 2 Para Empezar | 7 |
| 2.1 Insertar la Tarjeta de Memoria..... | 7 |
| 2.2 Configuración Inicial | 8 |
| 2.2.1 Ajuste de Fecha y Tiempo | 8 |
| 2.3 Instalación en Vehículos..... | 9 |
| 2.3.1 Montar en la Palabrisas | 10 |
| 2.3.2 Ajustar la posición del dispositivo | 10 |
| 2.4 Conexión a la Alimentación | 10 |
| 2.5 Powering the Camcorder On / Off..... | 10 |
| 2.5.1 Alimentar Auto On/Off | 11 |
| 2.5.2 Alimentar Manual On/Off..... | 11 |
| 3 Utilizar Dash Cam | 12 |
| 3.1 Agrabar Vídeos | 12 |
| 3.1.1 Grabación de videos mientras conducir | 12 |
| 3.1.2 Manual de Grabación de Video | 12 |
| 3.1.3 Grabación de Emergencia..... | 12 |
| 3.1.4 La Pantalla de grabación..... | 13 |
| 3.1.5 Tomar las Gráficas de Fotos | 14 |
| 3.2 Reproducción de Vídeos y Fotos | 14 |
| 3.2.1 Eliminación de archivos | 14 |
| 4 Ajustar las configuraciones | 16 |
| 4.1 Uso de Menu | 16 |
| 4.2 Árbol de Menu | 17 |
| 5 Especificaciones | 18 |

Acerca de este Manual

El contenido de este documento es para fines informativos y está sujeta a cambios sin previo aviso. Hemos hecho todo lo posible para garantizar que esta guía de usuario es exacta y completa .

Sin embargo , no se asume responsabilidad por cualquier error u omisión que pueda haber ocurrido .

El fabricante se reserva el derecho de modificar las especificaciones técnicas sin previo aviso.

FCC Estado

Este equipo ha sido probado y cumple con los límites para un dispositivo digital de Clase B , según la Parte 15 de las Normas de la FCC .Estos límites están diseñados para proporcionar una protección razonable contra las interferencias perjudiciales en una instalación residencial. Este equipo genera , utiliza y puede irradiar energía de radiofrecuencia y, si no se instala y utiliza de acuerdo con las instrucciones, puede causar interferencias perjudiciales en las comunicaciones de radio. Sin embargo , no hay garantía de que no se produzcan interferencias en una instalación en particular . Si este equipo causa interferencias perjudiciales en la radio o televisión, lo cual puede comprobarse encendiéndolo y apagándolo , se recomienda al usuario que intente corregir la interferencia mediante una o más de las siguientes medidas:

- Cambiar la orientación o ubicación de la antena receptora.
- Aumentar la separación entre el equipo y el receptor .
- Conecte el equipo a un tomacorriente en un circuito diferente de aquel al que está conectado el receptor .
- Consultese al distribuidor o un técnico de radio / TV con experiencia para obtener ayuda.

Este dispositivo cumple con la Parte 15 de las Normas de la FCC . La operación está sujeta a las dos condiciones siguientes :

(1) Este dispositivo no debe causar interferencias perjudiciales, y (2) este dispositivo debe aceptar cualquier interferencia recibida, incluyendo interferencias que puedan causar un funcionamiento no deseado .

Causión de FCC : Cualquier cambio o modificación no aprobados expresamente por la parte responsable del cumplimiento podrían anular la autoridad del usuario para utilizar este equipo .

WEEE Noticia

Residuos de aparatos eléctricos y equipo y / o la batería electrónica por parte de usuarios particulares en la Unión Europea



Este símbolo en el producto o en el embalaje indica que no puede desecharse como basura doméstica. Debe desechar su equipamiento y / o la batería de residuos entregándolo al organismo de recogida para el reciclado de aparatos eléctricos y electrónicos y / o la batería. Para obtener más información sobre el reciclaje de este equipo y / o de la batería, póngase en contacto con su oficina local, la tienda donde compró el equipo o su servicio de desechos del hogar . El reciclaje de materiales ayuda a conservar los recursos naturales y garantizar que se recicle de forma que se proteja la salud humana y el medio ambiente .



Notas de Instalaciones

1. Instale el aparato cerca del espejo retrovisor para obtener la mejor vista a campo abierto . NO instale la videocámara en un lugar que obstruya la vista de conducción necesario.
2. Asegúrese de que el objetivo está dentro del rango de barrido del limpiaparabrisas para garantizar una visión clara , incluso cuando llueve.
3. No toque el objetivo con los dedos . Grasa de los dedos puede permanecer en el objetivo y dará lugar a videos poco nítidos o instantáneas . Limpiar la lente sobre una base regular .
4. No instale el aparato en una ventana de tintado . Si lo hace, puede dañar la película de tinte.
5. Asegúrese de que la posición de montaje no se vea obstaculizado por la ventana de tintado .

Causión

- Utilice el cargador autorizado solo.
- Nunca desarme ni trate de reparar el producto . Si lo hace, podría dañar la videocámara , causar una descarga eléctrica y anulará la garantía del producto.
- Nunca cortar círculo la batería.
- La exposición de la cámara de vídeo al fuego puede causar una explosión.
- Debido a las leyes locales y las consideraciones de seguridad de vehículos , no opere manualmente el dispositivo mientras conduce .
- PLR NO es responsable por la pérdida de los datos / contenido durante el funcionamiento.
- Antes del montaje, compruebe por favor con la oficina local del DMV para las leyes de tránsito del lugar / método para montar adecuadamente.
- El audio grabado con el vídeo puede no ser una prueba jurisdiccional válido; y puede ser ilegal para presentar este tipo de audio al jurado en algunos estados.
- Salida AV puerto utiliza cable AV normal.

Antes de utilizar el Camcorder del coche, supone que usted acepta las declaraciones anteriores.

1 Introducción

Gracias por comprar este registrador avanzado del coche. Este dispositivo está diseñado específicamente para vídeo en tiempo real y grabación de audio durante la conducción.

1.1 Características

- HD cámara (1920x1080 @ 30fps)
- 2.0" LED pantalla con color
- Lentes gran angular de 120 grados
- Grabación automática para la detección de colisiones de emergencia
- Apoyar a micro-SDHC más de 32GB (Clase 6 o gran velocidad requerida para grabación de HD video)

1.2 Contenidos del Paquete

El paquete contiene los siguientes elementos. Si hay alguna falta o los artículos dañados , póngase en contacto con su distribuidor inmediatamente .

Registrador de coche



Soporte



Manual de Usuario



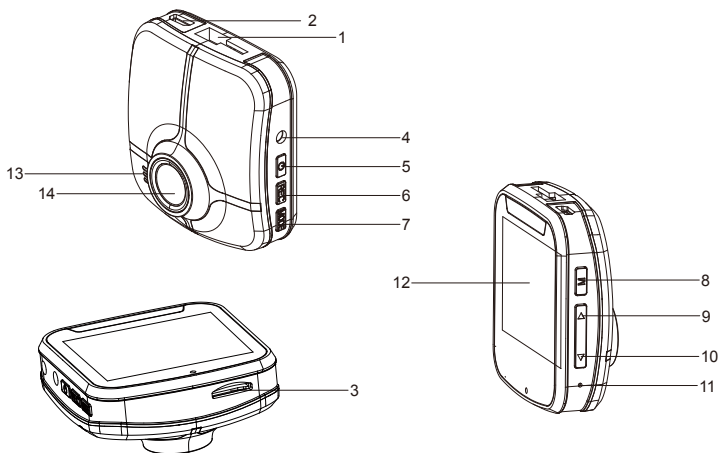
Guía rápida



USB cable



1.3 Descripción del Producto



| No. | Item |
|-----|-----------------------|
| 1 | Enchufe de soporte |
| 2 | USB Conector |
| 3 | Tarjeta de memoria |
| 4 | AV/OUT |
| 5 | Botón de alimentación |
| 6 | Modo |
| 7 | Botón de entrar (OK) |

| No. | Item |
|-----|-----------------------|
| 8 | Menu |
| 9 | Botón para arriba (▲) |
| 10 | Botón para abajo (▼) |
| 11 | Reset |
| 12 | LED Panel |
| 13 | Altavoz |
| 14 | Lente Gran Angular |

*** Botón POWER:**

Prensa para 1 segundo durante la grabacion de audio en / off.
 Presione por 3 segundos para encendido / apagado.

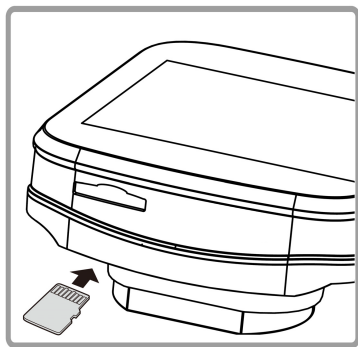
*** Botón MODE:**

Pulse para 1 segundo durante la grabación de la pantalla de encendido / apagado.
 Prensa para 1 segundo durante la no grabación para cambio de modo.

2 Para Empezar

2.1 Insertar la Tarjeta de Memoria

Inserte la tarjeta de memoria con los contactos dorados hacia la parte posterior de la videocámara. Empuje la tarjeta de memoria hasta que encaje en su lugar . (Uso de clase 6 o superior de las tarjetas micro SD de esta videocámara , se recomienda formatear las tarjetas micro SD antes del uso inicial.)



Para mover la tarjeta de memoria

Empuje el borde de la tarjeta de memoria hacia adentro hasta escuchar / sentir un chasquido , luego deje que se expulse hasta que pueda sacarlo de la ranura.

Nota:

1. No quitar o insertar la tarjeta de memoria cuando el dispositivo está encendido. Esto puede dañar la tarjeta de memoria.
2. Se recomienda el uso de la tarjeta micro SD de un 16 o 32 GB, clase 6 de velocidades o por encima
3. Se recomienda formatear las tarjetas micro SD antes del uso inicial.

2.2 Configuración Inicial

2.2.1 Ajuste de Fecha y Tiempo

Para configurar la correcta fecha y tiempo, se hace como siguiente:

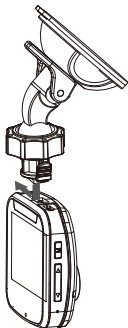
1. Presionar el botón **M** para entrar en menu OSD
2. Presionar el botón **▲/▼** para seleccionar Fecha/ Tiempo y precionar el botón.
3. Presionar el botón **▲/▼** para ajustar el valor y pulse el botón **REC** para pasar a otro campo.
4. Repetir el paso 3 hasta que se complete la configuración de fecha y tiempo.



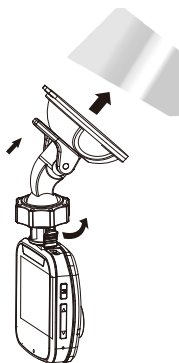
2.3 Instalación en Vehículos

2.3.1 Montar en la Palabrisas

1. Fije el soporte al dispositivo. Gire en el soporte de soporte hasta que se cae apretado.



1. Con la ventosa en posición horizontal, la posición de la ventosa en el parabrisas.
2. Sostenga la base firmemente en el parabrisas y presione hacia abajo la abrazadera para montar el soporte para coche en el parabrisas . Asegúrese de que la base esté bien trabada en su lugar.



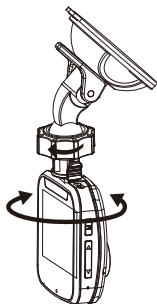
Advertencia: No instale el aparato en una ventana de tintado . Si lo hace, puede dañar la película de tinte.

2.3.2 Ajustar la posición del dispositivo

1. Gire el mando para girar el dispositivo en posición vertical.



2. Gire el mando para girar el dispositivo en posición horizontal hasta 360° .



3. Luego apriete las perillas para asegurar que el dispositivo está bloqueado en su lugar.

2.4 Conexión a la Alimentación

Utilice sólo el adaptador del automóvil suministrado al encender el dispositivo y cargar la batería incorporada.

1. Conecte un extremo del adaptador de coche para el conector USB de la videocámara.
2. Conecte el otro extremo del cargador de coche a la toma del encendedor de su vehículo. Una vez que el motor se pone en marcha , la videocámara se enciende automáticamente .

Nota:

- Por favor, tenga en cuenta si la temperatura ambiente alcanza los 115 ° F o más , el adaptador de coche todavía puede suministrar energía a la videocámara , pero no puede cargar la batería. Esto es característico de la batería de polímero de litio y no es un fallo de funcionamiento.

2.5 Powering the Camcorder On / Off

2.5.1 Alimentar Auto On/Off

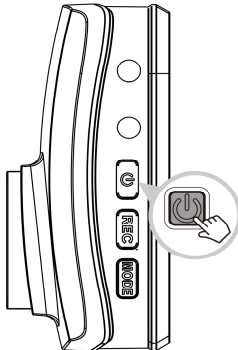
Una vez que el motor del vehículo se pone en marcha , la videocámara se enciende automáticamente. Si la función de grabación automática está activada, la grabación se iniciará automáticamente después de la videocámara está encendida .

Una vez que el motor del vehículo se apaga , la cámara guarda automáticamente la grabación y se apaga la potencia dentro de los 10 segundos.

2.5.2 Alimentar Manual On/Off

conectar con la alimentación manualmente , presione el botón de POWER.

Desconectar la alimentación, y presionar el botón de POWER no menos de 3 segundos



3 Utilizar Dash Cam

3.1 Grabar Videos

3.1.1 Grabación de videos mientras conducir

Cuando el motor del vehículo se pone en marcha y la función de Grabación Automática está activada , la videocámara se enciende automáticamente y empieza a grabar .

La grabación se detendrá automáticamente cuando el motor está apagado.

O presionar botón **REC** para detener grabar manualmente.

Nota:

En algunos automóviles , la grabación continuará cuando el motor está apagado.

Si esto sucede , realice una de las siguientes::

- Apagar manualmente la toma del encendedor si es posible ..
- Retire el adaptador del coche del alumbrador del cigarrillo .

3.1.2 Manual de Grabación de Video

1. Presionar botón **REC** para empezar grabar
2. Presionar botón **REC** para detener grabar

Nota:

1. Un archivo de vídeo se guarda para cada 3 o 5 minutos de grabación.

2. El dispositivo guarda la grabación en la tarjeta de memoria. Si la capacidad de la tarjeta de memoria está llena , el archivo más antiguo de la tarjeta de memoria se sobrescribe .

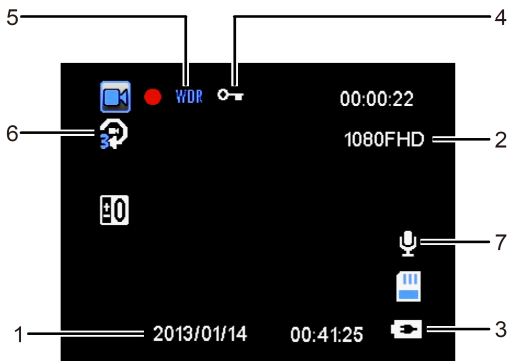
3.1.3 Grabación de Emergencia

Durante la grabación de vídeo normal, pulse el botón de disparo para iniciar el modo de grabación de emergencia . El mensaje de "Emergencia" se mostrará inmediatamente en la esquina superior izquierda de la pantalla, y el archivo grabado será continua y protegidos contra sobrescritura .

Para detenerse la grabación, presionar el botón **REC**.



3.1.4 La Pantalla de grabación

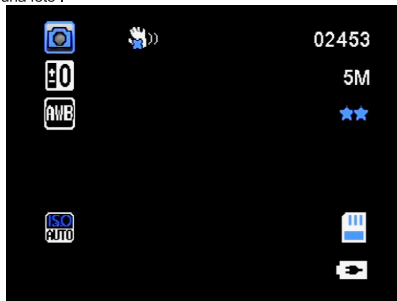


| No. | Item | Descripción |
|-----|---------------------------|--|
| 1 | Fecha y Tiempo | Indica la fecha de grabación y la hora actuales . |
| 2 | Resolución | Indica la resolución de vídeo actual. |
| 3 | Batería | Indica el nivel de batería restante estimado o si se está cargando. |
| 4 | Icono de Guía(Emergencia) | Presionar el botón del obturador para grabar de forma continua el vídeo en un solo archivo hasta que la grabación se detiene manualmente . |
| 5 | WDR | Wide Dynamic Range |
| 6 | Loop Recording | Loop Recording Time |
| 7 | Micro Phone | Micro Phone ON/OFF |

3.1.5 Tomar las Gráficas de Fotos

También puede utilizar este Cam Dash para tomar fotos de la escena actual.

Desde la pantalla de espera , presione la tecla **Mode** el modo foto convertido y presione el botón del obturador para tomar una foto .



Nota:

Si la grabación está en curso, pulse el botón **REC** para detener la grabación primero .

3.2 Reproducción de Videos y Fotos

1. Si la grabación está en curso, pulse el botón **REC** para detener la grabación .
Aparece la pantalla de espera.
2. Presionar el botón **Mode** dos veces para aentrar en modo de reproducción.
3. Presionar botón ▲/▼ para seleccionar el catálogo que quieres navegar y presionar el botón **REC**.
4. Presionar botón ▲/▼ para ver el siguiente o el archivo anterior y presionar el botón **OK** para ver el archivo con pantalla completa.



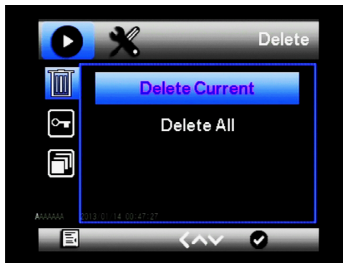
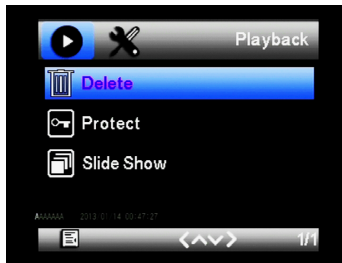
3.2.1 Eliminación de archivos

Para eliminar archivos, se hace los siguientes:

1. Si la grabación está en proceso, presione el botón **REC** para detener la grabación .
2. Presionar el botón **M** dos veces para aentrar en modo de reproducción
3. Presionar botón ▲/▼ para seleccionar archivo, presionar **M** para aeliminar archive.
4. Presionar botón ▲/▼ para seleccionar uan opción

| Item | Descripción |
|---------------|----------------------------|
| Eliminar Uno | Eliminar el archivo actual |
| Eliminar Todo | Eliminar todos archivos |

5. Presionar el botón **REC** para confirmar eliminación

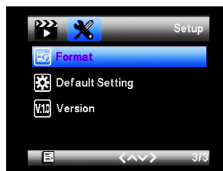
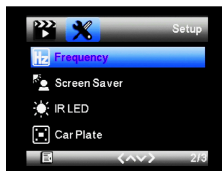
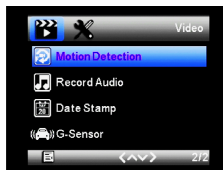


Nota: Los archivos borrados no se pueden recuperar . Asegúrese de que los archivos tienen copia de seguridad antes de la eliminación .

4 Ajustar las configuraciones

4.1 Uso de Menu

Puede personalizar la grabación de vídeo y otros ajustes generales a través de la visualización en pantalla (OSD) .



1. Si la grabación está en proceso, pulse el botón **REC** para detener la grabación .
2. Presionar **M** para abrir menu
3. Presionar botón **▲/▼** para seleccionar opciones del menu y presionar **REC** para entrar en la selección.
4. Presionar botón **▲/▼** para el ajuste deseado y presionar **REC** para confirmar la configuración.
5. Presionar **M** para salir desde menu

6. Para formatear la tarjeta SD: Seleccione el **Formato** en el **Menú de Configuración** y, a continuación, seleccione OK en la ventana emergente.

Advertencia: todos los datos guardados en la tarjeta SD serán borrados después de formato.

7. Screen Saver: este ajuste permite que la pantalla se apague después de 3 , 5 , o 10 minutos de operación . para establecer tiempo de protector de pantalla, protector de pantalla , seleccione en el Menú de configuración . Para activar la pantalla durante la pantalla el modo de ahorro , sólo tiene que pulsar cualquier tecla de Dash Cam.

4.2 Árbol de Menu

Consulte la tabla siguiente para obtener detalles sobre los elementos del menú y opciones de menú disponibles .

| Menu de opción | Description | Opción available |
|-------------------------|--|---|
| Resolución | Configurar resolución de video deseado | 1080FHD 720P 60FPS 720P 30FPS WVGA VGA |
| Grabación | 2Min a 5 Min | Off/2 Min, 3 Min a 5 Min |
| WDR | Wide Dynamic Range | ON |
| Exposure | +2.0, +5/3, +4/3, +1.0, +2/3, +1/3, +0.0, -1/3, -2/3, -1.0, -4/3, -5/3, -2.0 | |
| Detección de Movimiento | Activar / Desactivar la detección de movimiento. Si esta función está habilitada y la alimentación eléctrica se presiona el botón , el mensaje de alerta del sistema. En el modo de detección de movimiento , el dispositivo comenzará a grabar automáticamente cuando se detecta cualquier movimiento de objetos. | On/Off |
| Audio | Grabar con audio | On/Off |
| Sello de fecha | Grabar con fecha | On/Off |
| Sensor G | Adjuste Sensor G | Off/High/Middle/Low |
| Configura fecha /Tiempo | Configura fecha /Tiempo | Presionar ▲/▼ para ajustar el valor, presionar REC para interruptor del campo para confirmar |
| Sonido de botón | Sonido de teclas de botón | ON/OFF |
| Idioma | Configurar idioma | Inglés , francés, español , portugués, Deutsch, italiano, chino simplificado , chino tradicional, Rusio , Japónes |
| AV Out | Configurar TV AV Out | PAL/NTSC |
| frecuencia de Luz | Adjuste frecuencia de Luz | 50Hz/60Hz |
| Protector de pantalla | Configurar protector de pantalla | Off/3 Min a 5 Min y 10 Min |
| Formato | Formatear la tarjeta de memoria. Advertencia : Una vez que un formato se ha iniciado , se borrará todo el contenido de la tarjeta micro SD no se puede restaurar o recuperar. | OK/Cancelar |
| Default Setting | Reinicie todas las opciones a los valores predeterminados de fábrica . | OK/Cancelar |
| Versión de Firmware | Mostrar versión de firmware | |

5 Especificaciones

| Item | Descripción |
|-------------------------------|--|
| Imagen de sensor | CMOS sensor |
| Efectivo de pixels | 2304 x 1536 |
| Tarjetas de memoria | Apoyar a Micro SDHC, más de 32GB clase 6 o arriba |
| Pantalla LED | 2.0" LED color TFT (230K pixels) |
| Lentes | Lentes de gran angular fijos focos F3.0 ; f=3.6+/-5%mm |
| Rangode focos | 1.5m~Infinitivo |
| Clip de cinema | Resolution: Full HD (1920 x 1080), 30fps HD (1280 x 720), 30fps H.264 |
| Imagen fija (Fotografía) | Resolución: 3M (2048 x 1536) Formato: DCF (JPEG, Exif: 2.2) |
| Obturador | Electronico obturador Auto:1/2 ~1/2000 sec. |
| G-Sensor | 3-Axis G-Fuerza sensor |
| ISO | Auto |
| Balance de blanco | Auto |
| Microphone | Si |
| Altavoz | Si |
| Interface | Mini USB, AV Out |
| Batería | Batería recargable incorporada del Li- polímero (Esta batería no es reemplazable) |
| Temperatura de operación | 14° ~ 158° F |
| Humedad de operación | 20 ~ 70% RH |
| Temperatura de almacenamiento | -4° ~ 158° F |
| Dimensions | 55 x 27 x 60 mm |
| Peso | Approx. 44g (1.6 oz) |
| Car Charger | INPUT: DC 12-24V, OUTPUT: DC 5V 1A |

PD-S53
Dashcam
Manuel d'utilisateur

Table des matières

| | |
|---|----|
| A propos de ce guide..... | 3 |
| Déclaration de FCC..... | 3 |
| Avis de WEEE..... | 3 |
| Remarques sur l'installation..... | 4 |
| Avertissement..... | 4 |
| 1 Introduction..... | 5 |
| 1.1 Caractéristiques..... | 5 |
| 1.2 Contenu de l'emballage..... | 5 |
| 1.3 Vue d'ensemble du produit..... | 6 |
| 2 Mise en route..... | 7 |
| 2.1 Insertion de la carte mémoire..... | 7 |
| 2.2 Réglages initiaux..... | 8 |
| 2.3 Installation dans véhicules..... | 9 |
| 2.3.1 Monter à pare-brise..... | 9 |
| 2.3.2 Ajuster la position de l'appareil..... | 10 |
| 2.4 Connexion de l'alimentation..... | 10 |
| 2.5 Caméscope Hors tension/Sous tension..... | 10 |
| 2.5.1 Hors tension/Sous tension automatique..... | 10 |
| 2.5.2 Hors tension/Sous tension manuelle..... | 11 |
| 3 Utilisation de Dashcam..... | 12 |
| 3.1 Enregistrement vidéo..... | 12 |
| 3.1.1 Enregistrer des vidéos pendant la conduite..... | 12 |
| 3.1.2 Enregistrement vidéo manuel..... | 12 |
| 3.1.3 Enregistrement d'urgence..... | 12 |
| 3.1.4 L'écran d'enregistrement..... | 13 |
| 3.1.5 Prise de graphiques photo..... | 14 |
| 3.2 Lecture de vidéos et photos..... | 14 |
| 3.2.1 Suppression de fichiers..... | 15 |
| 4 Modification des paramètres..... | 16 |
| 4.1 Utilisation du menu..... | 16 |
| 4.2 Arborescence de menu..... | 17 |
| 5 Spécifications..... | 18 |

A propos de ce guide

Le contenu de ce document est pour le but d'information et est susceptible de changer sans préavis. Nous avons fait tous les efforts pour nous assurer que ce Guide d'Utilisateur est exact et complet.

Cependant, aucune responsabilité n'est assumée pour les erreurs et omissions qui ont pu se produire.

Le fabricant se réserve le droit de modifier les spécifications techniques sans préavis.

Déclaration de FCC

Cet équipement a été testé et constaté conforme aux limitations pour un appareil numérique de Classe B, conformément à la Partie 15 des règles de FCC. Ces limitations sont conçues pour fournir une protection raisonnable contre les interférences nuisibles dans une installation résidentielle. Cet équipement génère, utilise et peut émettre une énergie de radiofréquence et, s'il n'est pas installé et utilisé en conformité avec les instructions, peut causer des interférences nuisibles aux communications radio. Toutefois, il n'y a aucune garantie que des interférences ne se produiront pas dans une installation particulière. Si cet équipement entraîne des interférences nuisibles à la réception radio ou de la télévision, ce qui peut être déterminé en mettant l'équipement hors et sous tension, l'utilisateur est encouragé à essayer de corriger des interférences par une ou plusieurs des mesures suivantes :

- Réorienter ou relocaliser l'antenne de réception.
- Augmenter la distance entre l'équipement et le récepteur.
- Brancher l'équipement avec une prise sur un circuit différent de celui sur lequel le récepteur est branché.
- Consulter le revendeur ou un technicien radio/TV expérimenté.

Cet appareil est conforme à la partie 15 des règles de FCC. L'opération doit obéir les deux conditions suivantes: (1) Cet appareil ne devrait pas entraîner des interférences nuisibles, et (2) cet appareil doit accepter toute interférence reçue, y compris les interférences qui peuvent entraîner une opération indésirable.

Avertissement de FCC: Tout changement ou modification non expressément approuvés par la partie responsable de la conformité pourraient annuler le droit d'utilisateur à utiliser cet équipement.

Avis de WEEE

L'élimination des Déchets d'Équipement Électrique et Électronique et/ou de la Batterie par les utilisateurs dans les ménages privés dans l'Union européenne



Ce symbole concernant le produit ou son emballage indique qu'il ne peut pas être éliminé comme des ordures ménagères. Vous devez arranger votre équipement et / ou batterie de déchets en le soumettant au schéma de reprise pour le recyclage d'équipements électrique et électronique et/ou de la batterie. Pour plus d'informations sur le recyclage de cet équipement et/ou de la batterie, veuillez contacter votre mairie, le magasin où vous avez acheté l'équipement ou le service d'enlèvement des ordures ménagères. Le recyclage des matériaux aidera à préserver les ressources naturelles et à assurer qu'il est recyclé d'une manière qui protège la santé humaine et l'environnement.



Remarques sur l'installation

1. Installez l'appareil près du rétroviseur afin d'obtenir la meilleure vue en plein champ. Ne PAS installer le caméscope dans un endroit qui obstruera la vue de conduite nécessaire.
2. Assurez-vous que la lentille soit dans la gamme d'essuyage de l'essuie-glace pour garantir une vision claire même quand il pleut.
3. Ne touchez pas la lentille avec vos doigts. Une empreinte de doigt peut être laissée sur la lentille et résultera des vidéos ou des photos floues. Nettoyez la lentille sur une base régulière.
4. Ne pas installer l'appareil sur une vitre teintée. Cela pourrait endommager le film de la teinte.
5. Assurez-vous que la position d'installation ne soit pas entravée par la vitre teintée.

Avertissement

- Utilisez seulement le chargeur autorisé.
- Ne jamais démontez ou tentez de réparer ce produit. Cela pourrait endommager le caméscope, entraîner un choc électrique et annuler la garantie de votre produit.
- Ne jamais court-circuitez la batterie.
- L'exposition du caméscope aux flammes nues peut provoquer une explosion.
- En raison des lois locales et des considérations de sécurité des véhicules, ne pas manipulez manuellement l'appareil tout en conduisant.
- PLR Global Company N'EST PAS responsable de la perte de toutes les données/contenu au cours du fonctionnement.
- Avant de monter, s'il vous plaît vérifier avec le DMV local pour les lois de la circulation de l'emplacement / procédé de montage appropriée.
- Avant de monter, s'il vous plaît vérifier avec le DMV local pour les lois de la circulation de l'emplacement / procédé de montage appropriée.
- Audio enregistré avec la vidéo ne peut pas être une preuve de compétence valide; et il peut être illégal de présenter de tels audio au jury dans certains États.
- AV port utilise un câble AV normale.

Avant de commencer à utiliser le caméscope pour véhicule, il est supposé que vous acceptiez les déclarations ci-dessus.

1 Introduction

Merci d'avoir acheté ce Caméscope avancé pour véhicule. Cet appareil est spécialement conçu pour l'enregistrement vidéo et audio en temps réel lors de la conduite.

1.1 Caractéristiques

- Caméra HD (1920x1080 @ 30fps)
- Écran 2.0" LED Couleur
- 120 degrés lentille grand angle
- Enregistrement d'urgence automatique pour la détection de collision
- Supporte micro-SDHC jusqu'à 32 Go (Classe 6 ou plus haute vitesse requis pour l'enregistrement vidéo HD)

1.2 Contenu de l'emballage

L'emballage contient les éléments suivants. S'il y a des éléments manquants ou endommagés, contactez immédiatement votre revendeur.

Caméscope pour véhicule



Support



Manuel d'utilisateur



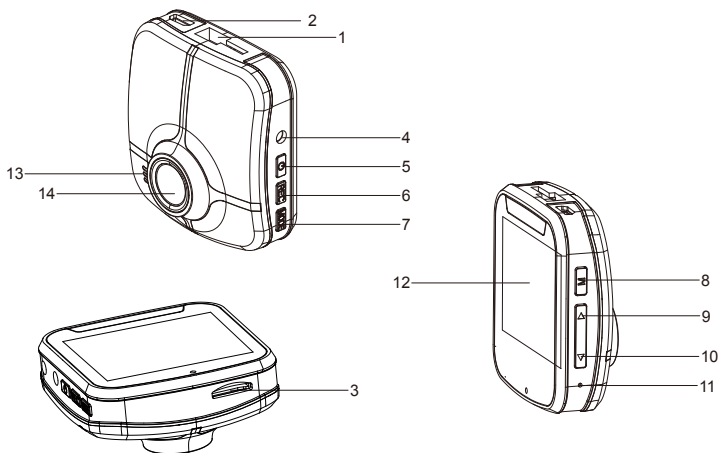
Guide de démarrage rapide



Câble USB



1.3 Vue d'ensemble du produit



| N ° | Événement |
|-----|--------------------------|
| 1 | Support de prise |
| 2 | Connecteur USB |
| 3 | Lecteur de Carte Mémoire |
| 4 | AV/SORTIE |
| 5 | Bouton d'Alimentation |
| 6 | REC (OK) |
| 7 | Mode (M) |

| N ° | Événement |
|-----|----------------------|
| 8 | Menu |
| 9 | Bouton Haut (▲) |
| 10 | Bouton Bas (▼) |
| 11 | Réinitialiser |
| 12 | Panneau LED |
| 13 | Haut-parleur |
| 14 | Lentille Grand Angle |

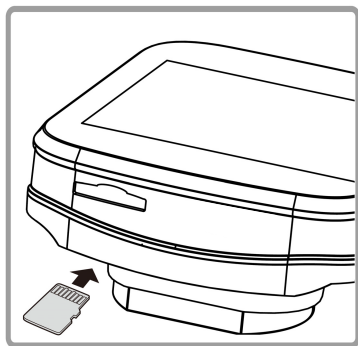
* Bouton POWER: Appuyez pendant 1 seconde pendant l'enregistrement audio pour On / Off .
Appuyez pendant 3 secondes pour Power On / Off .

* Bouton MODE: Appuyez pendant 1 seconde pendant l'enregistrement pour écran On / Off .
Appuyez pendant 1 seconde pendant l'enregistrement NON pour la commutation de mode.

2 Mise en route

2.1 Insertion de la carte mémoire

Insérer la carte mémoire avec les contacts dorés vers l'arrière du caméscope. Poussez la carte mémoire jusqu'à ce qu'elle s'enclenche. (Utiliser la classe 6 ou supérieure aux cartes micro SD pour ce caméscope; Il est recommandé de formater les cartes micro SD avant la première utilisation.)



Pour retirer la carte mémoire

Poussez le bord de la carte mémoire vers l'intérieur jusqu'à ce que vous entendiez/sentiez le clic, puis laissez-la pousser jusqu'à ce que vous puissiez retirer la fente.

Remarque:

1. Ne pas retirer ou insérer la carte mémoire lorsque l'appareil est sous tension. Cela pourrait endommager la carte mémoire.
2. Il est recommandé d'utiliser une carte micro SD de 16 ou 32 Go, de vitesse Classe 6 ou supérieur.
3. Il est recommandé de formater les cartes micro SD avant la première utilisation.

2.2 Réglages initiaux

2.2.1 Configurer la date et l'heure

Afin de configurer la date et l'heure, procéder comme suit :

1. Appuyer sur le bouton **M** pour entrer le menu
2. Appuyer sur le bouton **▲/▼** pour sélectionner Date/Heure et appuyer sur le bouton.
3. Appuyer sur le bouton **▲/▼** pour modifier la valeur et appuyer sur le bouton **REC** pour passer à un autre champ.
4. Répéter l'étape 3 jusqu'à ce que la modification de la date et de l'heure est terminée.

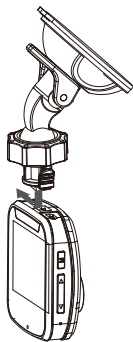


2.3 Installation dans véhicules

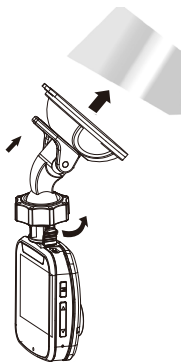
2.3.1 Monter à pare-brise

1. Attacher le support à l'appareil.

Le tournez dans le teneur de support jusqu'à ce que vous sentiez serré.



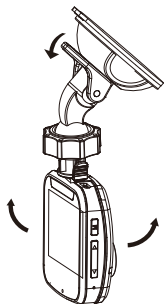
1. Avec la ventouse à plat, placez la ventouse sur le pare-brise.
2. Tenez fermement la base du pare-brise et appuyez sur la pince pour monter le support de véhicule au pare-brise. Assurez-vous que la base est bien verrouillée en place.



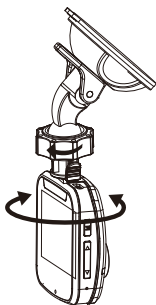
Avvertissement: Ne pas installer l'appareil sur une vitre teintée. Cela pourrait endommager le film.

2.3.2 Ajuster la position de l'appareil

1. Tourner la poignée pour faire pivoter l'appareil verticalement.



2. Tourner la poignée pour faire pivoter l'appareil horizontalement jusqu'à 360 °.



3. Puis serrez les poignées pour s'assurer que l'appareil soit bien verrouillé en place.

2.4 Connexion de l'alimentation

Utiliser uniquement l'adaptateur de véhicule fourni pour alimenter l'appareil et recharger la batterie intégrée.

1. Brancher une extrémité de l'adaptateur de véhicule au connecteur USB du caméscope.
2. Brancher l'autre extrémité du chargeur de véhicule avec la douille de l'allume-cigare de votre véhicule. Une fois le moteur du véhicule est démarré, le caméscope se met automatiquement sous tension.

Note:

- Veuillez prêter attention à vérifier si la température de l'environnement atteint 115°F ou supérieure, l'adaptateur de véhicule peut alimenter encore le caméscope, mais il ne peut pas charger la batterie. C'est la caractéristique de la batterie lithium polymère mais pas un dysfonctionnement.

2.5 Caméscope Hors tension/Sous tension

2.5.1 Hors tension/Sous tension automatique

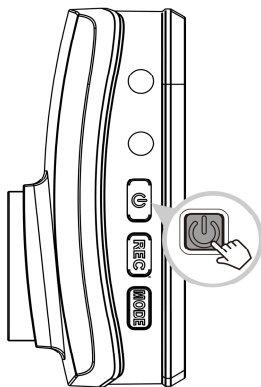
Une fois le moteur du véhicule est démarré, le caméscope se met automatiquement en marche. Si la fonction d'enregistrement automatique est activée, l'enregistrement démarrera automatiquement juste après la mise Sous tension.

Une fois le moteur du véhicule s'arrête, le caméscope enregistre automatiquement et coupe l'alimentation dans les 10 secondes.

2.5.2 Hors tension/Sous tension manuelle

Pour mettre Sous tension manuellement, appuyer sur le bouton ALIMENTATION.

Pour l'éteindre, appuyer et maintenir le bouton ALIMENTATION pendant au moins 3 secondes.



3 Utilisation de Dashcam

3.1 Enregistrement vidéo

3.1.1 Enregistrer des vidéos pendant la conduite

Lorsque le moteur du véhicule est démarré et la fonction d'**Enregistrement automatique** est activé, le caméscope se met automatiquement en marche et commence à enregistrer.

L'enregistrement s'arrêtera automatiquement lorsque le moteur est éteint.

Ou, appuyer sur le bouton **REC** pour arrêter l'enregistrement manuellement.

Remarque :

Sur certains véhicules, l'enregistrement se poursuivra lorsque le moteur est éteint.

Si dans ce cas, procéder l'un des suivants :

- Désactiver manuellement la prise d'allume-cigare si c'est possible.
- Retirer l'adaptateur de véhicule depuis l'allume-cigare.

3.1.2 Enregistrement vidéo manuel

1. Appuyer sur le bouton **REC** pour commencer l'enregistrement.
2. Appuyer sur le bouton **REC** pour arrêter l'enregistrement.

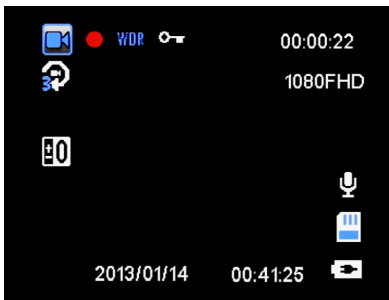
Remarque :

1. Un fichier vidéo est enregistré pour tous les 1 ou 3 minutes d'enregistrement.
2. L'appareil sauvegarde l'enregistrement sur la carte mémoire. Si la capacité de la carte mémoire est pleine, le plus ancien fichier dans la carte mémoire est écrasée.

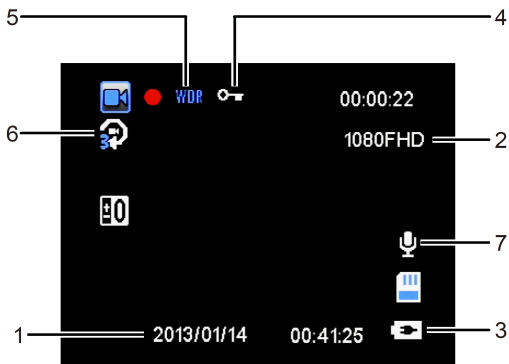
3.1.3 Enregistrement d'urgence

Pendant le mode d'enregistrement vidéo normal, appuyer sur le bouton **Obturateur** pour commencer le mode d'enregistrement d'urgence. Le message "Urgence" sera affiché immédiatement sur le coin supérieur à gauche de l'écran, et le fichier enregistré sera continu et protégé contre l'écrasement.

Afin d'arrêter l'enregistrement, appuyez sur le bouton **REC**.



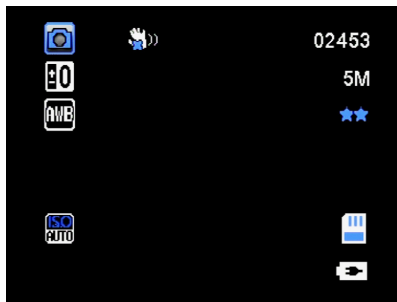
3.1.4 L'écran d'enregistrement



| N ° | Événement | Description |
|-----|--------------------------|---|
| 1 | Date et heure | Indique la date et l'heure d'enregistrement. |
| 2 | Résolution | Indique la résolution actuelle de la vidéo. |
| 3 | Batterie | Indique la puissance restante de la batterie estimée ou si elle est en train d'être chargée. |
| 4 | Icône de guide (Urgence) | Appuyer sur le bouton Obturateur pour enregistrer en continu la vidéo dans un fichier jusqu'à ce que l'enregistrement est arrêté manuellement. |
| 5 | WDR | Wide Dynamic Range |
| 6 | Loop Recording | Loop Recording Time |
| 7 | Micro Phone | Micro Phone ON/OFF |

3.1.5 Prise de graphiques photo

Depuis l'écran de veille, appuyer sur le bouton **Mode** pour passer en mode photo et appuyer sur le bouton **Obturbateur** pour prendre une photo.



Remarque:

Si l'enregistrement est en cours, appuyer sur le bouton **REC** pour arrêter d'abord l'enregistrement.

3.2 Lecture de vidéos et photos

1. Si l'enregistrement est en cours, appuyer sur le bouton **REC** pour arrêter l'enregistrement. L'écran de veille s'affiche
2. Appuyer sur le bouton M pour deux fois afin d'entrer dans le mode de lecture.
3. Appuyer sur le bouton ▲/▼ bouton pour sélectionner la catégorie du fichier que vous voulez parcourir et appuyer sur le bouton **REC**.
4. Appuyer sur le bouton ▲/▼ pour afficher le fichier suivant ou précédent et appuyer sur le bouton **REC** pour afficher le fichier en plein écran.



3.2.1 Suppression de fichiers

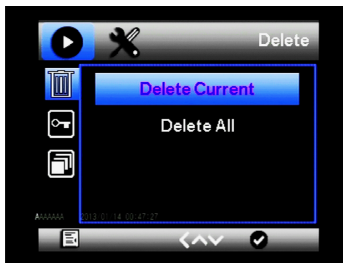
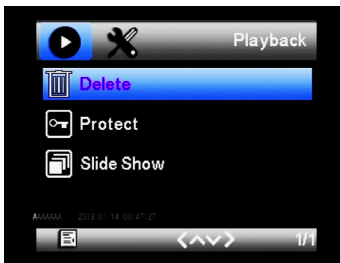
Afin de supprimer fichier(s),

To Supprimer file(s), procéder comme suit :

1. Si l'enregistrement est en cours, appuyer sur le bouton **REC** pour arrêter l'enregistrement.
2. Appuyer sur le bouton **M** pour deux fois afin d'entrer dans le mode de lecture.
3. Appuyer sur le bouton **▲/▼** pour sélectionner le Fichier, appuyer sur **M** pour supprimer fichier.
4. Appuyer sur le bouton **▲/▼** pour sélectionner une option.

| Evènement | Description |
|----------------|--|
| Supprimer Un | Supprimer le fichier d'affichage actuel. |
| Supprimer Tout | Supprimer tous les fichiers. |

5. Appuyer sur le bouton **REC** pour confirmer Supprimer.



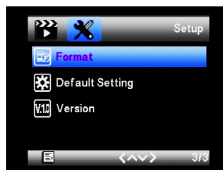
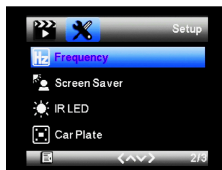
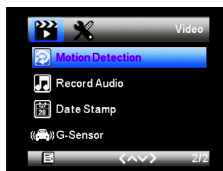
Remarque:

Fichiers supprimés NE PEUVENT PAS être récupérés. S'assurer que les fichiers possèdent la sauvegarde avant la suppression.

4 Modification des paramètres

4.1 Utilisation du menu

Vous pouvez personnaliser l'enregistrement vidéo et d'autres paramètres généraux via le menu d'affichage à l'écran (MAE).



1. Si l'enregistrement est en cours, appuyer sur le bouton **REC** pour arrêter l'enregistrement.
2. Appuyer sur le bouton **M** pour ouvrir le menu MAE.
3. Appuyer sur le bouton **▲/▼** pour sélectionner une option de menu et and appuyer sur le bouton **REC** pour entrer dans le menu sélectionné.
4. Appuyer sur le bouton **▲/▼** pour sélectionner les paramètres désirables et appuyer sur le bouton **REC** pour confirmer cette modification.
5. Appuyez sur le bouton **M** pour quitter le menu.
6. Pour formater la carte SD : Sélectionner un **Format** sous le **Menu de Configuration**, puis sélectionnez **OK** dans la fenêtre pop-up.

ATTENTION: toutes les données enregistrées sur la carte SD seront effacées après format.

7. Screen Saver : ce paramètre permet de l'écran pour aller au bout de 3 , 5 ou 10 minutes de fonctionnement . pour définir temps de l'économiseur d' écran , sélectionnez l'économiseur d'écran sous menu de configuration. Pour réveiller l'écran pendant l'écran

4.2 Arborecence de menu

Référez-vous à la table ci-dessous pour plus de détails sur Evénements de menu et options disponibles de menu.

| Option de menu | Description | Option disponible |
|--------------------------|---|---|
| Résolution | Configurer la résolution vidéo souhaitée. | 1080FHD 1920x1080 1080P 1440X1080 720P 1280X720 WVGA 848X480 VGA 640x480 QVGA 320x240 |
| Enregistrement en boucle | 2 Minute à 5 Minutes | Hors tension/2 Minute, 3 Minutes à 5 Minutes |
| WDR | Wide Dynamic Range | ON |
| Exposure | +2.0, +5/3, +4/3, +1.0, +2/3, +1/3, +0.0, -1/3, -2/3, -1.0, -4/3, -5/3, -2.0 | |
| Détection de mouvement | Activer/Désactiver la détection de mouvement. Si cette fonction est activée et le bouton d'hors tension est appuyée, le message d'alerte du système. En mode de détection de mouvement, l'appareil démarre automatiquement l'enregistrement quand un mouvement de l'objet est détecté. | Sous tension/Hors tension |
| Record Audio | Recording avec audio | Sous tension/Hors tension |
| Cachet de la date | Enregistrement avec date | Sous tension/Hors tension |
| Capteur de gravité | Modifier la sensibilité de Capteur de gravité | Hors tension/ High/Middle/Low |
| Configurer Date/Heure | Configurer la date et l'heure | Appuyer sur le bouton ▲/▼ pour modifier la valeur et appuyer sur le bouton REC pour changer le champ et confirmer. |
| Son de clé | Son de clé | OFF/ON |
| Langue | Configurer langue | anglais, français, espagnol, portugais, allemand, italien, chinois simplifié, chinois traditionnel, russe, japonais |
| AV Out | Configurer AV Out | PAL/NTSC |
| Fréquence de la lumière | Modifier la fréquence de la lumière | 50Hz/60Hz |
| Economiseur d'écran | Configurer économiseur d'écran | Hors tension/3 Minutes à 5 Minutes et 10 Minutes |
| Rotation de l'image | Configurer rotation de l'image | Sous tension/Hors tension |
| Formater | Formater la carte mémoire. Avertissement : Une fois un format a été réinitialisé, tout le contenu de la carte micro SD sera supprimé et NE PEUT PAS être restauré ou récupéré. | OK/Annuler |
| Réglage par défaut | Réinitialiser toutes les options aux paramètres d'usine par défaut. | OK/Annuler |
| Versoin du micrologiciel | Affichage de la version du micrologiciel | |

5 Spécifications

| Evénement | Description |
|-------------------------------|--|
| Capteur de l'image | Capteur de CMOS |
| Pixels effectifs | 2304 x 1536 |
| Stockage multimédia | Supporte Micro SDHC, jusqu'à 32Go classe 6 ou supérieur |
| Affichage de LED | 2.0" LED couleur TFT (230K pixels) |
| Lentille | Lentille de focus grand angle F3.0 ; f=3.6+/-5%mm |
| Gamme de focus | 1.5m~Infinité |
| Segment du film | Résolution : HD Plein (1920 x 1080), 30fps HD (1280 x 720), 30fps H.264 |
| Image fixe (Photographe) | Resolution: 3M (2048 x 1536) Format: DCF (JPEG, Exif: 2.2) |
| Obturbateur | Obturbateur électronique automatique:1/2 ~1/2000 sec. |
| Capteur de gravité | Capteur de puissance de gravité à 3-axes |
| ISO | Automatique |
| Balance blanche | Automatique |
| Microphone | Oui |
| Haut-parleur | Oui |
| Interface | Mini USB, AV Sortie |
| Batterie | Li-polymère intégré et rechargeable (Cette batterie N'EST PAS remplaçable) |
| Température de fonctionnement | 14° ~ 158° F |
| Humidité de fonctionnement | 20 ~ 70% RH |
| Température de stockage | -4° ~ 158° F |
| Dimensions | 55 x 27 x 60 mm |
| Poids | Approx. 44g (1.6 oz) |
| Car Charger | INPUT: DC 12-24V, OUTPUT: DC 5V 1A |

ONE(1)YEAR LIMITED WARRANTY

WARRANTY COVERAGE:

This warranty obligation is limited to the terms set forth below.

WHO IS COVERED:

This product is warranted to the original purchaser or the person receiving the product as a gift against defects in materials and workmanship as based on the date of original purchase ("Warranty Period") from an Authorized Dealer. The original sales receipt showing the product name and the purchase date from an authorized retailer is considered such proof.

WHAT IS COVERED:

This warranty covers new products if a defect in material or workmanship occurs and a valid claim is received within the Warranty Period. At its option, the company will either (1) repair the product at no charge, using new or refurbished replacement parts, or (2) exchange the product with a product that is new or which has been manufactured from new, or serviceable used parts and is at least functionally equivalent or most comparable to the original product in current inventory, or (3) refund the original purchase price of the product. The Company warrants replacement products or parts provided under this warranty against defects in materials and workmanship from the date of the replacement or repair for the remaining portion of the original product's warranty. When a product or part is exchanged, any replacement item becomes your property and the replaced item becomes the company's property. When a refund is given, your product becomes the company's property.

Replacement product can only be sent if all warranty requirements are met. Failure to follow all requirements can result in delay.

WHAT IS NOT COVERED –

EXCLUSIONS AND LIMITATIONS:

This Limited Warranty applies only to the new products that can be identified by the trademark, trade name, or logo affixed to it. This Limited Warranty does not apply to any non-GiiNii hardware product or any software, even if packaged or sold with the product. Non-GiiNii hardware manufacturers, suppliers, or publishers may provide a separate warranty for their own products packaged with the bundled product.

The Company is not liable for any damage to or loss of any programs, data, or other information stored on any media contained within the product, or any non-GiiNii product or part not covered by this warranty. Recovery or reinstallation of programs, data or other information is not covered under this Limited Warranty.

This warranty does not apply (a) to damage caused by accident, abuse, misuse, neglect, misapplication, or non-GiiNii product, (b) to damage caused by service

performed by anyone other than an Authorized Service Location, (c) to a product or a part that has been modified without written permission, or (d) if any serial number has been removed or defaced, or (e) to a product, accessories or consumables sold "AS IS" without warranty of any kind by including refurbished GiiNii products sold "As IS" by some retailers.

THIS LIMITED WARRANTY DOES NOT COVER:

- Shipping charges to return defective product.
- Labor charges for installation or setup of the product, adjustment of customer controls on the product, and installation or repair of any part outside of the product
- Product repair and/or part replacement because of improper installation or maintenance, connections to improper voltage supply, power line surge, lighting damage, retained images or screen markings resulting from viewing fixed stationary content for extended periods, product cosmetic appearance items due to normal wear and tear, unauthorized repair or other cause not within the control of the company.
- Damage or claims for products not being available for use, or for lost data or lost software.
- Damage from mishandled shipments or transit accidents when returning product.
- A product that requires modification or adaptation to enable it to operate in any country other than the country for which it was designed, manufactured, approved and/or authorized, or repair of products damaged by these modifications.
- A product used for commercial or institutional purposes (including but not limited to rental purposes).
- Product lost in shipment and no signature verification receipt can be provided.
- Failure to operate per Owner's Manual.

TO OBTAIN ASSISTANCE

Send an email to customerservice@GiiNii.com.

For technical support call toll free: 1-866-909-3550

REPAIR OR REPLACEMENT AS PROVIDED UNDER THIS WARRANTY IS THE EXCLUSIVE REMEDY FOR THE CONSUMER. GIINII SHALL NOT BE LIABLE FOR ANY INCIDENTAL OR CONSEQUENTIAL DAMAGES FOR BREACH OF ANY EXPRESS OR IMPLIED WARRANTY ON THIS PRODUCT. EXCEPT TO THE EXTENT PROHIBITED BY APPLICABLE LAW, ANY IMPLIED WARRANTY OR MERCHANTABILITY OR FITNESS FOR A PARTICULAR PURPOSE ON THIS PRODUCT IS LIMITED IN DURATION TO THE DURATION OF THIS WARRANTY. Some states do not allow the exclusions or limitations of incidental or consequential damages, or allow limitations on how long an implied warranty lasts, so the above limitations or exclusions may not apply to you.

This warranty gives you specific legal rights. You may have other rights which may vary from state/province to state/province.

Important!
Please Mail TODAY
or Register Online

*Important! Veuillez envoyer
le courrier AUJOURD'HUI
ou vous inscrire en ligne*



P.O. Box 611090
San Jose, CA 95161

First Class
Postage
Required

