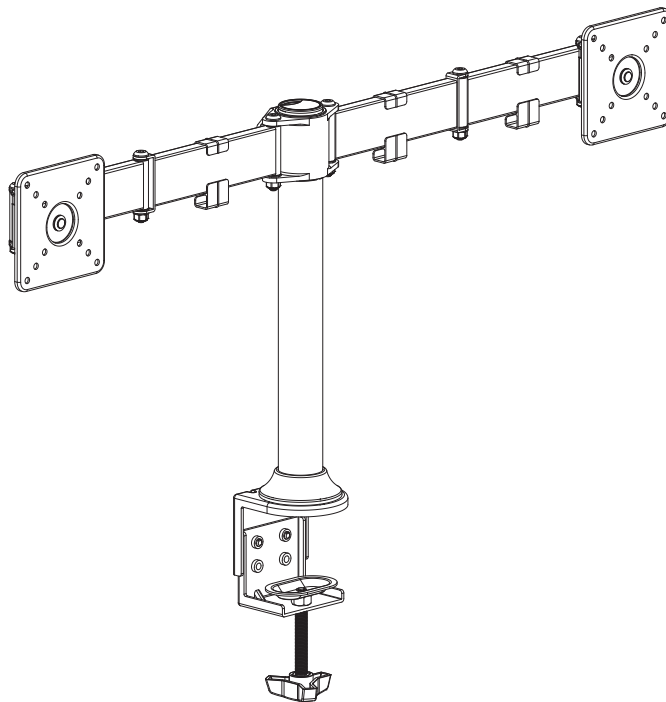


INSIGNIA™

Dual-Screen Desktop Mount

NS-PMMD26/NS-PMMD26-C



Before using your new product, please read these instructions to prevent any damage.



Contents

Introduction 2

IMPORTANT SAFETY INSTRUCTIONS 2

Features 3

 Dimensions 4

 Package contents 5

 VESA mount patterns 5

Installation instructions 6

 STEP 1: Preparing your monitor 6

 STEP 2: Adjusting the monitor support base 6

 STEP 3: Attaching the monitor support base to the desktop 7

 STEP 4: Installing the monitor connecting arm 8

 STEP 5: Removing the monitor plates 9

 STEP 6: Attaching the monitors to the monitor plates 10

 STEP 7: Attaching the monitor/monitor plate assembly to the monitor connecting arm 10

 STEP 8: Installing the cable clips and managing cables 11

 STEP 9: Adjusting the monitor 12

Specifications 13

ONE-YEAR LIMITED WARRANTY 14

Introduction

Congratulations on your purchase of a high-quality Insignia product. Your NS-PMMD26/NS-PMMD26-C represents the state of the art in monitor mount design and is designed for reliable and trouble-free performance.

IMPORTANT SAFETY INSTRUCTIONS

CAUTION:



- 1 Never let children climb on, or play with, the product.
- 2 Do not sit or stand on the product.
- 3 Do not fasten a monitor that is heavier than the recommended load rating to the mount.
- 4 Use suitable fixtures to secure the monitor mount.
- 5 Improper installation may cause property damage and/or personal injury. The manufacturer is not liable for damage or injury caused by incorrect mounting, assembly, or use.
- 6 Improper handling can result in cuts and lacerations.
- 7 Pictures are for reference only, your actual product may be different.
- 8 Keep these instructions for future reference.



CAUTION: This product is intended for use with weights not exceeding the “maximum weight capacity of 26 lbs. (11.79 kg).” To avoid injury, don’t overtighten screws. Use with products heavier than the maximum weights indicated may result in collapse of the mount and its accessories, causing possible injury.

SAVE THESE INSTRUCTIONS

Features

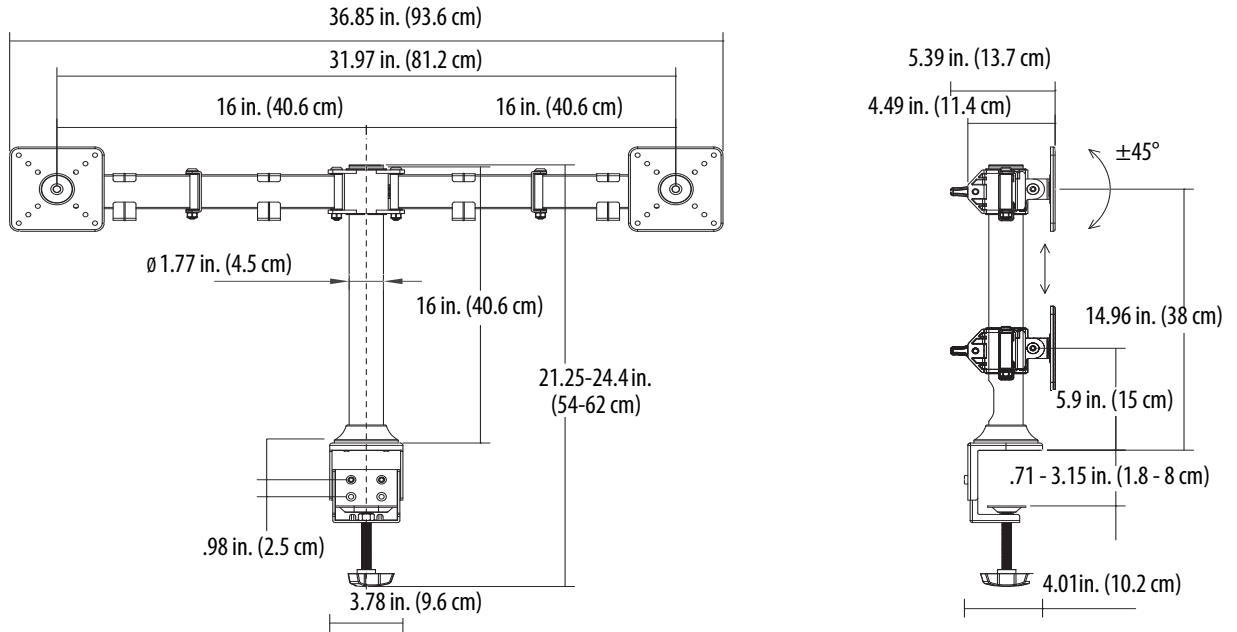
- Dual design holds monitors side-by-side to extend your display
- Supports two 32 in (81.28 cm) monitors in landscape orientation or two 28 in (71.12 cm) monitors in portrait orientation
- Heavy-duty steel construction securely holds up to two 26 lb. (11.79 kg) monitors
- Max height of 14.96 in. (38 cm) lets you raise or lower your view
- Adjustable positioning tilts (+/-45°) and swivels (+/- 90°) for versatile viewing options
- Cord management clip keeps your cables organized
- VESA compatible with 50×50mm, 75×75mm, and 100×100mm mounting holes

CAUTIONS:

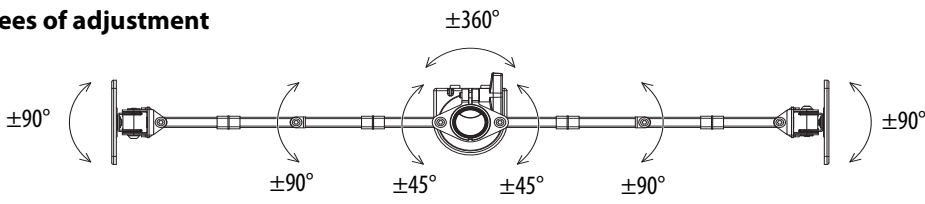
- Do not attach your monitor mount to a glass-top table or desk. The weight of your mount and monitors may break the tabletop.
- Attach your monitor mount to a square or rectangular table or desk. Your monitor mount may not fit securely to an oval or irregularly shaped table.
- Do not attach a monitor to your monitor mount that exceeds the size and weight limitations. See [STEP 9: Adjusting the monitor](#) on page [12](#).

Dimensions

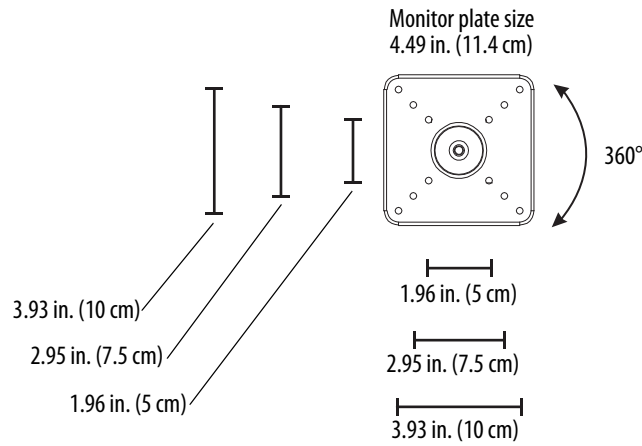
Overall dimensions



Degrees of adjustment



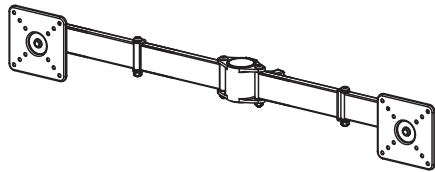
Mounting hole patterns



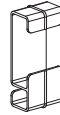
Package contents

Parts

Make sure that you have all the parts necessary to assemble your new monitor mount:



01 - Monitor connecting arm



02 - Cable clips (4)



03 - Monitor support base

Hardware

Make sure that you have all the hardware necessary to assemble your new monitor mount:



A 5 mm Allen key



B M4 x 12 mm (8)



C M5 x 12 mm (8)



D M6 x 12 mm (8)



E M4 x 30 mm (8)



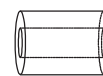
F M5 x 30 mm (8)



G M6 x 30 mm (8)



H M5 washer (8)



I M6 x 17 mm spacer (8)

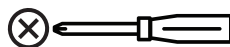


J M8 x 2.5 mm spacer (8)

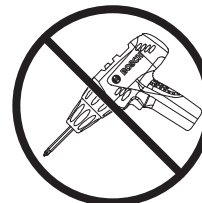
Note: You may not use all the included hardware.

Tools required (not provided)

Make sure that you have the tools necessary to assemble and install your new monitor mount:



Phillips screwdriver



No power tools

VESA mount patterns

Your monitor mount works with the following VESA screw hole patterns:

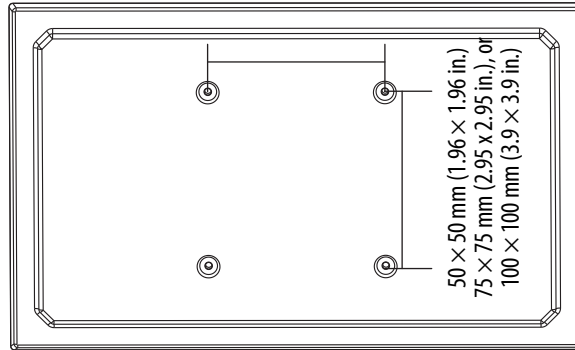
- 50 x 50 mm (1.96 x 1.96 in.)
- 75 x 75 mm (2.95 x 2.95 in.)
- 100 x 100 mm (3.9 x 3.9 in.)

Installation instructions

STEP 1: Preparing your monitor

- 1 Make sure that your monitor has screw holes on the back for VESA mounting. You can use a monitor with VESA mounting patterns of 50 × 50 mm (1.96 × 1.96 in.), 75 × 75 mm (2.95 × 2.95 in.), or 100 × 100 mm (3.9 × 3.9 in.).

50 × 50 mm (1.96 × 1.96 in.),
 75 × 75 mm (2.95 × 2.95 in.), or
 100 × 100 mm (3.9 × 3.9 in.)

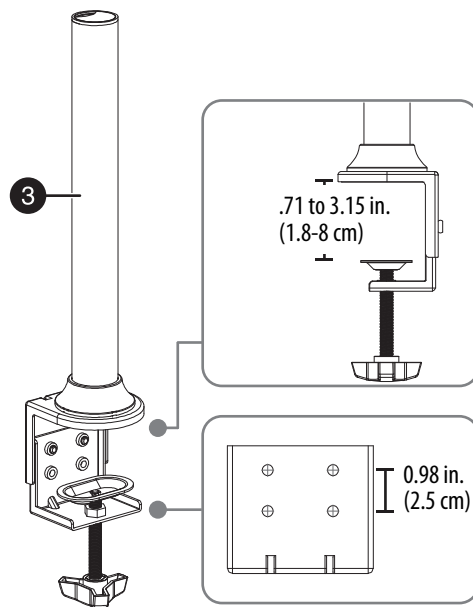


- 2 Remove the base or stand from your monitor.

STEP 2: Adjusting the monitor support base

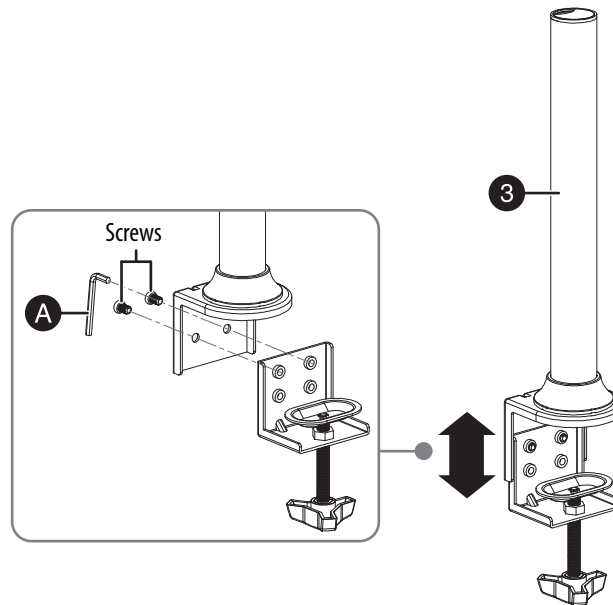
The base clamp of the monitor support base (03) is adjustable to accommodate the thickness of the desktop you plan to attach it to.

- 1 Determine the thickness to the desktop, then adjust the height of the base clamp, if necessary.



- To change the height adjustment of the base clamp, remove the screws holding the support column to the support base with the 5 mm Allen key (A), move the support column to accommodate the thickness of your desktop, then reinstall the screws.

CAUTION: Make sure that you tighten the screws after adjustment to avoid accidents.

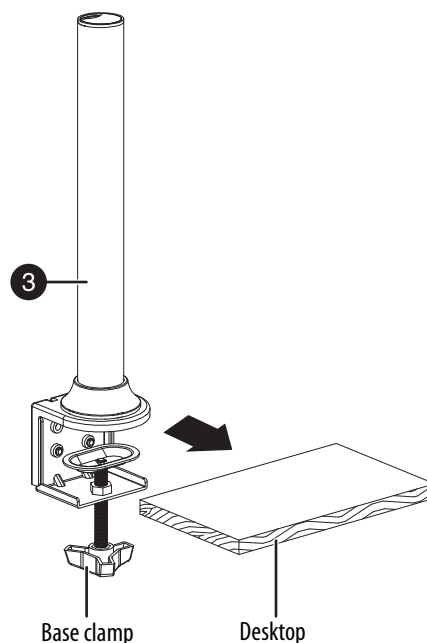


STEP 3: Attaching the monitor support base to the desktop

CAUTIONS:

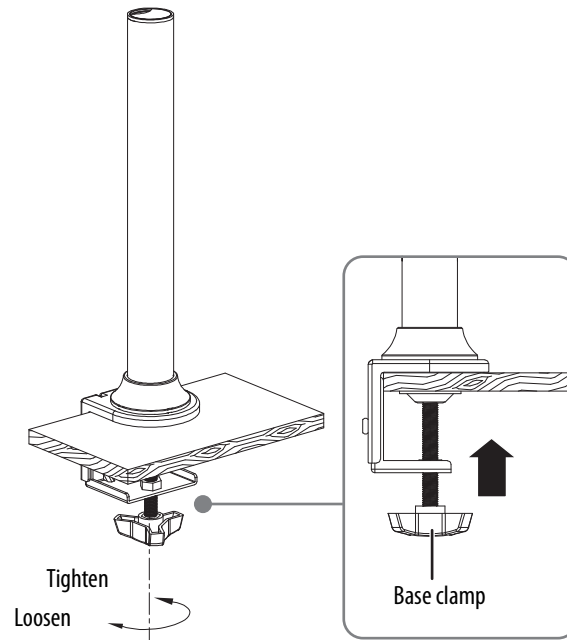
- Make sure that the tabletop or desktop is square or rectangular. Your mount may not fit securely to an oval or irregularly shaped surface.
- Make sure that the tabletop or desktop thickness is between .71 and 3.15 inches (1.8 and 8 cm) and strong enough to support the weight of your monitor mount and monitor.

- Determine where you are going to install your monitor mount to your desktop.
- Loosen the base clamp enough to fit over the edge of the desktop, then slide the support base/base clamp assembly over the edge of the desk where you want your monitor mount installed.



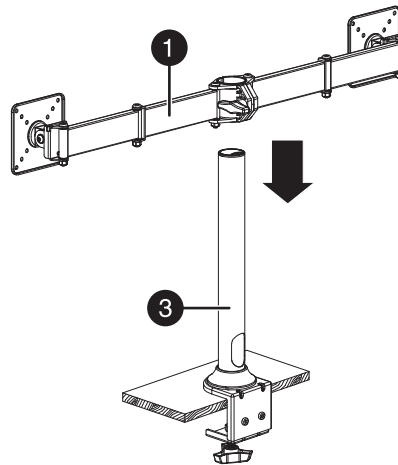
- Tighten the base clamp screw by turning it counterclockwise. Make sure that the clamp assembly is flush with the desk to prevent wobbling.

- 4 Tighten the base clamp securely to hold it in place.

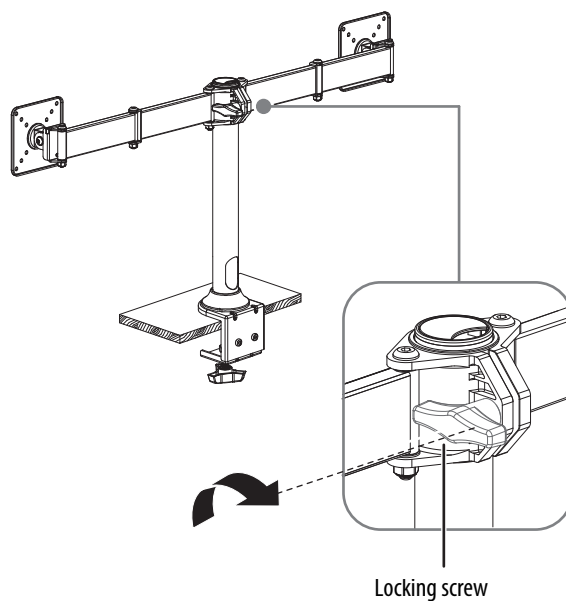


STEP 4: Installing the monitor connecting arm

- 1 Loosen (counterclockwise) the monitor connecting arm locking screw, then place the monitor connecting arm (01) over the monitor support base (03).

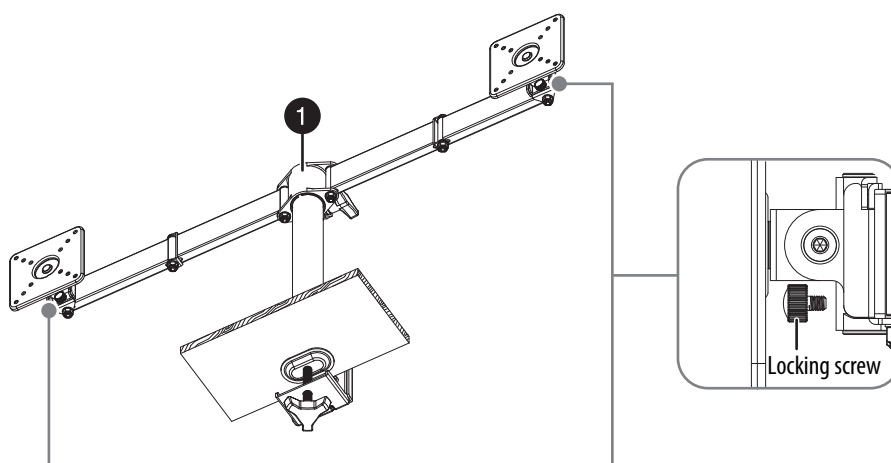


- 2 Tighten the monitor connecting arm locking screw until secure.

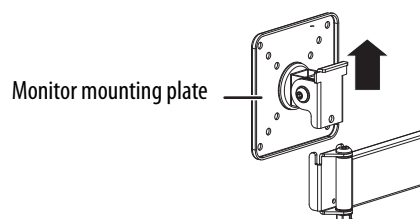


STEP 5: Removing the monitor plates

- 1 Loosen (counterclockwise) the locking screw, then remove it from the monitor connecting arm (01).



- 2 Remove the monitor plates from the monitor connecting arm (01).



STEP 6: Attaching the monitors to the monitor plates

CAUTIONS:

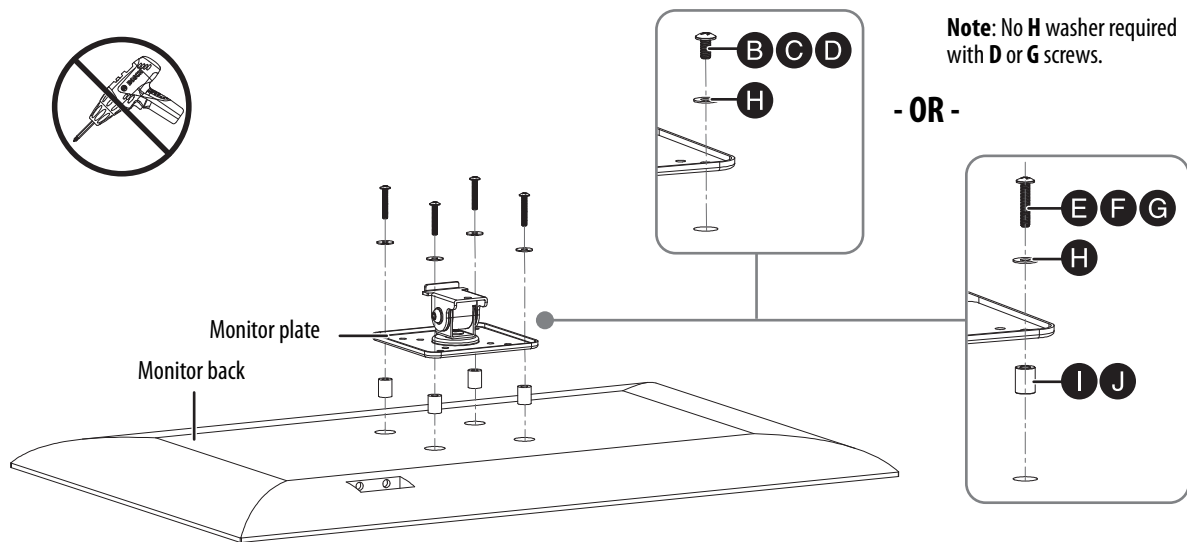
- Extra care should be taken when you fasten the monitor plates to the backs of your monitors. Make sure you use the appropriate mounting hardware properly to avoid damage to your monitors or the mount.
- Choose the proper screw/washer/spacer combination that accommodates your particular monitors.
- Carefully lay your monitor on its face on a flat, padded surface, so that you do not damage the screen.
- Make sure that the monitor mount is centered on the back of the monitor.
- This product is not suitable for installation on vertical walls.

Notes:

- Monitors can be oriented either horizontally or vertically.
- The M8 x 2.5 mm spacer (J) can be used with M6 screws (D and G) by removing the inner circle.

Depending on the VESA screw holes on the back of your monitor, you need to use the correct sized mounting screws (B, C, D, E, F, or G), washers (H), and the correct spacers (I or J).

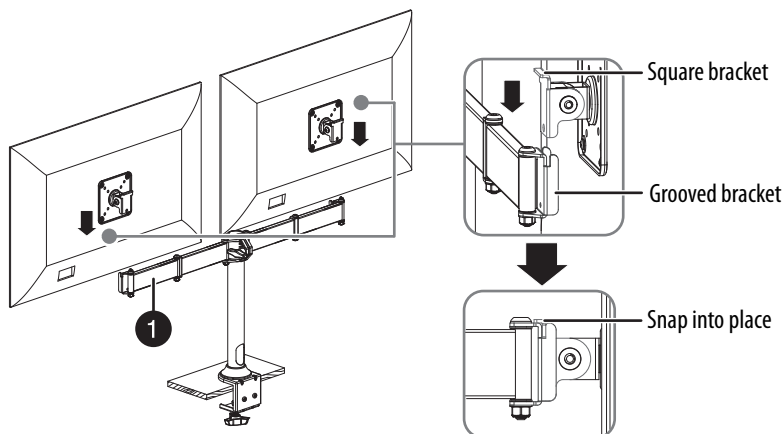
- 1 Determine which mounting screws you need (B, C, D, E, F, or G) by hand-threading a screw into a VESA screw hole. Do not force the screw to fit, but make sure that enough threads engage to support your monitor.
- 2 Align the mounting holes on the monitor with the holes on the monitor plate, then attach the monitor to the monitor plate using four screws (B, C, D, E, F, or G) with washers (H) and spacers if necessary. Tighten the screws firmly with a Phillips screwdriver, but do not overtighten.



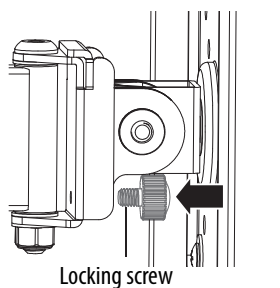
STEP 7: Attaching the monitor/monitor plate assembly to the monitor connecting arm

CAUTION: Make sure that the locking screws are installed and tightened to avoid accidents.

- 1 Insert the small square brackets on the backs of the monitor plates into the grooved brackets on the monitor connecting arm (01) until they snap into place. Make sure that they are positioned correctly.

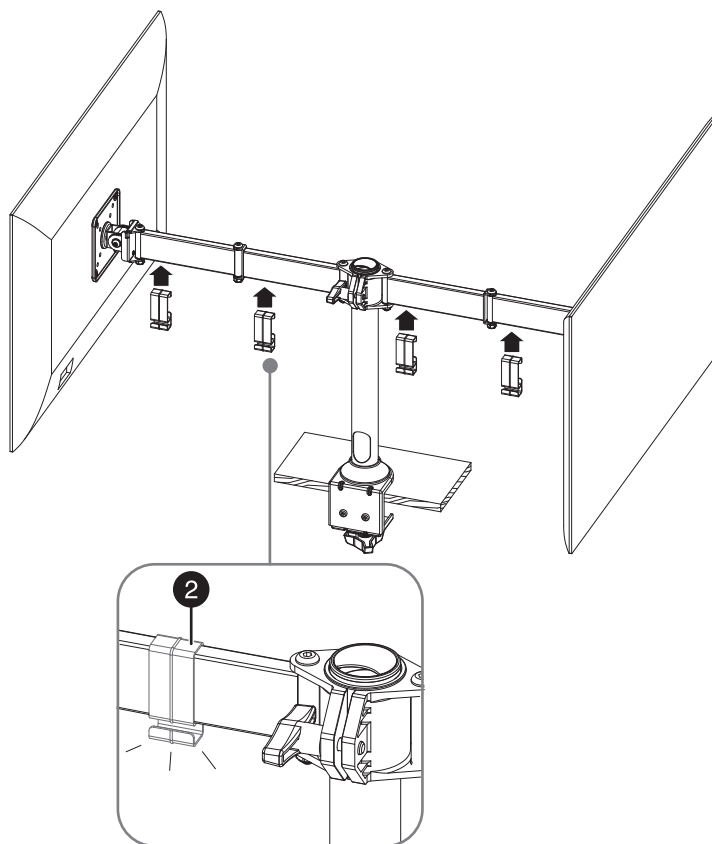


- 2 Reinstall the locking screw (clockwise) that you removed in Step 5, and tighten it securely.

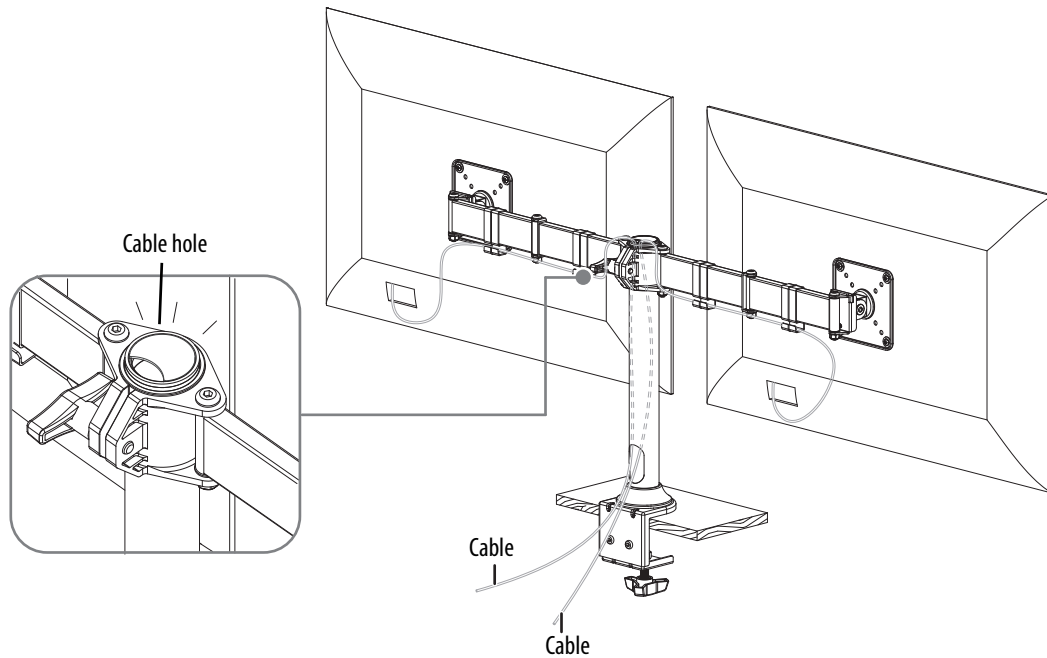


STEP 8: Installing the cable clips and managing cables

- 1 Install the cable clips (02) on the monitor connecting arm (01).



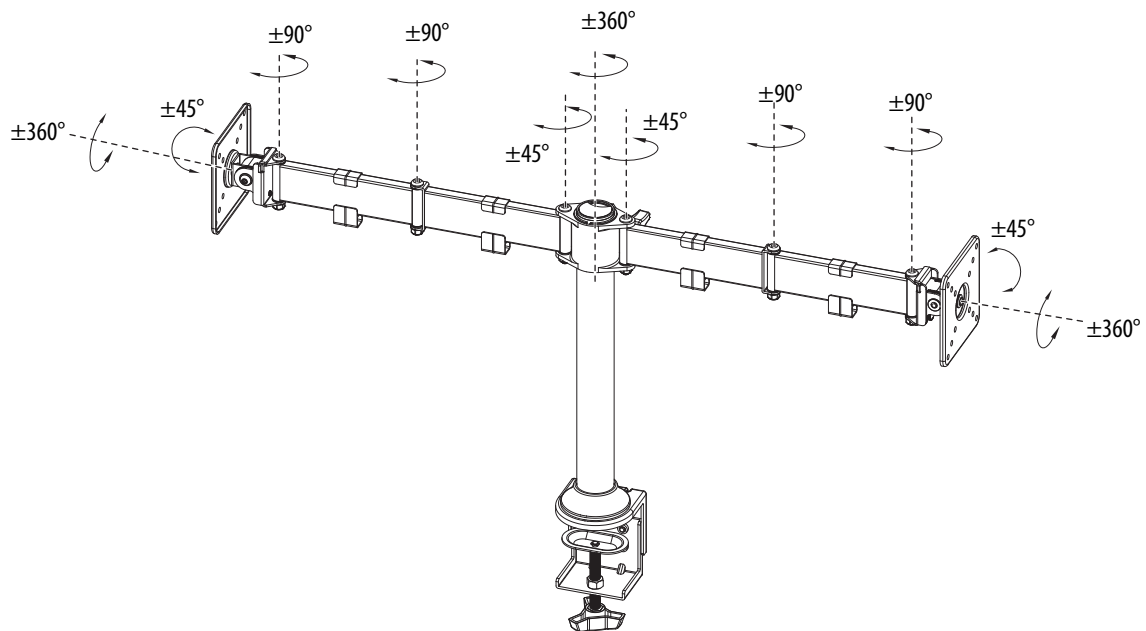
- 2 Run monitor video and power cables up through the monitor support base (03), then align the cables on the back side of the monitor arm and secure them in place with the cable clips (02).



STEP 9: Adjusting the monitor

To avoid eye strain:

- Position your monitor about an arm's length from your eyes.
- Position your monitor so there is no glare on the screen from windows or light sources.
- Tilt the screen up slightly.
- If you cannot read the on-screen text when your monitor is positioned correctly, you should increase the text size instead of moving your monitor closer or moving closer to your monitor.



Specifications

Dimensions HxWxD	21.26-24.41 x 36.85 x 5.39 in. (54-62 x 93.6 x13.7 cm)
Weight	9.5 lbs. (4.3 kg)
Monitor size - landscape	Compatible up to 32 inch
Monitor size - portrait	Compatible up to 28 inch
Max load capacity	26 lbs. (11.79 kg) for each monitor plate
Monitor support arm height range	21.25~24.4 in. (54~62 cm)
Monitor orientation	Horizontal or vertical
Tilt angle	+/- 45°
Integrated cable management	Yes

ONE-YEAR LIMITED WARRANTY

Best Buy, or its Authorized Partner of Insignia branded products, warrants to you, the original purchaser of this new Insignia branded product ("Product"), that the Product shall be free of defects in the original manufacture of the material or workmanship for a period of one (1) year from the date of your purchase of the Product or the date of delivery (if later than the date of purchase) ("Warranty Period").

For this warranty to apply, your Product must be (i) purchased in the United States or Canada from a Best Buy branded retail store, online at www.bestbuy.com or www.bestbuy.ca, or from Best Buy's Authorized Partner, and (ii) packaged or sold with this warranty statement.

The term "Best Buy", as used in this warranty, refers to Best Buy branded retail stores, www.bestbuy.com, www.bestbuy.ca, and Best Buy's Authorized Partner.

Because Insignia cannot control the quality of products sold by unauthorized sellers, this warranty applies only to Products that were purchased from Best Buy or an Insignia Authorized Partner, unless otherwise prohibited by law. Insignia reserves the right to reject warranty claims for Products purchased from unauthorized sellers, including unauthorized websites.

REPAIR OR REPLACEMENT, AS PROVIDED UNDER THIS WARRANTY, IS YOUR EXCLUSIVE REMEDY FOR BREACH OF WARRANTY. INSIGNIA SHALL NOT BE LIABLE FOR ANY INCIDENTAL OR CONSEQUENTIAL DAMAGES FOR THE BREACH OF ANY EXPRESSED OR IMPLIED WARRANTY ON THIS PRODUCT, INCLUDING, BUT NOT LIMITED TO, LOST DATA, LOSS OF USE OF YOUR PRODUCT, LOST BUSINESS, OR LOST PROFITS. INSIGNIA PRODUCTS MAKES NO OTHER EXPRESS WARRANTIES WITH RESPECT TO THE PRODUCT. ALL EXPRESSED AND IMPLIED WARRANTIES FOR THE PRODUCT, INCLUDING BUT NOT LIMITED TO ANY IMPLIED WARRANTIES OF AND CONDITIONS OF MERCHANTABILITY AND FITNESS FOR A PARTICULAR PURPOSE, ARE LIMITED IN DURATION TO THE WARRANTY PERIOD SET FORTH ABOVE AND NO WARRANTIES, WHETHER EXPRESSED OR IMPLIED, WILL APPLY AFTER THE WARRANTY PERIOD. SOME STATES, PROVINCES, AND JURISDICTIONS DO NOT ALLOW LIMITATIONS ON (i) HOW LONG AN IMPLIED WARRANTY LASTS, (ii) EXCLUSION OR LIMITATION OF INCIDENTAL OR CONSEQUENTIAL DAMAGES, or (iii) LIMITATION OF INCIDENTAL OR CONSEQUENTIAL DAMAGES, SO THE ABOVE LIMITATIONS OR EXCLUSIONS MAY NOT APPLY TO YOU. THIS WARRANTY GIVES YOU SPECIFIC LEGAL RIGHTS, AND YOU MAY ALSO HAVE OTHER RIGHTS, WHICH VARY FROM STATE TO STATE OR PROVINCE TO PROVINCE.

How long does the coverage last?

The Warranty Period lasts for 1 year (365 days) from the date you purchased the Product or the date of delivery (if later than the date of purchase). Your purchase date is printed on the receipt you received with the Product. In the event that Authorized Partner ceases to sell the covered Insignia branded product, this warranty shall terminate for that product and there shall be no repair or replacement of the Product.

What does this warranty cover?

During the Warranty Period, if the original manufacture of the material or workmanship of the Product is determined to be defective by an authorized Insignia repair center or store personnel, Insignia will (at its sole option): (1) repair the Product with new or rebuilt parts; or (2) replace the Product at no charge with new or rebuilt comparable products or parts. Products and parts replaced under this warranty become the property of Insignia and are not returned to you. If service of Products or parts are required after the Warranty Period expires, you must pay all labor and parts charges. This warranty lasts as long as you own your Insignia Product during the Warranty Period. Warranty coverage terminates if you sell or otherwise transfer the Product.

How to obtain warranty service?

If you purchased the Product at a Best Buy retail store location or from a Best Buy online website (www.bestbuy.com or www.bestbuy.ca), please take your original receipt and the Product to any Best Buy store. Make sure that you place the Product in its original packaging or packaging that provides the same amount of protection as the original packaging. If you purchased your Product from an Authorized Partner, call Insignia at 1-877-467-4289.

To obtain warranty service, in the United States and Canada call 1-877-467-4289. Call agents may diagnose and correct the issue over the phone.

If you purchased the Product from an Authorized Partner other than Best Buy, please call 1-888-BESTBUY in the United States or 1-866-BESTBUY in Canada. You will be asked to provide proof of purchase and to return your Product to Best Buy. Make sure that you put the Product in its original packaging or packaging that provides the same amount of protection as the original packaging.

Where is the warranty valid?

This warranty is valid only in the United States and Canada to the original purchaser of the product from an Authorized Partner, in the country where the original purchase was made.

What does the warranty not cover?

This warranty does not cover:

- Food, beverage, and or medicine loss/spoilage.
- Damage to other products caused by a power surge or other similar issue while connected to the Product.
- Customer instruction/education.
- Installation.
- Set up adjustments.
- Cosmetic damage.
- Damage due to weather, lightning, and other acts of God, such as power surges.
- Accidental damage.
- Misuse.
- Abuse.
- Negligence.
- Commercial purposes/use, including but not limited to use in a place of business or in communal areas of a multiple dwelling condominium or apartment complex, or otherwise used in a place of other than a private home.
- Modification of any part of the Product, including the antenna.
- Display panel damaged by static (non-moving) images applied for lengthy periods (burn-in).
- Damage due to incorrect operation or maintenance.
- Connection to an incorrect voltage or power supply.
- Damage due to attempted repair by any person not authorized by Insignia to service the Product.
- Products sold "as is" or "with all faults".
- Consumables, including but not limited to batteries (i.e. AA, AAA, C etc.).
- Products where the factory applied serial number has been altered or removed.
- Loss or Theft of this product or any part of the product.
- Display panels containing up to three (3) pixel failures (dots that are dark or incorrectly illuminated) grouped in an area smaller than one tenth (1/10) of the display size or up to five (5) pixel failures throughout the display. (Pixel based displays may contain a limited number of pixels that may not function normally.).
- Failures or Damage caused by any contact including but not limited to liquids, gels or pastes.

Contact Insignia:
1-877-467-4289

www.insigniaproducts.com

INSIGNIA is a trademark of Best Buy and its affiliated companies.

*Distributed by Best Buy Purchasing, LLC

7601 Penn Ave South, Richfield, MN 55423 U.S.A

©2025 Best Buy. All rights reserved.

INSIGNIA™

For product inquiries, please contact us with the information below:

1-877-467-4289

www.insigniaproducts.com

INSIGNIA is a trademark of Best Buy and its affiliated companies.

Distributed by Best Buy Purchasing, LLC

7601 Penn Ave South, Richfield, MN 55423 U.S.A.

©2025 Best Buy. All rights reserved.

V1 ENGLISH
24-0544