

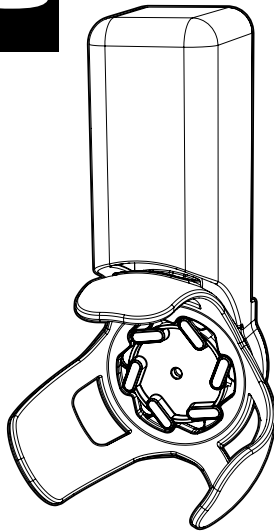
# SANUS

## WSEDH1

Outlet Hanger  
for Amazon Echo Dot (4th Gen)

### INSTRUCTION MANUAL

ES FR DE NL SV RU ZH JA



For use only with UL/CUL/CN Listed receptacles (round or rectangular faces) installed in UL/CUL/CN Listed single gang receptacle outlet boxes mounted in minimum 1/2" thick gypsum wall board.

If you do not understand these instructions or have doubts about the safety of the installation, assembly or use of this product, contact Customer Service at 1-800-359-5520.



**We're here to help!**



Our install experts are standing by to help.



**Call us at:**

**US: 1-800-359-5520 • UK: 0800 056 2853**

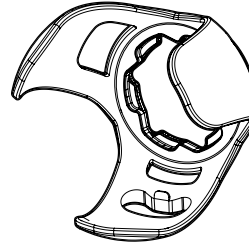
**EMEA: +31 (0) 495 580 852**

**www.SANUS.com**

00382633-00

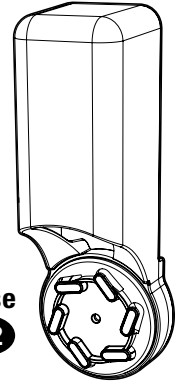
### Supplied Parts

Speaker Holder **01**

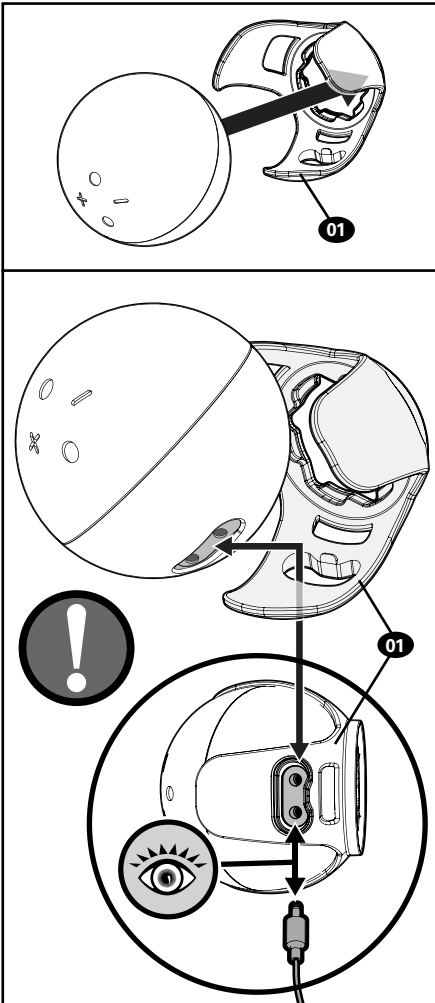


Base

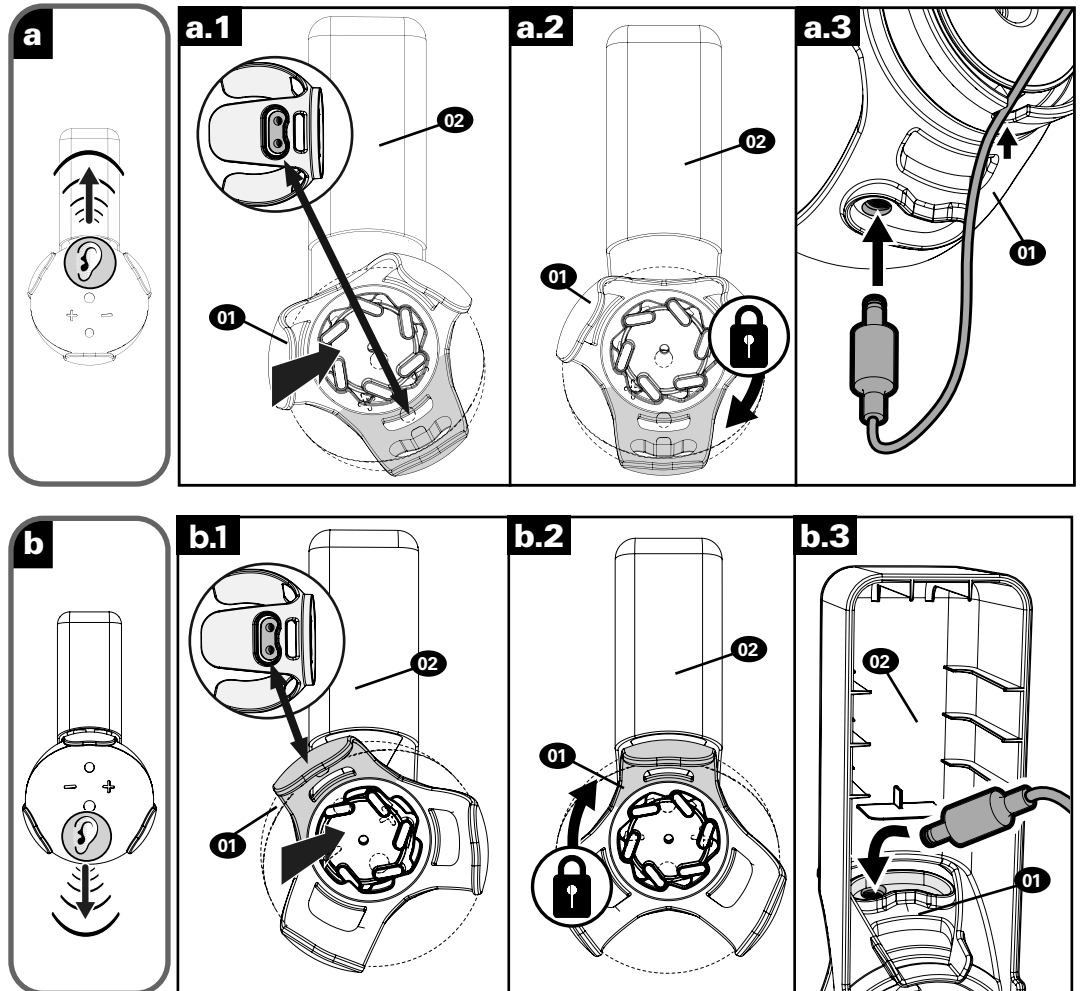
**02**



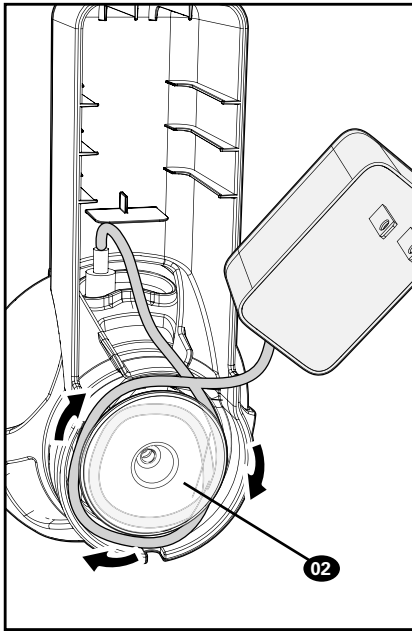
### 1 INSTALL SPEAKER



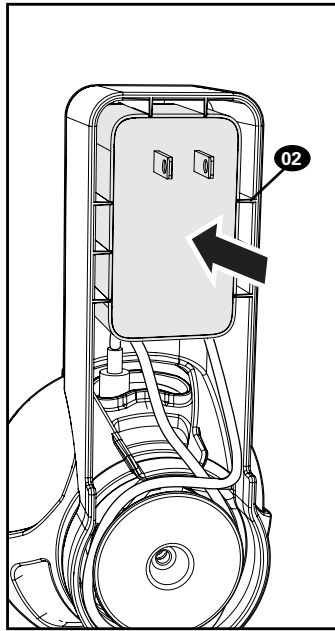
### 2 ATTACH TO BASE



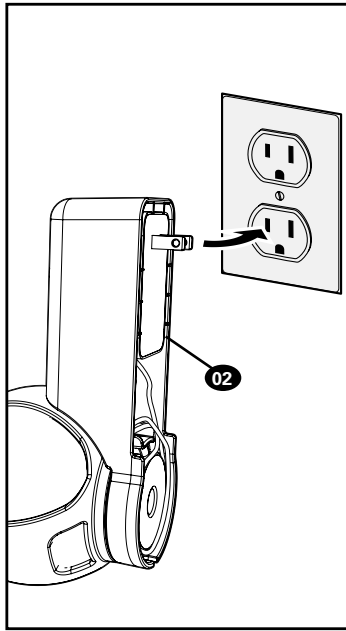
### 3 WRAP THE CORD



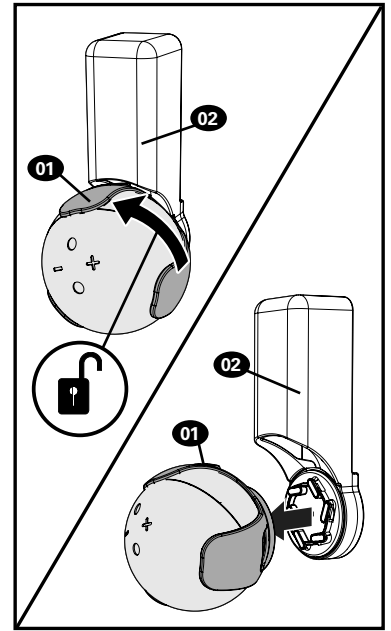
### 4 SECURE PLUG



### 5 POWER UP



### TO REMOVE



**ES**

¿QUÉ HAY EN LA CAJA?

- 1 INSTALAR EL ALTAVOZ
- 2 COLOQUE EN EL SOPORTE
- 3 JALAR LOS CABLES
- 4 INSERTAR
- 5 ENCHUFAR EL CABLE DE ALIMENTACIÓN

PARA RETIRAR

**FR**

PIÈCES FOURNIES

- 1 FIXEZ LE HAUT-PARLEUR
- 2 INSTALLEZ DANS LE SUPPORT
- 3 TIREZ LES CÂBLES
- 4 INSÉREZ
- 5 BRANCHEMENT DU CORDON D'ALIMENTATION

POUR RETIRER

**DE**

LIEFERUMFANG

- 1 MONTIEREN DES LAUTSPRECHERS
- 2 SETZEN IN DIE HALTERUNG EIN
- 3 ZIEHEN DER KABEL
- 4 EINSETZEN
- 5 ANSCHLIESSEN DES NETZKABELS

ENTFERNEN

**NL**

WAT ZIT ER IN DE VERPAKKING?

- 1 BEVESTIG LUIDSPREKER
- 2 PLAATS IN DE MONTAGE
- 3 TREK DE KABELS DOOR
- 4 INVOEGEN
- 5 VOEDINGSKABEL AANSLUITEN

OM TE VERWIJDEREN

**SV**

VAD FINNS I LÅDAN?

- 1 MONTERA HÖGTALARE
- 2 SÖTT FAST I FÖSTET
- 3 DRA LEDNINGAR
- 4 ANSLUT
- 5 ANSLUTA ELSLADD

TA BORT

**RU**

КОМПЛЕКТ ПОСТАВКИ

- 1 Прикрепите колонку
- 2 Вставьте на крепление
- 3 Протяните провода
- 4 ВСТАВЬТЕ
- 5 Подключение шнура питания

СНЯТИЕ

**ZH**

包装箱中的内容

- 1 安装扬声器
- 2 安装 到支架上
- 3 调整电缆
- 4 插入
- 5 插入电源线

取り外すには

**JA**

同梱品

- 1 スピーカーを取り付ける
- 2 取り付け
- 3 ケーブルを調整する
- 4 インサート
- 5 電源コードを接続する

を外して

**Legrand AV Inc.**  
6436 City West Parkway; Eden Prairie, MN 55344, USA

**Legrand AV Netherlands B.V.**  
Franklinstraat 14 6003 DK Weert, Netherlands

**US:** ☎ 1-800-359-5520

**EMEA:** ☎ +31 (0) 495 580 852

**UK:** ☎ 0800-056-2853

✉ info@sanus.com

💻 SANUS.com

Legrand AV Inc. and its affiliated corporations and subsidiaries (collectively, "Legrand"), intend to make this manual accurate and complete. However, Legrand makes no claim that the information contained herein covers all details, conditions, or variations. Nor does it provide for every possible contingency in connection with the installation or use of this product. The information contained in this document is subject to change without notice or obligation of any kind. Legrand makes no representation of warranty, expressed or implied, regarding the information contained herein. Legrand assumes no responsibility for accuracy, completeness or sufficiency of the information contained in this document.

©2020 Legrand AV Inc. All Rights Reserved. SANUS is a Legrand AV Inc. brand and a registered trademark owned by Legrand.

All other brand names or marks are used for identification purposes and are trademarks of their respective owners.

Legrand AV Inc. • 6436 City West Parkway • Eden Prairie, MN 55344 USA

6901-602683 00