

PACKAGE CONTENTS

- Universal adapter set (4 plugs)
- *Quick Setup Guide*

FEATURES

- 4-in-1 travel plug set for more than 100 countries
- 4 plug types and a universal socket
- Connect the plugs together for easy storage
- Universal socket features a safety shutter to prevent electrical shocks



Before using your new product, please read these instructions to prevent any damage.

MAKING SURE YOUR DEVICE IS COMPATIBLE




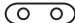




- 1 Determine the voltage of the power outlet you want to use. See the table on the previous page for common voltages.
- 2 Check the voltage of the device you want to connect to the power outlet. You can find the voltage information on your device, on its power adapter, or in its manual.
- 3 Compare the power outlet voltage to your device's voltage.

Notes:

- The voltage of some devices will be a range (for example, a 120-240V device and a 240V power outlet).
- If your device has a dual voltage switch, slide it to the correct voltage.

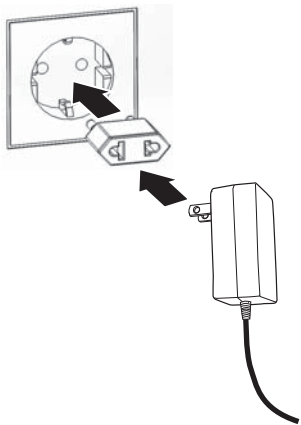
The power outlet voltage is:	The adapter is:
<ul style="list-style-type: none"> • The same as your device's voltage • In the range of your device's voltage • 100V and your device is 120V 	Compatible with your device.
<ul style="list-style-type: none"> • Greater than your device's voltage • Less than your device's voltage* 	NOT compatible. You must purchase a converter to power your device.

*Note: If the power outlet is 100V and your device is 120V, you may use the adapter.

PLUG TYPES	OUTLET TYPES	LOCATION	VOLTAGE
	 Flat parallel blades	Parts of North America, Caribbean, and Japan	120V
		Parts of South America, Japan, and China	240V
	 Round pin	Parts of Middle East, Africa, Asia, South America	120V
	 Round pin	Europe, parts of Middle East, Africa, Asia, South America	240V
	 3-prong blades	Great Britain, Ireland, parts of Africa, Hong Kong, Singapore	240V

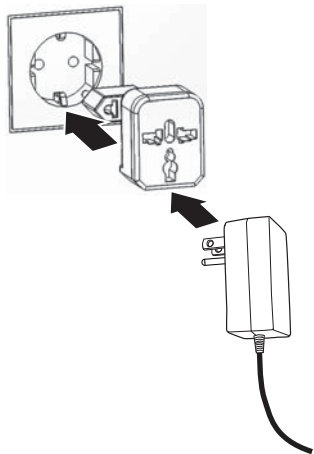
USING YOUR ADAPTER

- 1 Make sure your device is compatible before use. Incorrect use could damage your device.
- 2 Find the power outlet you want to connect your device to in the table on the previous page, then select the appropriate plug.
- 3 Connect the adapter to your device, then to a power outlet.



OR

If your device has a ground (a third pin or prong) and you need to connect it to an adapter that only accepts two pins or prongs, connect your device to the larger plug with round pins, then connect the smaller plug that fits the outlet into the larger plug.



STORING YOUR ADAPTER

- Plug the adapters into one another and use the supplied clip to hold the two smaller adapters together.



SAFETY INSTRUCTIONS

- You cannot change the voltage of this adapter.
- Only use this adapter indoors.
- Keep the adapter out of the reach of children.
- Do not use the adapter in a humid location.

ONE-YEAR LIMITED WARRANTY

Visit www.insigniaproducts.com for details.

CONTACT INSIGNIA:

For customer service, call 1-877-467-4289 (U.S. and Canada) or 01-800-926-3000 (Mexico)

www.insigniaproducts.com

INSIGNIA is a trademark of Best Buy and its affiliated companies.

Registered in some countries.

Distributed by Best Buy Purchasing, LLC

7601 Penn Ave South, Richfield, MN 55423 U.S.A.

©2014 Best Buy. All rights reserved.

Made in China