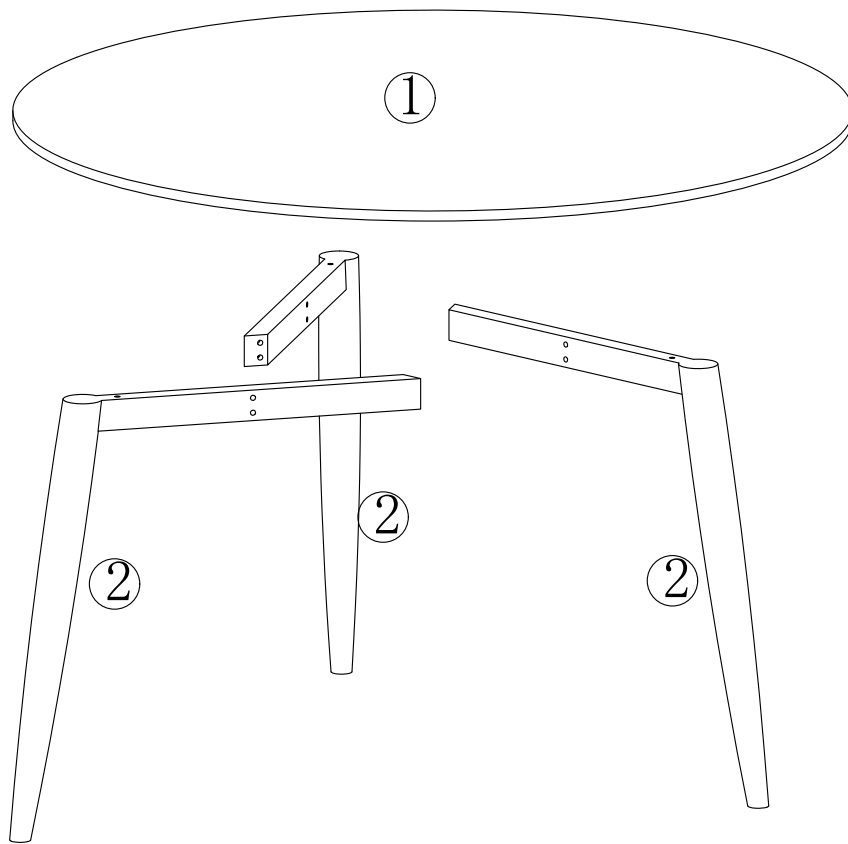


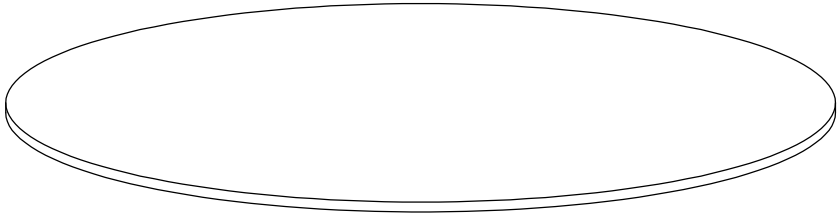
RT244BH Assembly Instructions



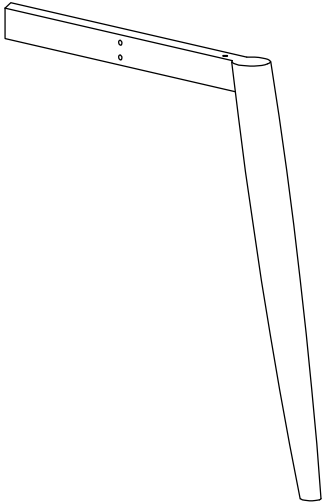
NOTE: Don't fully tighten the screws until the very end. Once you have fully assembled the cart, then proceed to completely tighten all the screws.



Parts & Hardware List

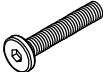
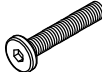



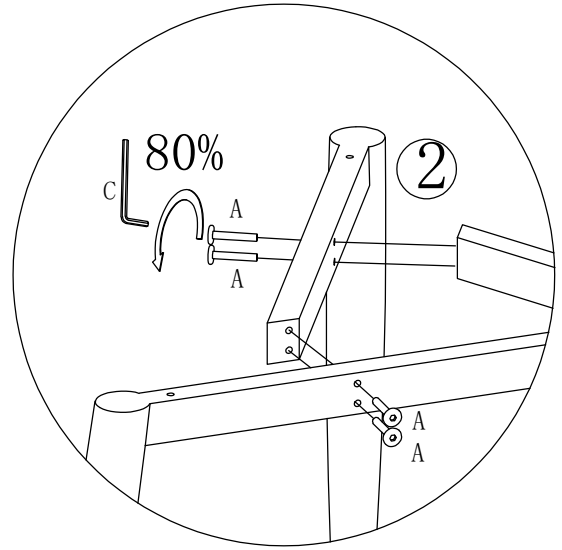
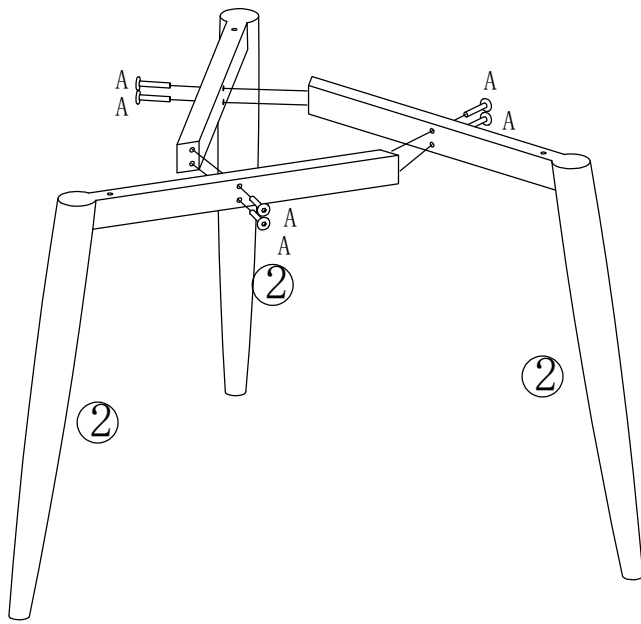
① 1PC

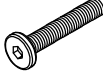



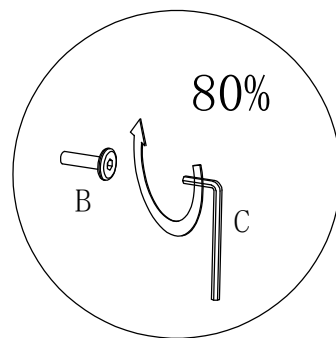
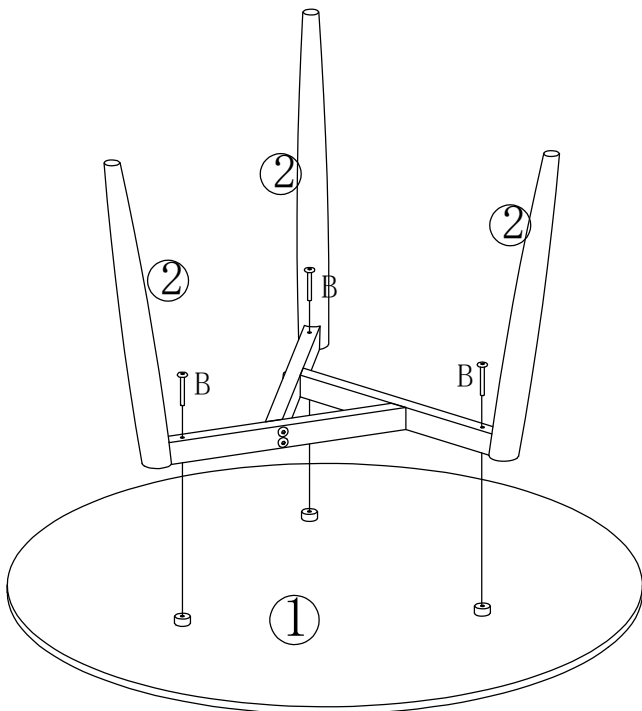
② 3PCS

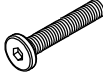

Hardware List

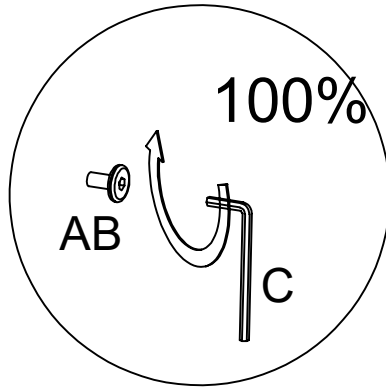
A M6x25mm  6PCS	B M6x35mm  3PCS	C 4mm  1PC
---	---	--



<p>A M6x25mm</p>  <p>6PCS</p>	<p>C 4mm</p>  <p>1PC</p>
--	---



<p>B M6x35mm</p>  <p>3PCS</p>	<p>C 4mm</p>  <p>1PC</p>
--	---



*ALL screws tighten fully.100%

