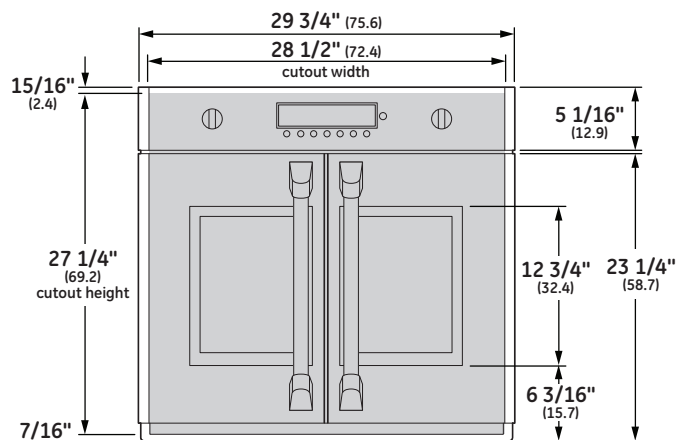
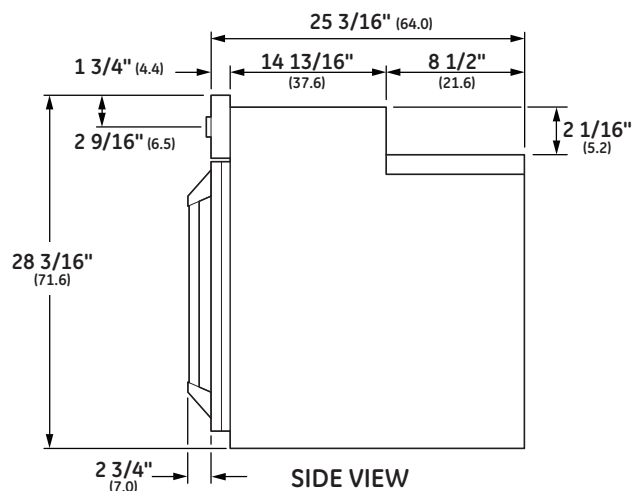




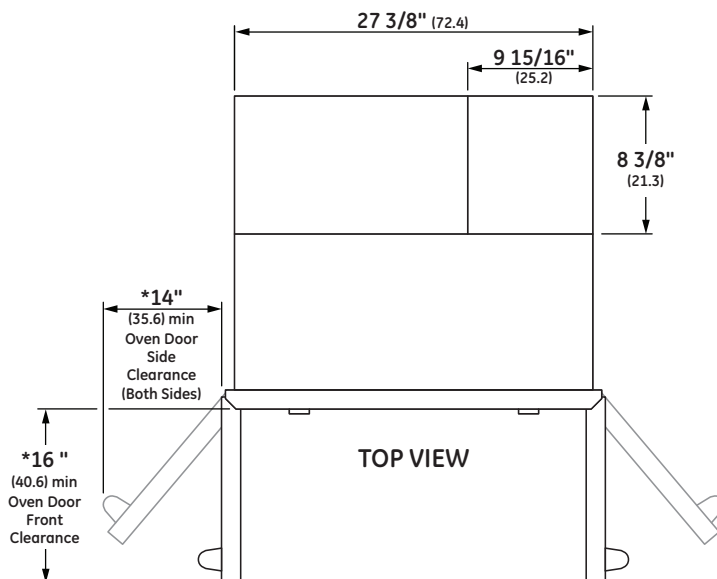
OVERALL DIMENSIONS



FRONT VIEW (SHOWING CUTOUT OVERLAP)



SIDE VIEW



TOP VIEW

Dimensions in parentheses are in centimeters unless otherwise noted. Actual product dimensions may vary due to manufacturing tolerances.

SPECIFICATIONS

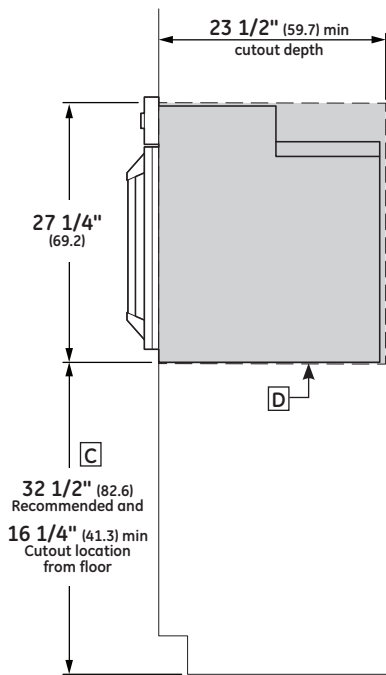
Overall Width	29 3/4" (75.6 cm)
Overall Height	28 5/16" (71.9 cm)
Overall Depth Including Handle	27 15/16" (71.0 cm)
Oven Door Clearance	16" (40.6 cm)
Overall Oven Interior Capacity	5.0 cu. ft. (141.6 l)
Oven Interior Dimensions (W x H x D)	25" x 17 3/8" x 20 1/4" (63.5 cm x 44.1 cm x 51.4 cm)
Minimum Cabinet Width*	30" (76.2 cm)
Minimum Cabinet Depth*	24" (61.0 cm)
Minimum Base Support	200 lbs (90 kg)
Cutout Width*	28 1/2" (72.4 cm) Min 28 5/8" (72.7 cm) Max
Cutout Height*	27 1/4" (69.2 cm) Min 27 5/16" (69.4 cm) Max
Cutout Depth*	23 1/2" (59.7 cm) Min
Volts/Hertz/Amps	240/208 V AC, 60 Hz, 20A
Conduit Length	40", 72" available special order: WB18T10398
Electrical Rating	3.4 kW at 208V 4.5 kW at 240V
Shipping Weight	208 lbs (95 kg)

ATTENTION ELECTRICIAN:

A 240/208V, 60Hz, 20 Amp circuit is required. An individual properly grounded branch circuit or circuit breaker is required. Hard wired junction box is required for built-in product.

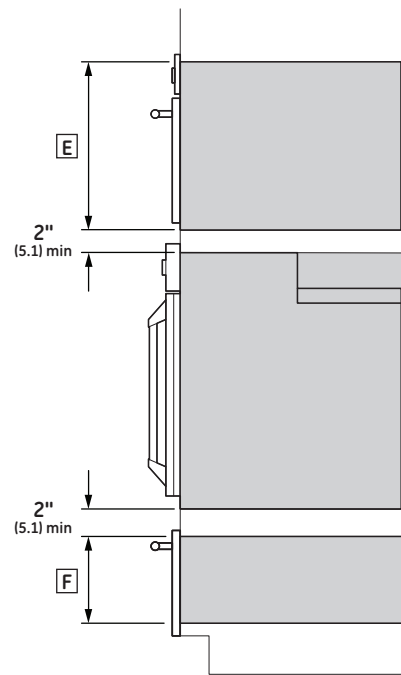


WALL INSTALLATION



STANDARD
INSTALLATION

INSTALLATION WITH ADVANTIUM
AND WARMING DRAWER

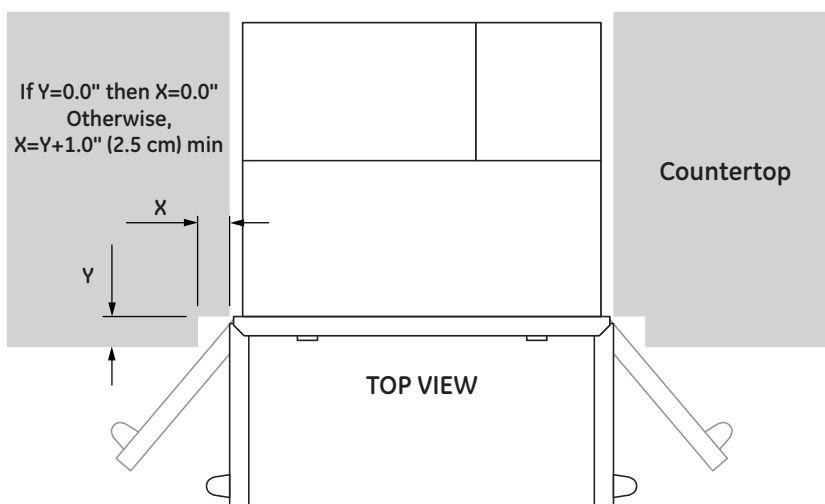


STANDARD INSTALLATION
SIDE VIEW

NOTES

- A** This model is not approved for installation below a countertop or in combination with a separate cooktop. The minimum installation height from the floor is 16 1/4".
- B** This model is not approved for flush-mount installation.
- C** Based on user height of 5'6" to 5'10"
- D** Platform must be able to support 200 lbs. (90 kg)
- E** Dimensions per Advantium or Microwave Oven requirements.
- F** Dimensions per Warming Drawer requirements.

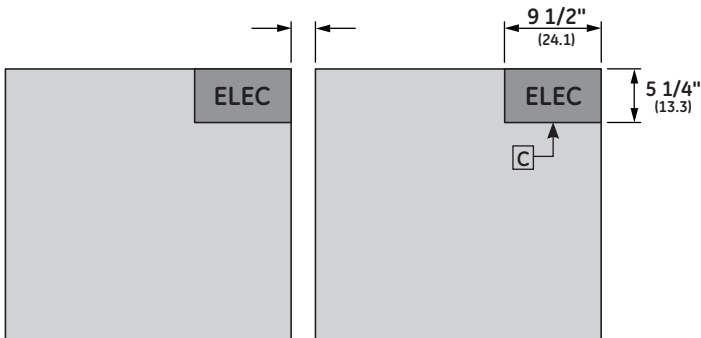
INSTALLATION TO ADJACENT COUNTERTOP



For more details, refer to the installation instructions for this product on Monogram.com. Dimensions in parentheses are in centimeters unless otherwise noted.

SIDE BY SIDE INSTALLATION

If both ovens are French Door models, then 30" (76.2) min.
 If the second oven is a drop down door model, then 14" (35.6) min.



SIDE BY SIDE INSTALLATION
 FRONT VIEW OF CUTOUTS

NOTES

- A** This model is not approved for installation below a countertop or in combination with a separate cooktop. The minimum installation height from the floor is 16 1/4".
- B** This model is not approved for flush-mount installation.
- C** Junction box location (may also be located in adjacent cabinet.)

For more details, refer to the installation instructions for this product on Monogram.com. Dimensions in parentheses are in centimeters unless otherwise noted.

FEATURES AND BENEFITS

French Door Design – Inspired by commercial kitchen designs, the precision engineered chain-drive mechanism allows for one-handed opening of both oven doors at the same time

Electronic Controls – The bright LCD display and illuminated control knobs are as elegant as they are ergonomic

WiFi Connect – Wirelessly control certain oven functions from your smartphone

Theater-Style LED Light Columns – On the oven walls provide brilliant task lighting for each rack position without shining in your eyes

Self-Clean with Optional Steam Clean – Clean your oven the way that you want

Exclusive Self-Clean, Full-Extension Oven racks – Glide in and out smoothly on stainless steel ball bearings, and are designed to be left in the oven during the self-clean cycle

5.0 Cu. Ft. Capacity – Easily accommodates even the largest meals

True European Convection with Direct Air – Bakes evenly as warm air blows from the top in and around bakeware, providing even cooking and multi-rack baking capability

10-Pass Hidden Bake Element – Assures even baking, while maximizing interior capacity and allowing easy cleaning

Hand-Finished Edges – Reflect the meticulous quality and craftsmanship for which Monogram products are renowned



70 to 90% U.S. content. Product content details at GEAppliances.com/USA

