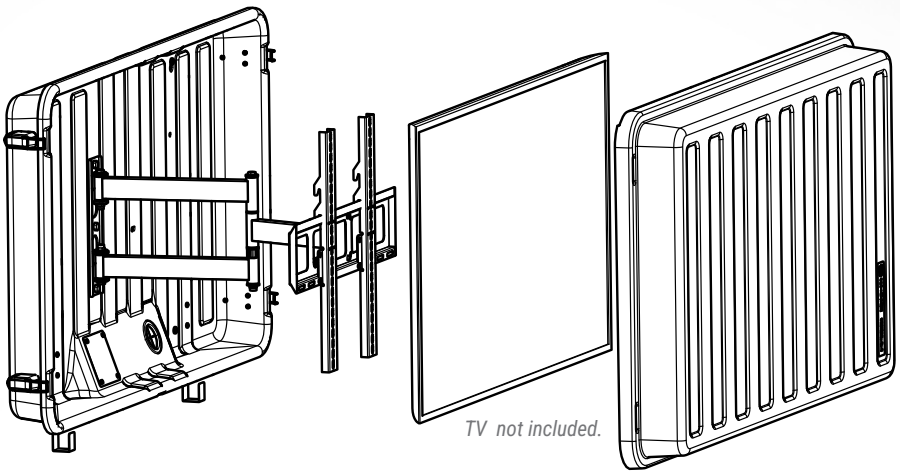




# STORM SHELL

## TV protection | 44"

### Assembly & installation instructions



SS-44 | A-44

Compatible with 44" TVs

V3.4

# Table of contents:

Safety guidelines.....	page 3
Getting started .....	page 4
Supplied parts & hardware .....	page 7
Assembly and installation.....	page 10



# Safety guidelines

Please read and understand this entire manual before attempting to assemble or operate the product. If the directions are not followed personal injury or property damage may occur.

Keep these installation instructions in an easily accessible location for future reference.

## CAUTION

- The maximum TV load capacity is 75 lbs. Exceeding the maximum load capacity may cause serious injury.
- The wall structure must be capable of supporting at least five times the maximum load capacity. If not, the wall must be reinforced.
- DO NOT mount on drywall or plywood alone.
- DO NOT install on a structure prone to vibration, movement, or impact. Failure to follow this guideline may result in damage to the display or mounting surface.
- DO NOT install the Storm Shell Enclosure near a heater, fireplace, air conditioning unit, or any other heat-producing source. Failure to follow this instruction may cause damage to the display and/or hard cover and could increase the risk of fire.
- Proper assembly, as outlined in the installation instructions, must be performed by yourself or a qualified service technician. Failure to comply may result in serious personal injury.
- It is advised that two people perform the installation. Dropping or mishandling the display or hard cover may result in injury and/or damage.
- Make sure no water or natural gas lines are present where the mount is to be installed. Cutting or drilling into water or natural gas lines could cause personal injury or property damage.
- If you do not understand these installation instructions, please consult a professional installation specialist.



## WARNING:

This kit contains small parts which can act as a choking hazard if swallowed.

# Getting started

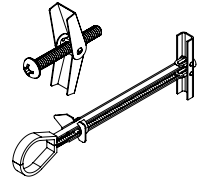
## MAKE SURE THIS STORM SHELL WILL WORK FOR YOU!

### Included hardware supports installation on:

- Drywall over wood studs
- Solid concrete, structural brick, or masonry (minimum 8 inch thick)
- Outdoor siding (aluminum, vinyl, stucco, brick veneer, etc.) installed over wood studs.

### For the following materials, use toggle bolts (1/4" or 5/16") available at your local hardware store:

- Drywall over metal studs
- C90 hollow concrete block
- Structural brick or masonry (less than 8 inch thick)



## DO YOU NEED AN ADAPTER PLATE?

Concrete wall or hollow wall (non-drywall)

✗  
NO

Wood studs with spacing  $\neq$  16 inches

✓  
YES

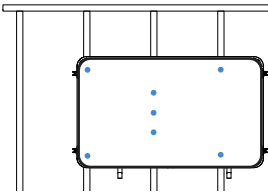
Storm Shell aligns with wood studs with 16-inch spacing

✗  
NO

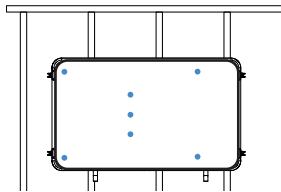
Storm Shell is offset with wood studs with 16-inch spacing

✓  
YES

*Mounting holes align with studs*



*Mounting holes are offset from studs*



Order the adapter mounting plate at [www.stormshelltv.com/accessories](http://www.stormshelltv.com/accessories)

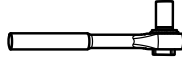
## ASSEMBLY TOOLS (NOT INCLUDED)

### All installations

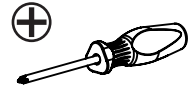
---



Measuring tape



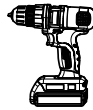
Socket wrench



Phillips screwdriver



Level



Power drill



Pencil or pen

### Wood stud installation

---



Wood drill bits:  
5/32" (4mm) &  
1/4" (7mm)



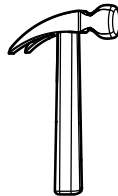
Stud finder

### Solid concrete, brick, & masonry installation

---



Crescent wrench



Hammer



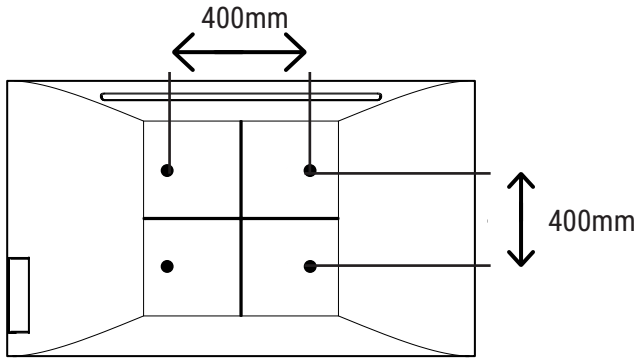
Hammer drill



Masonry drill bits:  
5/32" (4mm) &  
5/16" (8mm)

# VESA PATTERN

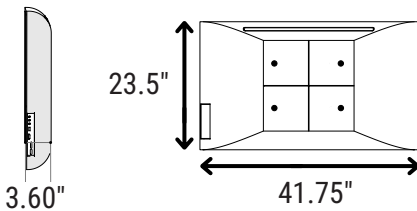
Width	400mm (15.75 in) max
Height	400mm (15.75 in) max
Compatible VESA patterns	Will fit 100 mm, 200mm, 300mm, and 400mm VESA patterns



# TV COMPATIBILITY

MAX TV dimensions (including frame bezel):

41.75"Lx 23.5"H x 3.60"D



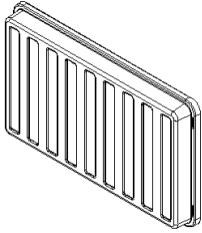
# WEIGHT CAPACITY

Maximum TV weight (including accessories): 75 LBS max

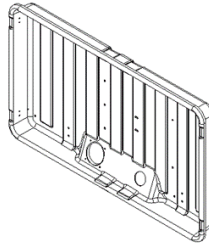
# Parts & hardware

TV not included.

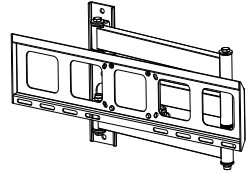
*Note: If you are missing any parts, contact us at [cs@stormshelltv.com](mailto:cs@stormshelltv.com).*



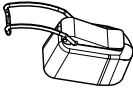
Storm Shell front  
Qty. 1



Storm Shell back  
Qty.1



TV bracket  
Qty.1



Buckle latch  
Qty.4



Cover storage hook  
Qty.2



Vertical bracket  
Qty.2

*Note: Comes attached to the TV bracket*



Padlock & keys  
Qty.1

# STORM SHELL ASSEMBLY HARDWARE

A4



ST3.5x20mm  
Qty. 12

B4



M4x8mm  
Qty. 4

C4



ST6x30mm  
Qty. 4

D4



D6 Washer  
Qty. 2

E4



ST8x60mm  
Qty. 3

F4



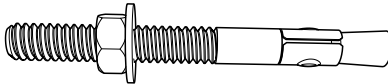
ST8x90mm  
Qty. 3

G4



D8 Washer  
Qty. 3

J4



Concrete sleeve anchor  
Qty. 2

# PACK #2 TV MOUNTING BRACKET HARDWARE



M4x12mm  
Qty. 4



M4x30mm  
Qty. 4



M6x12mm  
Qty. 8



M6x30mm  
Qty. 4



M8x25mm  
Qty. 4



M8x45mm  
Qty. 4



D4 Washer  
Qty. 4



D6 Washer  
Qty. 4



5mm Spacer  
Qty. 4



10mm Spacer  
Qty. 4

# Assembly & installation

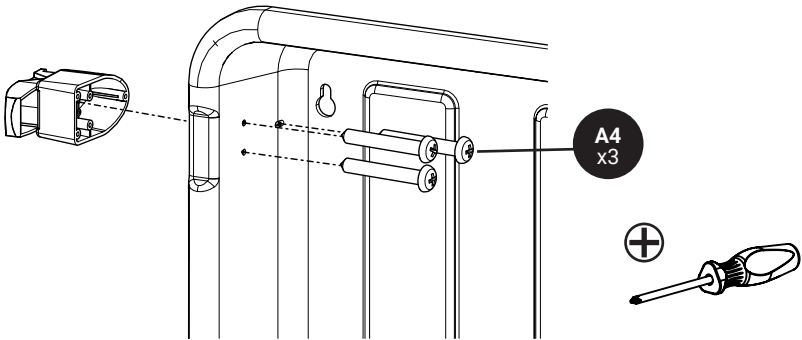
Follow each step as instructed to avoid any unwanted obstacles. Work in a spacious area near where the item will be used. Check your item list to make sure all parts and hardware are included before you begin the assembly process.

If you need any assistance with your new item, please don't hesitate to call or email us. We're happy to guide you through the assembly process.

## STEP 1: PREPARE THE STORM SHELL

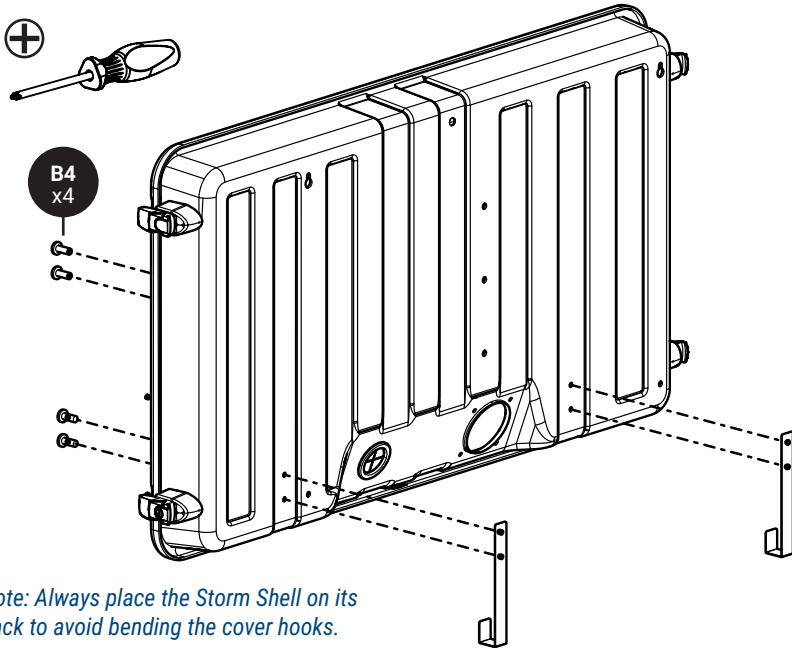
### 1-1 Attach buckle latches

On the back of the Storm Shell, secure the 4 buckles near each corner using 3 screws for each buckle.



## 1-2 Attach cover hooks

Secure the hooks to the back of the Storm Shell.



*Note: Always place the Storm Shell on its back to avoid bending the cover hooks.*

## STEP 2: ATTACH STORM SHELL BACK TO THE WALL

Identify your wall supports to choose the appropriate installation method

Wall Supports:	Installation:
Wood studs	A (page 12)
Solid concrete	B (page 19)
Metal studs	A* (page 12)
Hollow wall: C90 (cinderblock) or masonry wall less than 8" thick	B* (page 19)

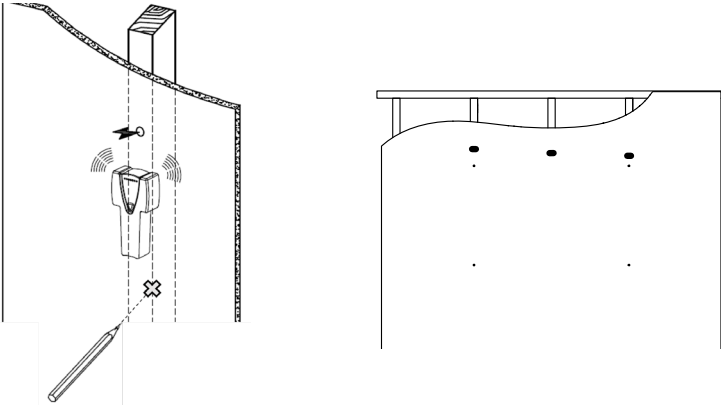
*\*Note: Replace the hardware in the TV mount installation (Step A-10 or B-8) with toggle bolts. Refer to the specific steps for further details.*

## A | WOOD STUD INSTALLATION

---

### A-1 Locate and mark 3 studs

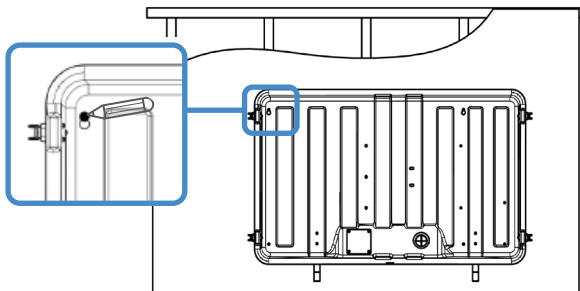
If the wall material is outdoor siding (vinyl or aluminum), stucco, or brick veneer, finding wood studs with a stud finder may be difficult due to multiple layers of construction cladding. In this case, you may need to locate the wood studs from the inside wall and take measurements to determine their position on the outdoor wall.



*Note: If the desired position for your Storm Shell does not align with the studs, you can find an adapter mounting plates at [www.stormshelltv.com/accessories](http://www.stormshelltv.com/accessories).*

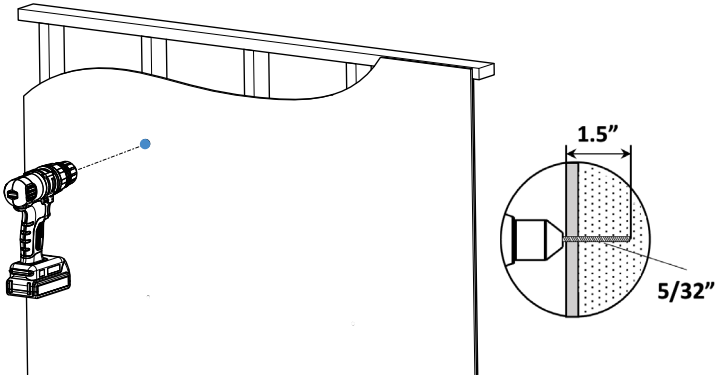
### A-2 Place and mark

Hold the Storm Shell in the desired installation location and mark the top left keyhole with a pen or pencil.

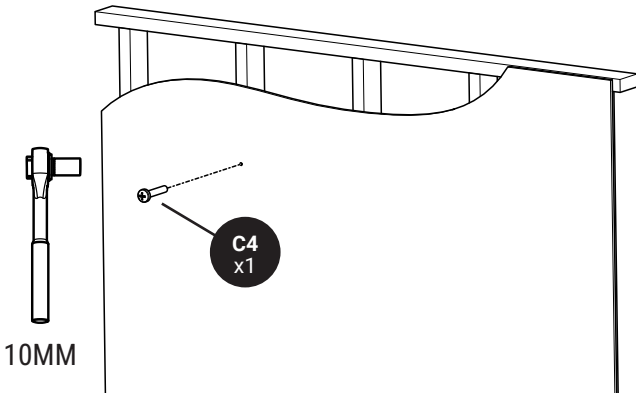


### A-3 Drill the hole & insert screw

Remove the back of the Storm Shell and use a impact drill with a 5/32" drill bit to drill 1.5" deep at the top left mark.



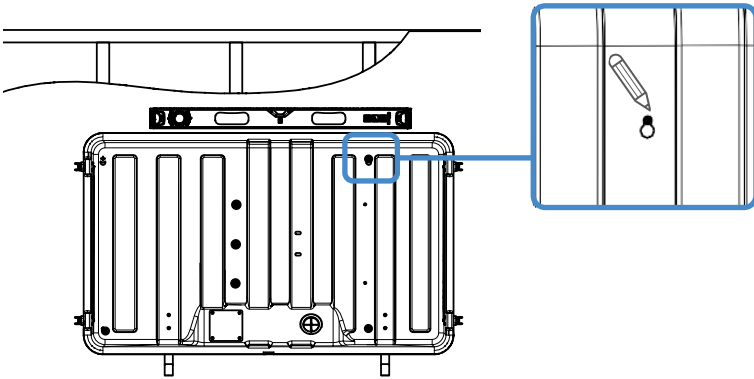
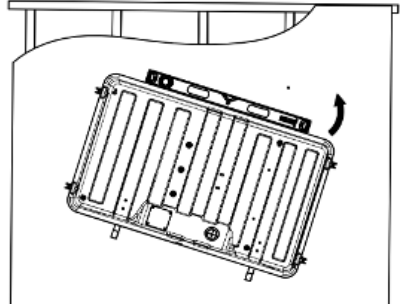
Use a 10mm socket wrench to install C4 into the hole you just created. Leave a small gap between the screw head and the wall.



**A-4**

**Level Storm Shell**

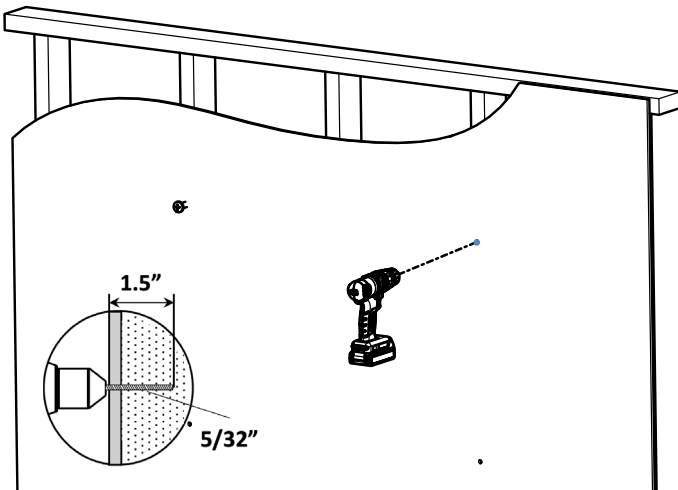
Hang the top left key-hole on the installed C4 screw. Place a bubble level on the Storm Shell and adjust until it is level. Once leveled, mark the position of the top right key-hole.



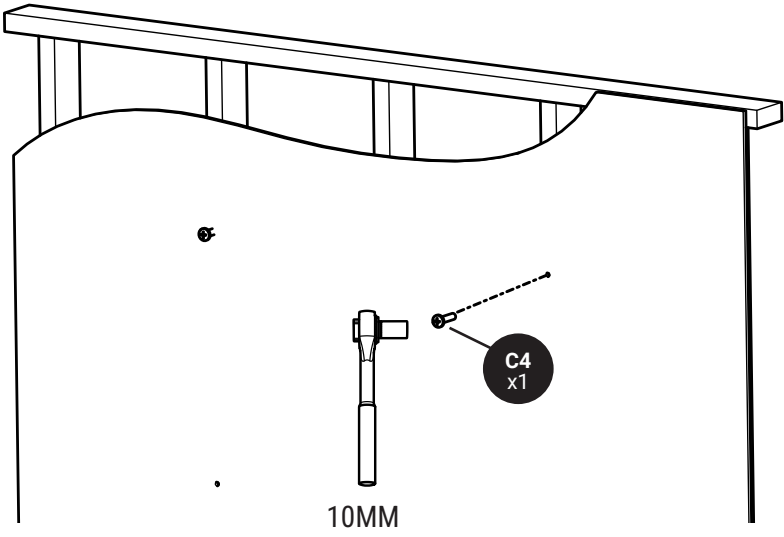
**A-5**

**Drill the hole & insert screw**

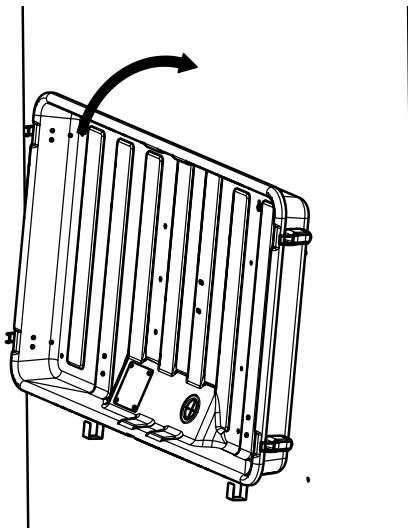
Remove the back of the Storm Shell and use a power drill with a 5/32" drill bit to drill 1.5" deep at the top right mark.



Use a 10mm socket wrench to install C4 into the hole you just created. Leave a small gap between the screw head and the wall.

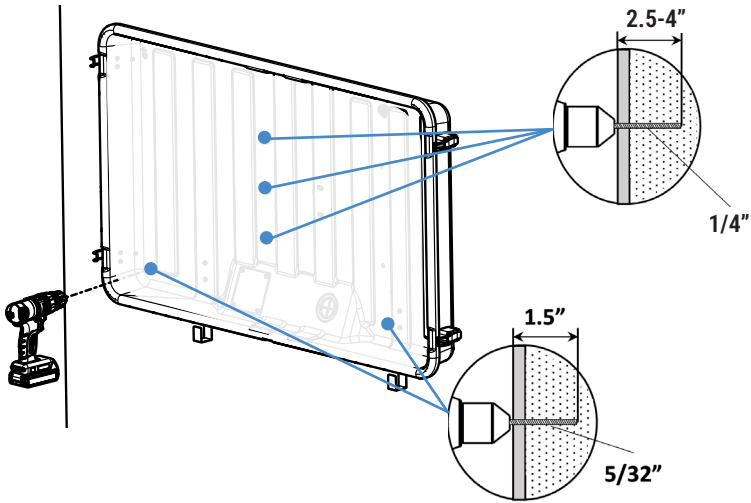


**A-6 Hang Storm Shell back**



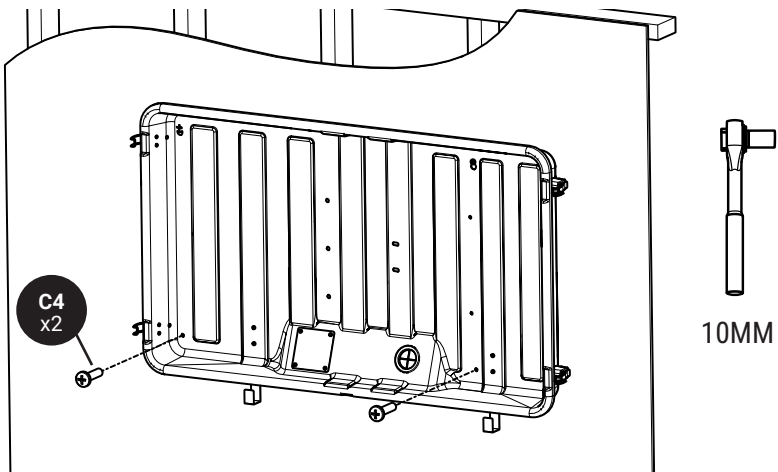
### A-7 Drill additional holes, ensuring they align with the studs for secure installation.

- Drill through the two lower holes with 5/32" wood drill bit, 1.5 inches deep.
- Drill through the three TV bracket holes using a 1/4" wood drill bit. For installations over drywall, drill 2.5" deep. For installations over outdoor siding, drill 4" deep.



### A-8 Secure bottom corners

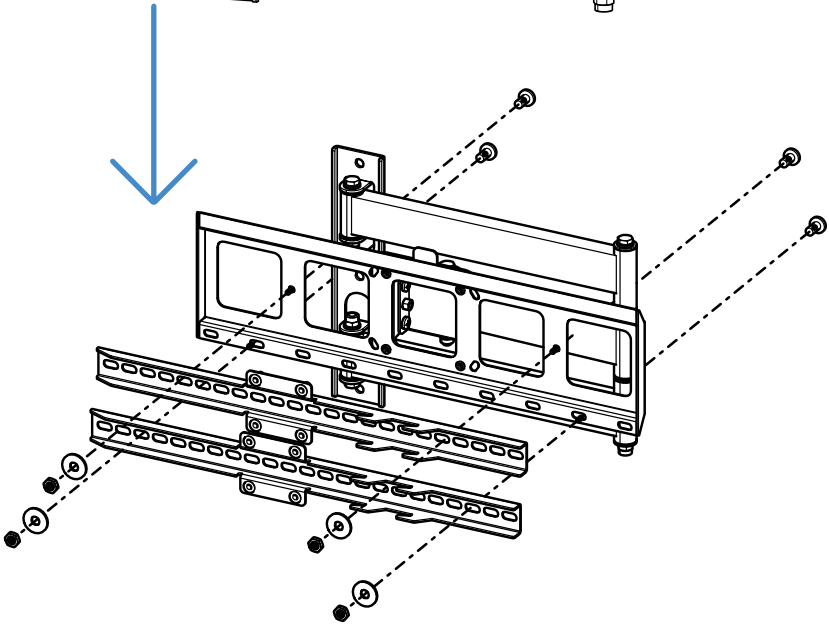
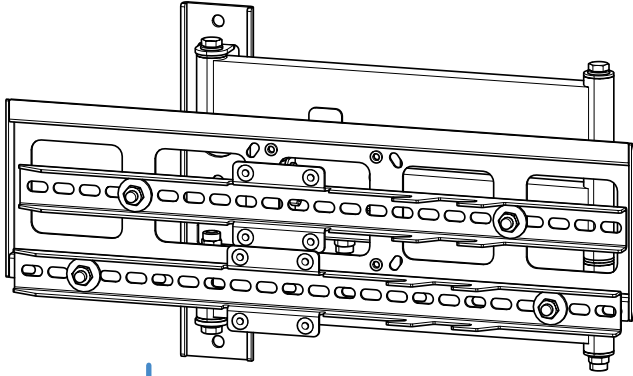
Use a 10mm socket wrench to install C4 in the corner holes you have just created.



## A-9

### Separate vertical brackets from tv bracket

Remove the four nuts, washers and screws that are holding the vertical brackets to the TV mount.

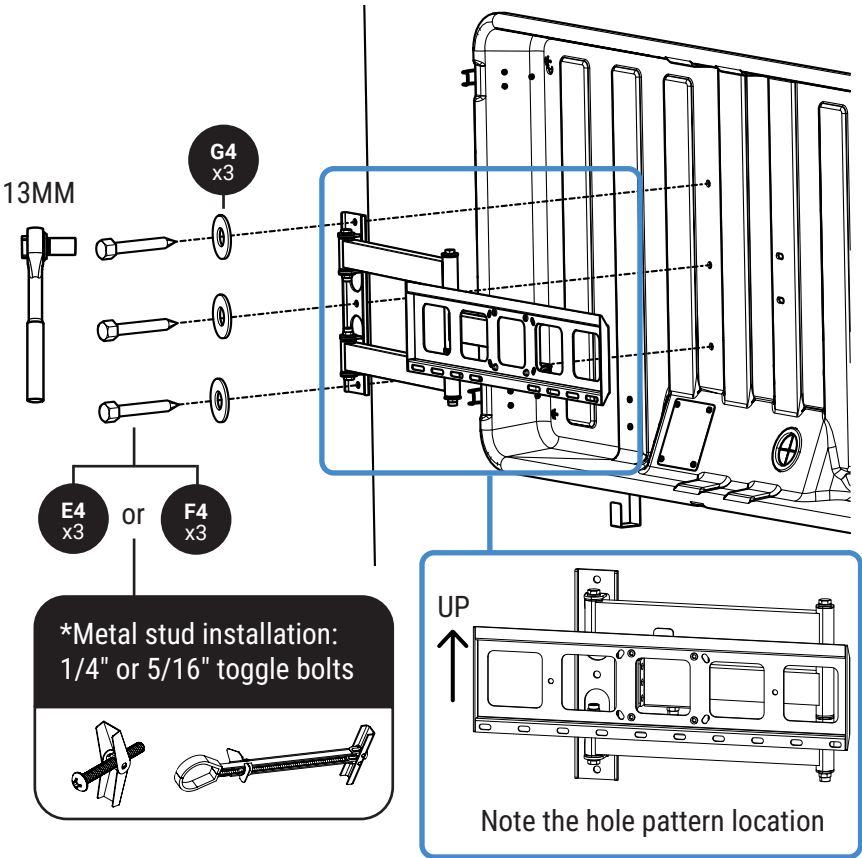


## A-10 Mount the TV bracket

To secure the TV bracket to the middle of the Storm Shell, use three bolts and washers through the holes drilled in step A-7.

Mount the TV bracket using E4 or F4 lag bolts (or toggle bolts for metal studs), ensuring they penetrate wood studs at least 1.5 inches deep. If the wall material (such as siding, stucco, or brick veneer) is too thick to allow this, longer lag bolts will be required. Use 8mm, 1/4", or 5/16" lag bolts, as any of these sizes are suitable for installation.

*\*NOTE: For metal stud installation, replace E4 with toggle bolts.*



## B | CONCRETE WALL INSTALLATION

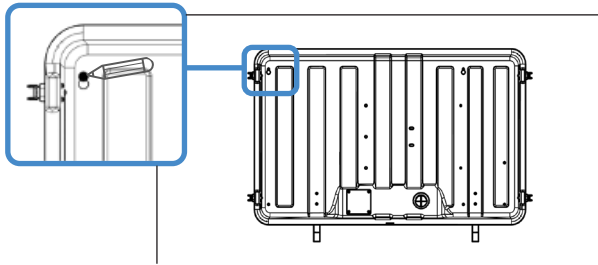


### **WARNING:**

Be aware of electrical conduit, gas, or water pipes!

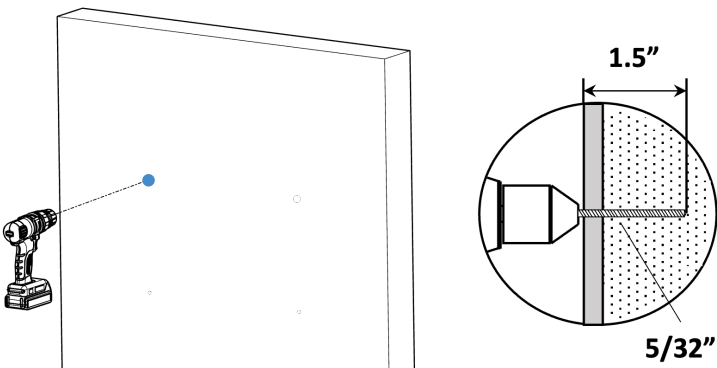
### **B-1 Place and mark**

Hold Storm Shell in the desired installation location and mark the top left key-hole with a pen or pencil.

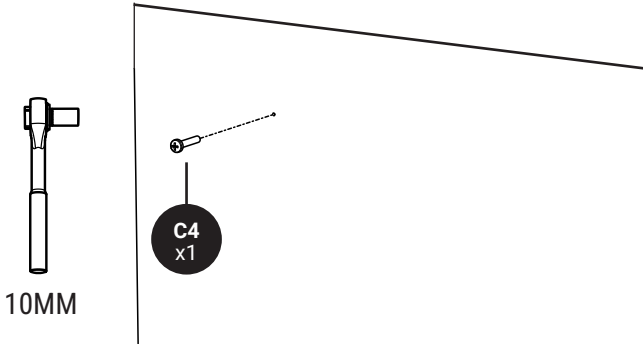


### **B-2 Drill the hole & insert the screw**

Remove the back of the Storm Shell and use a hammer drill with a 5/32" masonry drill bit to drill 1.5" deep at the top left mark.

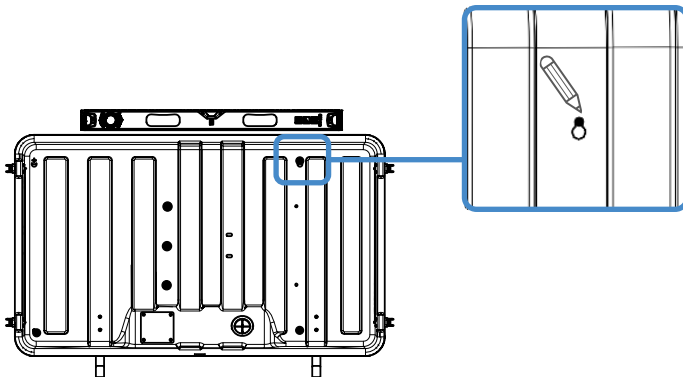
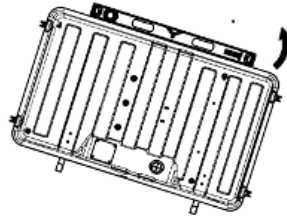


Use a 10mm socket wrench to install C4 in the hole you have just created. Leave a small gap between the screw head and wall.



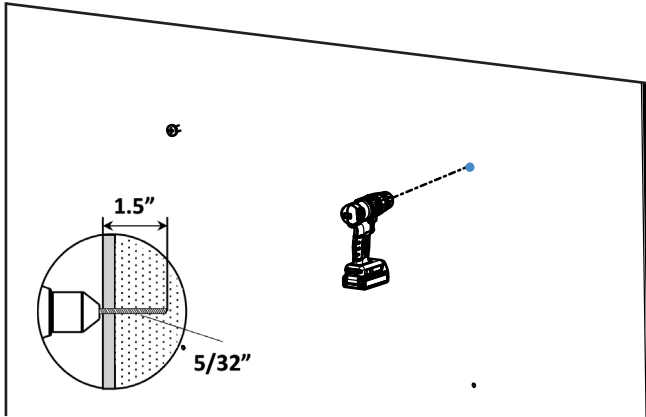
### B-3 Level Storm Shell

Hang the top left key-hole on the installed C4 screw. Place the bubble level on the Storm Shell and adjust until it is level. Then, mark the position of the top right key-hole.

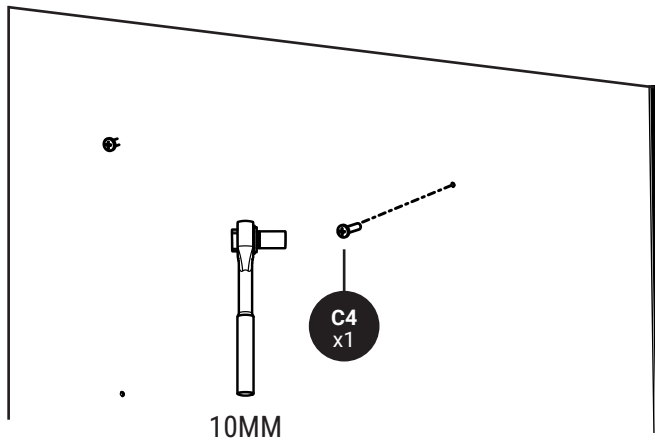


#### B-4 Drill the hole & insert screw

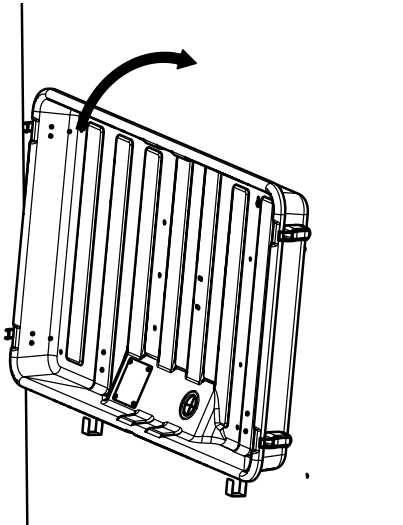
Remove the back of the Storm Shell and use a hammer drill with a 5/32" drill bit to drill 1.5" deep at the top right mark.



Use a 10mm socket wrench to install C4 into the hole you just created. Leave a small gap between the screw head and the wall.

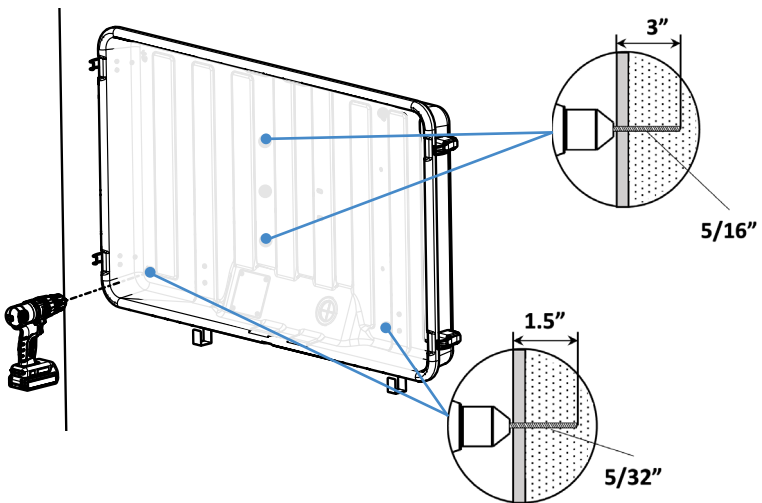


## B-5 Hang Storm Shell back



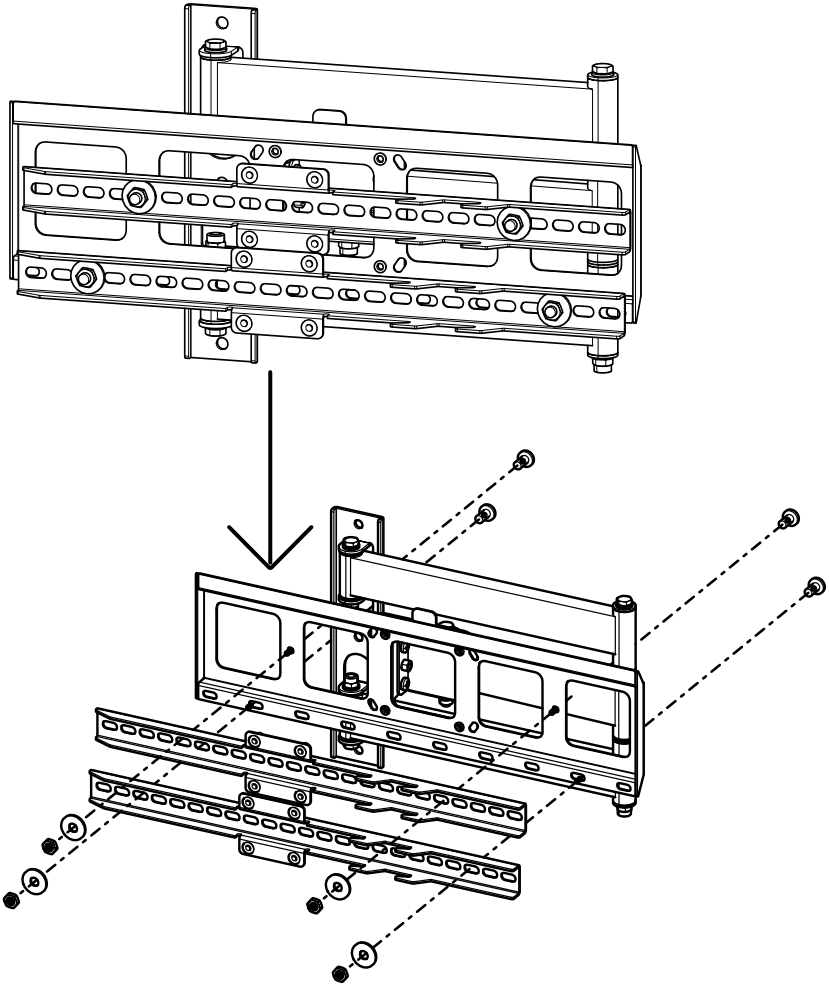
## B-6 Drill additional holes

- Drill through two lower holes with 5/32" concrete drill bit, 1.5 inches deep.
- Drill through the **top and bottom** TV bracket holes with 5/16" concrete drill bit, 3.0 inches deep.



## B-7 Separate vertical brackets from tv bracket

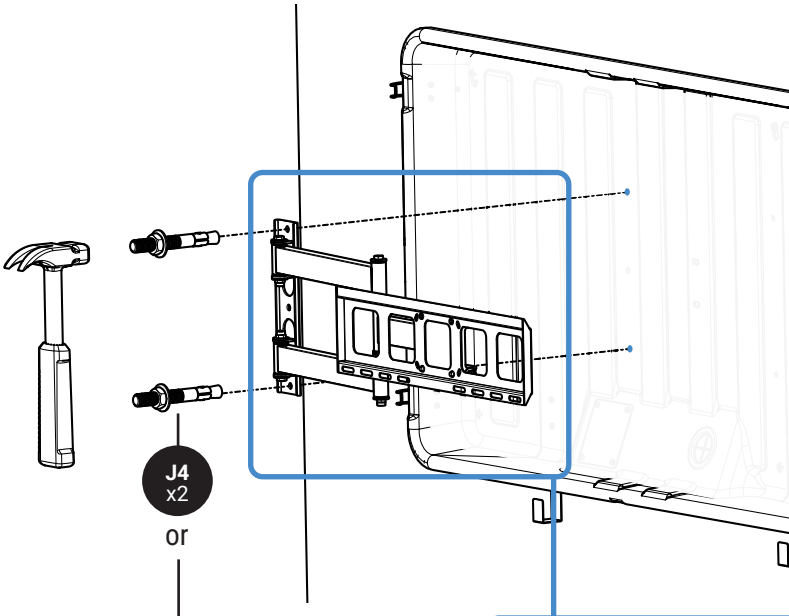
Remove the four nuts, washers and screws that are holding the vertical brackets to the TV mount.



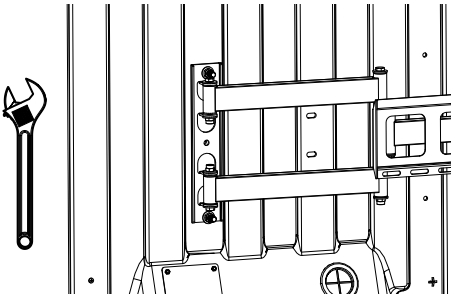
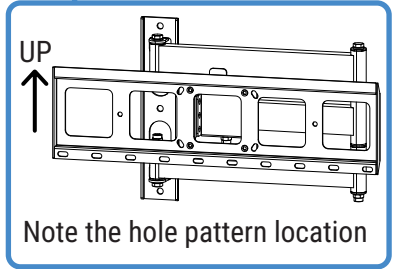
## B-8 Mount the TV bracket

Tap-in J4\* with hammer, then tighten nuts with crescent wrench.

*\*NOTE: If the wall is less than 8" thick or is hollow C90 (Cinder Block) you will need to replace the J4 with toggle bolts.*

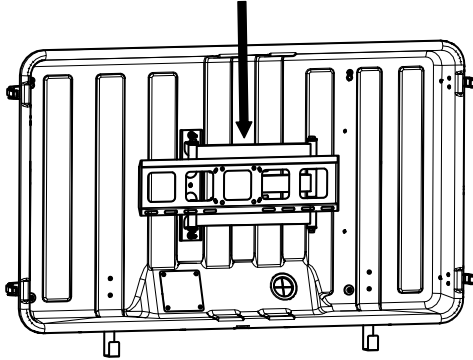


**\*HOLLOW WALL INSTALLATION:**  
1/4" or 5/16" toggle bolts

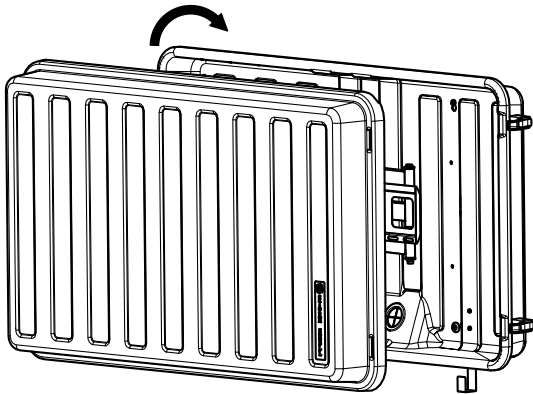


## STEP 3: TEST STORM SHELL

- 3-1 Before hanging the TV, conduct a wall integrity test**  
After assembling the mounting bracket, test its stability by applying downward pressure (equivalent to the TV's weight) to ensure proper installation.



- 3-2 Install Storm Shell front - check the fit**

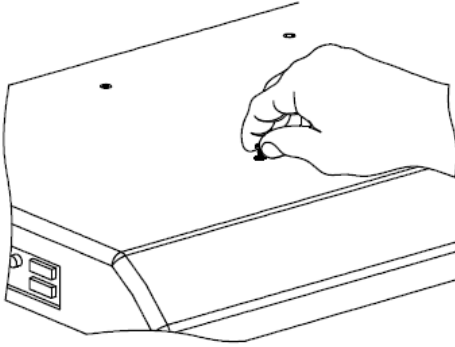


# STEP 4: ATTACH TV MOUNT

**You will want to work on a flat surface!**

Work on a flat surface to ensure the brackets are level. This helps prevent alignment issues when mounting.

## 4-1 Test which screw size (M4, M6, M8) will work with your TV.



### GOOD FIT



With spacer



Without spacer

### BAD FIT



Too long



Too short

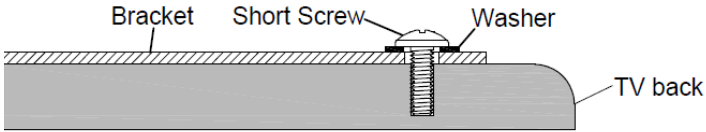


Too small

## 4-2 Determine if spacers are needed

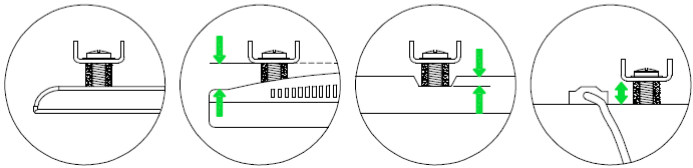
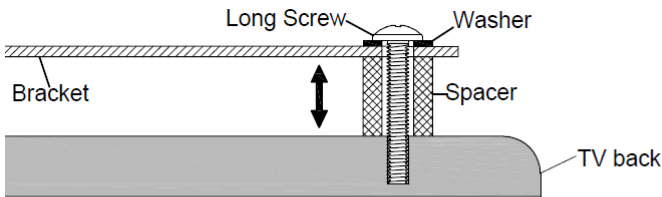
### Option 1: Attachment without additional spacers

Use this attachment method if the TV has a flat back.



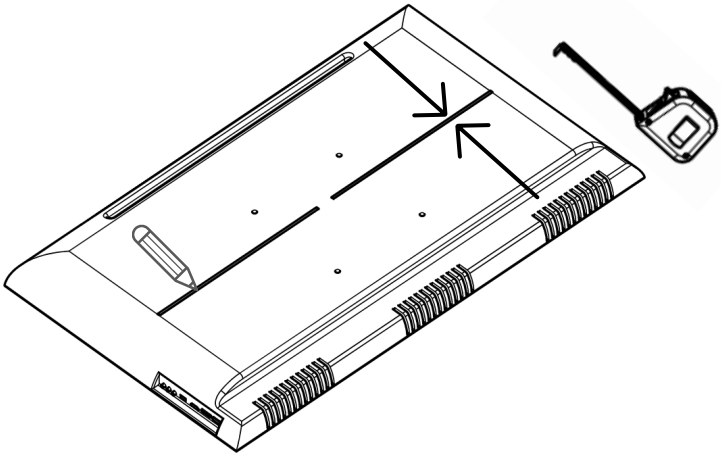
### Option 2: Attachment with additional spacers

Use this attachment method if the TV has an irregular, recessed, or obstructed back.

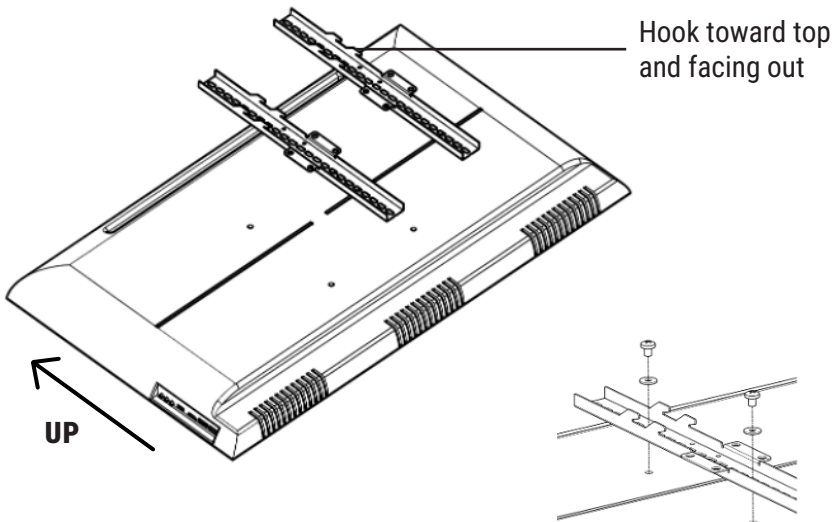


*Note: The provided screws will work in most cases. However, if multiple spacers are needed, you may require longer screws, which can be purchased at your local hardware store.*

**4-3 Measure & mark the vertical center of the TV**



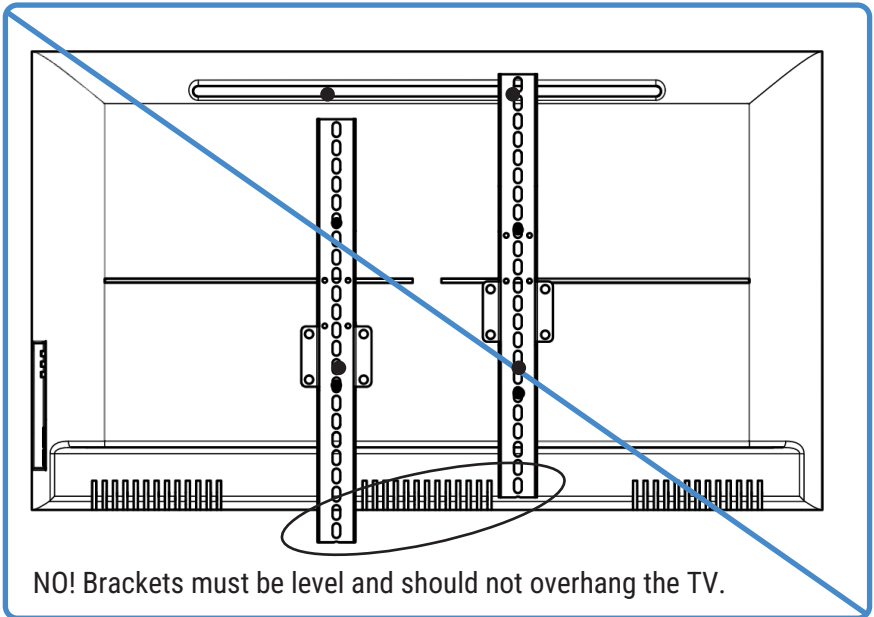
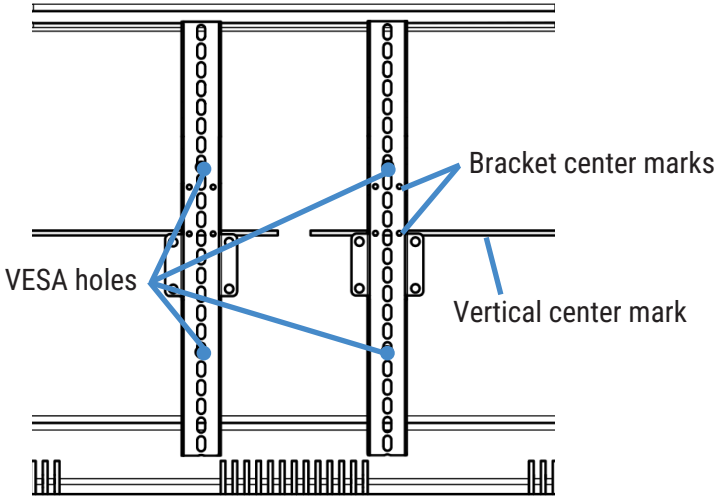
**4-4 Place the vertical brackets**  
Align the vertical brackets with the VESA holes on your TV.  
Position the hooks toward the top of the TV, ensuring they are facing outward.



#### 4-5 Align the bracket centering marks

Place one of the bracket centering marks over the vertical center mark on the TV. Ensure the two brackets are level with each other.

- DO NOT let the top or bottom of the brackets overhang the TV!



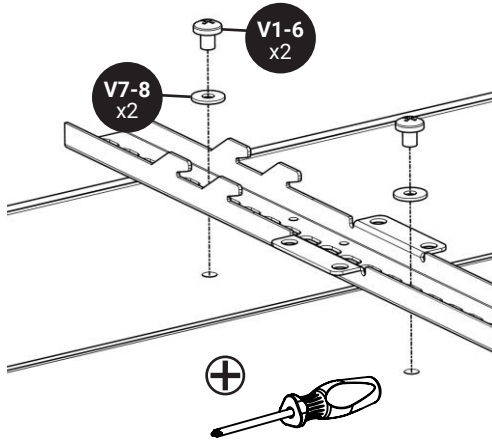
## 4-6 Attach the brackets to the TV

Now that you have aligned the vertical bracket, it's time to attach it using one of the following methods:

Option 1: attach without additional spacers

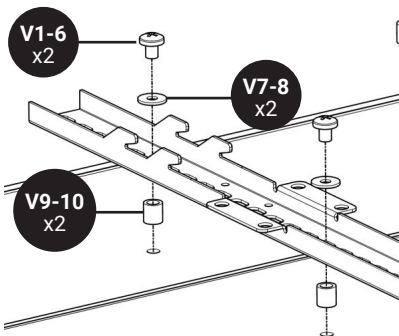
Option 2: attach with additional spacers

- **Option 1: Attach without additional spacers**

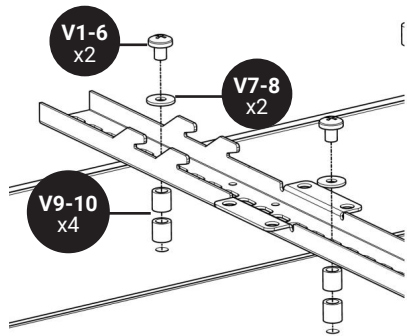


- **Option 2: Attach with additional spacers**

1 spacer



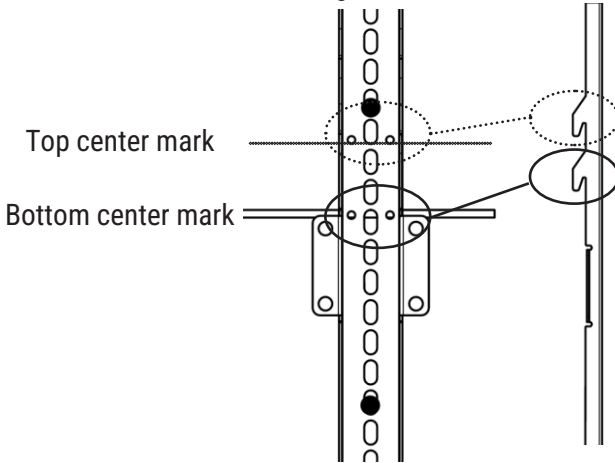
2 spacers



Each figure lists a range of hardware (ex: V1-6). The hardware kit includes a variety of sizes of screws and spacers since every TV is different. Use the hardware that you selected on page 26 to ensure your TV is properly secured.

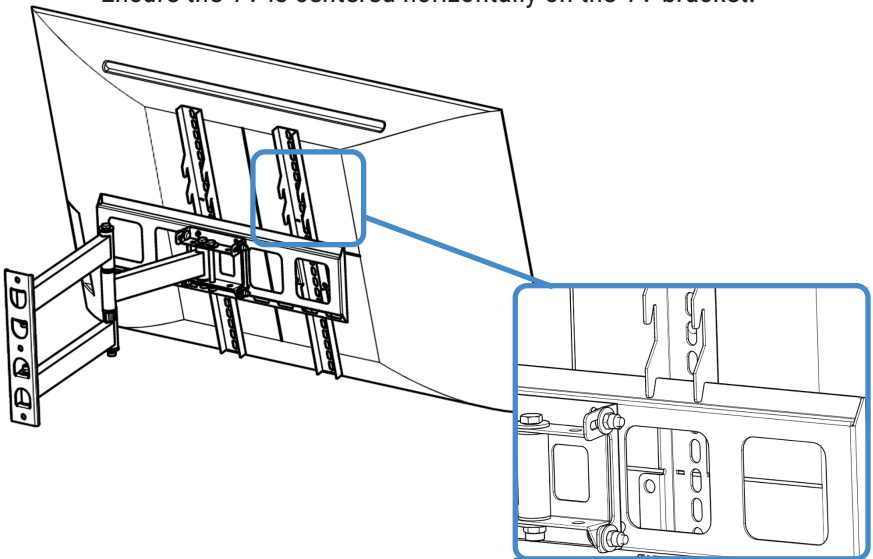
#### 4-7 Determine which hook to use

Identify which bracket centering mark aligns with the vertical center mark you made on your TV. Use the top hook to align with the top centering mark and the bottom hook to align with the bottom centering mark.

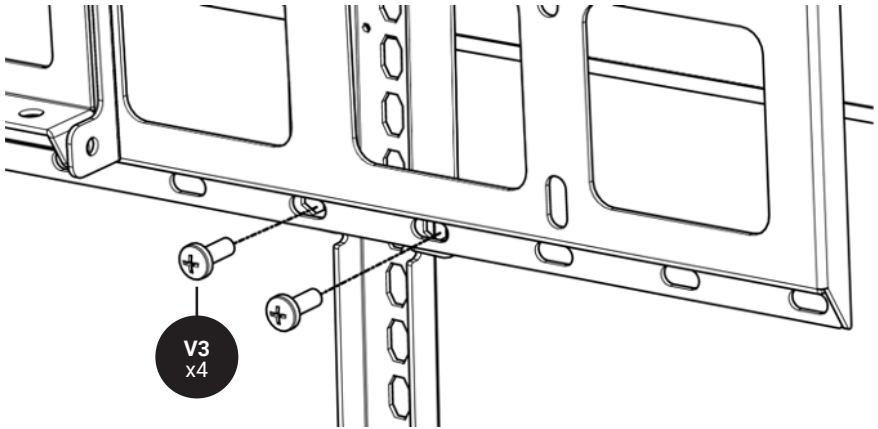


#### 4-8 Hang and secure the TV to the TV bracket

Holding the TV with the top of the screen tilted toward the mounting plate, slide the hook of the right and left brackets over the upper lip of the mounting plate. Then gently lower the TV. Ensure the TV is centered horizontally on the TV bracket.



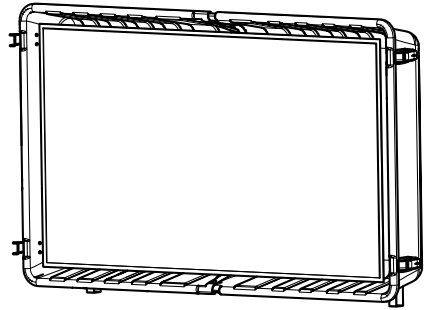
## Attach securing screws



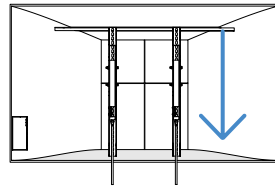
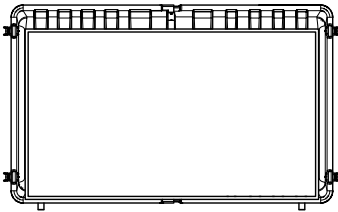
4-9

### Check the fit

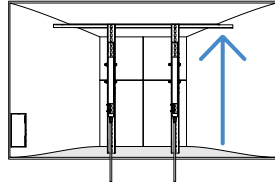
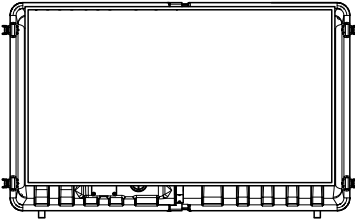
Your TV should be in the center of your Storm Shell. Adjust vertical bracket position if necessary:



- **TV sits low in the Storm Shell Enclosure:**  
adjust the vertical hook brackets down and re-hang.

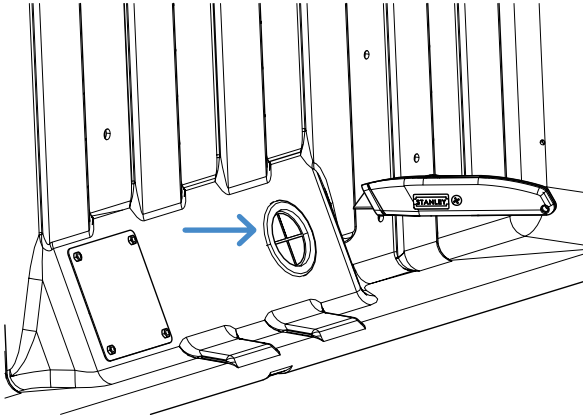


- **If TV sits high in the Storm Shell Enclosure:**  
adjust the vertical hook brackets up and re-hang.

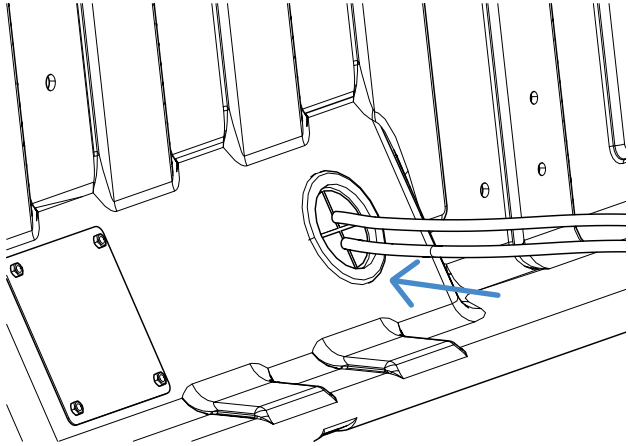


#### **4-10 Cut cable grommet along the x pattern**

Using a box cutter, follow the X pattern along the grommet. This will allow you to push the cords through.



## 4-11 Route cords through the grommet

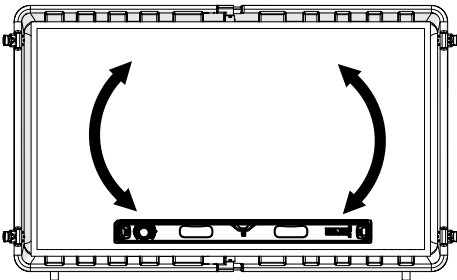
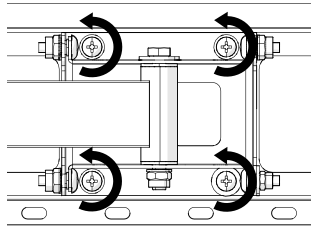


## STEP 5: ADJUST TV LEVEL & TILT

### Check the level

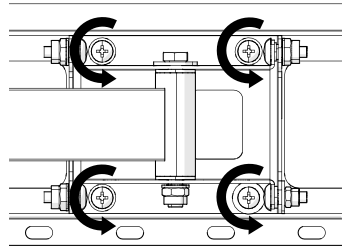
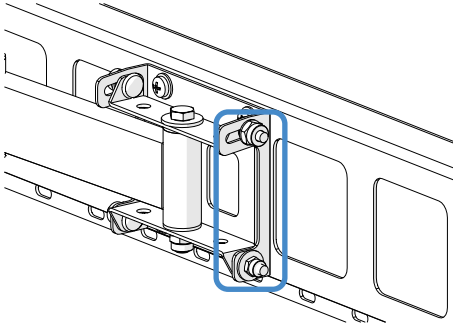
Your TV should be in the center of your Storm Shell.  
Level your TV if necessary.

- 1 Behind the TV, loosen the 4 screws on the TV bracket. **DO NOT REMOVE THE SCREWS!**



- 2 Adjust the TV by gently lifting the bottom corner that is lower. Check the position with a bubble level or a tape measure.

- 3** Once TV is level, tighten the 4 screws.

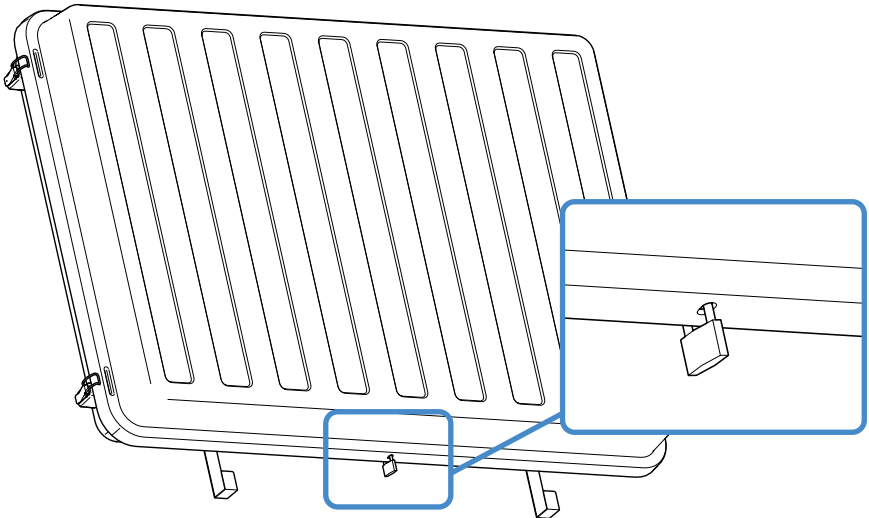


### Adjust the tilt

To adjust the forward tilt of the TV, use the 4 side screws on the bracket. The tilt can be adjusted from  $-15^{\circ}$  to  $5^{\circ}$ .

## STEP 6: LOCKING YOUR STORM SHELL

With the front cover installed, locate the aligned holes in the bottom middle edge of the Storm Shell back and the cover. Insert the lock through both holes to secure it.





## Need help?

435-752-6611

[cs@stormshelltv.com](mailto:cs@stormshelltv.com)

[stormshelltv.com](http://stormshelltv.com)