

BI-48 SID/O



FEATURES

- Monitor and control remotely with Wi-Fi connectivity

- Accepts custom panels for an integrated look within cabinetry or stainless-steel accessory panels and handles to match other Sub-Zero, Wolf, and Cove products

- Preserves refrigerated foods with cool, moist air and frozen foods with frigid, dry air

- Fight spoilage and odors with a NASA-inspired air purification system

- Locks in cold air to ensure freshness with magnetic door seals

- Keeps produce fresher with high-humidity, sealed crisper and deli drawers

- Controls temperature within one degree of setpoint

- Filters water and ice, removing contaminants, chlorine taste, and odor

- Delivers fresh, filtered water through an internal dispenser designed to discreetly rest within the refrigerator

- Yields ice automatically and "max ice" for additional production

- Ensures excellent visibility with bright lights

- Refer to freshness cards for tips on food preservation, use, and care

ACCESSORIES

- 48" Stainless Steel Kickplate

- 90° Door Stop

- Air Purification Cartridge

- Custom Front Panel Mounting Kit

- Custom Side Panel Mounting Kit

- Egg Container

- Extended Framed Handle Kit

- Framed Handle Kit

- Framed Louvered Grille Insert

- Framed Stainless Steel Front Panels

- Framed White Front Panels

- Grille Frame - 83"

- Grille Frame - 88"

- Louvered Grille - 83"

- Louvered Grille - 88"

- Pro Louvered Flush Inset Grille - 84"

- Stainless Steel Flush Inset Freezer Door Panel with Pro Handle

- Stainless Steel Flush Inset Freezer Door Panel with Tubular Handle

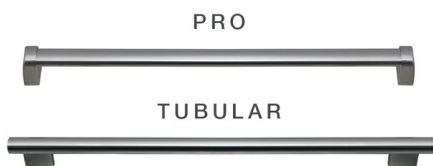
- Stainless Steel Flush Inset Grille Panel

- Stainless Steel Flush Inset Refrigerator Door Panel with Pro Handle

- Stainless Steel Flush Inset Refrigerator Door Panel with Tubular Handle



HANDLE ACCESSORIES



PRODUCT DETAILS

REFRIGERATOR

- 1 adjustable dairy compartment
- 1 high-humidity crisper drawer with adjustable dividers
- 2 refrigerator storage drawers with adjustable dividers
- 5 refrigerator door bins (3 adjustable; 2 stationary)
- 5 glass refrigerator shelves (4 adjustable; 1 stationary)
- Internal water dispenser
- LED refrigerator and freezer lights

FREEZER

- 3 freezer storage drawers
- 4 wire freezer shelves (3 adjustable; 1 stationary)

Stainless Steel Side Panel

Water Filter

White Side Panel

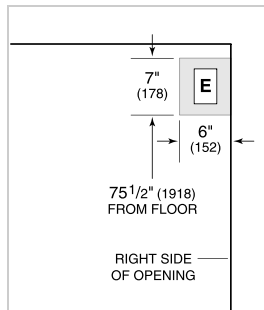
Accessories are available through an authorized dealer.
For local dealer information, visit [subzero-wolf.com/locator](https://www.subzero-wolf.com/locator).

Specifications are subject to change without notice. This information was generated on April 14, 2020. Verify specifications prior to finalizing your cabinetry/enclosures.

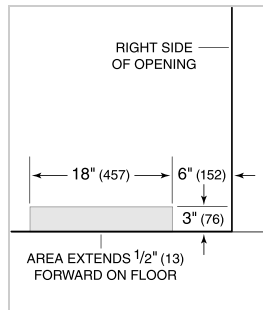
PRODUCT SPECIFICATIONS

Model	BI-48SID/O
Dimensions	48"W x 84"H x 24"D
Door Clearance	30"
Weight	656 lbs
Refrigerator Capacity	18.6 cu. ft.
Freezer Capacity	9.6 cu. ft.
Electrical Supply	115 VAC, 60 Hz
Electrical Service	15 amp dedicated circuit
Plumbing Supply	1/4" OD copper, braided stainless steel or PEX tubing
Plumbing Pressure	35–120 psi
Receptacle	3-prong grounding-type

ELECTRICAL



PLUMBING



PANEL SPECIFICATIONS For complete panels specifications including width/height, weight requirements, thickness requirements and offset details visit subzero-wolf.com/builtinconfigurator.

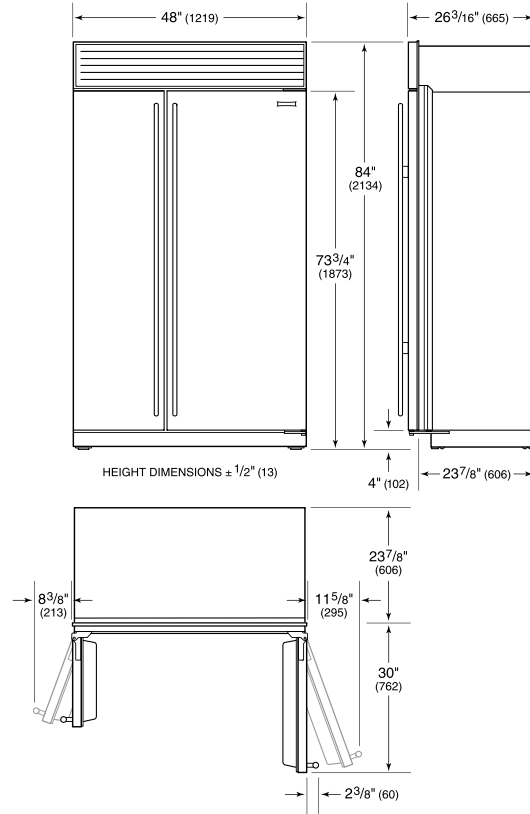
NOTE: Dimensions in parenthesis are in millimeters unless otherwise specified

INTERIOR VIEW

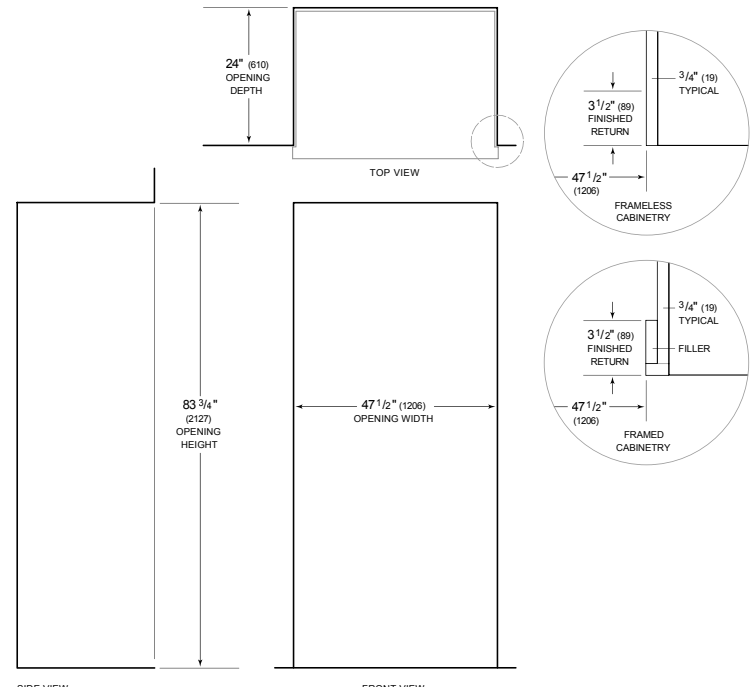


This illustration is intended for interior reference only and may not represent the exterior of the model being specified.

DIMENSIONS



STANDARD INSTALLATION



NOTE: 3 1/2" (89) finished returns will be visible and should be finished to match cabinetry. Shaded line represents profile of unit.