

UNIQUE[®] APPLIANCES

== *Classic* ==
by UNIQUE

24" PANEL-READY DISHWASHER

MODEL NUMBER: UNQ-DW24CT PR



INSTALLATION GUIDE

serial number:



LISTED

E219644
6JA4

AUG25V1

UNIQUE[®]

APPLIANCES

MANUFACTURED & CERTIFIED BY
Unique Appliances Ltd

IMPORTANT SAFETY INSTRUCTIONS



CAUTION
RISK OF ELECTRIC SHOCK
DO NOT OPEN



This symbol indicates that dangerous voltage constituting a risk of electric shock is present within your refrigerator.



This symbol indicates that there are important operating and maintenance instructions in the literature accompanying your refrigerator.



BEFORE YOU BEGIN

Read these instructions completely and carefully. These are provided in order to save you time and effort, and help to ensure optimum dishwasher performance. Be sure to observe all listed warnings and cautions.

IMPORTANT

- In addition to these instructions, the dishwasher shall be installed in accordance with all local codes or, in absence of a local code:
 - In the United States, with National Electric Code.
 - In Canada, with the Canadian Electric Code C22.1-latest edition/Provincial and Municipal codes and/or local codes.
- **Note to Installer** – Be sure to leave these instructions for the consumer's and local inspector's use.
- **Note to Consumer** – Keep these instructions with your User Guide for future reference.
- **Skill Level** – Installation of this dishwasher requires basic mechanical and electrical skills. **Proper installation is the responsibility of the installer. Product failure due to improper installation is not covered under the appliance warranty.**
- **Completion Time** – One to three hours. New installations require more time than replacement installations.
- The dishwasher **MUST** be installed to allow for future removal from the enclosure if service is required.
- If you received a damaged dishwasher, call customer service immediately.

FOR YOUR SAFETY

Read and observe all CAUTIONS and WARNINGS shown throughout these instructions. Wear gloves and safety glasses or goggles while performing the installation described in this booklet.



WARNING

To reduce the risk of electrical shock, fire, or injury to persons, the installer must ensure that the dishwasher is completely enclosed at the time of installation.

This dishwasher comes with a heating element to heat the water. To avoid the risk of a serious burn, don't touch the heating element when the dishwasher is on.

IMPORTANT SAFETY INSTRUCTIONS

INTRODUCTION

When installing the dishwasher, carefully follow precautions in this instruction manual, especially the safety instructions. These are provided in order to save you time and effort, and help to ensure optimum dishwasher performance. Be sure to observe all listed warnings and cautions. Look particularly for the icons with exclamation marks inside. The information icon will also provide important references.

IMPORTANT

The dishwasher should be installed by a qualified and insured licensed plumber, contractor or trained installer. Work by unqualified persons could be dangerous and may void the warranty. Installation performed by unqualified persons could result in improper installation and property damage.

- Do not operate the appliance if damaged, malfunctioning, partially disassembled or if it has missing or broken parts.
- Also follow the safety instructions of the user manual.
- To reduce the risk of electric shock, fire, or injury to persons, the installer must ensure that the dishwasher is completely enclosed at the time of installation.
- Only connect the dishwasher to the power supply when all installation and plumbing work is complete.
- If the dishwasher is installed in a location that experiences freezing temperatures (e.g. in a vacation home, cabin, etc.), all water must be drained from the dishwasher's interior, including the water fill system. Water system ruptures that occur as a result of freezing are not covered by warranty.
- Dishwasher must be secured to adjacent cabinetry using the hardware provided - failure to do this may cause damage to property or bodily injury.
- Connect to a properly rated, protected and sized power supply circuit to avoid electrical overload. The dishwasher is designed for an electrical supply of 120 V (volts), 60 Hz (hertz), AC, connected to a dishwasher dedicated, properly grounded electrical circuit with a fuse or breaker rated for 15 amperes. Electrical supply conductors shall be a minimum of #16 AWG copper wire rated at 90 °C (194 °F) or higher. These requirements must be met to prevent injury and machine damage. Consult a qualified electrician if in doubt.
- Do not use any extension cord or portable outlet device to connect the dishwasher to a power supply.

WARNING

- Ensure that any plastic wrappings, bags, small pieces etc. are disposed of safely and kept out of the reach of children. Danger of suffocation!
- Remove the door to the washing compartment when removing an old dishwasher from service or discarding it. Ensure that the appliance presents no danger to children while being stored for disposal.
- Old appliances may contain materials that can be recycled. Please contact your local recycling authority about the possibility of recycling these materials.

IMPORTANT

- The dishwasher drain hose must be installed with a drain loop at least 30" (76.2 cm) off the cabin floor; otherwise the dishwasher may not drain properly
- This dishwasher is intended for residential use only, and should not be used in commercial establishments.
- New installation - If the dishwasher is a new installation, most of the work must be done before the dishwasher is moved into place.
- Replacement - If the dishwasher is replacing another dishwasher, check the existing dishwasher connections for compatibility with the new dishwasher, and replace parts as necessary.

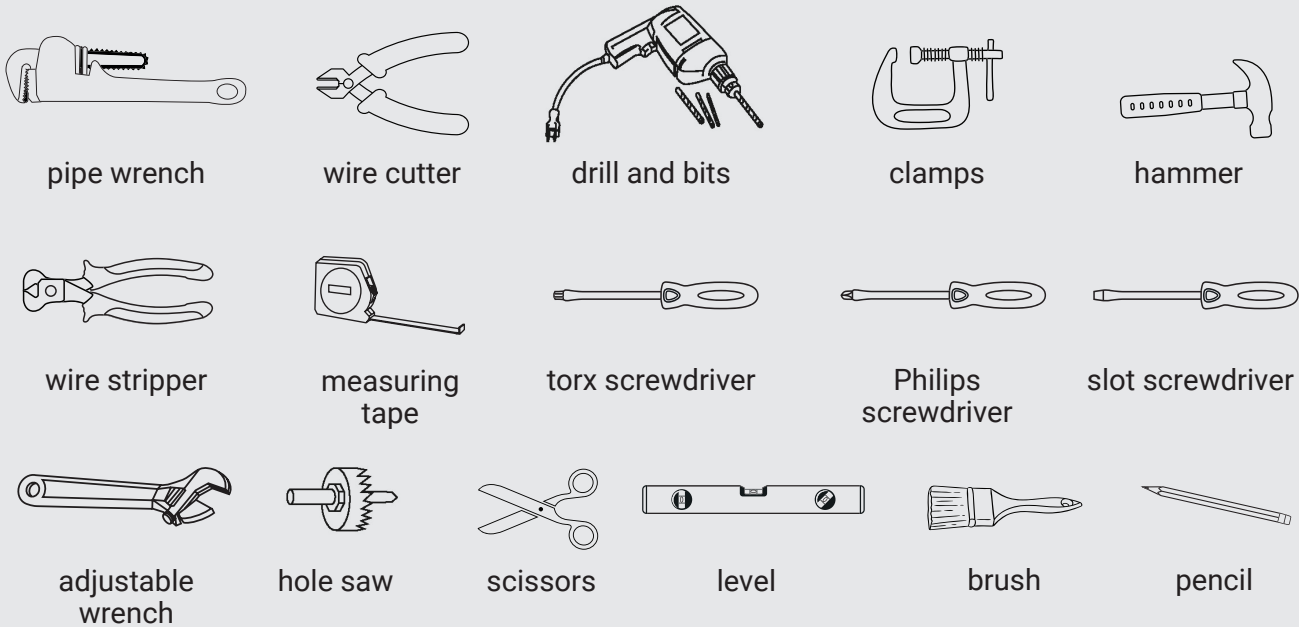
INSTALLATION INSTRUCTIONS - tools needed

READ CAREFULLY AND KEEP THESE INSTRUCTIONS

If you have an installation problem, contact your dealer or installer. You are responsible for providing adequate electrical, exhausting, and other connecting materials.

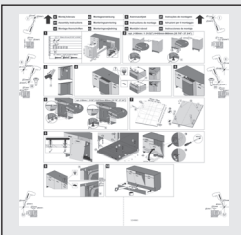
Preparing to install your dishwasher

Necessary tools



Optional tools

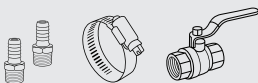
Additional materials may be required to comply with local codes



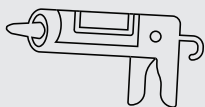
Paper template for custom panel installation (included with user/installation manuals)



Teflon thread seal tape or other pipe thread compound to seal plumbing connections



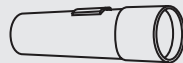
Shut-off valve and fittings appropriate for hot water supply line (copper tubing/compression fitting, or braided hose).



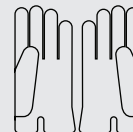
silicone



glue



flashlight



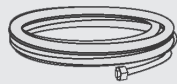
gloves



safety glasses

INSTALLATION INSTRUCTIONS - materials & parts needed/supplied

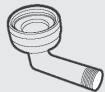
Material needed (not provided; must be purchased separately):



Hot Water Supply Line - Minimum $\frac{3}{4}$ " O.D. copper tubing or metal braided dishwasher supply line



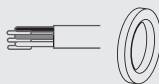
Metallic strain relief to fit $\frac{7}{8}$ " (22mm) hole



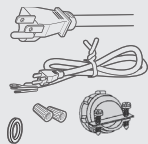
$\frac{3}{8}$ " Compression x $\frac{3}{4}$ " hose fitting with rubber seal and 90° elbow



UL listed Twist-On wire connectors



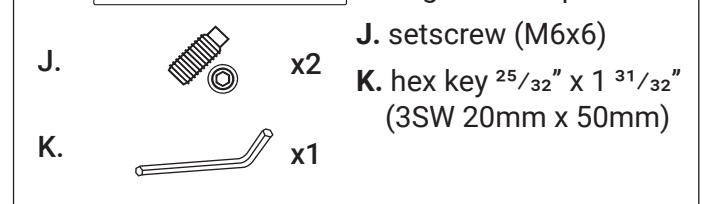
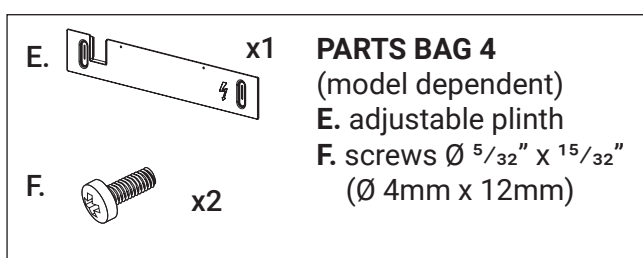
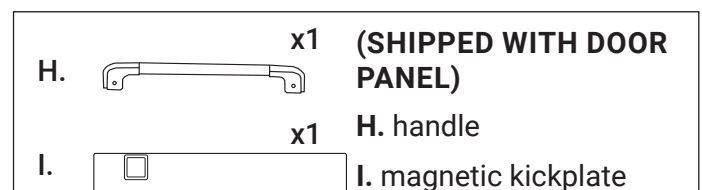
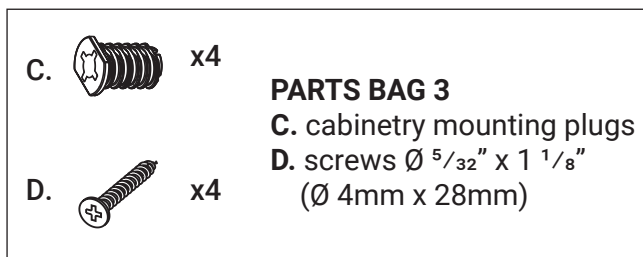
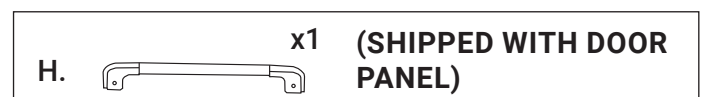
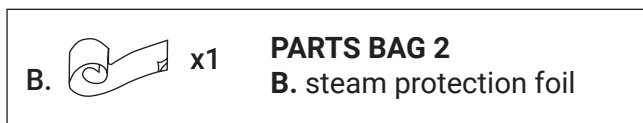
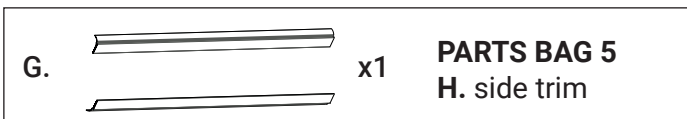
For Direct Wire : Cabinet Grommet For $1\text{-}\frac{1}{2}$ " (38mm) hole in cabinet
(required for metal cabinets)



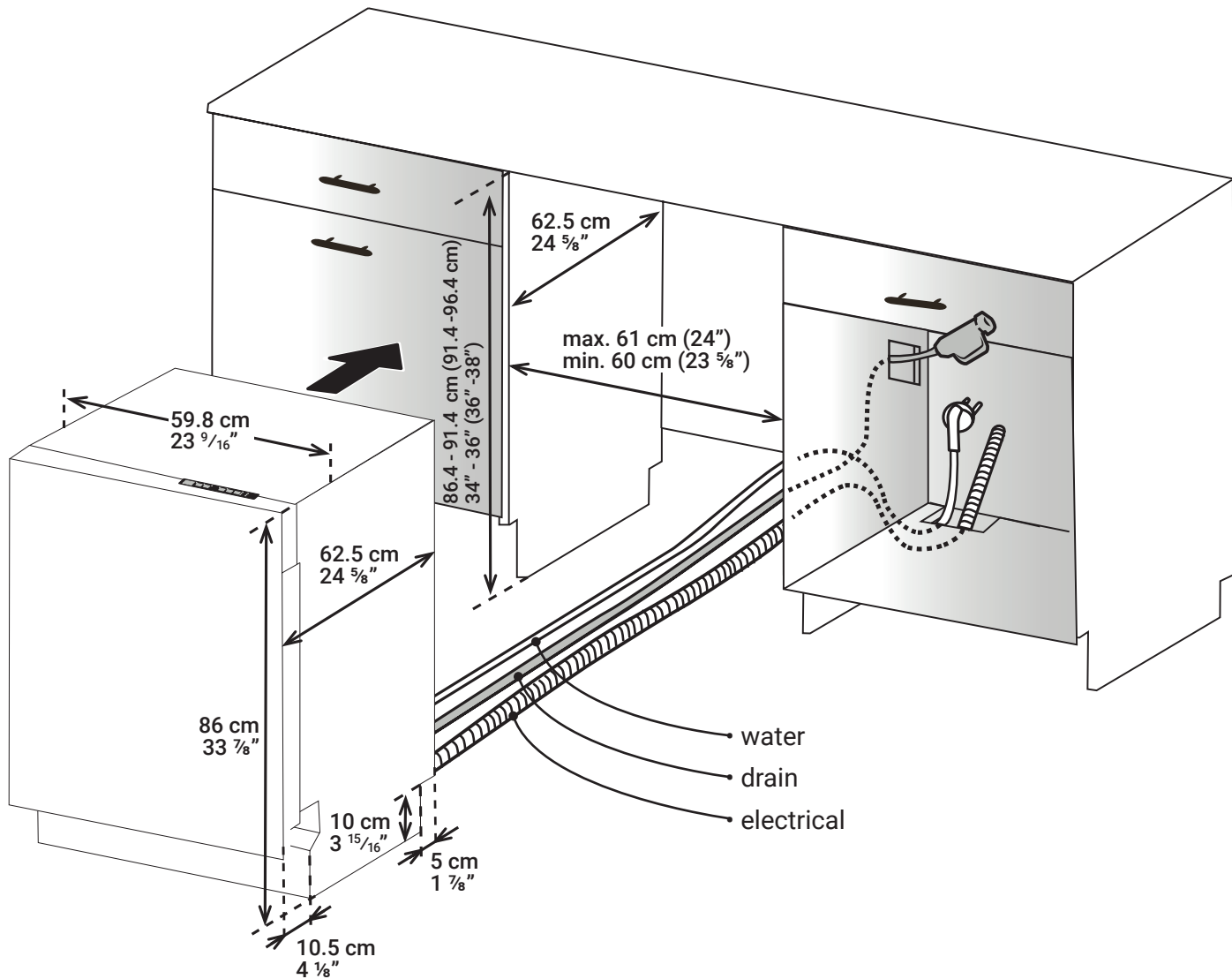
For Power Cord : Power Cord Kit Kit typically includes power cord, metallic strain relief, grommet, and twist-on wire connectors .

Parts Supplied

The parts required for positioning the dishwasher are in plastic bags. Check that all of the following parts are contained in plastic bags.



ENCLOSURE & SUPPLY REQUIREMENTS



IMPORTANT This dishwasher is designed to be installed where the front of the dishwasher door is flush with the front edge of the counter top.

Enclosure Requirements

- Dishwashers must be installed with a drain hose no longer than 10 feet (3.01 m) to ensure proper drainage.
- The dishwasher is designed to be enclosed on top and sides by standard domestic kitchen cabinets.
- The installation enclosure must be clean and free of obstructions.
- Cabinets must be at least 24" (60.9 cm) wide, 25" (63.5 cm) deep and 34" (86.4 cm) high. (Refer to the image above)
- The standard countertop depth measures approximately 25" (63.5 cm). The dishwasher door will sit 1" (2.5 cm) proud of the countertop. If you are building a custom kitchen you can size your countertop using 26" (66 cm) in depth. (Refer to Fig 1. on pg 5)

ENCLOSURE & SUPPLY REQUIREMENTS (continued)

Water Supply Requirements

- The hot water supply line pressure must be between 4.35~145 psi (0.3~10 bar)
- Adjust the water heater to deliver water between 120°F (49°C) ~ 149°F (65°C).
- $\frac{3}{8}$ " O.D. copper tubing with compression fitting or flexible braided water supply line.
- A 90° elbow with $\frac{3}{4}$ " hose connection with rubber washer.
- Seal the hot water supply line connections using teflon tape or sealing compound to stop any water leakage. Except for the $\frac{3}{4}$ " connection, do not apply teflon tape or sealant at this connection.
- The drain hose connected to the dishwasher must be run through the hole in the side wall so it can be connected to the drain outlet of the sink. When installing the dishwasher, ensure there is nothing on the drain hose and be careful not to tear it during the installation process.

IMPORTANT Because we continually strive to improve our products, we may change our specifications and design without prior notice. This device corresponds to the following directives: UL 749 Household Dishwasher directive.

Electrical Supply Requirements

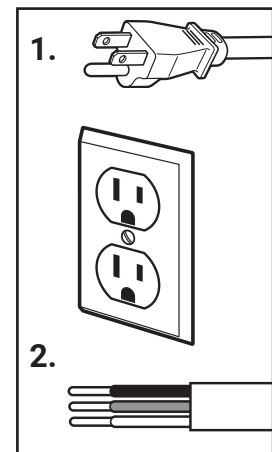
The dishwasher is designed for an electrical supply of 120 V, 60 Hz, AC, connected to a dishwasher dedicated, properly grounded electrical circuit with a fuse or breaker rated for 15 amperes.

1. If Connecting Dishwasher with a Power Cord:

- Use UL Listed power cord kit marked for use with dishwasher. See "Tools and Parts" section at the front of the guide for details and orders.
- Plug into a grounded 3 prong outlet. Outlet must meet all local codes and ordinances.
- The socket outlet should be in an adjacent cabinet for power cord connection.

2. If Connecting Dishwasher with Direct Wiring:

- Use flexible, armored, or nonmetallic sheathed copper wire with grounding wire that meets the wiring requirements for your home and local codes and ordinances
- Use a UL listed metallic strain relief. See the "Tools and Parts" section at the front of the guide for part details and orders.



WARNING

Electrical Shock Hazard

Disconnect electrical power at the fuse box or circuit breaker box before installing dishwasher. Failure to do so can result in death or electrical shock.

1. Disconnect power

- Disconnect electrical power at the fuse box or circuit breaker box before installing dishwasher.

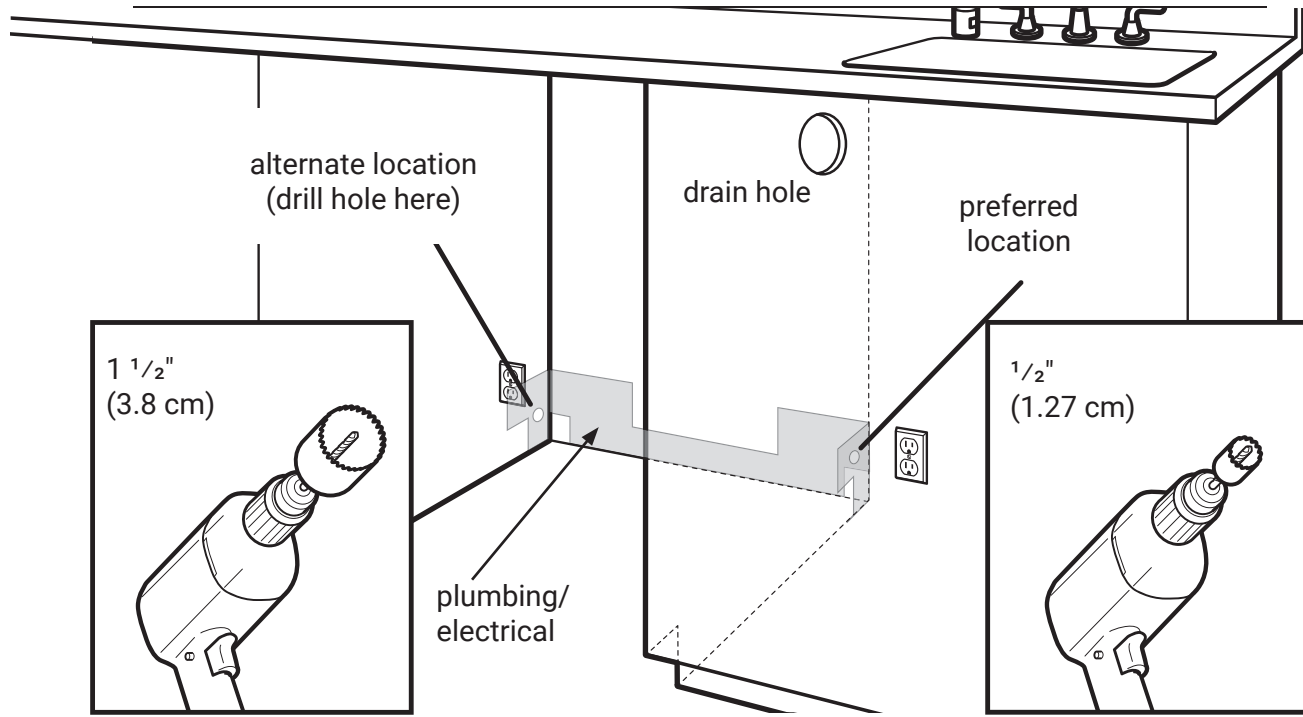
2. Shut off water supply

- Shut off the water supply to the dishwasher.

ENCLOSURE REQUIREMENTS/DIMENSIONS (continue)

PREPARE CABINET OPENING: NEW UTILITIES

Drill hole locations - new construction



IMPORTANT Refer to the "Product and Cabinet Opening Dimensions" section for the correct hole placement and dimensions of the shaded area.

- Drill a 1.5" (38 mm) drain hose hole in the side or rear of cabinet (30" / 76.2 cm off the floor required), depending on location of drain hose routing and drain hose connection location.
- Drill a 1/2" (12.7 mm) water supply hose hole in the side or rear of cabinet, depending on location of water supply routing and connection location.
- Drill a 1.5" (38 mm) electrical conduit hole in the right-hand side or rear of cabinet.



WARNING

TIP OVER HAZARD Do not use dishwasher until completely installed. Do not push down on open door. Doing so can result in serious injury or cuts.

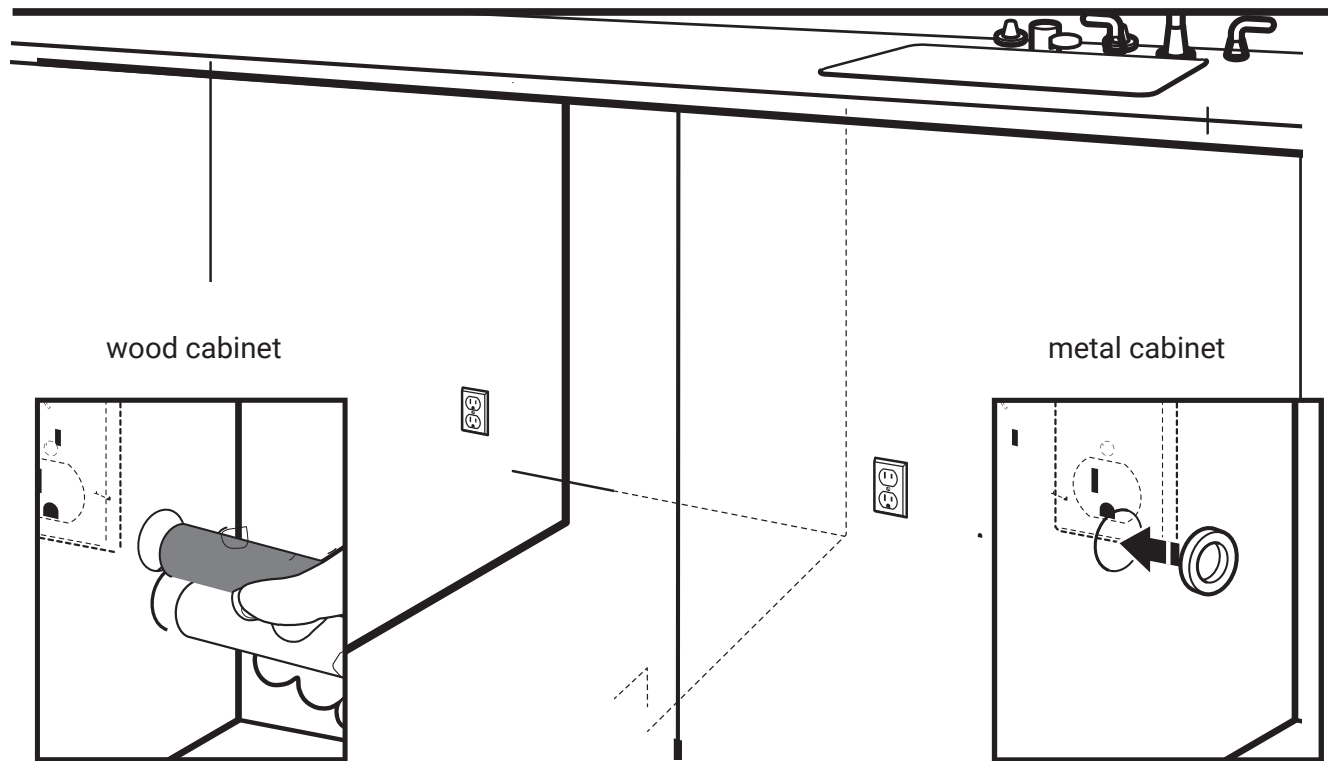


WARNING

Excessive Weight Hazard Use two or more people to move and install dishwasher. Failure to do so can result in injury.

ENCLOSURE REQUIREMENTS/DIMENSIONS (continue)

Sand holes smooth

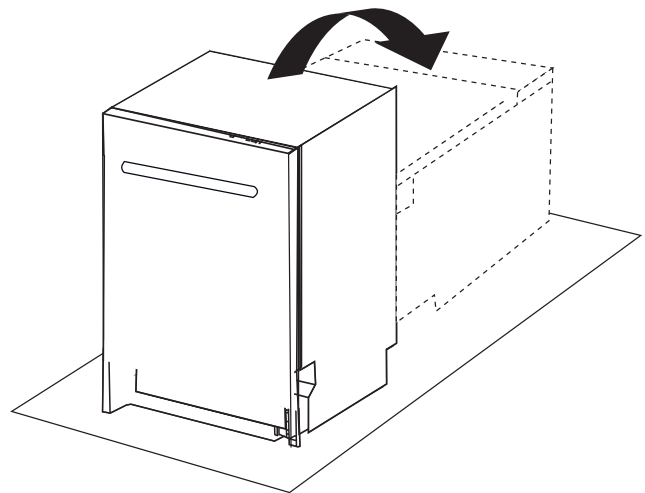


Wood cabinet: Sand the hole until smooth. **Metal cabinet:** Cover edges of hole with grommet included with power cord kit. See the “Tools and Parts” section at the front of the guide for part details. **Helpful Tip:** Wiring the dishwasher will be easier if you route the cable into the cabinet opening from the right-hand side.

Put the Dishwasher on its Back

IMPORTANT Place cardboard under dishwasher until installed in cabinet opening to avoid damaging floor covering.

Using 2 or more people, grasp sides of dishwasher door frame, and place the dishwasher on its back. Do not use the door panel as a worktable without first covering it with a towel to avoid scratching the door panel.

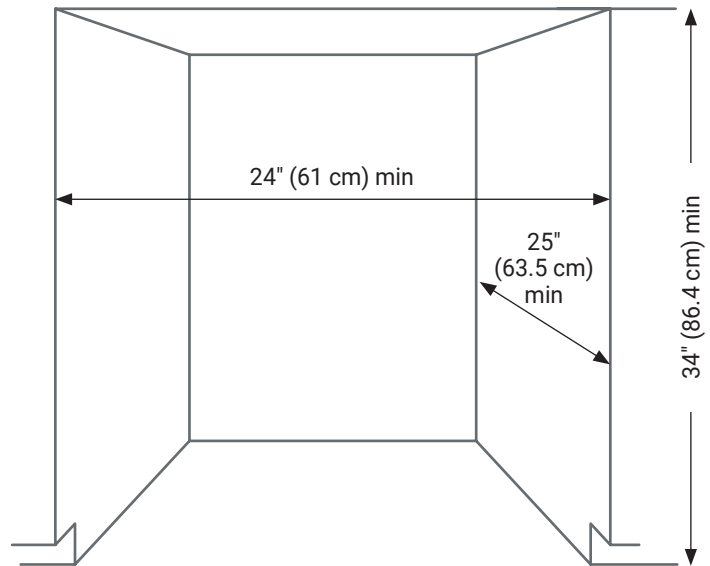


ENCLOSURE REQUIREMENTS/DIMENSIONS

Dishwasher Door sits 1" (2.5 cm) proud of the countertop

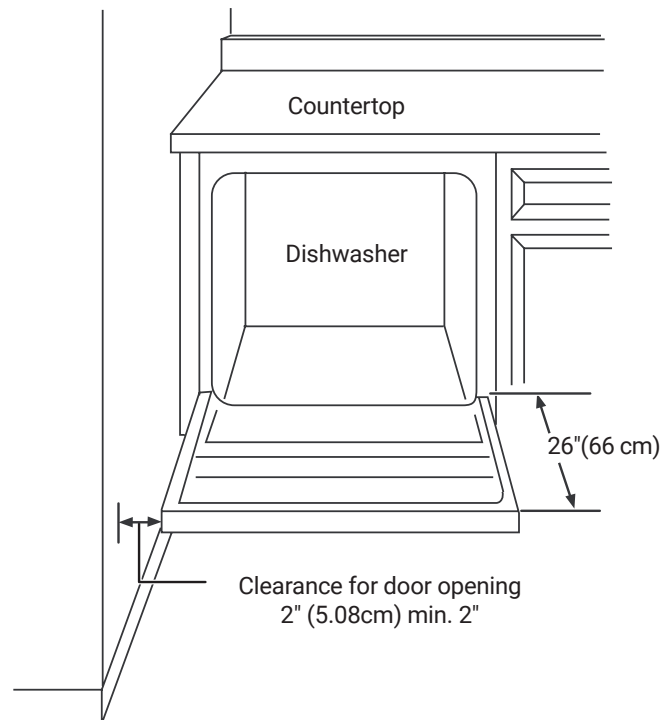


Cabinet Dimensions



If installing into a corner:

- Allow 2 in. (5.08 cm) minimum clearance between dishwasher and adjacent cabinet, wall, or other appliances.
- Allow 25.63 in. (65.1 cm) minimum clearance from the front of the dishwasher for opening the door.



DRAIN REQUIREMENTS

Drain requirements

Follow all local codes and ordinances.

- Do not exceed 10 ft. (3.01 m) of drain hose.
- Do not connect the drain lines from other devices to the dishwasher drain hose.
- The dishwasher must be connected to a waste line with an air gap (not provided) or a 30 in. (76.2 cm) high (min.) drain loop, depending on local codes and ordinances, to prevent backflow into the dishwasher.
- An air gap must be used if the waste tee or garbage disposal connection is less than 18 in. (45.72 cm) above the floor, to prevent siphoning.

Drain preparation

The type of drain installation required depends on the answers to the following questions:

- Do local codes or ordinances require an air gap?
- Will the waste tee or garbage disposal connection be less than 18 in. (45.72 cm) above the floor?
- Will installation have a drain loop less than 32 in. (81.28 cm) above the floor? If the answer is **YES** to **ANY** of these questions, **Method 1 MUST** be used. Otherwise, either Method 1 or Method 2 may be used.

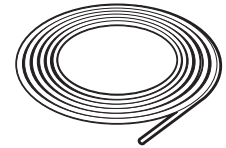
Caution

- An air gap **MUST BE USED** if the drain hose is connected to a waste tee or garbage disposal lower than 18 in. (45.72 cm) above the floor.
- Failure to provide the proper drain connection height with an air gap or 30 in. (76.2 cm) (min.) high drain loop will result in improper draining of the dishwasher.

CONNECTING WATER

Connect Water Line to Fill Valve

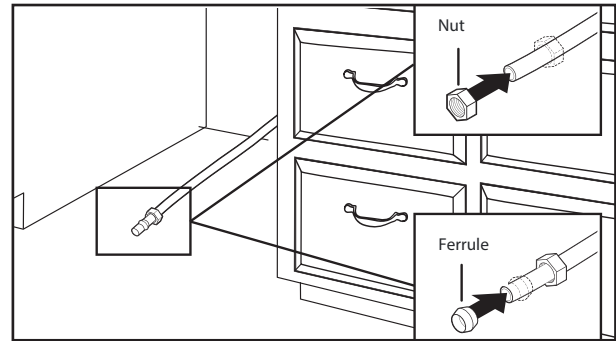
If using copper tubing, measure overall length of copper tubing required to reach the water supply, cut to length, and attach with compression fittings.



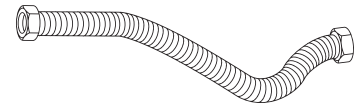
copper water line

Slide Nut and Ferrule onto Tubing (copper tubing only)

Put the tubing into the 90° elbow fitting as far as it will go. Slide the nut and ferrule forward and start the nut onto the elbow threads.

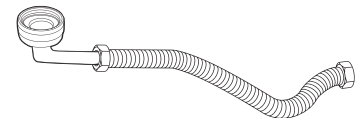


Flexible braided line (not provided): Confirm the flexible braided line is long enough.



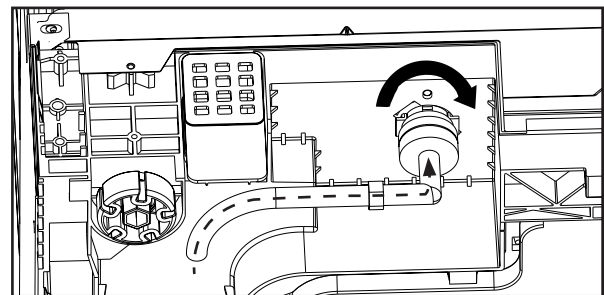
flexible line

Add 90° elbow fitting to the water supply line: Get $\frac{3}{8}$ " compression x $\frac{3}{4}$ " hose fitting with 90° elbow. See the "Tools and Parts" section at the front of the guide for part details and orders. Connect the $\frac{3}{8}$ " compression fitting of the 90° elbow fitting to the water supply line. Attach such that the $\frac{3}{4}$ " connection is facing upward as shown above.

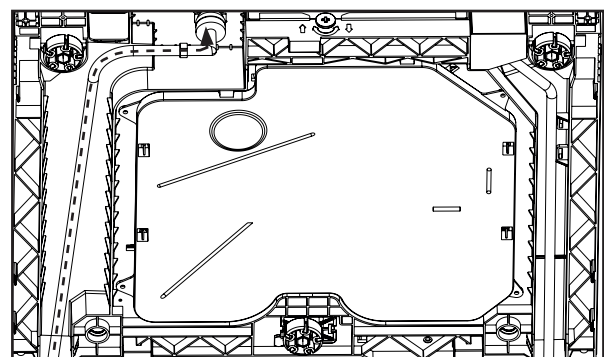


90° elbow connected to flexible line

Tighten 90° elbow fitting to valve: Get $\frac{3}{8}$ " compression x $\frac{3}{4}$ " hose fitting with 90° elbow. See the "Tools and Parts" section at the front of the guide for part details and orders. Connect the $\frac{3}{8}$ " compression fitting of the 90° elbow fitting to the water supply line. Attach such that the $\frac{3}{4}$ " connection is facing upward as shown above.



Be sure rubber washer is properly seated in fitting. Slide the $\frac{3}{4}$ " fitting of the 90° elbow up to the valve and hand tighten to avoid cross-threading. Hand tighten until the coupling is tight. Using pliers, check the tightness of the coupling. Route fill hose from routing channel under the plastic base out the rear left side of dishwasher. When placing the dishwasher back onto its feet, apply tape to the area on the bottom where the channel for guiding the fill hose is located to keep it securely in place.



INSTALLING THE DISHWASHER



WARNING

These installation instructions are intended for use by qualified installers. The customer has the responsibility to ensure that the dishwasher installation is in compliance with all national and local electrical codes and ordinances. The dishwasher shall be installed by a qualified technician and properly grounded.

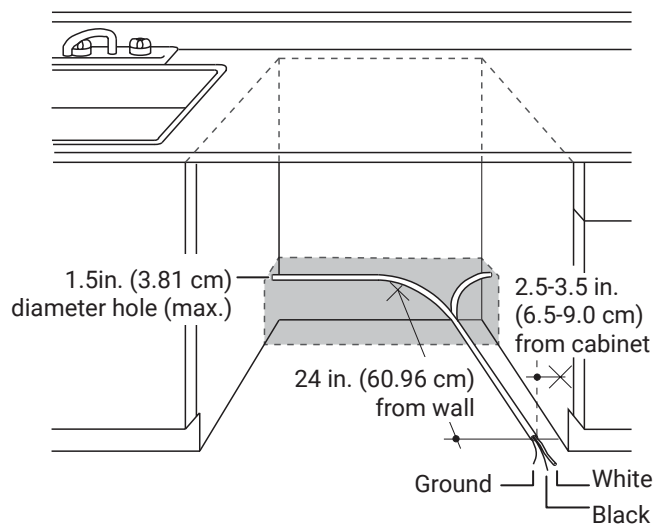
The electrical supply for which the dishwasher is designed is 120V, 60 Hz, AC, connected to a dishwasher-dedicated electrical circuit with a fuse or breaker rated for 15 amps. No other appliances or outlets should be connected to the dishwasher supply circuit. Electrical supply conductors shall be copper only and shall be minimum #16 AWG.

Remove the house fuse or open the circuit breaker before beginning the installation. Do not use an extension cord or adapter plug with this appliance.

Direct Wire Method

This dishwasher must be connected to a grounded metal, hard-wired system, or equipment ground conductor running between circuit conductors and connected to the dishwasher grounding terminal or wire.

- Cables should be routed as shown in “Cabinet Preparation and Wire Routing” on page 8 and the should extend at least 60.96 cm (24 inches) beyond the rear panel.
- Use stranded, armored, or non-metallic copper wire with a drain wire that meets domestic wiring requirements and local codes and codes.
- Use UL-listed/CSA-certified strain relief.



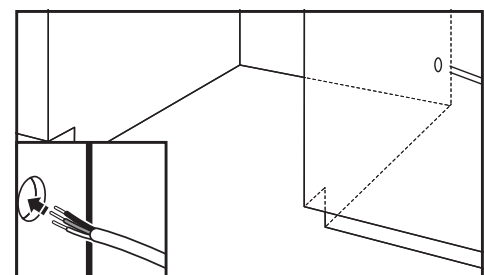
Cabinet Preparation and Wire Routing

- The wiring may enter the opening from either side, the rear, or the floor within the shaded area (pictured above.)
- The electrical connection is on the front right of the dishwasher.
- Drill a 1.5 in. (3.81 cm) maximum diameter hole to run the electrical cable through the wall of the cabinet.
- The hole must be free of sharp edges. If the cabinet wall is metal, the hole edge must be covered with a bushing or rubber grommet.
- Cable direct connections may pass through the same hole as the drain hose and hot water line, but power cords with plugs must pass through a separate hole.

Direct Wire Route Cable

If installing with direct wire, route cable as shown. Route cable from power supply through cabinet hole.

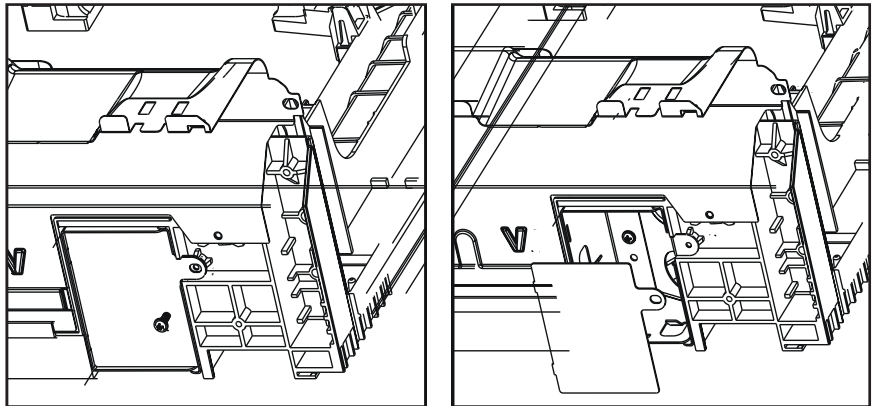
IMPORTANT If removing a previous dishwasher with a power cord, you will need to transfer power cord to the new dishwasher.



INSTALLING THE DISHWASHER (continued)

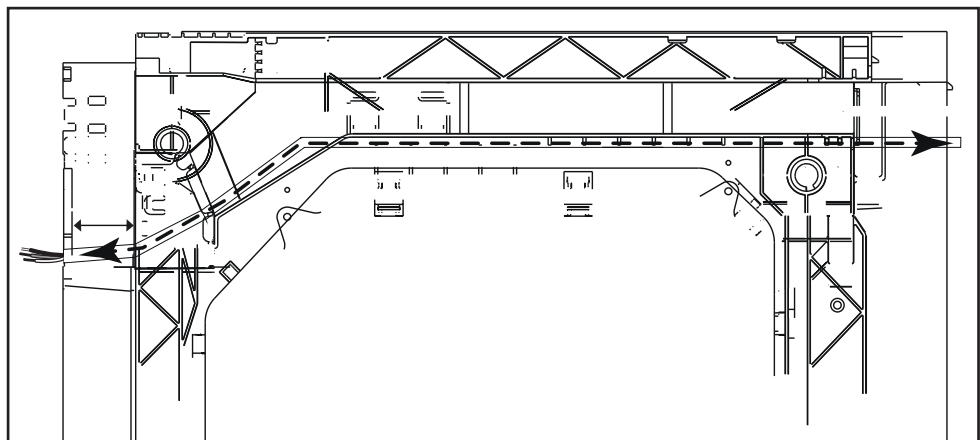
Remove Junction Box Cover

While the machine is on its back, use a Phillips screwdriver to remove the screw that holds junction box cover. Remove cover and retain it for later use.



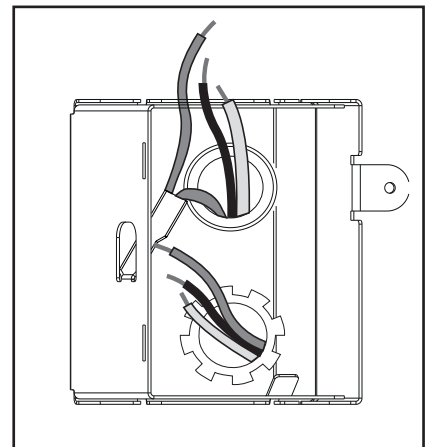
Power Cord - Route Cord

Route cord through the dishwasher base and tape it as shown. The free length of the cord shall be at least 6 inch (15.2 cm). This will prohibit cable from moving when dishwasher is moved into cabinet opening.



Tighten strain relief screws in order to secure cord.

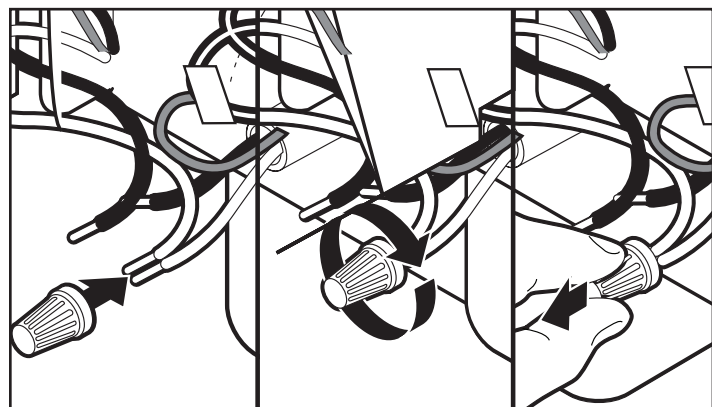
IMPORTANT A maximum of 2 power cord supply conductors (16 AWG) plus 1 grounding conductor (16 AWG) are permitted in the junction box.



Power Cord - Connect Wires

Select UL listed/CSA approved twist-on wire connectors of the proper size. See the "Other Parts Needed" section at the front of the guide for part details. Wires with soldered ends will be joined. Twist on wire should be made from solder parts. Connect wires, black to black, white to white, green to green, using the twist-on wire connectors.

IMPORTANT Do not pre-twist stranded wire. Twist on wire connector. Gently tug on wires to be sure both are secured.



INSTALLING THE DISHWASHER (continued)

| WIRING CONFIGURATION | |
|----------------------|-------------------|
| Power Supply Wire | Terminal Box Wire |
| White | White |
| Black | Black |
| Ground Wire | Ground Connector |



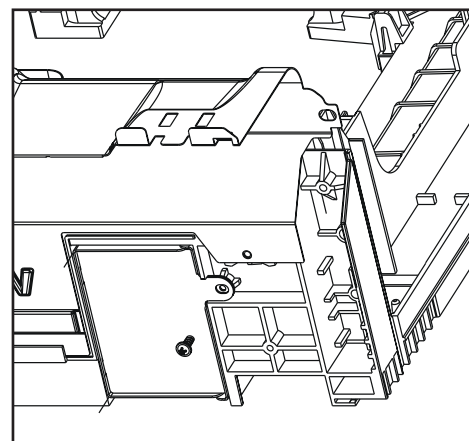
WARNING

This appliance must be connected to a grounded metal, permanent wiring system, or an equipment grounding conductor must be run with the circuit conductors and connected to the equipment grounding terminal or lead on the appliance.

Improper connection of the equipment ground conductor creates a risk of electric shock. Consult a qualified electrician or service person if you have any doubts as to whether the appliance is properly grounded.

Reinstall Junction Box Cover

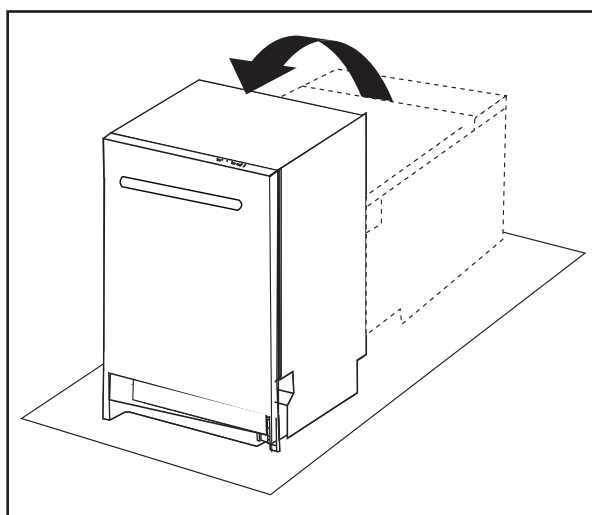
Place cables inside the junction box. Close the cover by using Phillips screwdriver and screw removed in "Remove Junction Box Cover" (page 14.) Make sure wires are tucked inside the box and not pinched by the cover.



Placing the Dishwasher in Cabinet

Stand dishwasher upright

Using 2 or more people, stand the dishwasher up. Slowly move dishwasher completely into cabinet opening. Do not kink or pinch water line, drain hose, power cord or direct wire between dishwasher and cabinet.

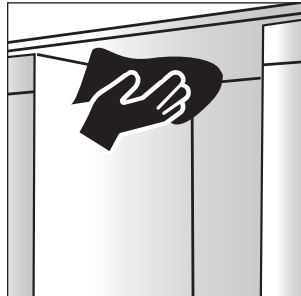


INSTALLING THE DISHWASHER (continued)

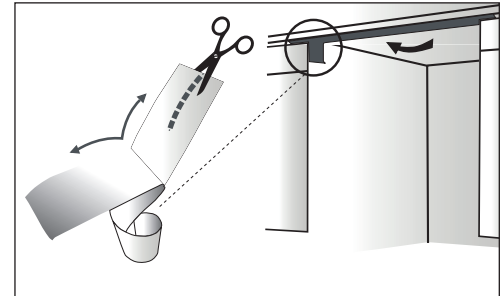
Steam Protection Foil

Steam will be output when the dishwasher door is opened during the operation of the dishwasher and after completion of the working cycle. In order to prevent the resulting steam from collecting and damaging at the underside of the counter top, use a steam protection foil included in the plastic bag.

1. Clean the surface with a damp cloth before applying steam protection foil to the underside of the counter top.



2. Apply foil as shown at right.



Preparation for Installing Mounting Plastics

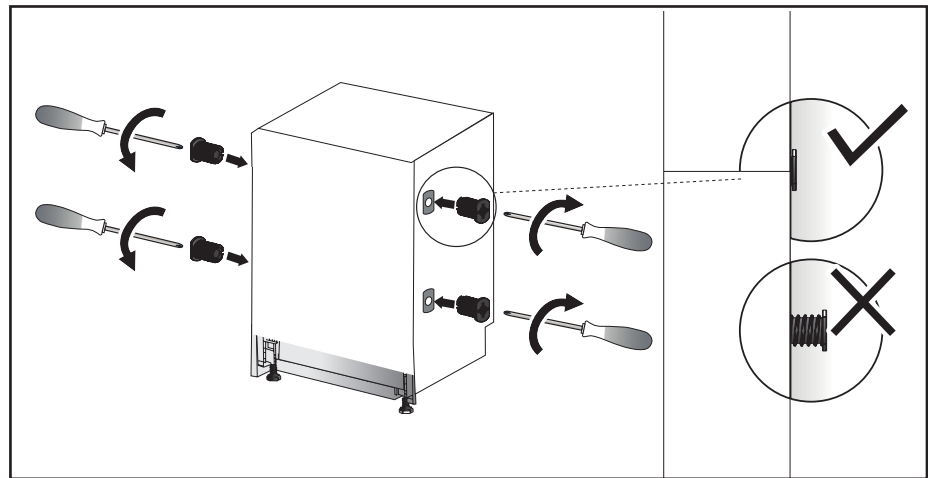
IMPORTANT Cabinetry mounting plastics and screws in the plastic bag should be used when the dishwasher is installed in the cabinetry. Use of any part other than the mounting parts may result in damage to property or bodily injury.

Cabinetry mounting plastics should be assembled with a screwdriver in the marked areas as shown.

IMPORTANT

Cabinetry mounting plastics should not remain outside. They should fit flush inside the side panel. Protruding mounting plastics will prohibit the dishwasher from being properly placed within the cabinetry.

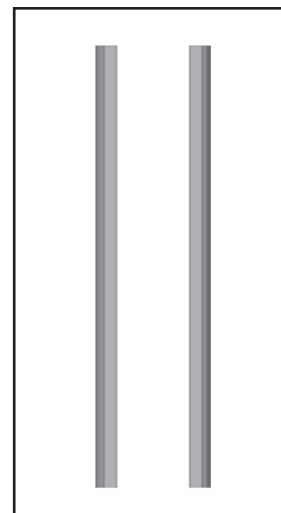
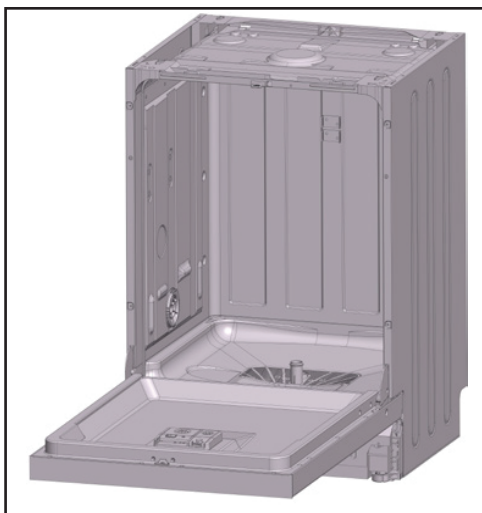
It is recommended not to use a drill.



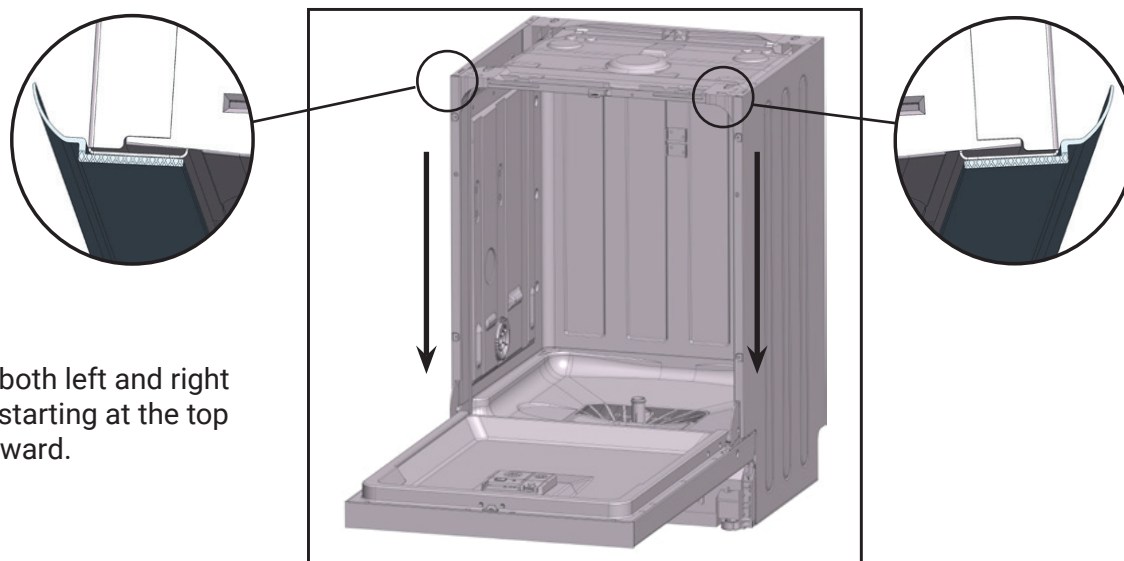
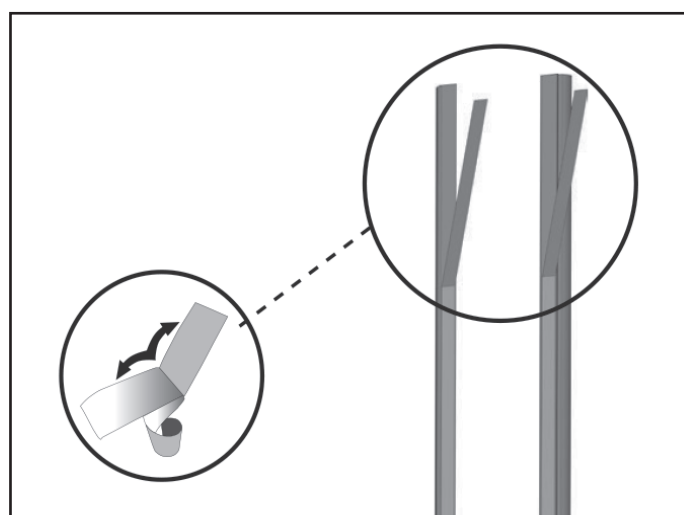
INSTALLING THE DISHWASHER (continued)

Installing the side trims

Open the dishwasher and locate side trims (included in parts bag)



Remove and discard the backings from the adhesive edges of the trims

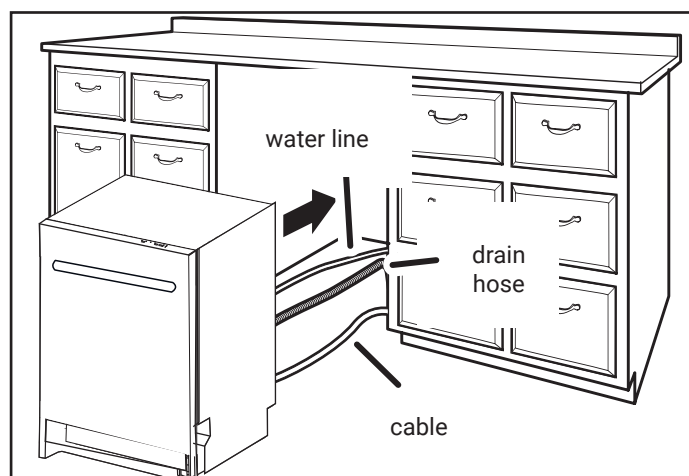


Affix side trims to both left and right front sides of tub, starting at the top and working downward.

INSTALLING THE DISHWASHER (continued)

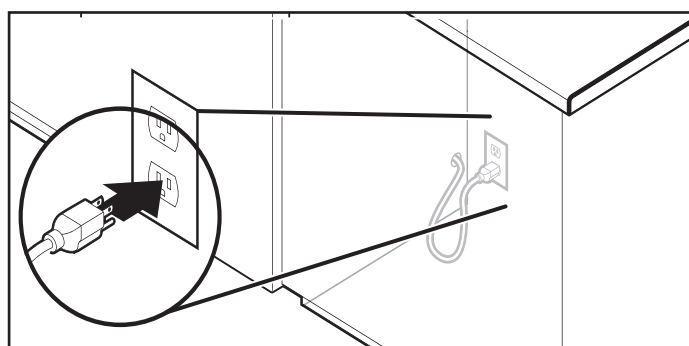
Moving Dishwasher Close to Cabinet Opening

Route the utilities through the holes in the cabinet, and pull the slack out at the same time as the dish-washer is pushed into the cabinet.



Power supply cord

Plug into a grounded 3 prong outlet (only if connecting dishwasher with power cord)

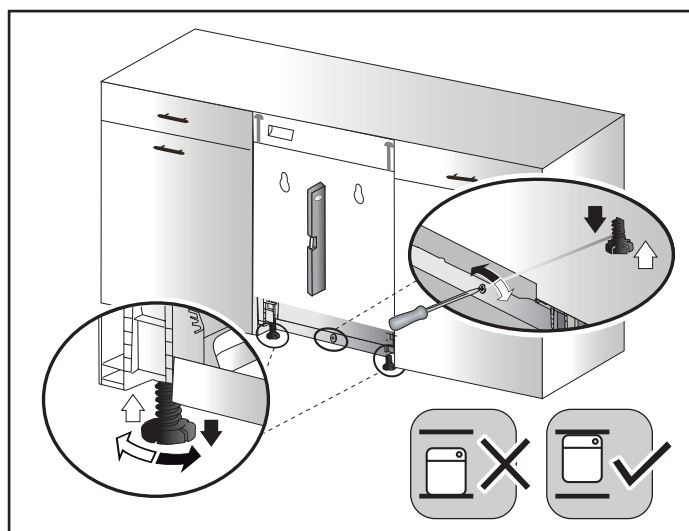


Adjusting Height

1. Before the dishwasher is placed in the cabinetry, the front feet are closed until the end and the dishwasher is placed in the cabinetry.
2. Adjust the forefoot level by hand to stabilize the dishwasher and raise it to the enclosure height.
3. Adjust the rear foot level with a Phillips screwdriver to balance and raise the dishwasher to the enclosure height.

IMPORTANT

- Make sure the dishwasher is plumb/level and notice dishwasher can be placed with a small clearance under the counter top.
- For front feet; turning the feet clockwise with the slot screwdriver allows the dishwasher to move downwards.
- For rear foot; Turning the Phillips screwdriver in the direction of the white arrows will lower or raise the height of the dishwasher.

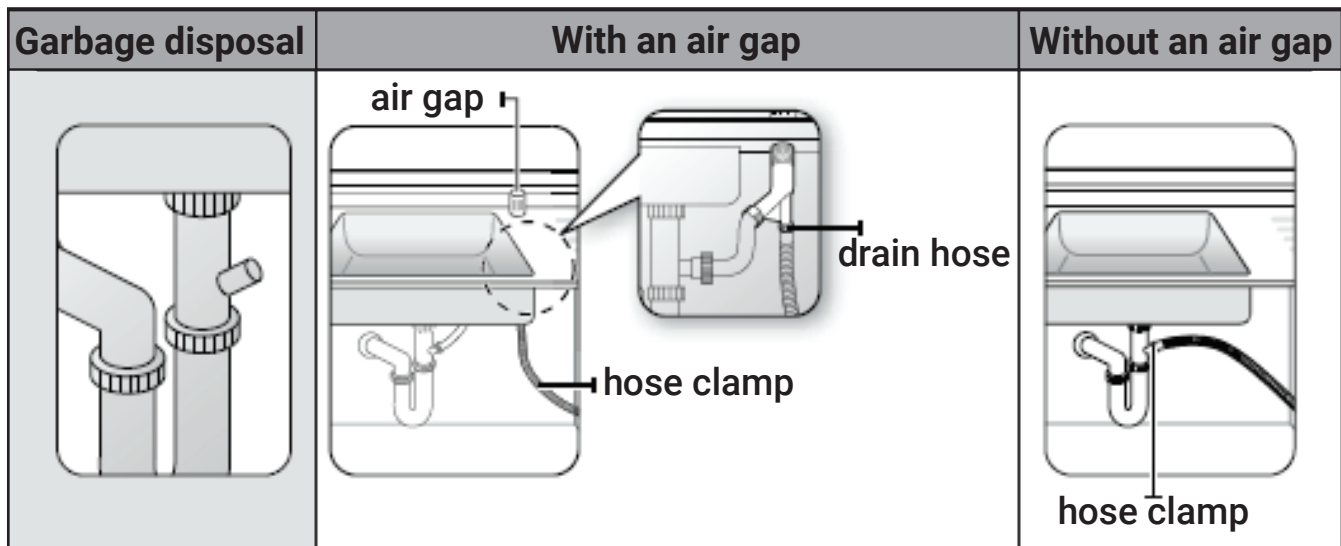


INSTALLING THE DISHWASHER (continued)

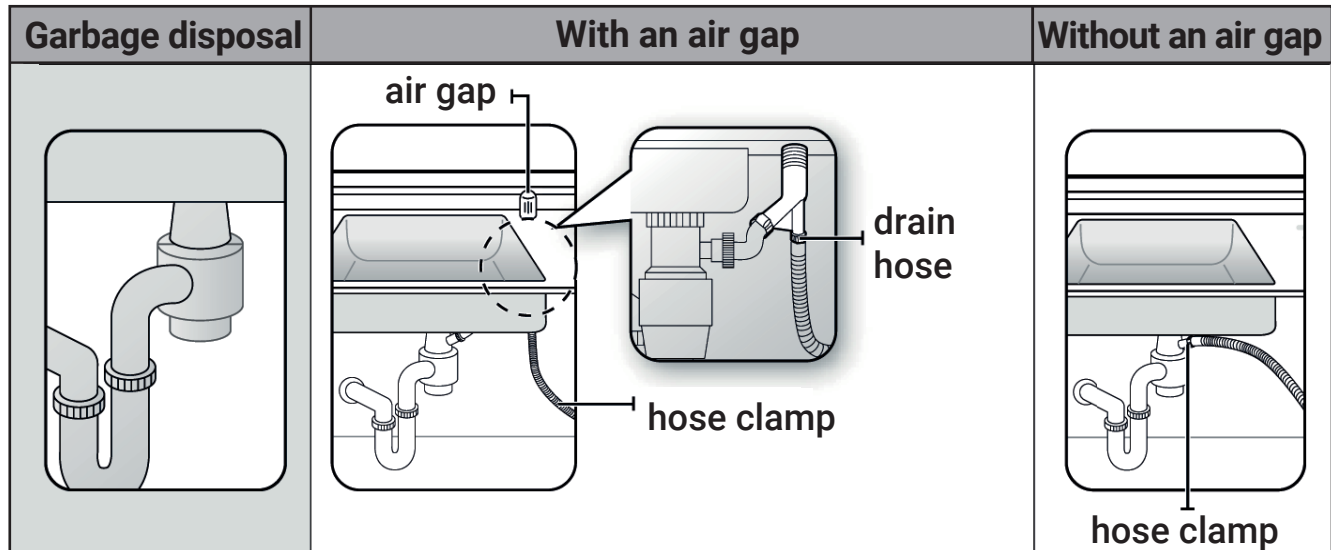
Drain Hose Connection

1. Check the parts on the sink to which the drain hose will be connected.
2. There are several ways to insert the drain hose into the drain hose connector of the sink, as shown in the following figures. The drain hose must be connected in accordance with the water pipe installation regulations in your region.

Without Disposal



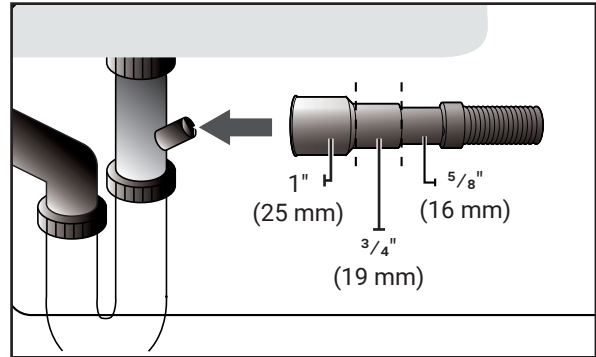
With Disposal



INSTALLING THE DISHWASHER (continued)

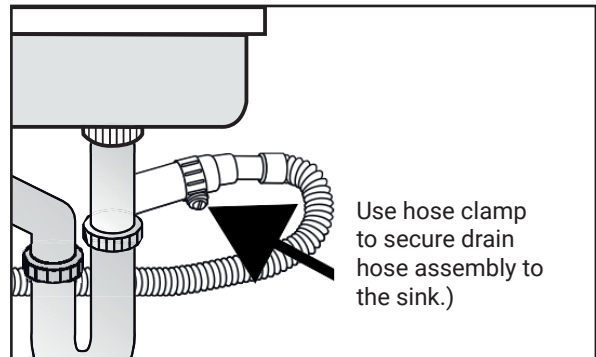
3. Check the size of the sink's drain hose connector. If needed, cut the drain hose so its end fits onto the sink connector ($\frac{5}{8}$ in., $\frac{3}{4}$ in. or 1 in. - as shown at right). If the end of the drain hose does not fit onto the drain hose connector of the sink, use an adaptor purchased from a plumbing/hardware supply store.

NOTE: If necessary, cut off the dotted line of the drain hose to fit the size.

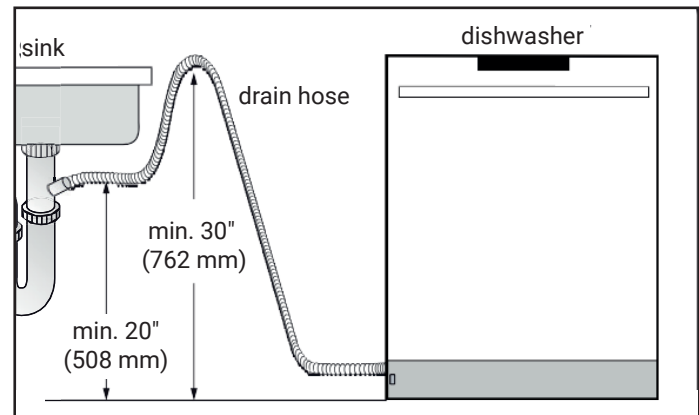


4. Slide a hose clamp over the end of the drain hose. Attach the drain hose to the sink connector, slide the hose clamp to the end of the hose, and then tighten the hose clamp.

NOTE: A hose clamp must be used. Failure to do so may cause water leakage.



5. If there is no air gap, make sure to hang the middle of the drain hose well above the sink cabinet base to prevent back flow (as shown at right).
6. When drilling a hole for the drain hose on the cabinet wall, take caution not to damage the drain hose by sharp edges of the hole. For wooden walls, use sandpaper to soften the edges. For metal walls, use insulation tape or duct tape to cover the sharp edges around the hole.



7. Take caution not to damage the drain hose when installing the dishwasher on the floor, wall, or cabinet. To prevent leaks or drainage problems, make sure the drain hose is not damaged, kinked, or twisted.
8. Do not cut the ribbed area of the drain hose. When arranging the drain hose, take caution not to contact sharp edges of the cabinet or under sink.
9. Be careful when cutting off the end of the drain hose as there is a risk of injury. Clean around the sink's drain connection so that it does not damage the hose. Check for any foreign items in the drain hose and remove them.
10. When arranging the drain hose, make sure the drain hose is not cut, torn, or broken by any sharp edges of the floor, the product itself, or the cabinet. A damaged drain hose can leak.

INSTALLING THE DISHWASHER (continued)

Position the Dishwasher Under the Countertop

IMPORTANT Check tub insulation blanket, if equipped. It should be positioned so it is not bunched up or interfering with door springs. Check by opening and closing the door.

- 1 Position the dishwasher in front of the opening, then slide the dishwasher into the opening a few inches at a time.
- 2 Push the dishwasher into the cabinet. The front corners of the dishwasher door should be flush with the cabinet doors. Be careful not to dent the front panel with your knees or damage the countertop or cabinets with dishwasher parts.

IMPORTANT You will not have access to the back leveling legs once the dishwasher is put in place.

Do not push against the front door panel with your knees. You will damage the front panel.



Reposition the dishwasher by grasping both sides with your hands.

INSTALLING THE HANDLE

Installing the Handle (optional)

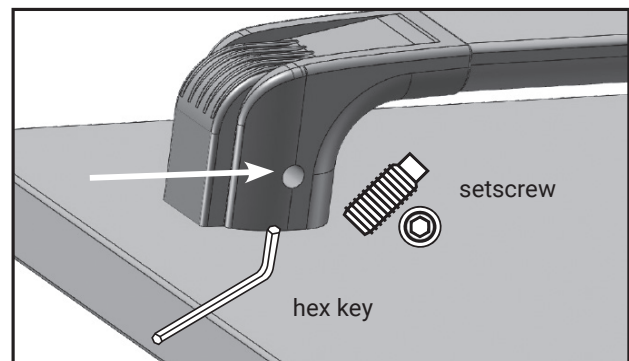
Remove the door handle, hex key and setscrew from the packaging

1. Align the handle with the front mounting pins on the panel.
2. Push the handle onto the pins until it is flush with the panel. Ensure the mounting screws face downward.



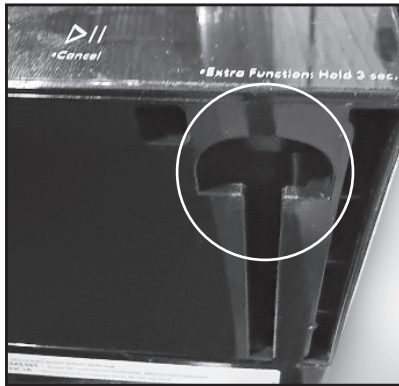
Using the provided hex key, tighten the two mounting screws located on the underside of the handle. Retain hex key with Installation Instructions.

IMPORTANT Do not scratch the front panel during this procedure. Handle is easiest to install while panel is on its back.

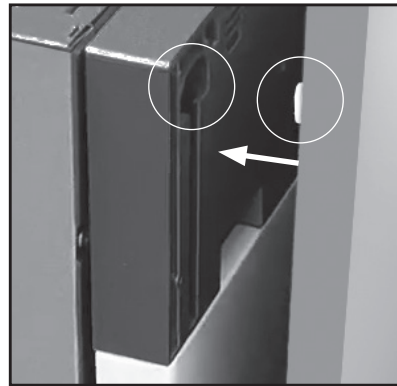


INSTALLING THE DOOR PANEL

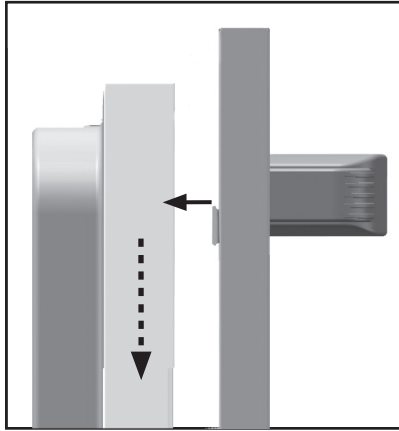
Mounting the panel on the dishwasher door (optional)



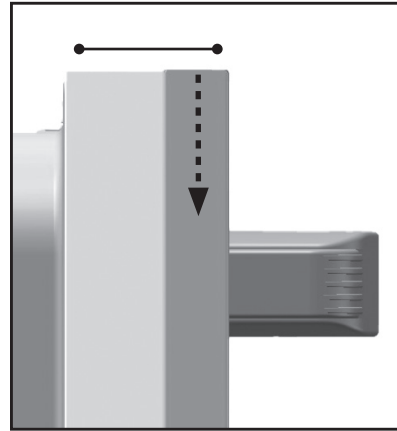
Location of drop-in slots on dishwasher door for panel installation



To install the panel, lift the panel upwards to align its mounting tabs with the drop-in slots on the dishwasher door.



Insert the panel tabs into the slots and guide the panel downwards.



Slide the panel downwards until it is firmly seated and its top edge is flush with the top of the dishwasher.



Ensure panel edges are aligned and its top edge is flush with the top of the dishwasher.

INSTALLING THE DOOR PANEL (continued)

Custom door panel installation

Align the rear panel mounting pins with the slots on the front of the dishwasher.

TIP: Use clamps/tape to align the panel edges and top corners precisely. Adjust clamps as needed to maintain proper alignment during installation.

- Open the dishwasher door to access the mounting screw locations. **NOTE: The screws located at A and B are installed at the factory and must remain in place (as shown at right.)**
- Following the sequence shown in the installation diagram at right, remove each of the 6 existing $\frac{1}{2}$ " screws one at a time, and replace it with a $1\frac{3}{4}$ " screw provided with the panel.

IMPORTANT: Use only the screws provided with the panel for mounting. Screws provided with the dishwasher are for wooden cabinetry mounting only.



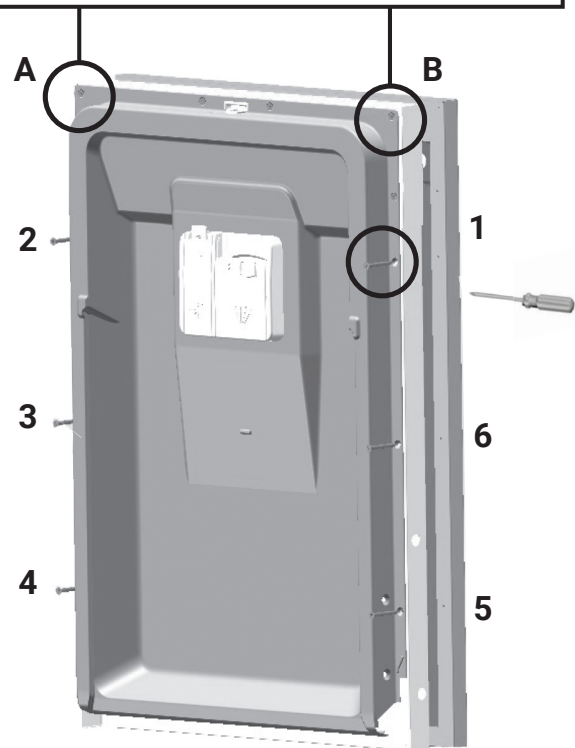
NOTE: Do not use an impact drill - if screws are overtightened, they can damage the panel.

WARNING: Do not remove all 6 screws at once.

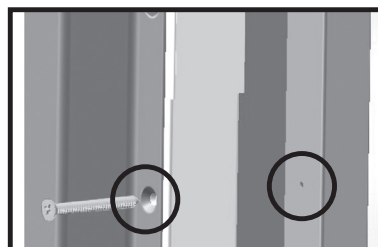
Use new $1\frac{3}{4}$ " (3.8 cm) screws to fix the door panel on the door in the order shown at right.

- After installing the first two screws (1-2, shown at right), close the dishwasher door and verify that the panel is properly aligned.
- Once alignment is confirmed, install the remaining four screws (3-6, shown at right)

NOTE: The screws located at A and B are installed at the factory and must remain in place. Do not remove.



TIP: The screw holes on door are the same position as door panel. Shining a flashlight through the holes can make panel alignment easier.



IMPORTANT: If you are planning to replace the door panel after its initial installation, be sure to keep the original screws.

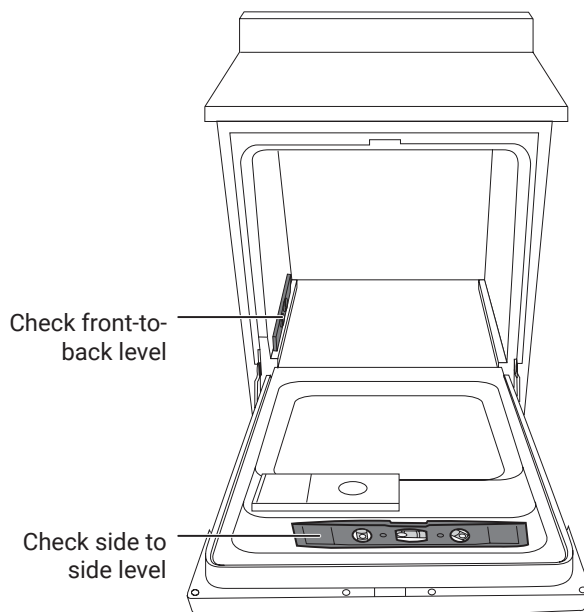
INSTALLING THE DISHWASHER (continued)

Level the Dishwasher

IMPORTANT The dishwasher must be level for proper dish rack operation and wash performance.

1 Open the door, then place a level on the door and on the rack track inside the tub to make sure that the dishwasher is level.

2 Level the dishwasher by adjusting the four leveling legs individually.



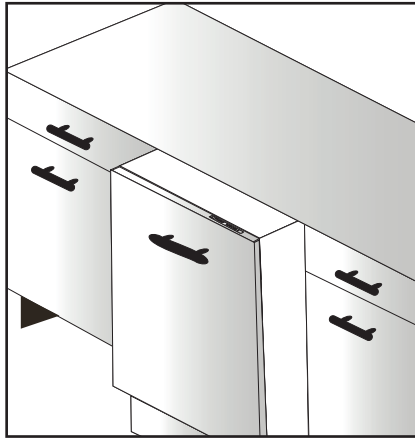
IMPORTANT Pull the lower rack out about halfway. Make sure that the rack does not roll forward or back into the dishwasher. If the rack rolls in either direction, you must level the dishwasher again.

IMPORTANT You may need to pull your dishwasher out of the cabinet if major adjustments to the four leveling legs are required.

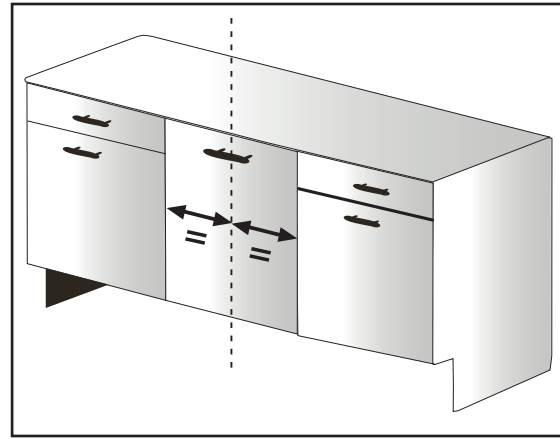
INSTALLING THE DISHWASHER (continued)

Positioning the Dishwasher in Cabinet

The dishwasher must be placed centered and correctly as shown below:

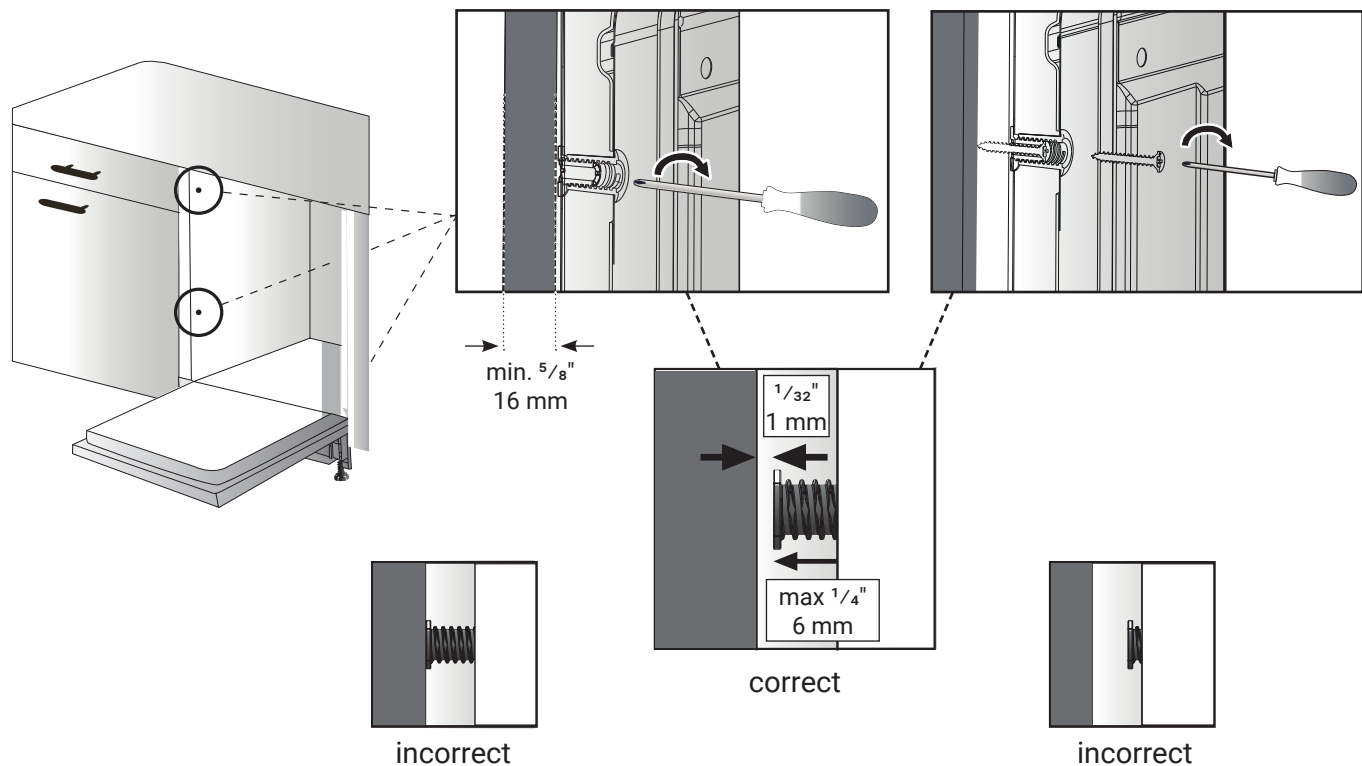


incorrect



correct

Cabinetry mounting plastics previously placed to the dishwasher are also fixed in the cabinetry with screws $\text{Ø } 5/32'' \times 1 1/8''$ ($\text{Ø } 4\text{mm} \times 28\text{mm}$). Before screwing, use a Phillips screwdriver to adjust the gap between the dishwasher and the cabinetry to be about 1mm with cabinetry door plastics.

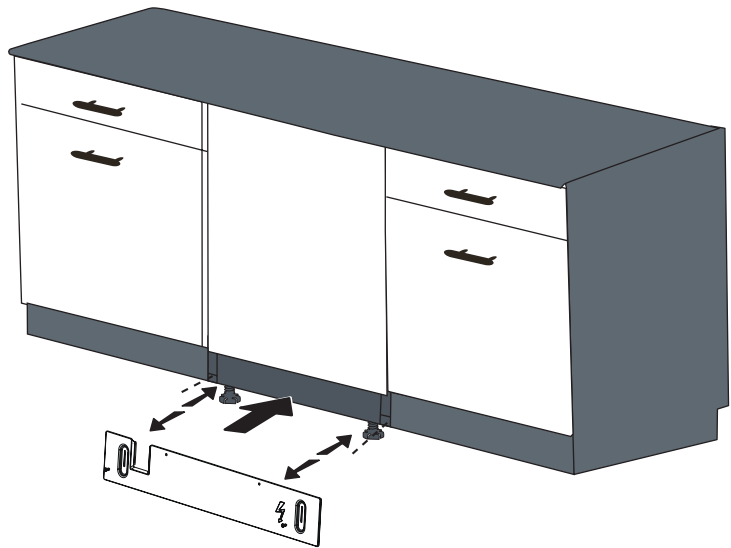


IMPORTANT It is recommended not to use a drill.

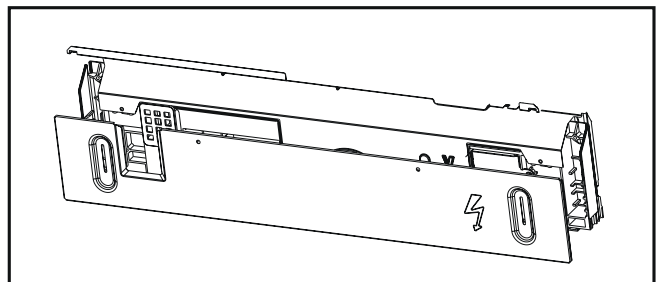
INSTALLING THE DISHWASHER (continued)

Adjusting the Access Panel

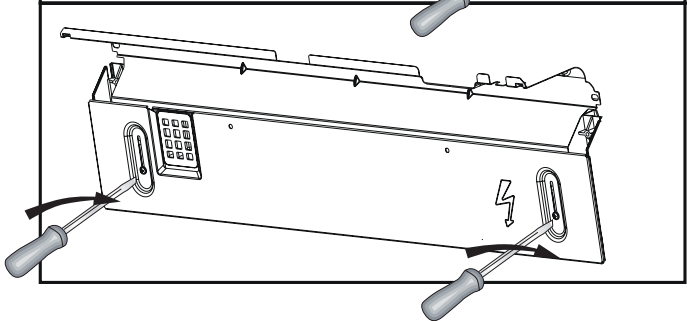
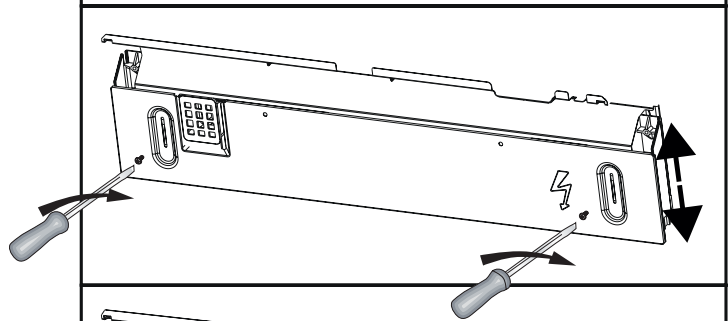
After adjusting the dishwasher height with the adjustable feet, the access panel can be installed.



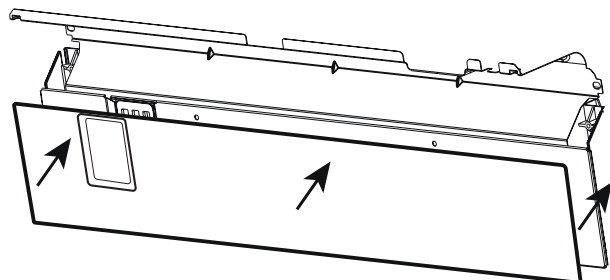
Place the access panel at the bottom of the dishwasher. Insert mounting screws, but do not tighten completely.



Adjust positioning of the access panel to conceal any gaps between the dishwasher and the floor. Tighten screws completely.



(optional) Position the magnetic kickplate over the access panel and guide it into place. (the magnetic kickplate is only provided with panel)



INSTALLING THE DISHWASHER (continued)

Install Checklist

Your installer must have completed the following:

- The dishwasher is square in the cabinetry and leveled.
- The dishwasher is fastened securely to the cabinetry.
- The dishwasher door opens and closes freely. The dishwasher door must close without hitting any cabinetry or the countertop.
- The inlet water supply is turned on and checked for leaks.
- The drain hose has been connected and checked for leaks. There must be no kinks or obstructions in the drain hose.
- The drain hose must be installed with a 30" (76.2 cm) high drain loop for drain hook-ups without any air removed.
- If you connect the water drain hose to a tap spigot under the sink, remove the plastic membrane. If you do not remove the entire membrane, the remaining food can cause a blockage in the drain hose spigot.
- The spray arms are free and rotate freely.
- The rinse cycle has been run.
- The water level will be below the filter screen after the end of the wash program. It is normal to find some water in the drain filter area.

Quick Start Instructions

1. Press the On/Off button to turn the dishwasher on.
2. The power indicator light will illuminate.
3. Use the Program Select button to choose a washing program.
4. Start the program with the Start/Pause/Cancel button.
5. Run the dishwasher through one complete cycle. When the wash cycle is completed, use the On/Off button to turn the dishwasher off.

IMPORTANT If the dishwasher does not operate properly, refer to the troubleshooting hints below.

Troubleshooting

| Problem | Possible Solution |
|---|---|
| The screen does not come up | <ul style="list-style-type: none">• Check to make sure the breaker to the dishwasher is in the on position.• Check to make sure that the Supply cord is plugged. |
| No water is flowing into the dishwasher | <ul style="list-style-type: none">• Check to make sure the water shutoff is in the ON position. |
| Water does not drain | <ul style="list-style-type: none">• Make sure drain hose is not kinked or comes out of air gap next to the sink.• Remove drain hose from disposal making sure plug is removed. |

If your dishwasher is not operating properly after following these steps: Contact your dealer to schedule an authorized service agent to inspect your new dishwasher for any function related failure.

RATING PLATE / WIRING DIAGRAM

UNIQUE
APPLIANCES

Model / Modèle: UNQ-DW24CT PR
Type Number: IDHSD72B3R42B12
MADE IN TURKEY
(Fabriqué en Turquie) ID:572244

120 V / 60 HZ 12 A

(M) 0,9 A



Energy Verified



LISTED
XXXXXX

HOUSEHOLD DISHWASHER
LAVE-VAISSELLE DOMESTIQUE



SN:00000000000000000000

XXXXXXXXXXXXXXXXXXXX

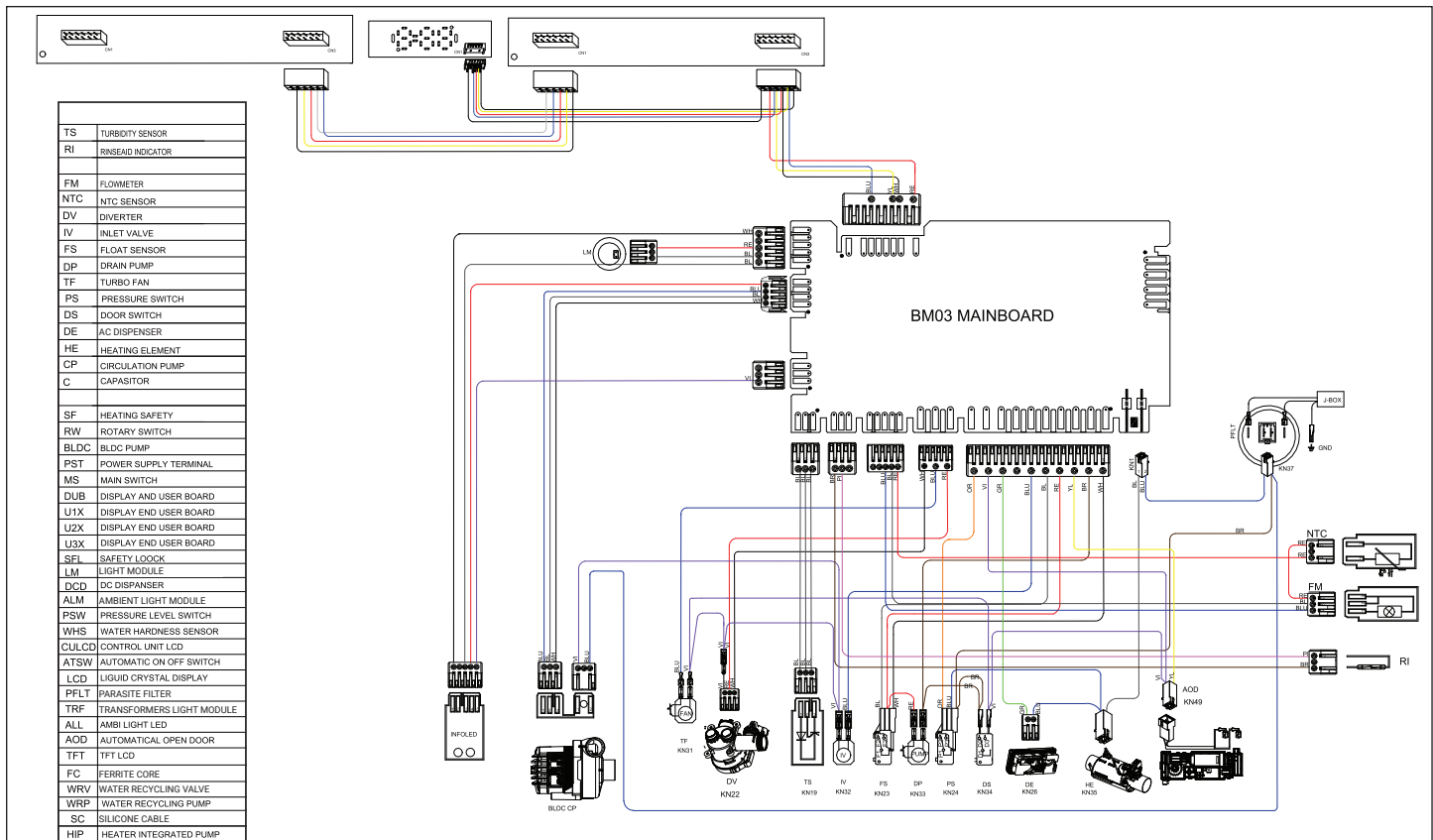


WARNING

Disconnect electrical power before servicing.

CAUTION

Label all wires prior to disconnection. Wiring errors can cause improper and dangerous operation. Verify operation after servicing.



WARRANTY

Unique Appliances Ltd. (hereafter "Unique") warrants that this UNIQUE appliance is free from manufacturer's defects in material and workmanship under normal usage and service under the following terms.



Parts Warranty

This appliance has been designed for domestic household use. If properly installed, adjusted and operated under normal conditions in accordance with printed instructions, it will satisfactorily perform the functions that are generally expected of this type of appliance.

If the appliance fails to do so because of a defect in material or workmanship within one year from the original date of purchase: Unique will at our option, repair, exchange, or correct by other means Unique consider appropriate, any part(s) Unique finds to be defective except for the surface finish.

Ownership

This Warranty is made only to the first purchaser ("original purchaser") who acquires this appliance for his/her own use and will be honored by Unique Appliances and by the Seller. Purchaser must retain their receipt as proof of purchase date.

Warranty Conditions

This warranty does not apply to any appliance that has been subjected to alterations, misuse, abuse (including damage by foreign agents or chemicals), accident, improper installation or service, delivery damage, or other than normal household use and service. This UNIQUE appliance must be serviced regularly as outlined in the Owner's Manual. In case of damage, the owner must provide proof of purchase, Model, and Serial Number to the selling dealer or Unique Appliances. This warranty is LIMITED STRICTLY to the terms indicated herein, and no other expressed warranties or remedies thereunder shall be binding on Unique.

Purchaser's Responsibilities

The purchaser will be responsible for the costs of any service calls requested to demonstrate or confirm the proper operation of the appliance, the installation, or to correct malfunctions in the appearance created by the operation of the appliance in a manner not prescribed by or cautioned against in the use and care instructions.

Model and Serial Number

The appliance model number and serial number can be found on a rating plate on the range. The purchaser should always refer to the model and serial number when talking to or contacting the dealer from whom the appliance was purchased.

EXCLUSIONS

Save as herein provided, by Unique, there are no other warranties, conditions, representations or guarantees, express or implied, made or intended by Unique or its authorized distributors and all other warranties, conditions, representations or guarantees, including any warranties, conditions, representations or guarantees under any Sale of Goods Act or like legislation or statute is hereby expressly excluded. Save as herein provided, Unique shall not be responsible for any damages to persons or property, including the unit itself, howsoever caused or any consequential damages arising from the malfunction of the unit and by the purchase of the unit, the purchaser does hereby agree to indemnify and hold harmless Unique from any claim for damages to persons or property caused by the unit

Removal or disfigurement of the rating plate will void the warranty. The purchaser will be responsible for any expenses involved in making the gas range readily accessible for servicing. The purchaser will be responsible for any extra charges where the installation is in a remote location such as un-assumed roads, islands, areas known as cottage country, more than 75 km outside a Metropolitan area, or where a technician is not available. Freight damage is not covered by this warranty.

GENERAL PROVISIONS

No warranty or insurance herein contained or set out shall apply when damage or repair is caused by any of the following:

- 1) Power failure.
- 2) Damage in transit or when moving the appliance.
- 3) Improper power supply such as low voltage, defective house wiring or inadequate fuses.
- 4) Accident, alteration, abuse or misuse of the appliance such as inadequate air circulation in the room or abnormal operating conditions (ie. extremely high or low room temperature).
- 5) Use for commercial or industrial purposes (ie. If the appliance is not installed in a domestic residence).
- 6) Fire, water damage, theft, war, riot, hostility, acts of God such as hurricanes, floods etc.
- 7) Service calls resulting in customer education.
- 8) Improper Installation (ie. Building-in of a free standing appliance or using an appliance outdoors that is not approved for outdoor application, including but not limited to: garages, patios, porches or anywhere that is not properly insulated or climate controlled).

Proof of purchase date will be required for warranty claims; retain bills of sale. In the event that warranty service is required, present the proof of purchase to our authorized service depot

Nothing within this warranty shall imply that Unique will be responsible or liable for any direct or indirect loss of foods caused by failure in operation.

Factory Assistance

If the purchaser is unable to locate an authorized dealer/service agent, or if the purchaser does not receive satisfaction from the dealer, they may contact Unique Appliances Customer Service directly at Toll Free 1-877-427-2266 or 905-827-6154.

APPLIANCE INFORMATION

To make care and servicing of your appliance easy and efficient, please record the following information for future reference:

Model:

Serial Number:

Purchased From:

Date Purchased:

PRODUCT REGISTRATION



Scan the QR Code

or

Visit our website at <https://uniqueappliances.com/pages/product-registration> to register your product.

CONTACT US

For questions related to the operation, safety or the purchase of your appliance, please contact your dealer for more information. For general information, contact our customer service department:



Email

info@UniqueAppliances.com



Toll-free

1 877 427-2266 or 1 905 827-6154
(available during regular business hours,
8:30 am to 4:30 pm, EST.)



Website

www.uniqueappliances.com



©2025 Unique Appliances Ltd., 2245 Wycroft Road #5,
Oakville, Ontario, Canada, L6L 5L7

www.uniqueappliances.com