

Job Name:	
Submitted By:	



Submittal Sheet For: **CB048GMSILDFHG / YN048GMSI20RUG**

Date \_\_\_\_\_  
 Ref. \_\_\_\_\_

**Ceiling Cassette Ductless 19SEER Inverter Heat Pump**

System Full Set Model: **CYB048GMSI20RL**  
 AHRI Reference Number: **218010992**

**Cooling Mode Performance**

Rated Cooling	48,000 BTU/hr
Ambient Range	5~131°F
SEER2 Rating	19.0 BTU/W·h
EER2 Rating	9.5 BTU/W·h

\* 100% Capacity @ Indoor DB 80°F / WB 67°F

**Heating Mode Performance**

Rated Heating	50,000 BTU/hr
Ambient Range	-13~86°F
HSPF2 IV (V)	9.9 (7.7) BTU/W·h
COP2 (47°F)	2.96 W/W

Heating (17°F) = 36,600 BTU / Heating (5°F) = 40,500 BTU / COP2 (5°F) = 2.11 W/W



Ceiling Cassette Indoor Unit



Outdoor Condensing Unit



User-Selected Installation Kit



Handheld Remote Controller

**Electrical Information**

	Cooling	Heating
Rated Input (W)	5,053	4,950
Rated Current (A)	22.5	22.1
Breaker Needed	40A (Double-Pole)	
Power Supply	208~230V, 60Hz, 1Ph	

**Interior Unit (Air Handler) Specifications**

Type	Heat Pump
Sound Level (dBA)	56 (Turbo)/52 (Hi)/50 (Med)/42 (Lo)/38 (Mute)
Auto Air Circulation	8-Way Louver (4 Sides + Corners)
Dimensions (WDH)	32-5/8 in x 32-5/8 in x 11-3/8 in
Weight (lbs)	64.5

**Piping and Refrigerant**

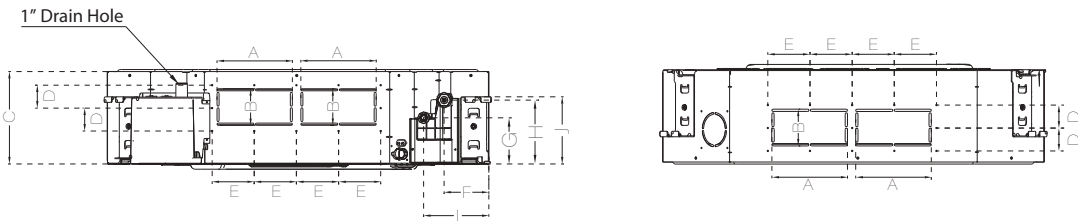
Liquid Line (OD)	3/8 in
Suction Line (OD)	3/4 in
Refrigerant Precharge	R-454b(Supports 10-50 ft.)
Max Length/Height Diff.	250 ft. / 100 ft.

**Exterior Unit (Condenser) Specifications**

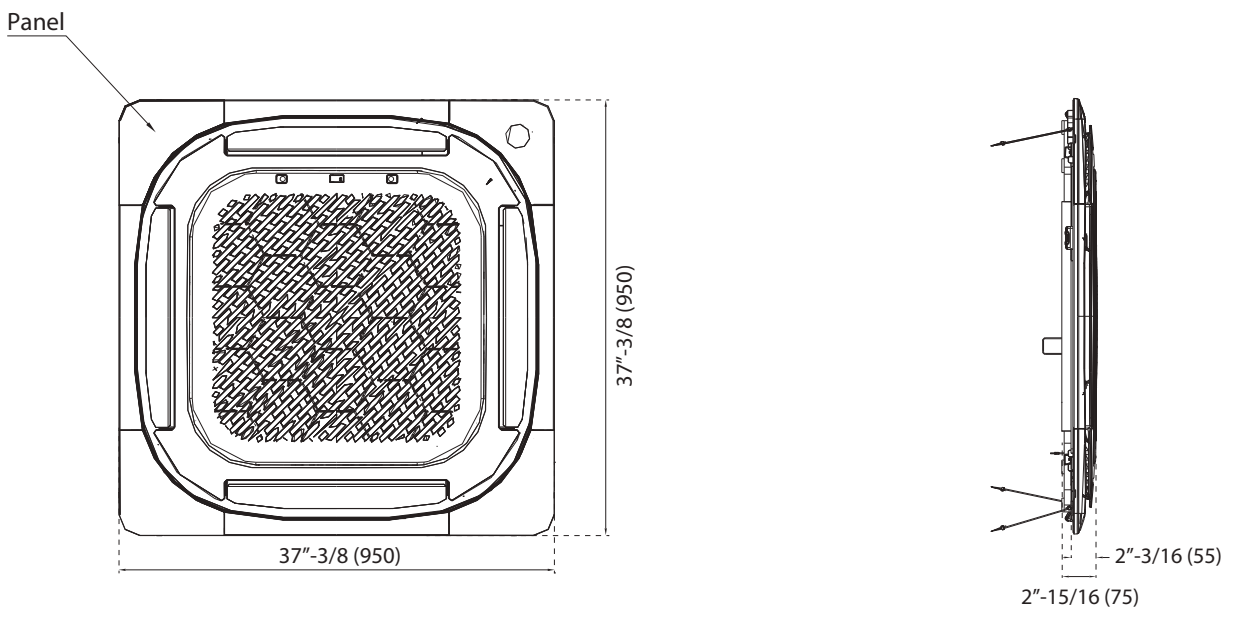
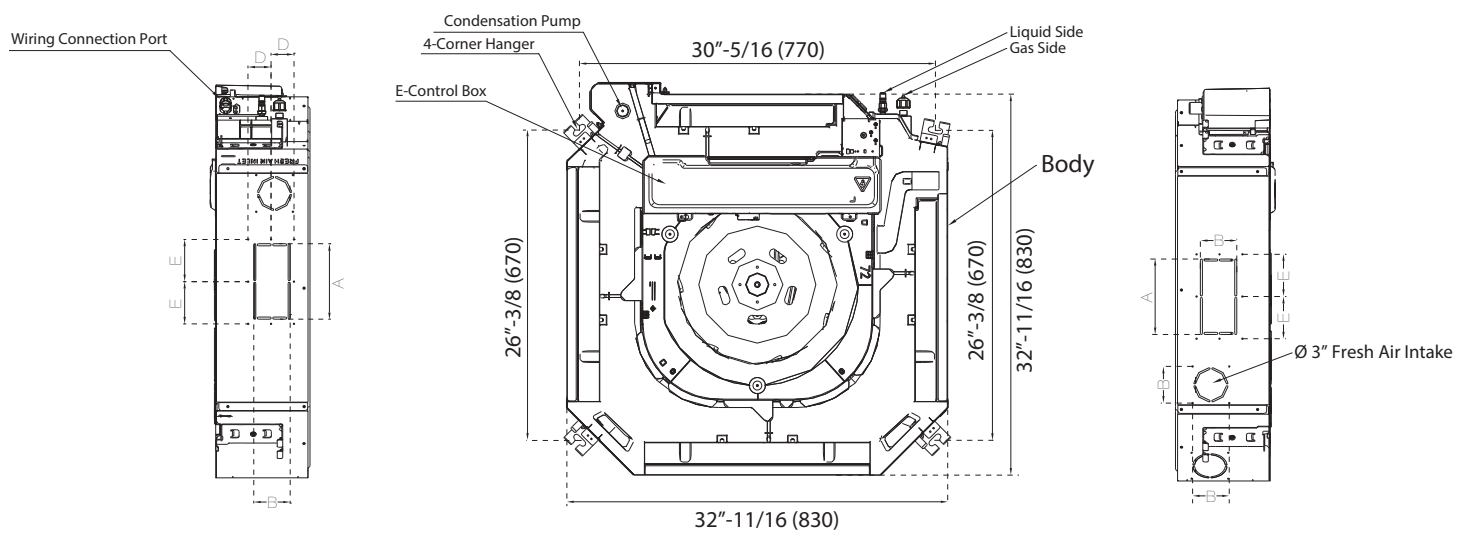
Sound Level (dBA)	64
Recommended Room Size	1,400~1,800 Sq. ft.
Minimum Room Size	143 Sq. ft.
Compressor	Inverter-Driven Rotary
Dimensions (WDH)	37-1/2 in x 16-3/8 in x 52-1/2 in
Weight (lbs)	208.8

**This combination is AHRI/ETL/ISO certified.**

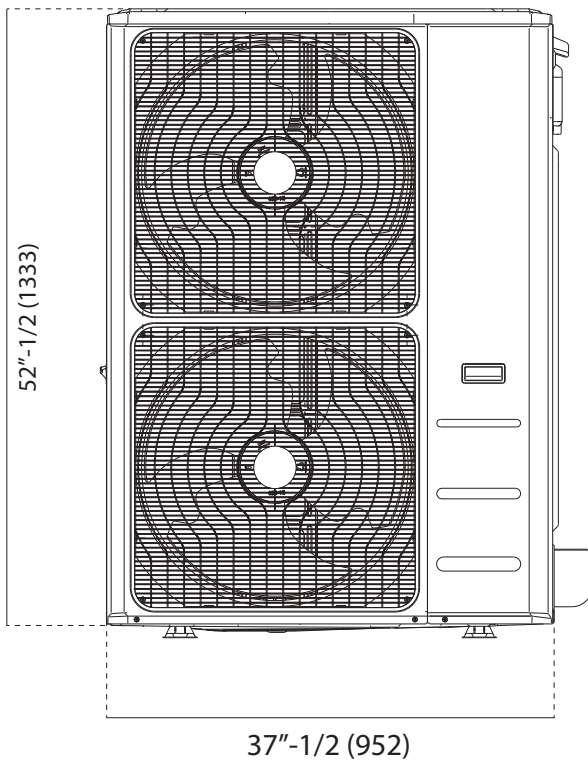
# CB048GMSILDFHG Air Handler Dimensional Data



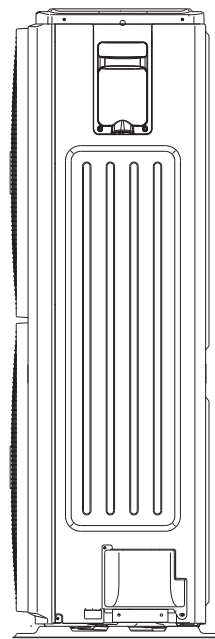
A	B	C	D	E	F	G	H	I	J
165 mm	100 mm	287 mm	60 mm	92 mm	98 mm	101 mm	139 mm	142 mm	146 mm
6-1/2 in.	3-15/16 in.	11-5/16 in.	2-3/8 in.	3-5/8 in.	3-7/8 in.	4 in.	5-1/2 in.	5-9/16 in.	5-3/4 in.



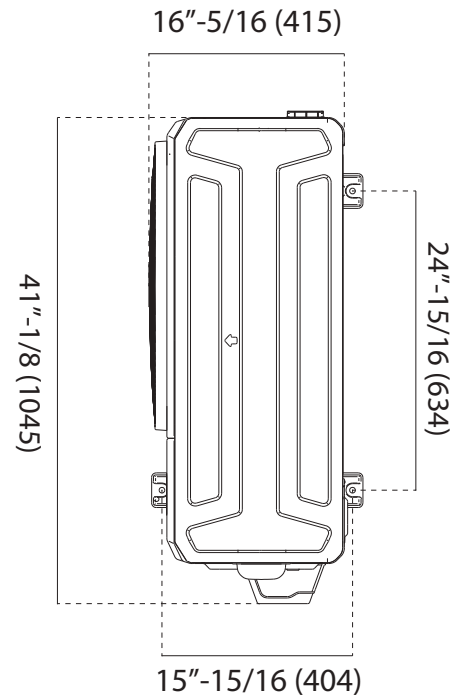
FRONT VIEW



SIDE VIEW



TOP VIEW



All dimensions are in Inches (mm)

### Warranty Information and Length



Complete warranty details are available with the vendor or online at <https://www.pdhvac.com/support/warranty/>. This high quality system is eligible for up to 10 years limited warranty on the compressor, and 7 years on other internal parts. To qualify for this warranty, the system must be installed within 90 days by a registered technician. All other installations that are registered default to 5 years parts/compressor. Products unregistered qualify for only 1 year parts/compressor warranty.

### Outstanding Features

- LED Display
- Energy Saving
- Ultra-Thin Design
- Dual Drain Options
- Customizable Timer
- Eco-Friendly Refrigerant
- Whisper-Quiet Operation
- Power Loss Memory Recovery



### Available Accessories

Part Number	Description
IKT-LCVR4P-KIT	Decorative PVC Line Cover Kit
IKT-LNBR-1/4-3/8	BendAid Flexible Easy Bender Kit
BRK-FRM-C-2P	Folding Mounting Bracket w/ Leveler
IKT-UVL32UL-AG	UVC Bacterial Disinfection Kit
IKT-SURPRK-DV2	Ultimate Surge and Power Protection