

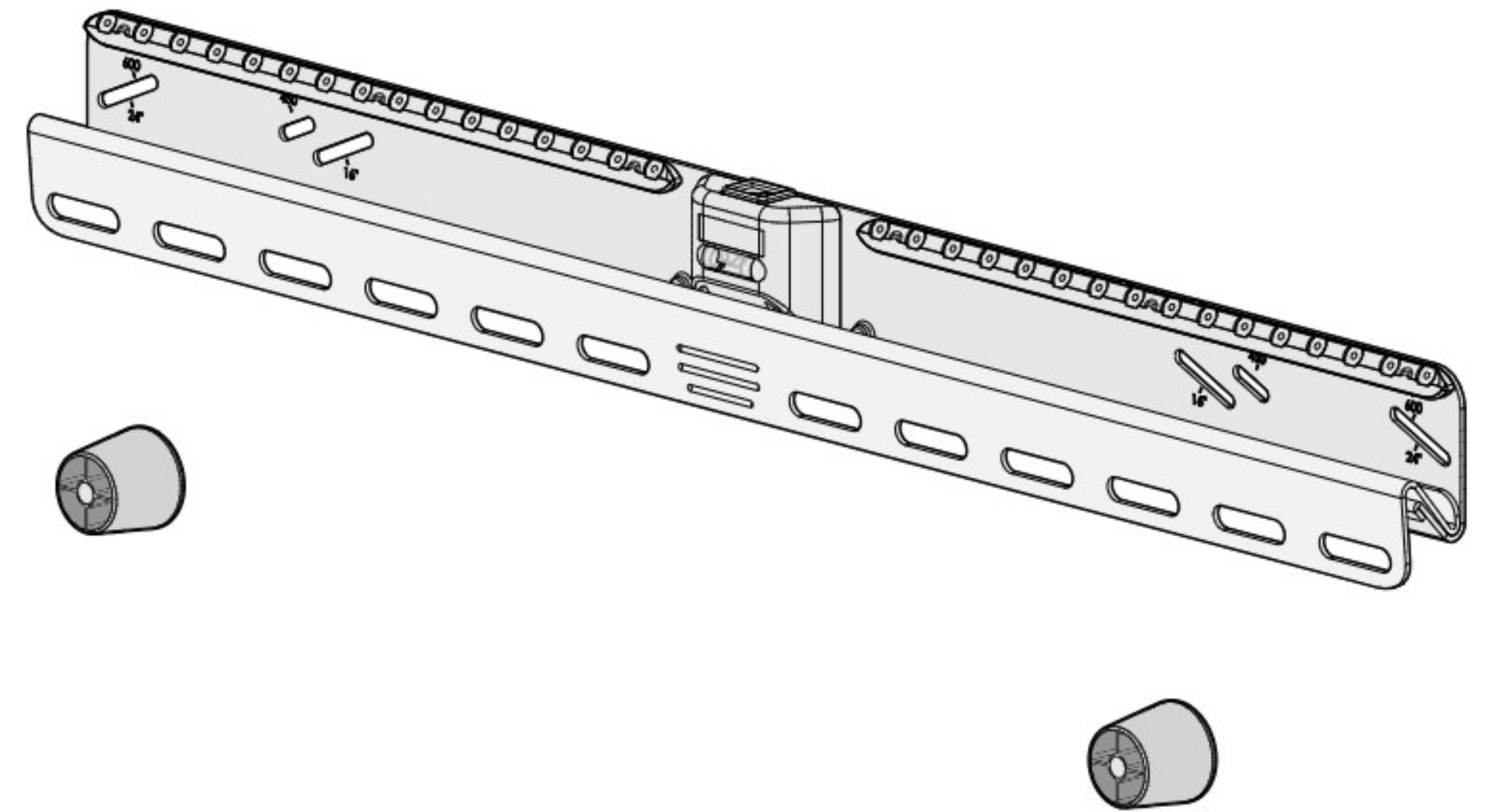
ECHOGEAR

#YourGearUpgraded

EGLD1

Drywall TV Mount

Instruction Manual



ES	Texto en español, página 24
FR	Texte français page 27
DE	Deutscher Text Seiten 30
NL	Nederlandse tekst op pagina 33
SV	Svensk text sida 36
JA	39
ZH	中文文字说明请参见第 42 页
RU	Русский текст: стр. 45

IMPORTANT SAFETY INSTRUCTIONS. READ ENTIRE MANUAL PRIOR TO USE. SAVE THESE INSTRUCTIONS

YEA, THE BORING STUFF ... *but read it, so you don't jack things up!*

1

**TV (PLUS ACCESSORIES)
WEIGHT LIMIT
DO NOT EXCEED**

*"You can think about it ...
but doooooon't do it."*

**100 lbs.
(45.3 kg)**
for
Drywall

**135 lbs.
(61.2 kg)**
for
Wood studs

**135 lbs.
(61.2 kg)**
for
**Solid concrete
or concrete
block**

If your TV weighs more, this mount is NOT compatible. Visit echogear.com to find a compatible mount.

2

ACCEPTABLE WALL TYPES

Drywall

Perfect!

Wood studs

Perfect!

Solid concrete or concrete block

Perfect!*

*Concrete kit is NOT INCLUDED. Call The Echogear Pros for kit #CMK3.

?

**UUHHH?!?
Unsure?**

Contact The Echogear Pros (see back page)

CAUTION:
DO NOT install into plaster & lath walls

Wood Lath Metal Lath
Rough Plaster Surface

3

GRAB YOUR TOOLS



Pencil

Drywall Applications
NO DRILL OPTION



Hammer



Tape Measure

Wood Stud Applications



Electric Drill



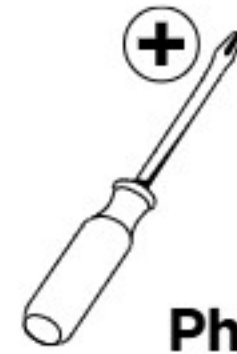
Stud Finder



Awl



1/8 in. (3.2 mm)
Wood
Drill Bit



Phillips Screwdriver

"Give it back to Phil when you finish"

Concrete Applications



Electric Drill



Hammer



5/16 in. (8 mm)
Masonry
Drill Bit

4

MORE STUFF TO READ

Please read through these instructions completely to be sure you're comfortable with this easy install process. Also check your TV owner's manual to see if there are any special requirements for mounting your TV.

If you do not understand these instructions or have doubts about the safety of the installation, assembly or use of this product, contact The Echogear Pros.

⚠ CAUTION: Avoid potential personal injuries and property damage!

- This product is designed for use with wood studs, solid concrete and concrete block walls, and drywall only.
- The wall must be capable of supporting five times the weight of the TV and mount combined.
- Do not use this product for any purpose not explicitly specified by manufacturer.
- Manufacturer is not responsible for damage or injury caused by incorrect assembly or use.

WHAT'S IN THE BOX ... WHAT'S IN THE BOOOOOXX

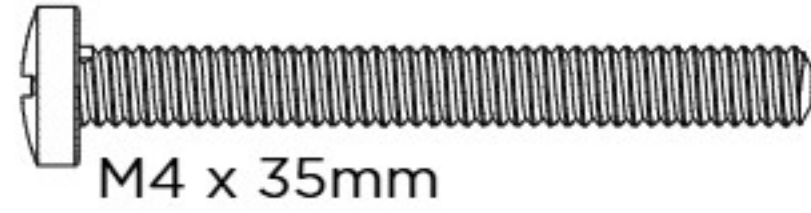
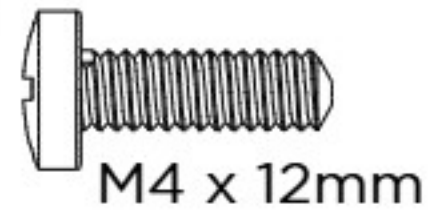
⚠ WARNING: DON'T FEED TO CHILDREN — This product contains small items that could be a choking hazard if swallowed. Before starting assembly, verify all parts are included and undamaged. If any parts are missing or damaged, do not return the damaged item to your dealer; contact The Echogear Pros. Never use damaged parts!

📄 NOTE: Not all hardware included will be used.

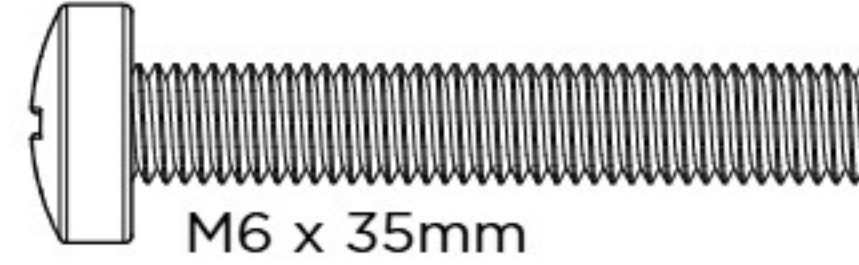
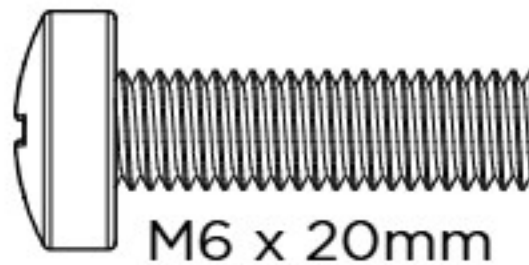
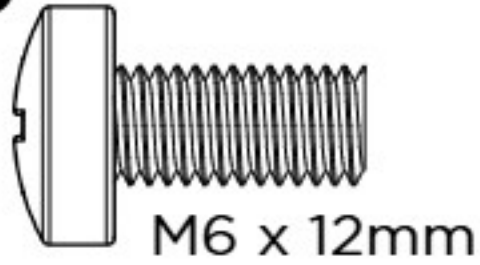
STUFF FOR STEP 1

01 TV Screws (qty. 2 each)
[Only one size fits your TV]

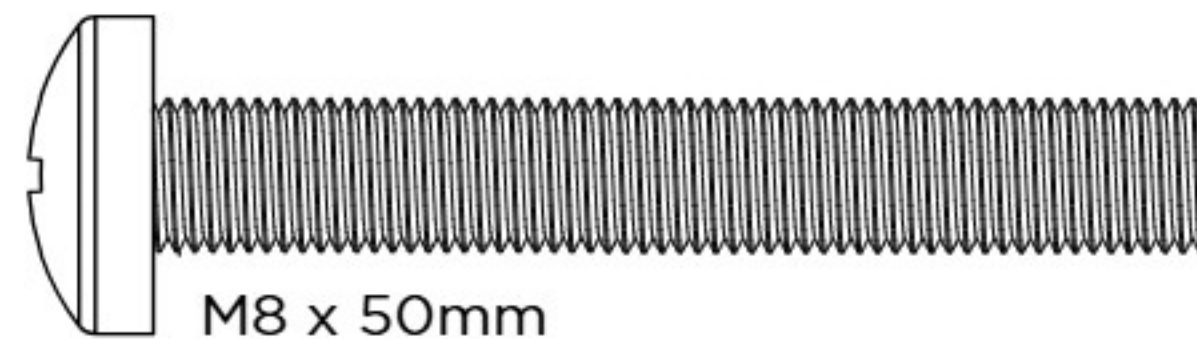
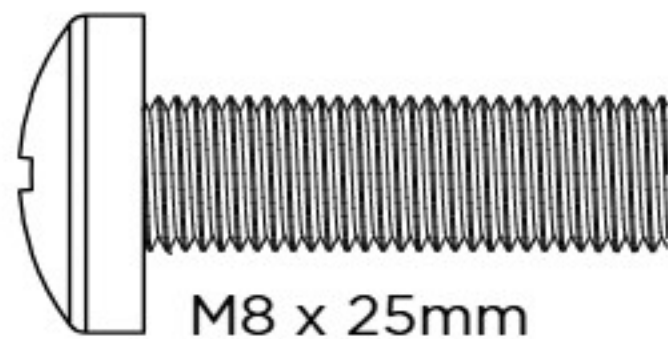
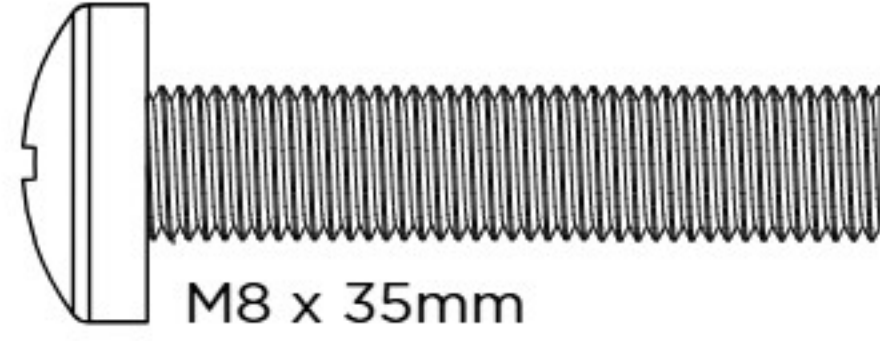
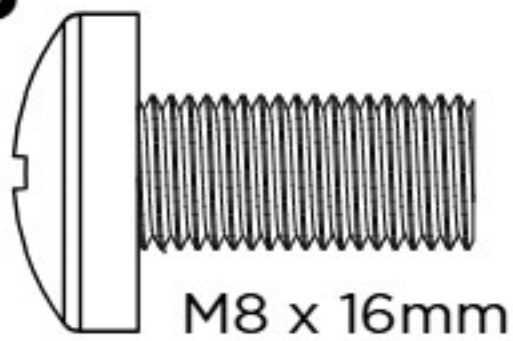
M4



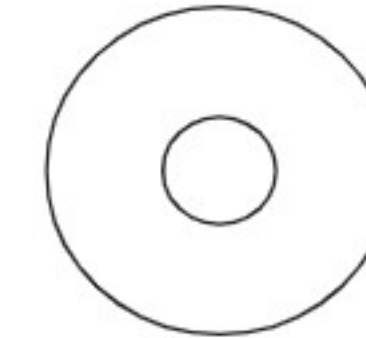
M6



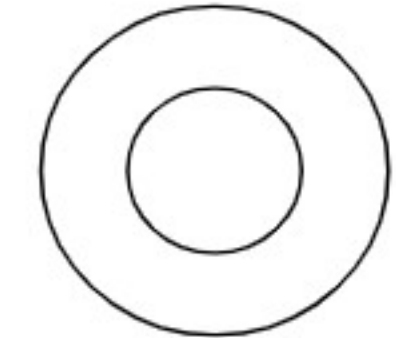
M8



02 Washers



M4
qty.2

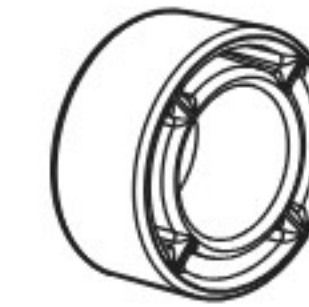


M6/M8
qty.2

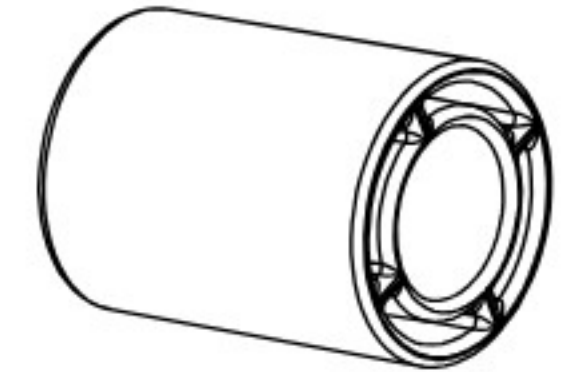
03 Spacers
[If necessary]



qty.4

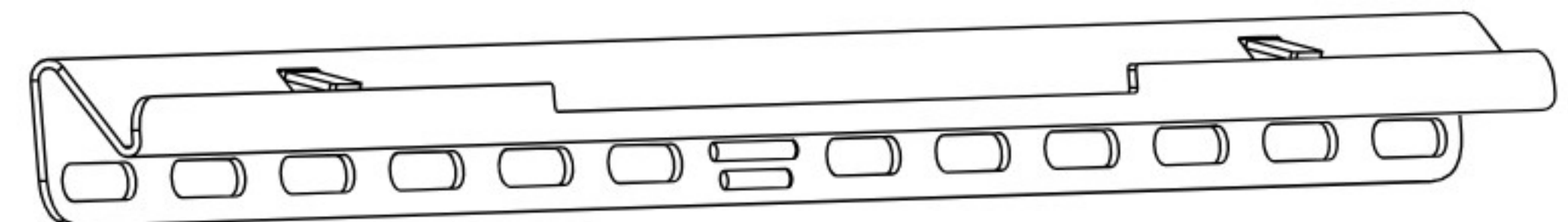


qty.2



qty.2

04 TV Bracket
qty.1



STUFF FOR STEP 2

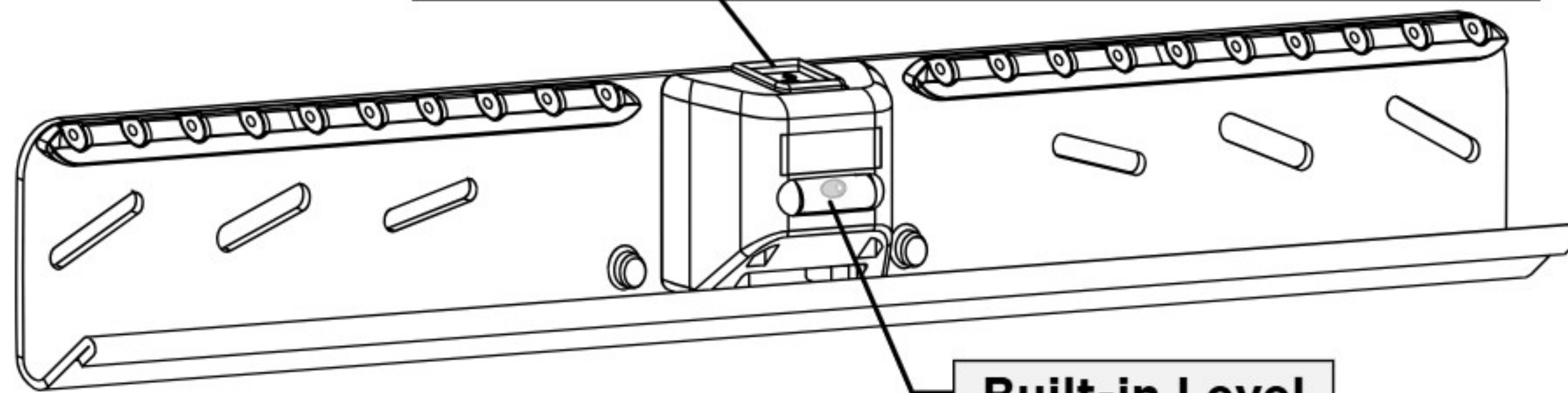
Locking Mechanism
KEEP IN THE LOCKED POSITION
until instructed.



Wall Plate

05

qty. 1



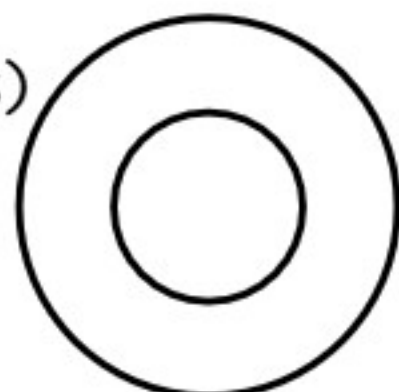
Built-in Level

Washers

(Wood Screws)

06

qty. 2



#10

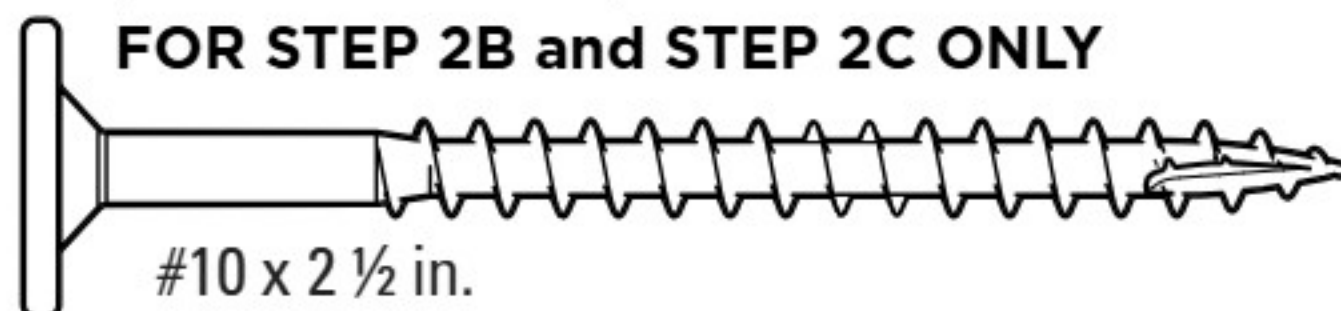
**Wood
Screws**

07

qty. 2

(Wall Plate Screws)

FOR STEP 2B and STEP 2C ONLY



#10 x 2 1/2 in.

For DRYWALL installations ONLY

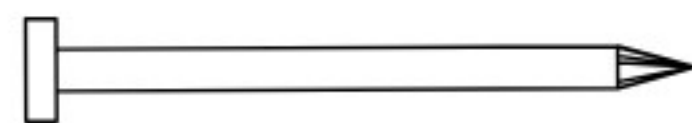
⚠ CAUTION: FOR STEP 2A ONLY:

Do not use in concrete or
plaster & lath.

Nail

08

qty. 32



14 ga. x 1 1/4 in.

For CONCRETE installations ONLY

NOTE: Anchors are NOT INCLUDED.
Contact The Echogear Pros to inquire about
anchor kit #CMK3.

⚠ CAUTION: FOR STEP 2C ONLY:

Do not use in drywall or wood.

**Concrete
Anchors**

C1

qty. 2



Fischer UX8 x 50R

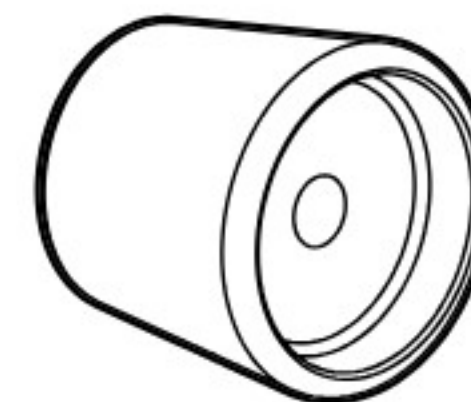
STUFF FOR STEP 3

Standoff *

(Magnetic Leveling Feet)

09

qty. 2



Disc

(Adhesive backed)

10

qty. 2



*** ⚠ WARNING:** This product contains a magnet. If an implanted medical device such as a pacemaker or implantable cardioverter defibrillator (ICD) is in use, magnetic fields may affect the operation of those devices, resulting in serious injury or death. If you have an implanted medical device, keep at least 13 cm (5 in.) between your device and the magnet. Please consult with your physician or medical professional prior to using this product.

FREE

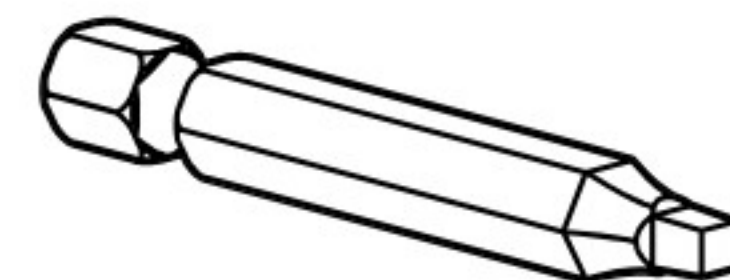
TOY SURPRISE

Inside Every Box

**Square
Driver Bit**

11

qty. 1

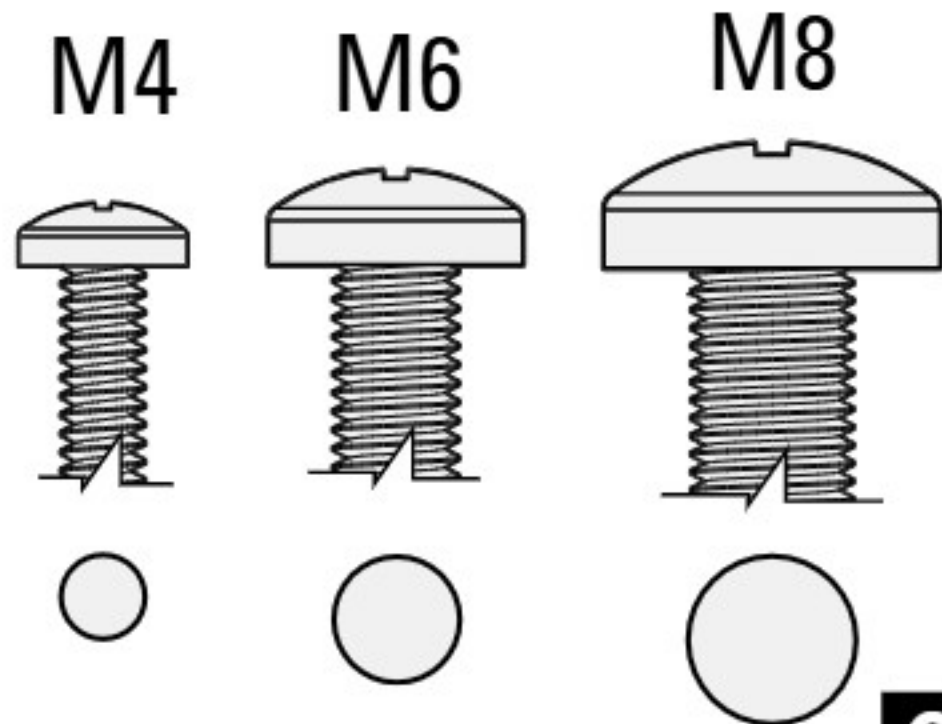


1

ATTACH TV BRACKET TO YOUR TV

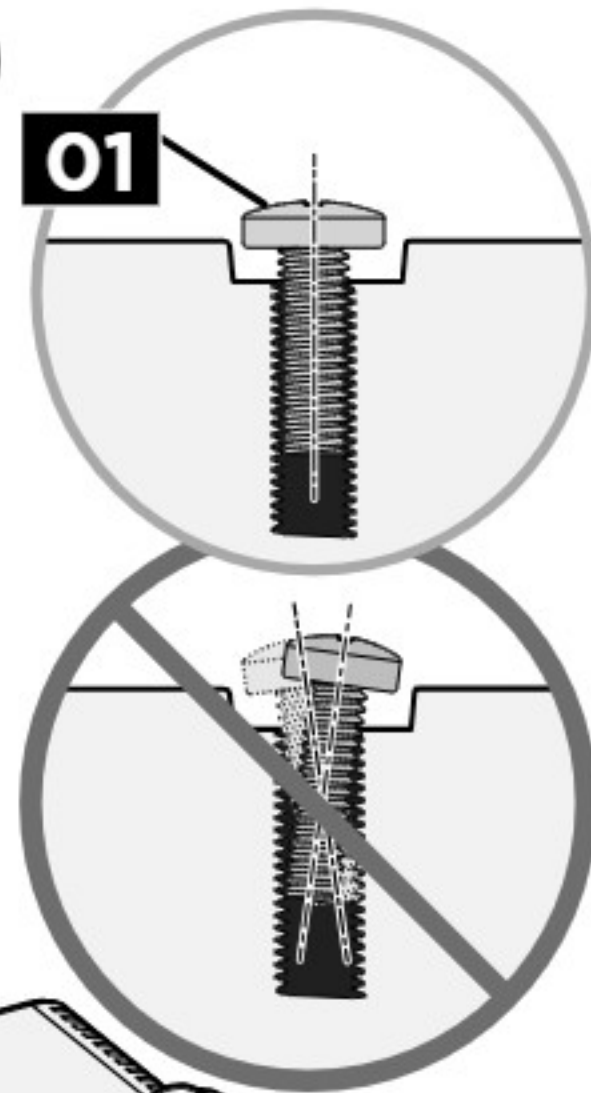
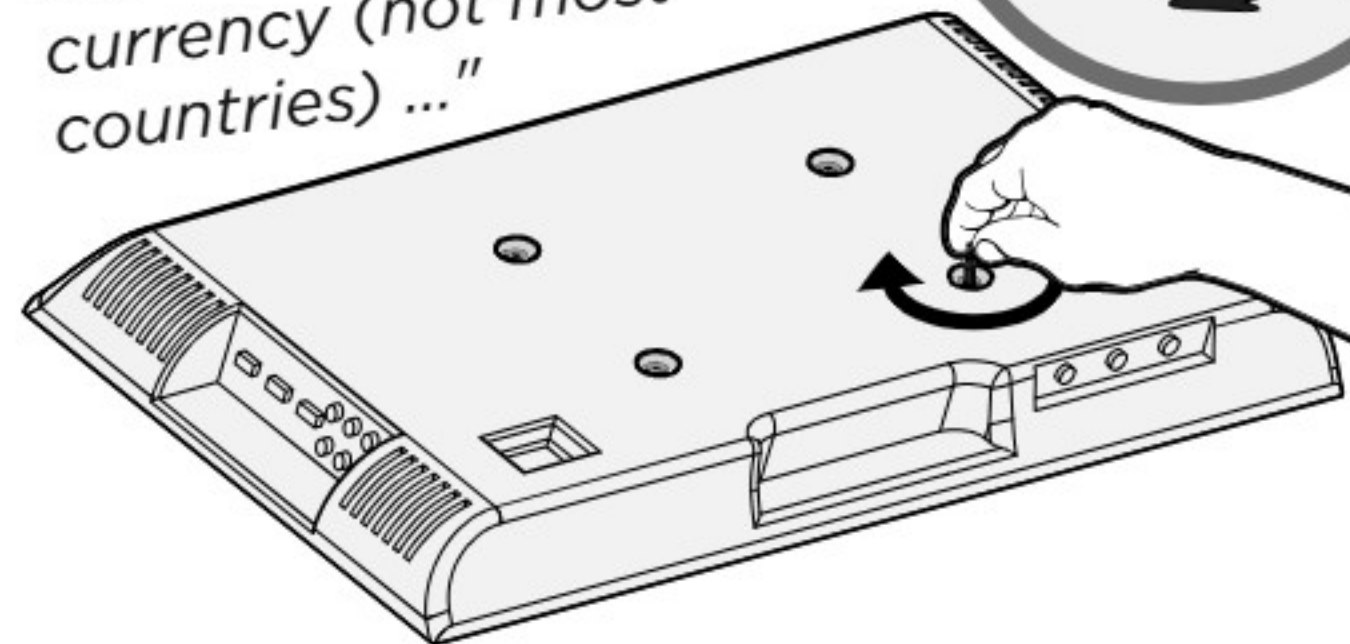
1.1 Select TV Screw Diameter

NOTE: Only one screw size fits your TV.



"Suggested uses for the extra screws:

board game pieces, industrial jewelry, sweet corn holders, musical instruments - like maracas or 'monsoon' sticks, stocking stuffers, currency (not most countries) ..."

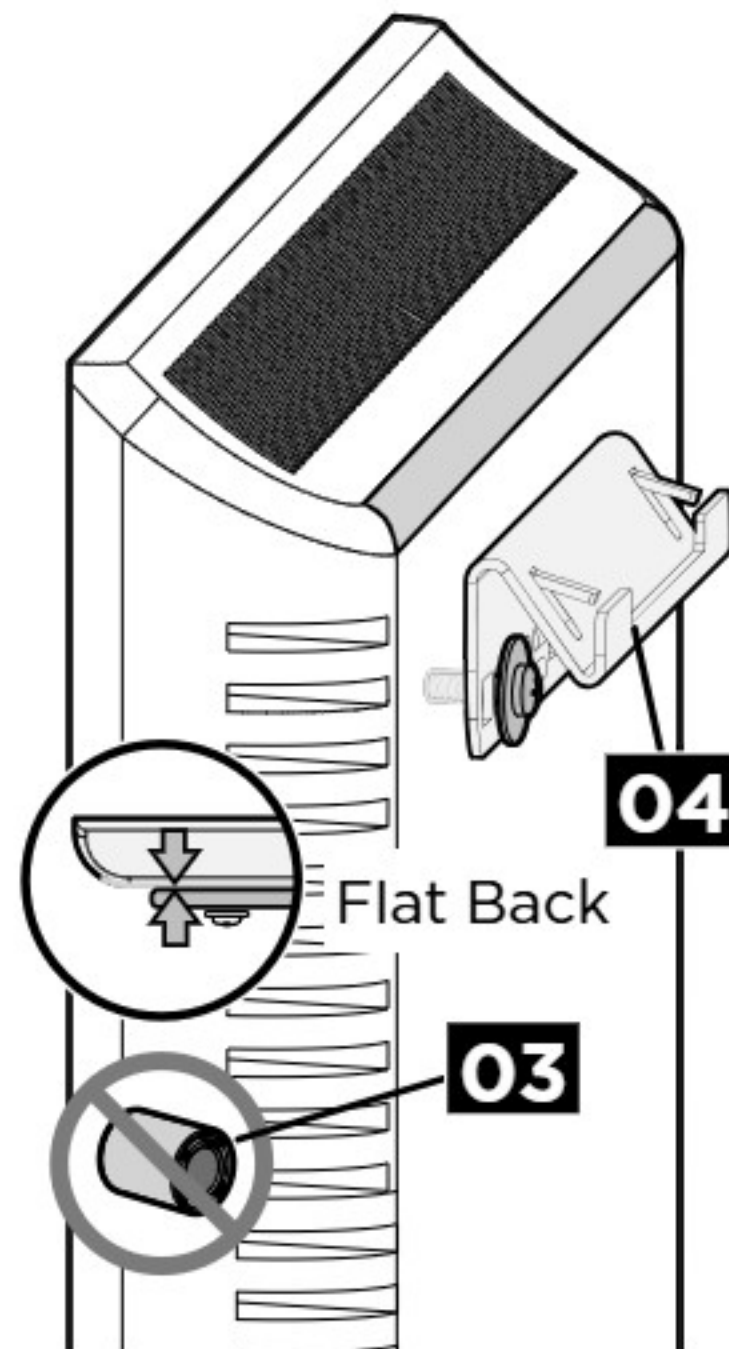


1.2 Determine TV Screw Length

A

• Flat Back TV

spacers **03** are not necessary.

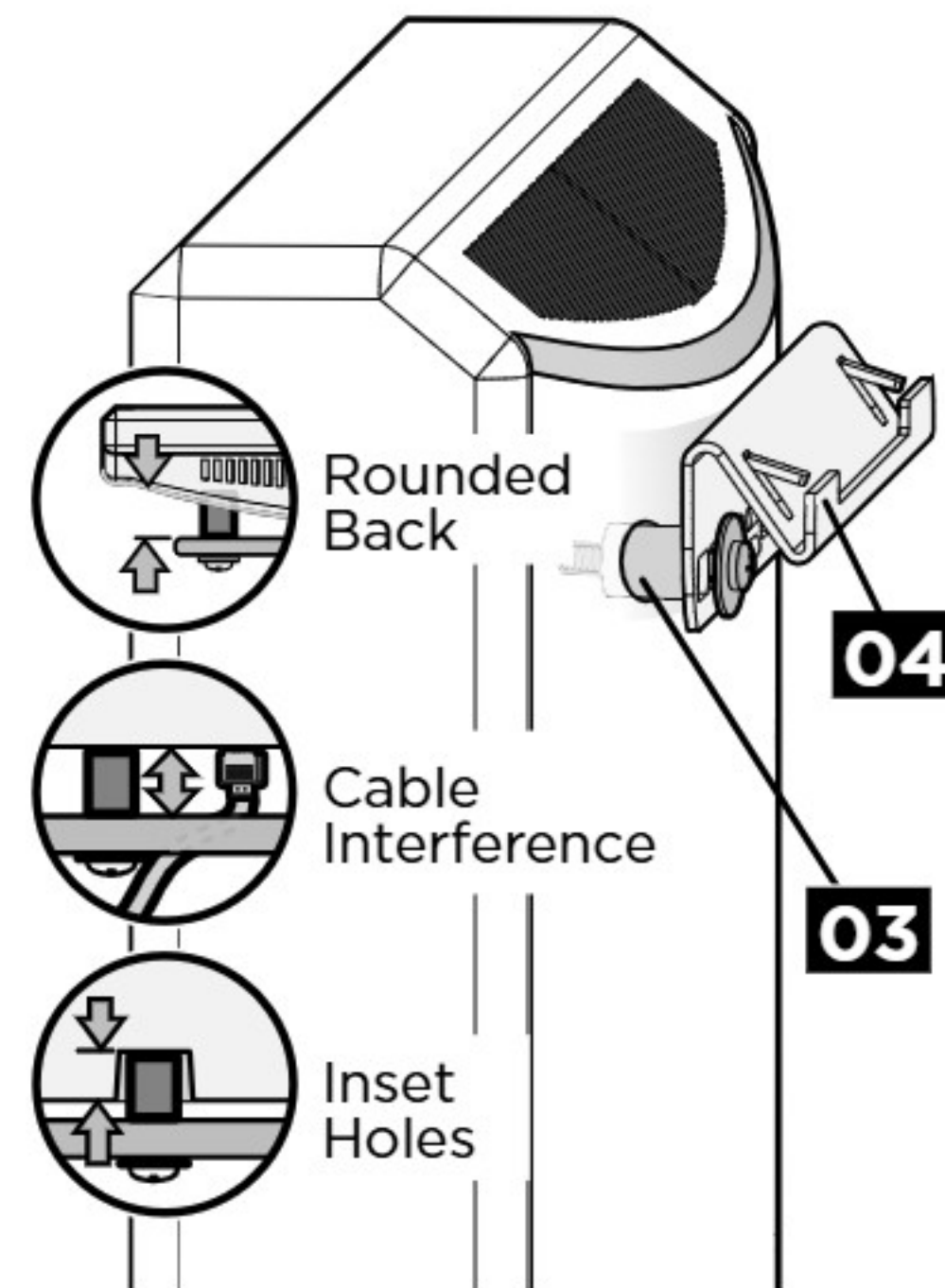


B

• Rounded Back TV

• **Flat Back TV with Extra Space Needed** [for cables or inset holes]

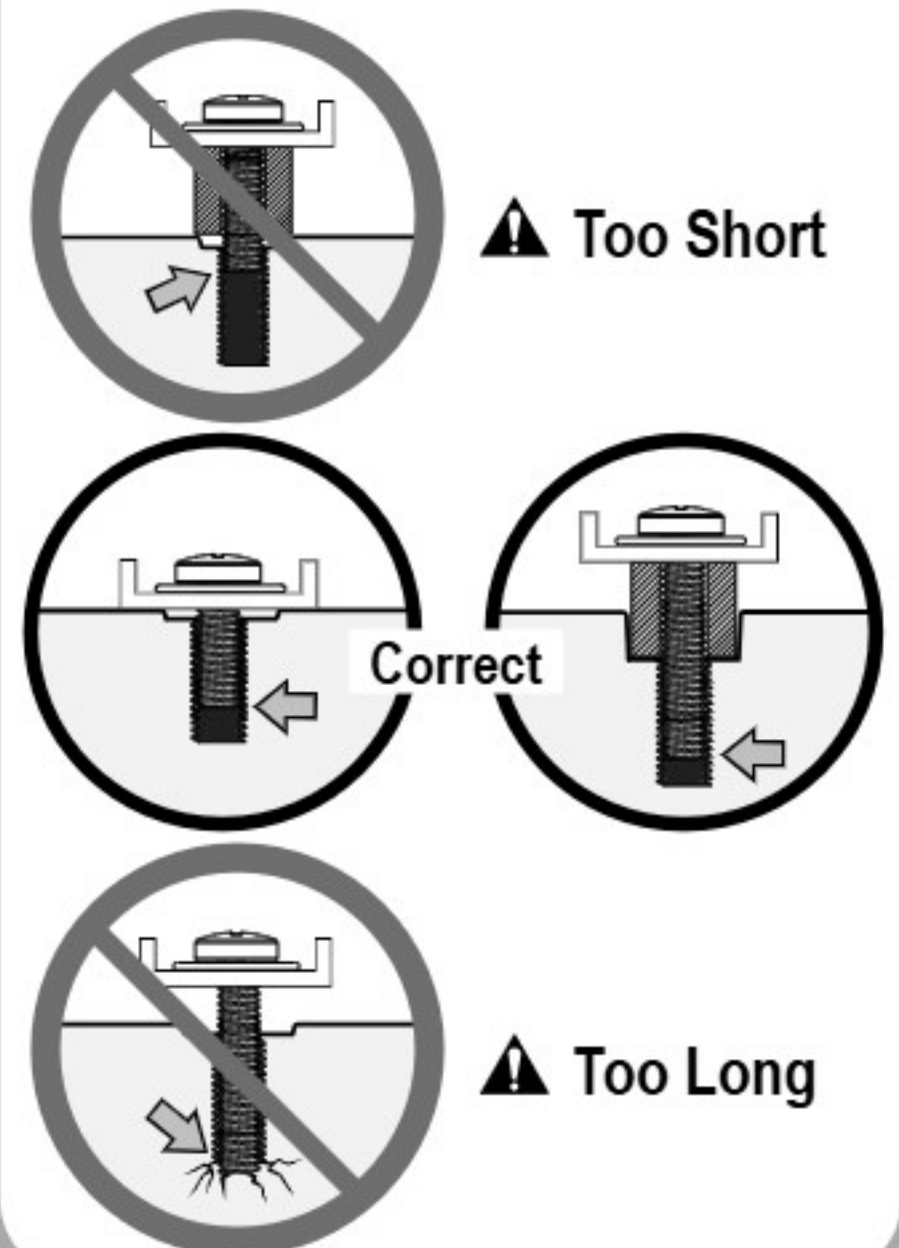
Use spacers **03** to create extra space between the TV and TV bracket.



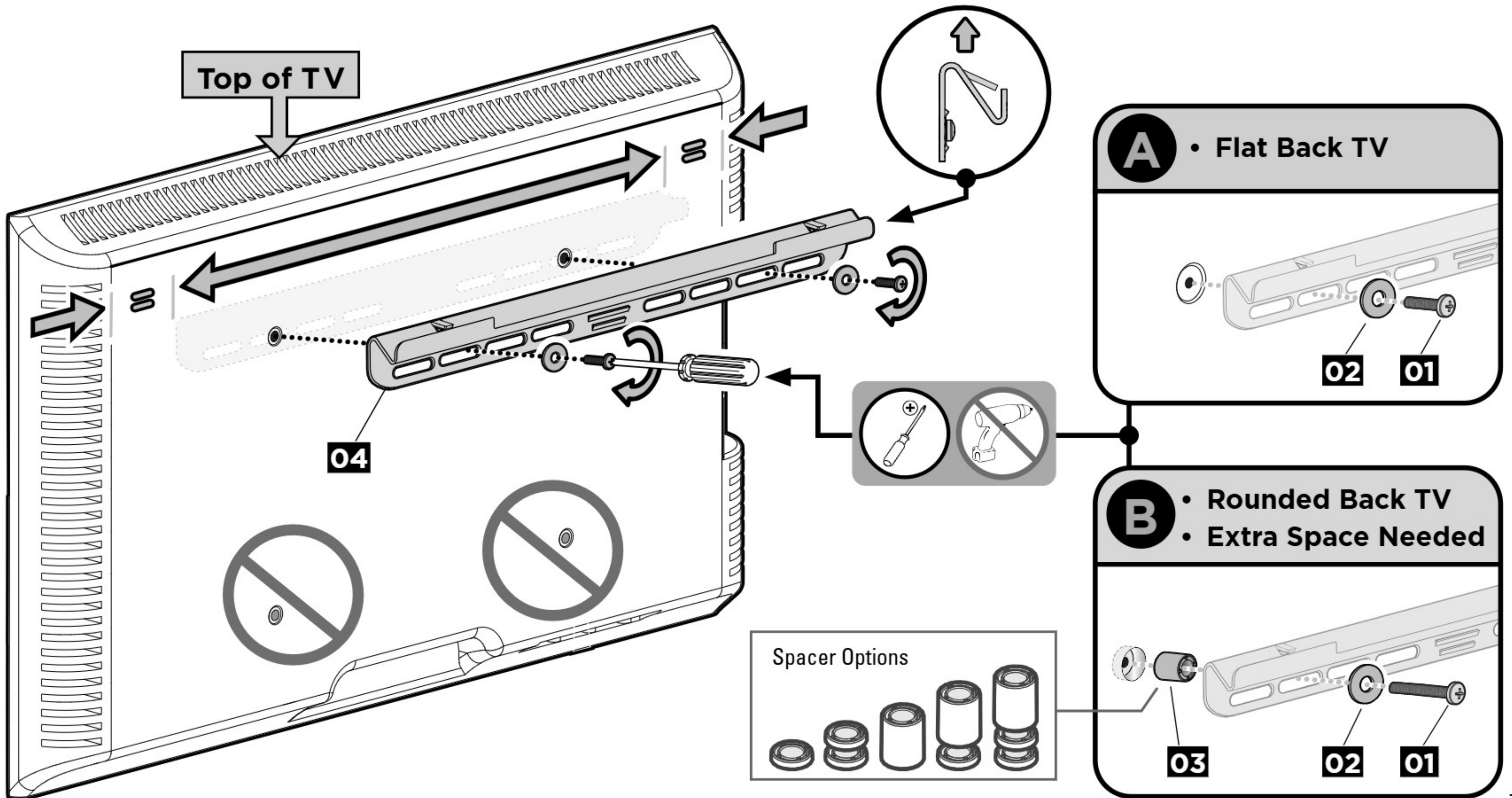
⚠ CAUTION:

Verify adequate thread engagement with your screw/washer/spacer combination AND TV Bracket **04**.

- Too short will not hold the TV.
- Too long will damage the TV.



1.3 Attach the TV Bracket



2

ATTACH WALL PLATE TO WALL

Follow the corresponding step for your installation method.

! IMPORTANT:

You must determine your wall construction to correctly secure the wall plate to the wall.

DRYWALL

[TVs up to 100 lbs. (45.3 kg)]

! CAUTION:

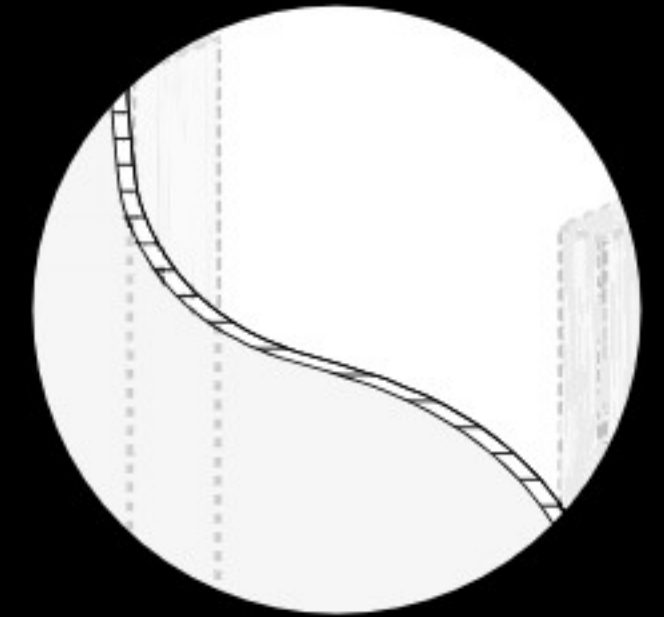
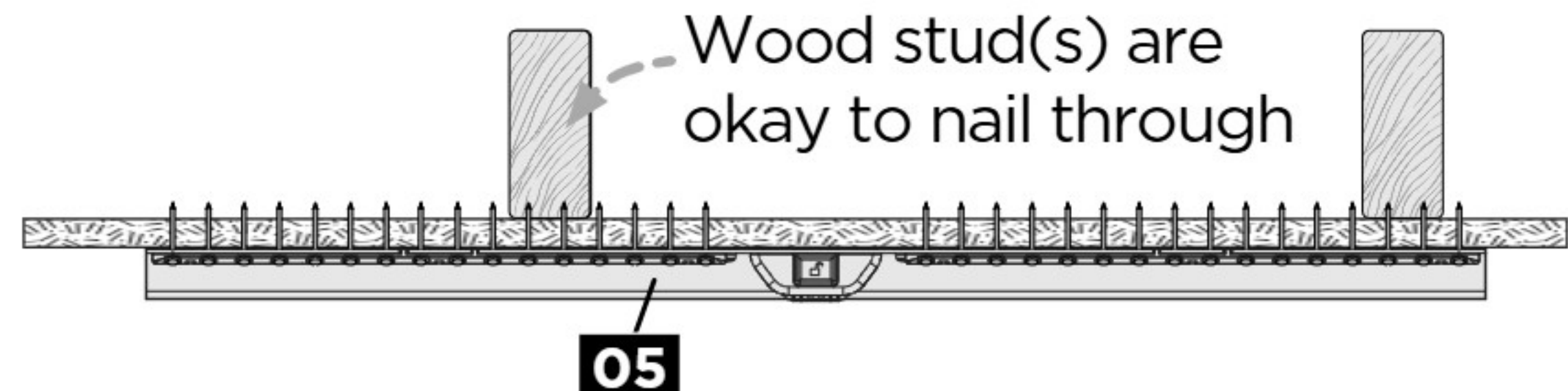
DO NOT install into plaster & lath walls

STEP 2A

on PAGE 10

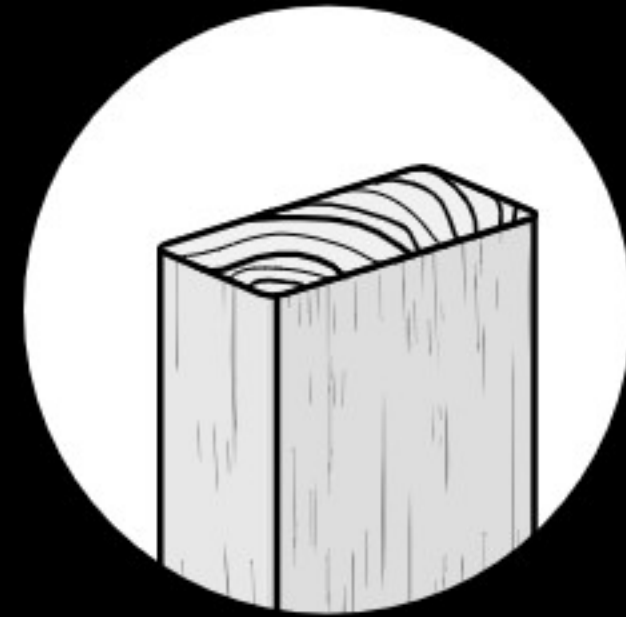
! CAUTION: Avoid potential personal injuries and property damage!

- DO NOT mount to patched areas/drywall seams /uneven walls
- Drywall must be of sound construction with no water damage
If water damage ever occurs - remove the TV immediately
- Your TV MUST be centered on the wall plate



WOOD STUD

[TVs up to 135 lbs.
(61.2 kg)]

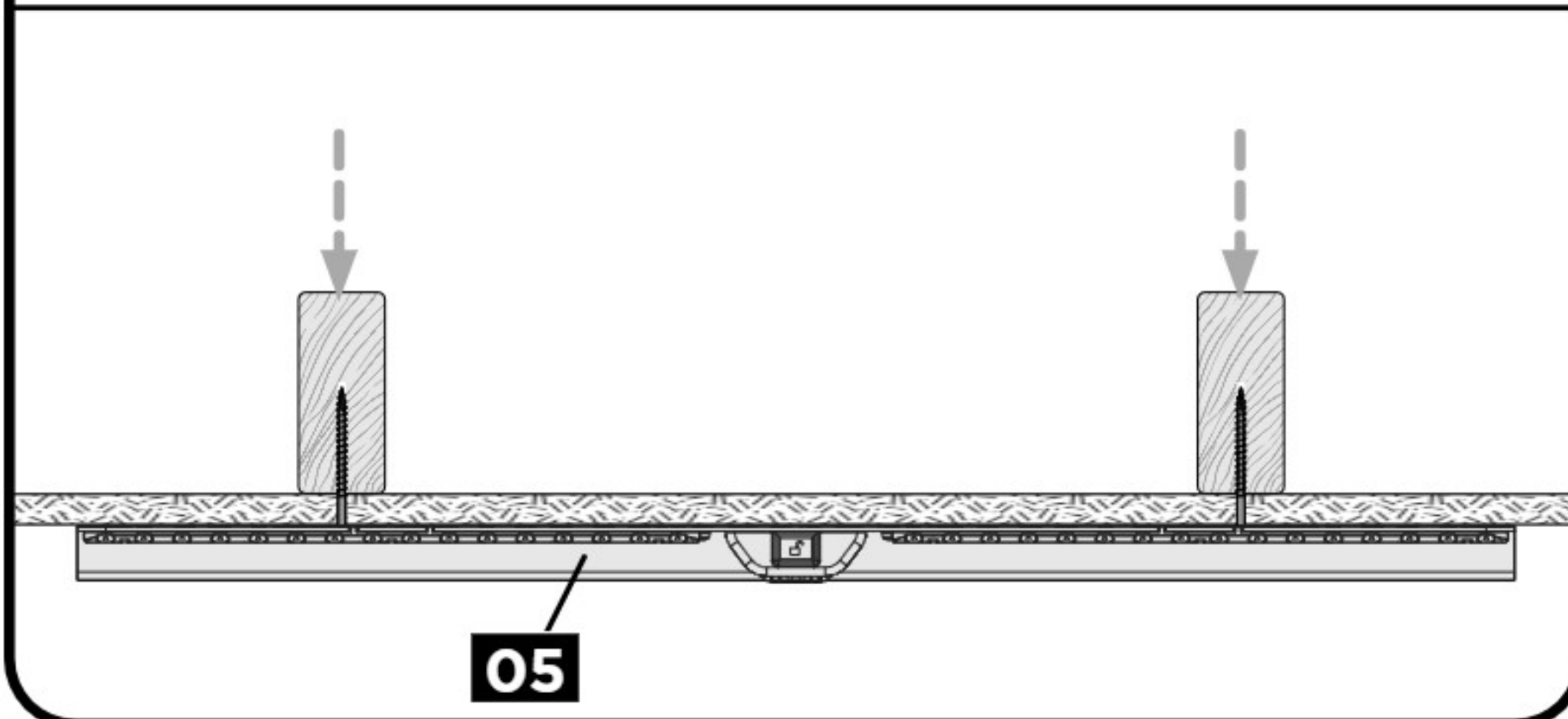


STEP 2B

on PAGE 12

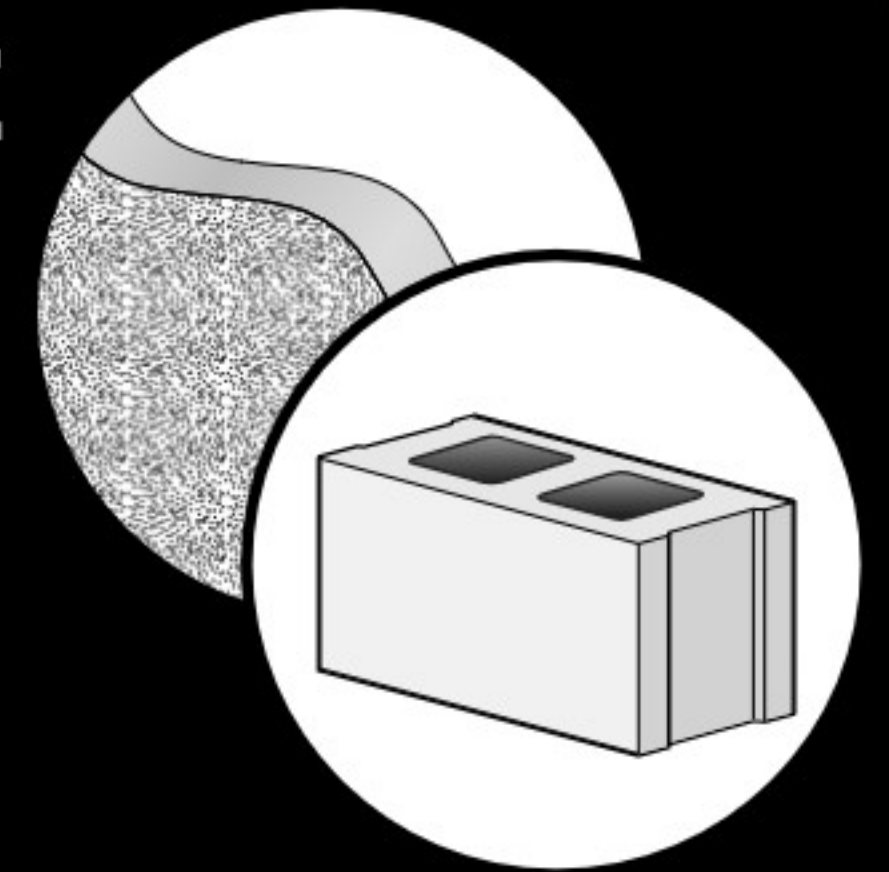
▲ CAUTION: Avoid potential personal injuries and property damage!

Two stud centers must be located for proper installation.



SOLID CONCRETE and CONCRETE BLOCK

[TVs up to 135 lbs. (61.2 kg)]

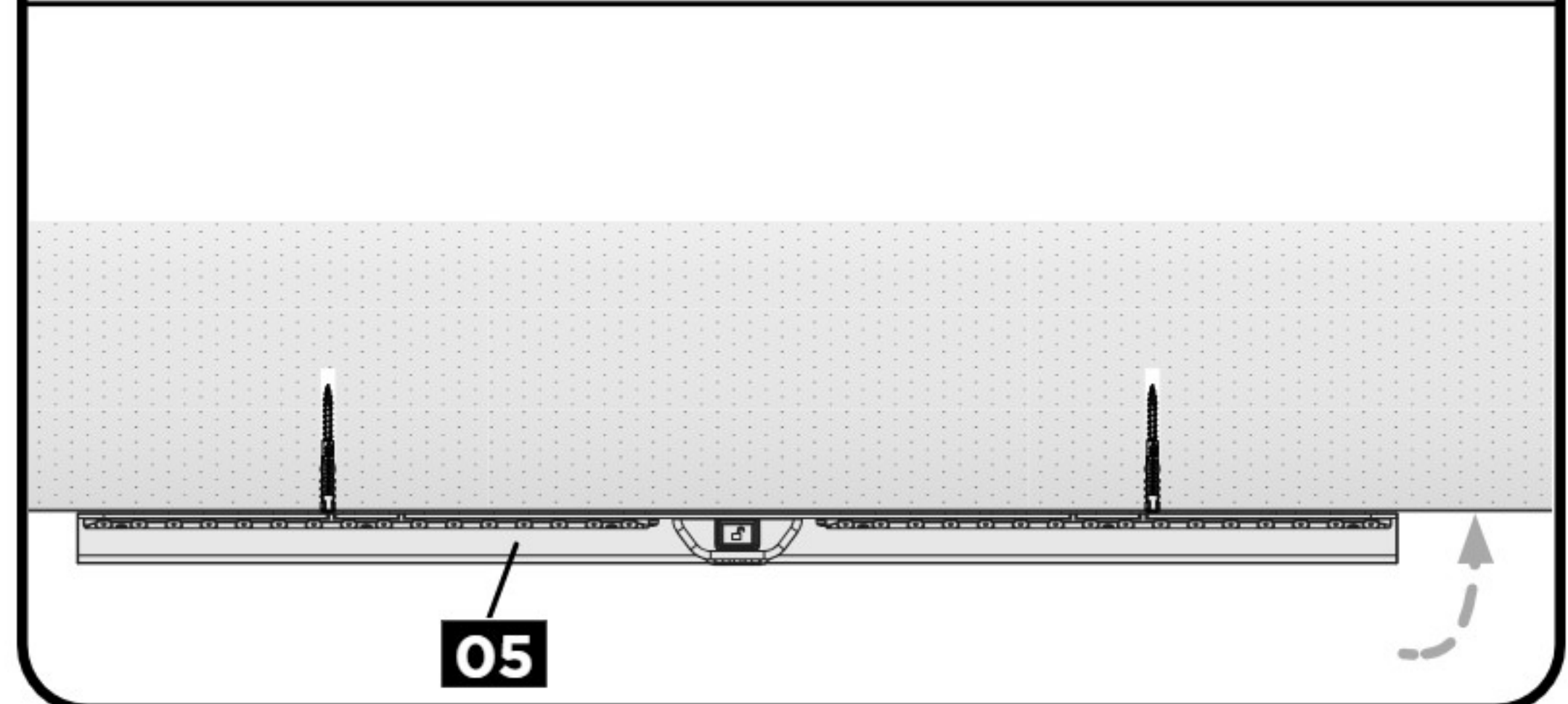


STEP 2C

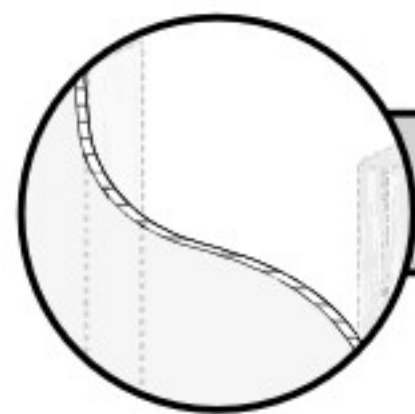
on PAGE 14

▲ CAUTION: Avoid potential personal injuries and property damage!

The mount must be installed directly onto the concrete surface (no surface covering).



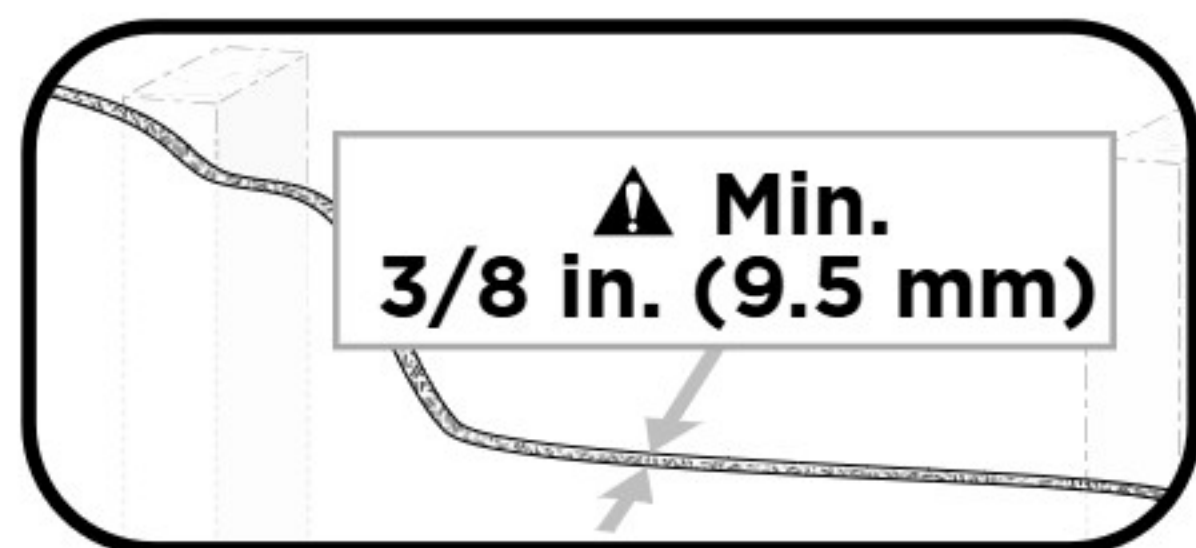
2A



DRYWALL (only) INSTALLATION

[TVs up to 100 lbs. (45.3 kg)]

2A.1 Verify Your Wall

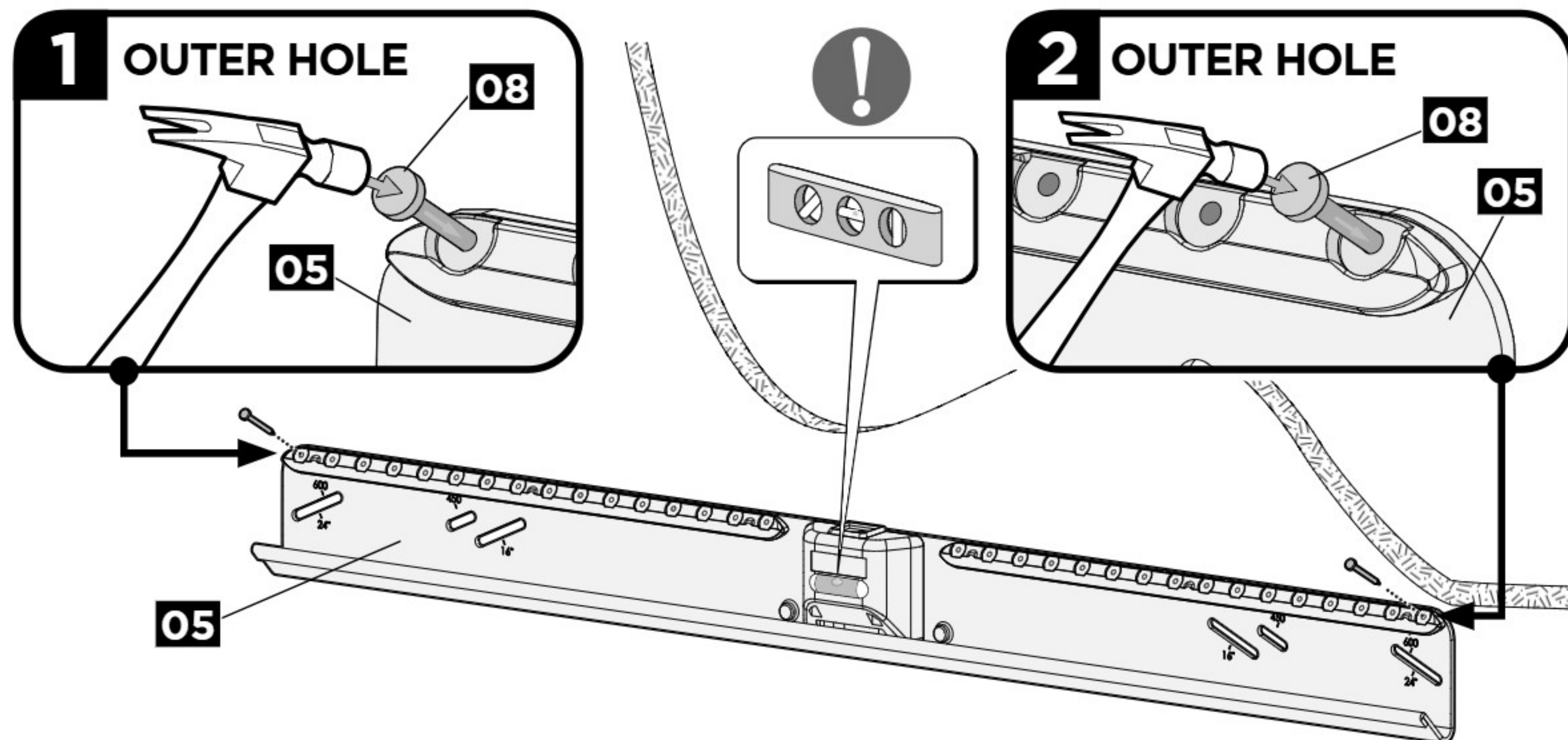


▲ **CAUTION:** Avoid potential personal injuries and property damage!

- Drywall covering must be 3/8 in. (9.5 mm) or greater
- Drywall must be mounted on studs, no more than 24 in. (609 mm) on center, [minimum stud size: nominal 2 x 4 in. (51 x 102 mm) actual 1½ x 3½ in. (38 x 89 mm)]
- Drywall must be sound with no water damage. **If water damage ever occurs – remove the TV immediately**
- DO NOT mount to patched areas, on drywall seams or uneven walls
- Your TV MUST be installed centered on the wall plate

• **DO NOT install into plaster & lath walls**

2A.2 Attach the Wall Plate



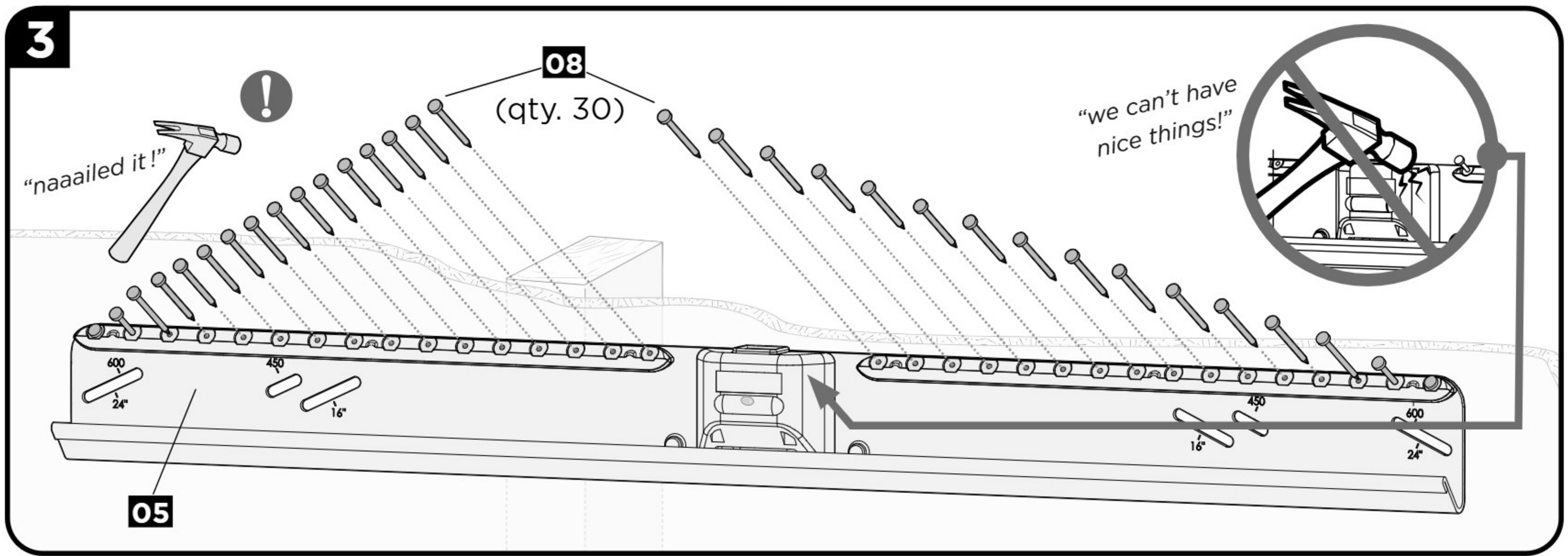
Position wall plate **05** on your wall, and secure a nail **08** in BOTH OUTER holes.

! **IMPORTANT:** Wall plate **05** MUST be level when securing the second nail **08**.

▲ **CAUTION:** Avoid potential personal injuries and property damage!

If ANY of the 32 nails **08** encounter excessive resistance (metal object) - STOP and call The Echogear Pros.

DO NOT reuse nails **08** after removing. DO NOT use store-bought nails.

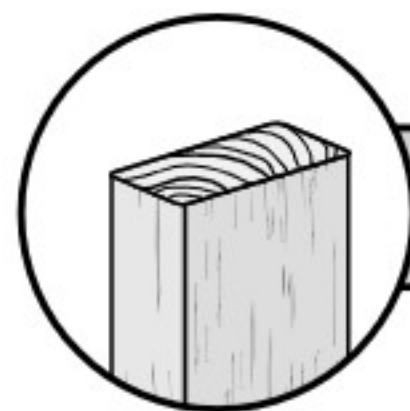


! IMPORTANT: Alternate installing the remaining thirty (30) nails **08** from side to side.

! CAUTION: Avoid potential personal injuries and property damage! Thirty-two (32) nails **08** total, must be used in wall plate **05**.

Go to STEP 3 on PAGE 16.

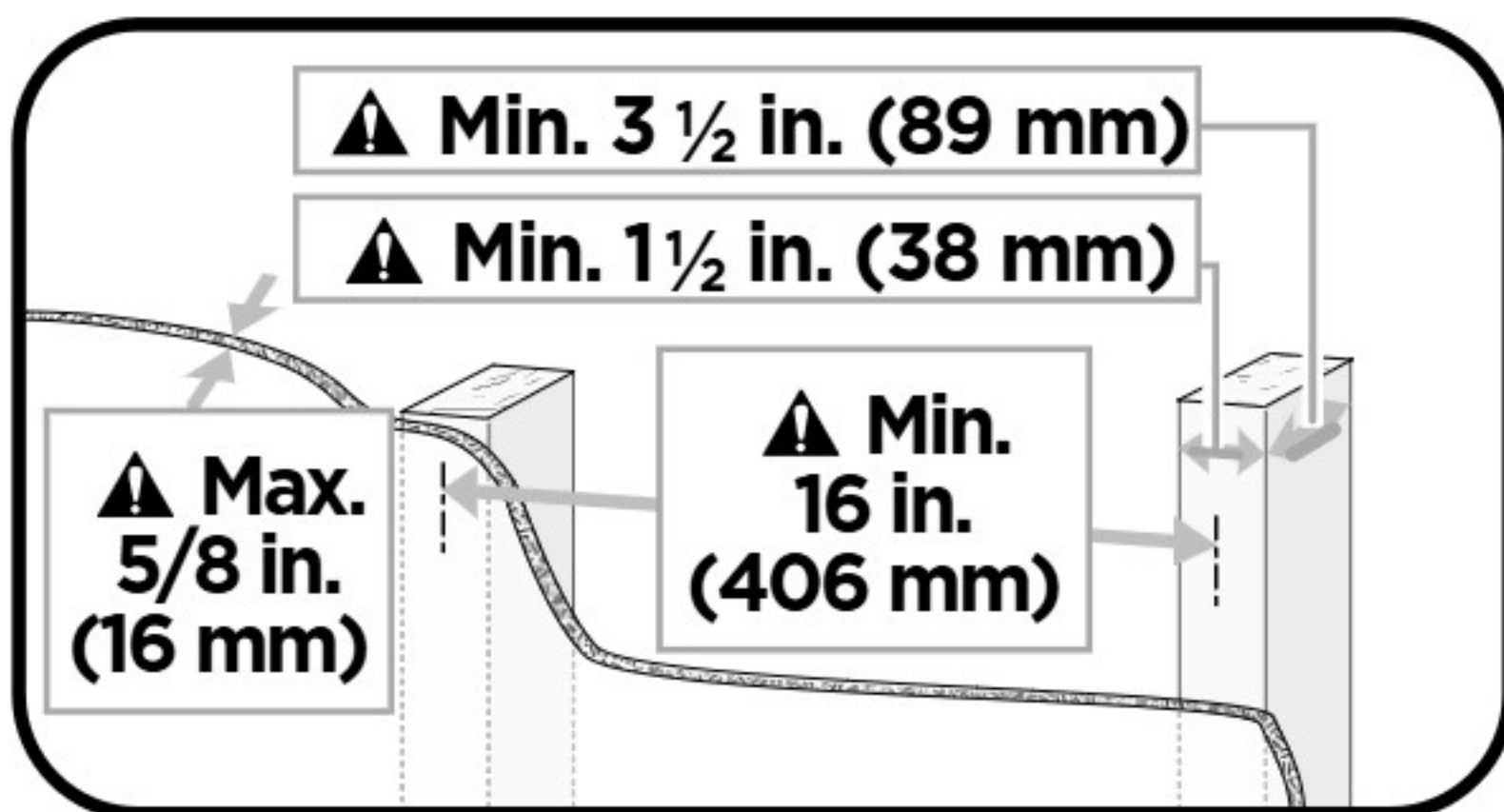
2B



WOOD STUD INSTALLATION

[TVs up to 135 lbs. (61.2 kg)]

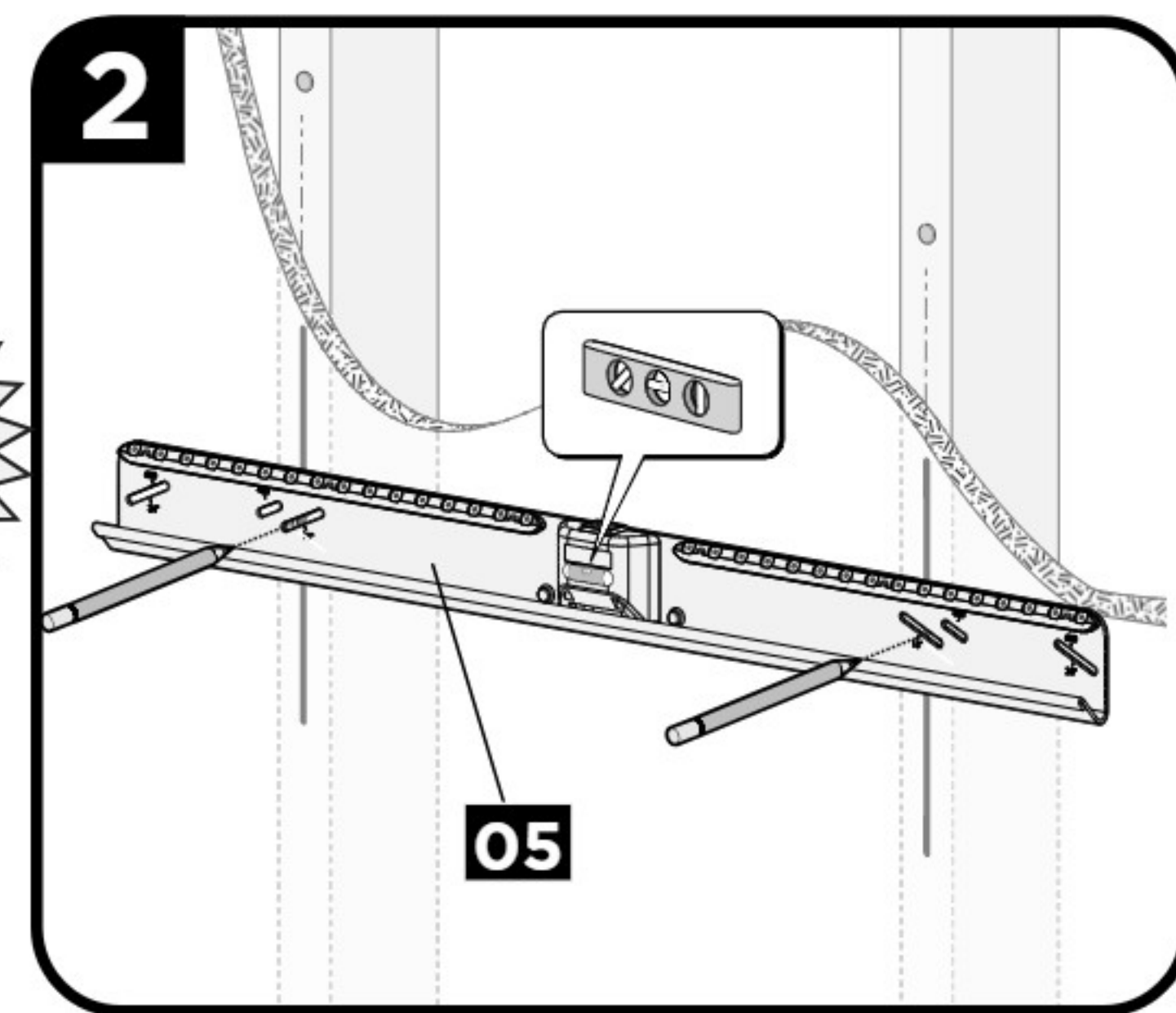
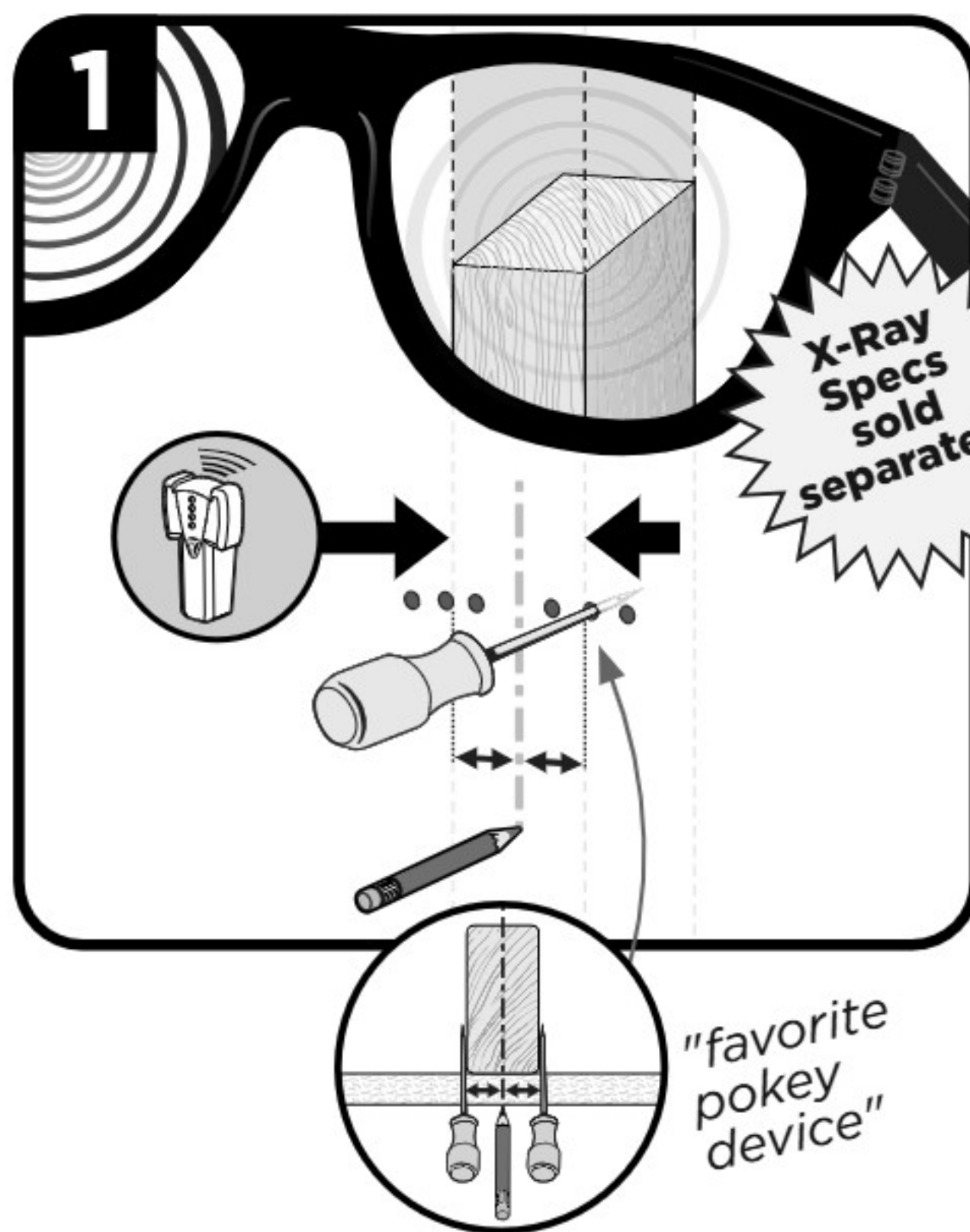
2B.1 Verify Your Wall



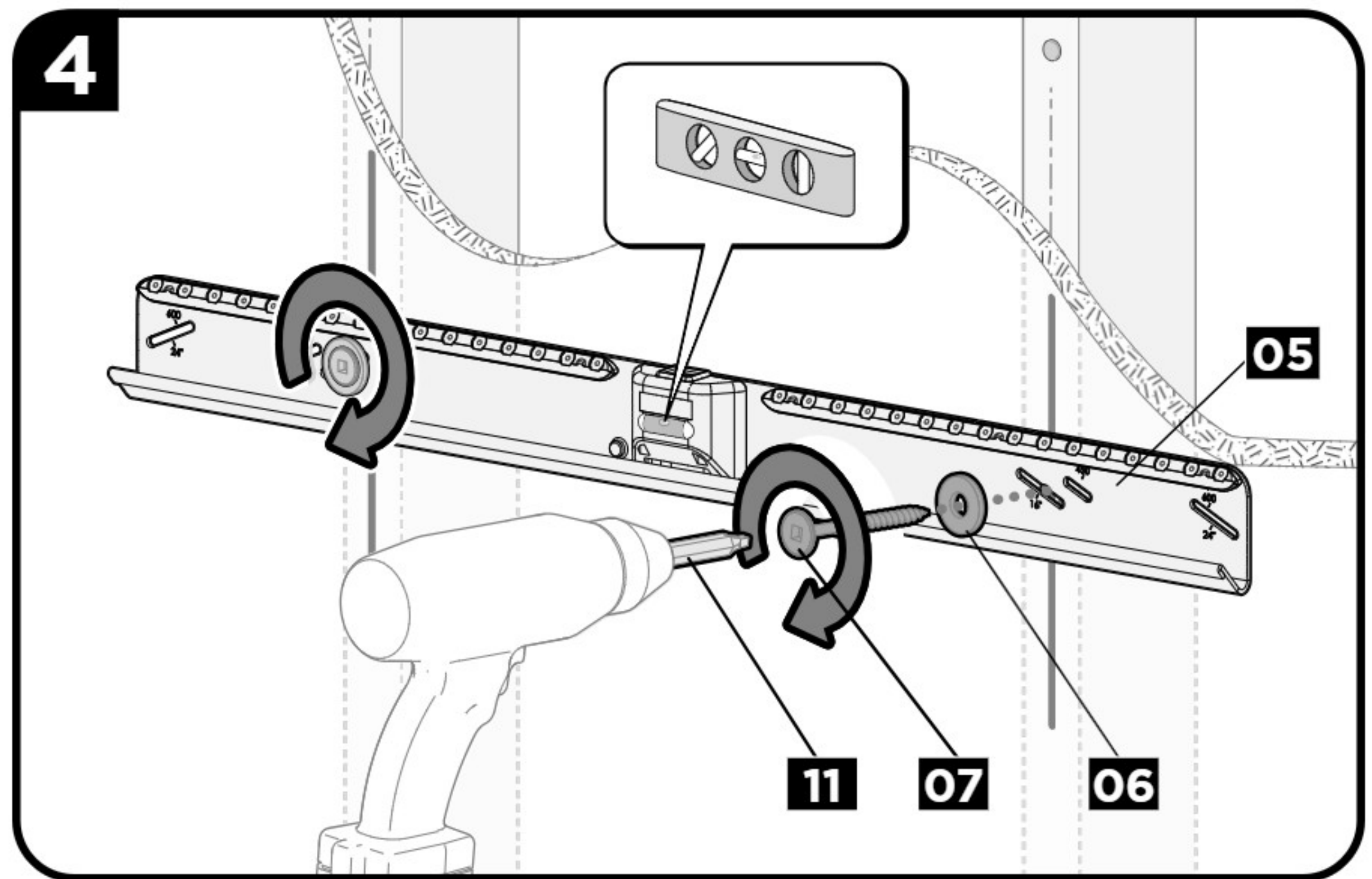
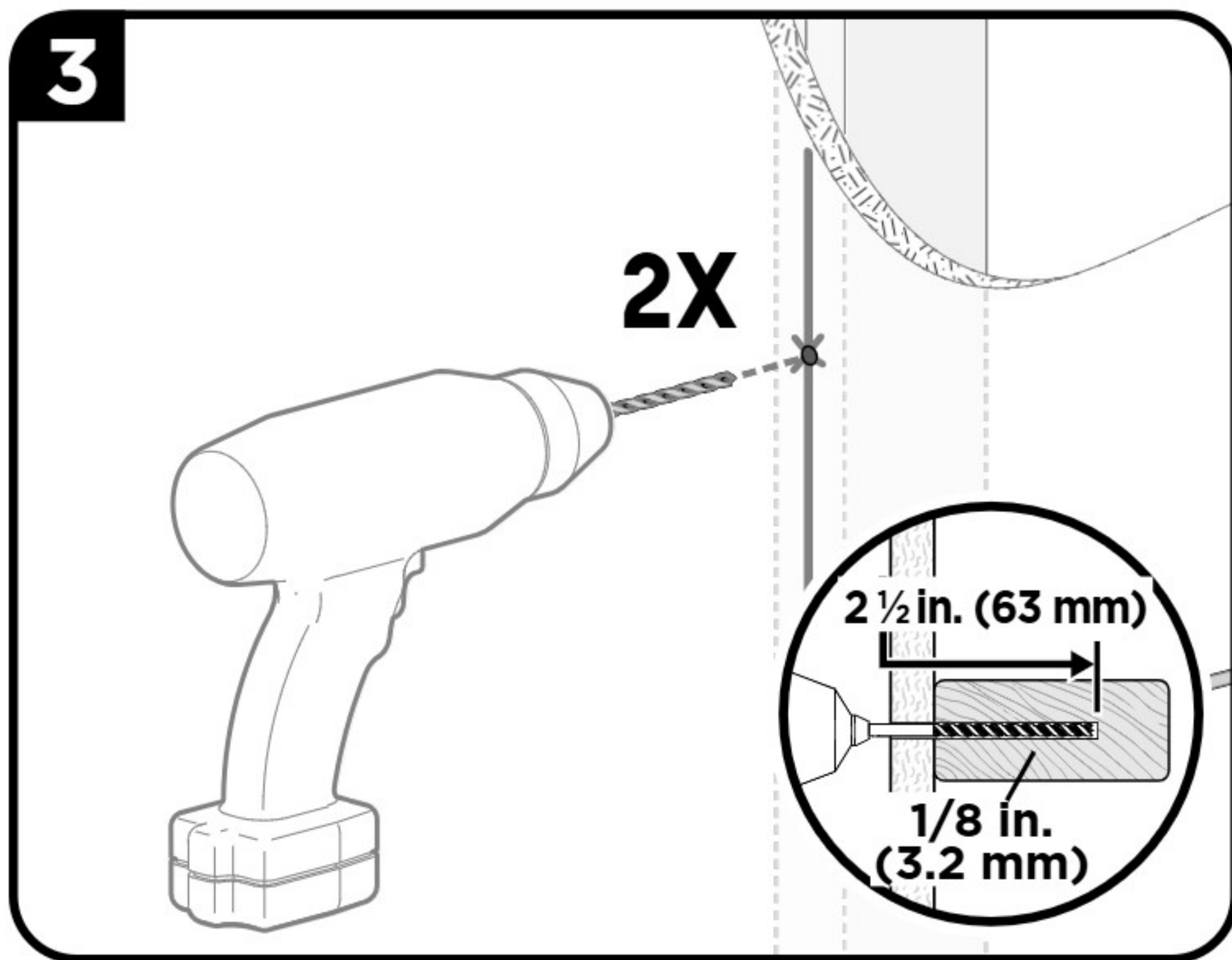
CAUTION: Avoid potential personal injuries and property damage!

- Drywall covering the wall must not exceed 5/8 in. (16 mm)
- Minimum wood stud size: nominal 2 x 4 in. (51 x 102 mm) actual 1 1/2 x 3 1/2 in. (38 x 89 mm)
- Minimum horizontal space between fasteners: 16 in. (406 mm)
- Stud centers must be verified - not all walls have conventional 16 in. (406 mm) stud spacing

2B.2 Attach the Wall Plate



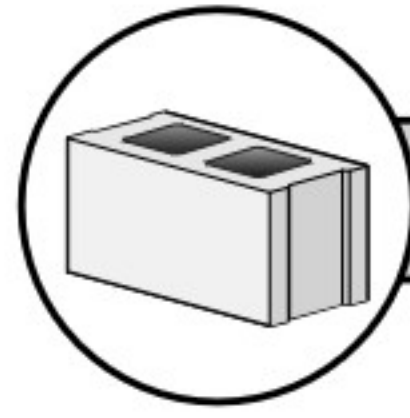
IMPORTANT: If you DO NOT have two studs that are 16 inches (406 mm) to 24 inches (609 mm) apart - OR - you cannot center wall plate **05** on your studs, follow STEP 2A on PAGE 10, for drywall installation.



▲ CAUTION: Improper use could reduce the holding power of screws **07**. DO NOT over-tighten the screws.

Go to STEP 3 on PAGE 16.

2c

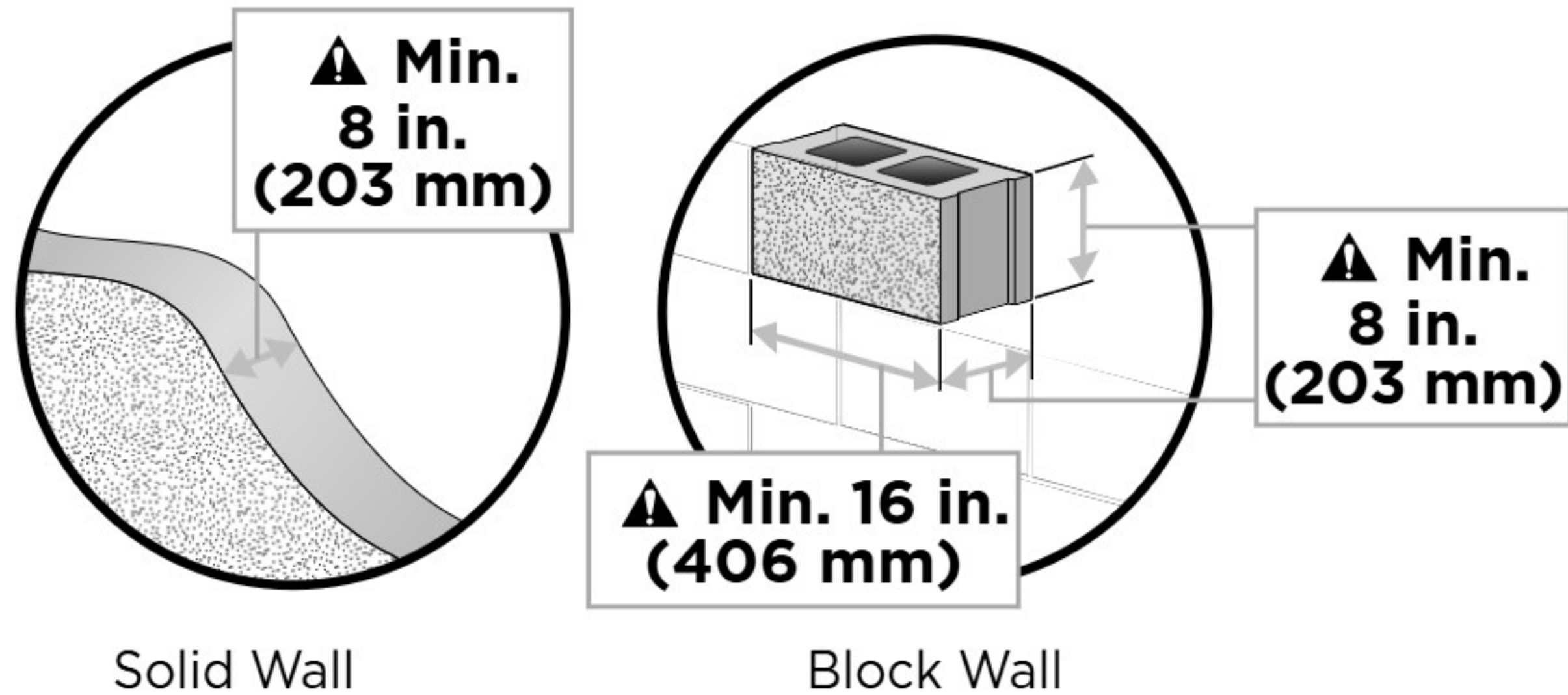


SOLID CONCRETE / CONCRETE BLOCK INSTALLATION

Concrete Installation Kit is required [NOT INCLUDED].

Contact The Echogear Pros to inquire about kit #CMK3.

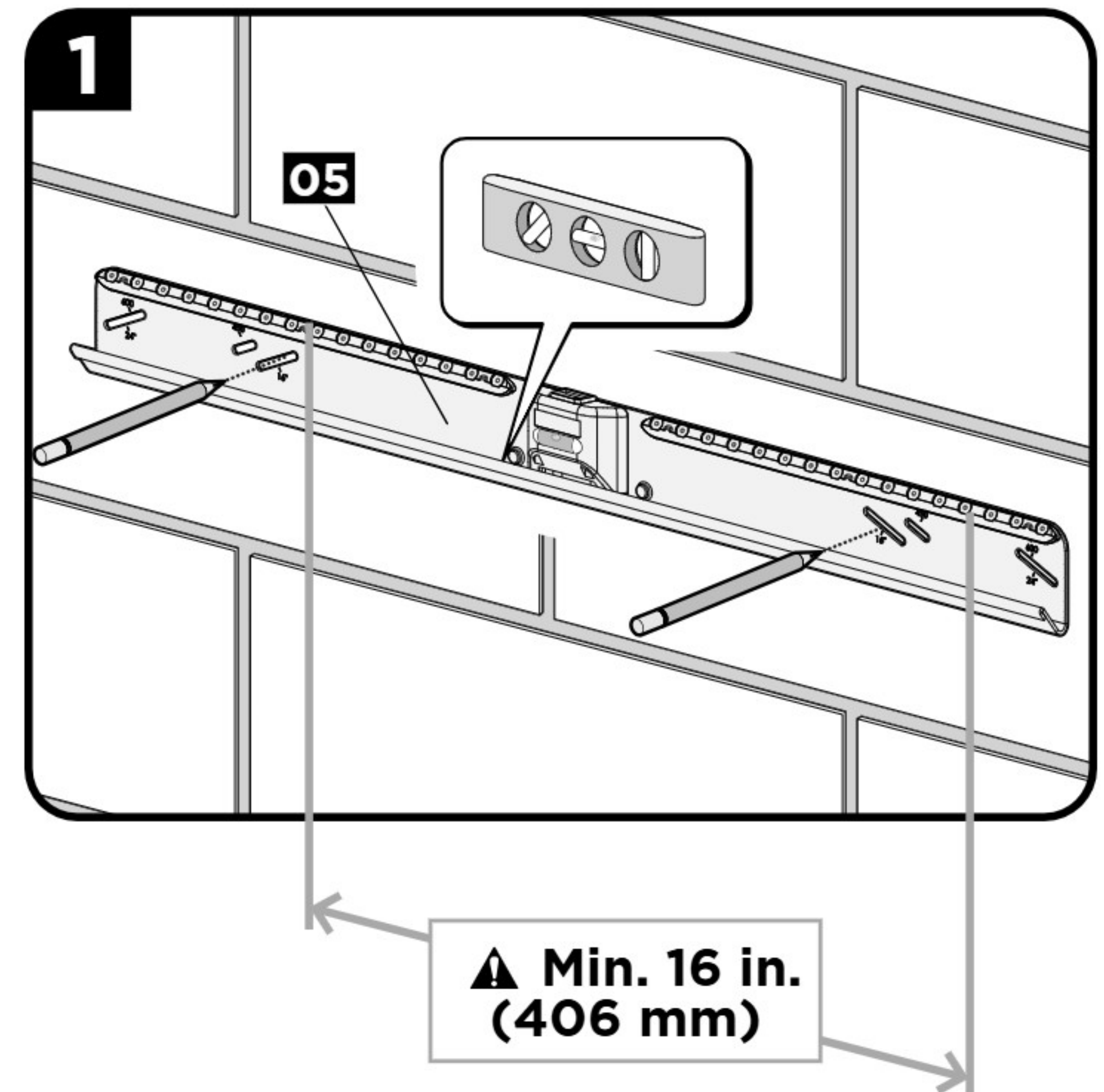
2C.1 Verify Your Wall

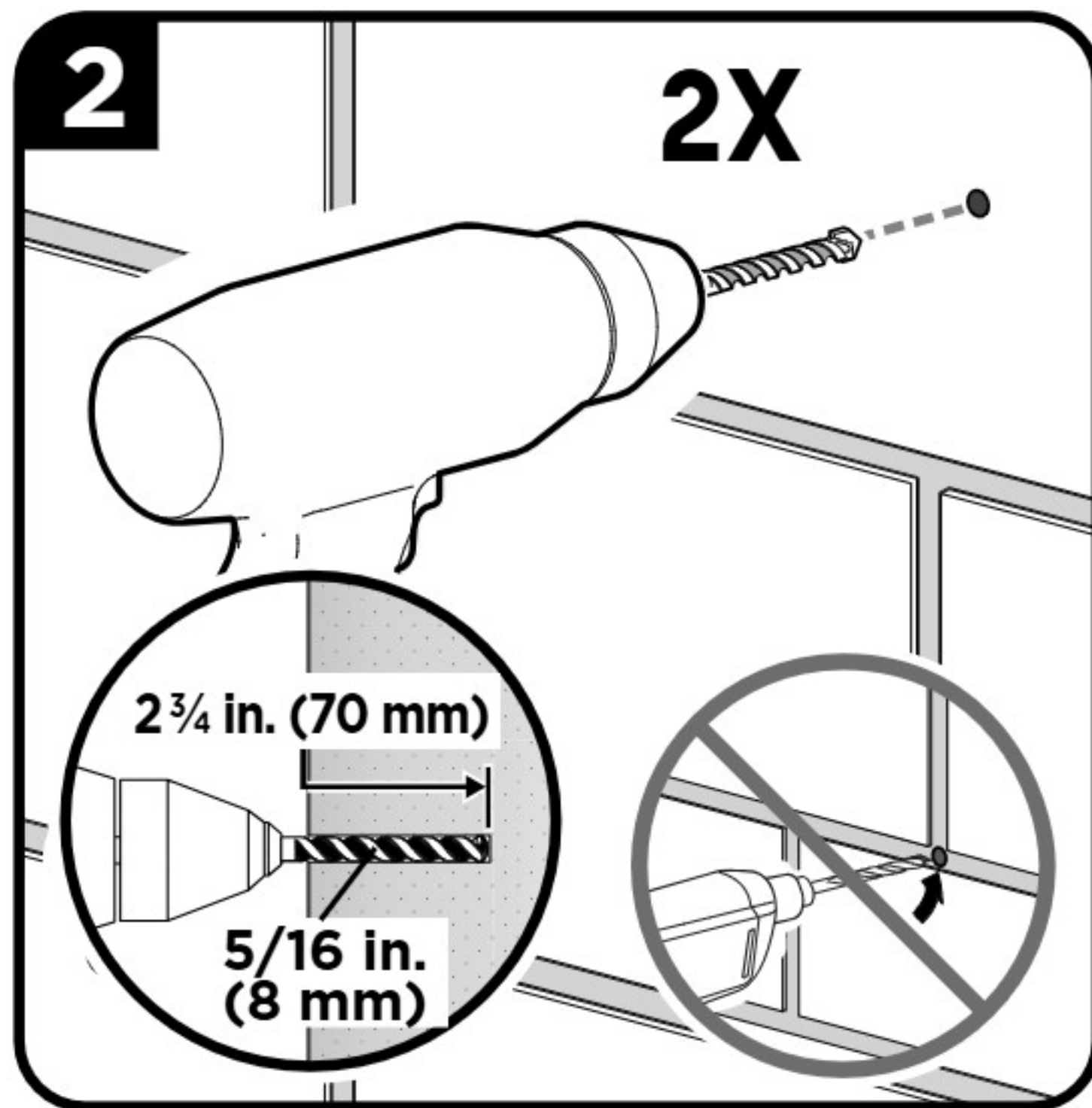


▲ CAUTION: Avoid potential personal injuries and property damage!

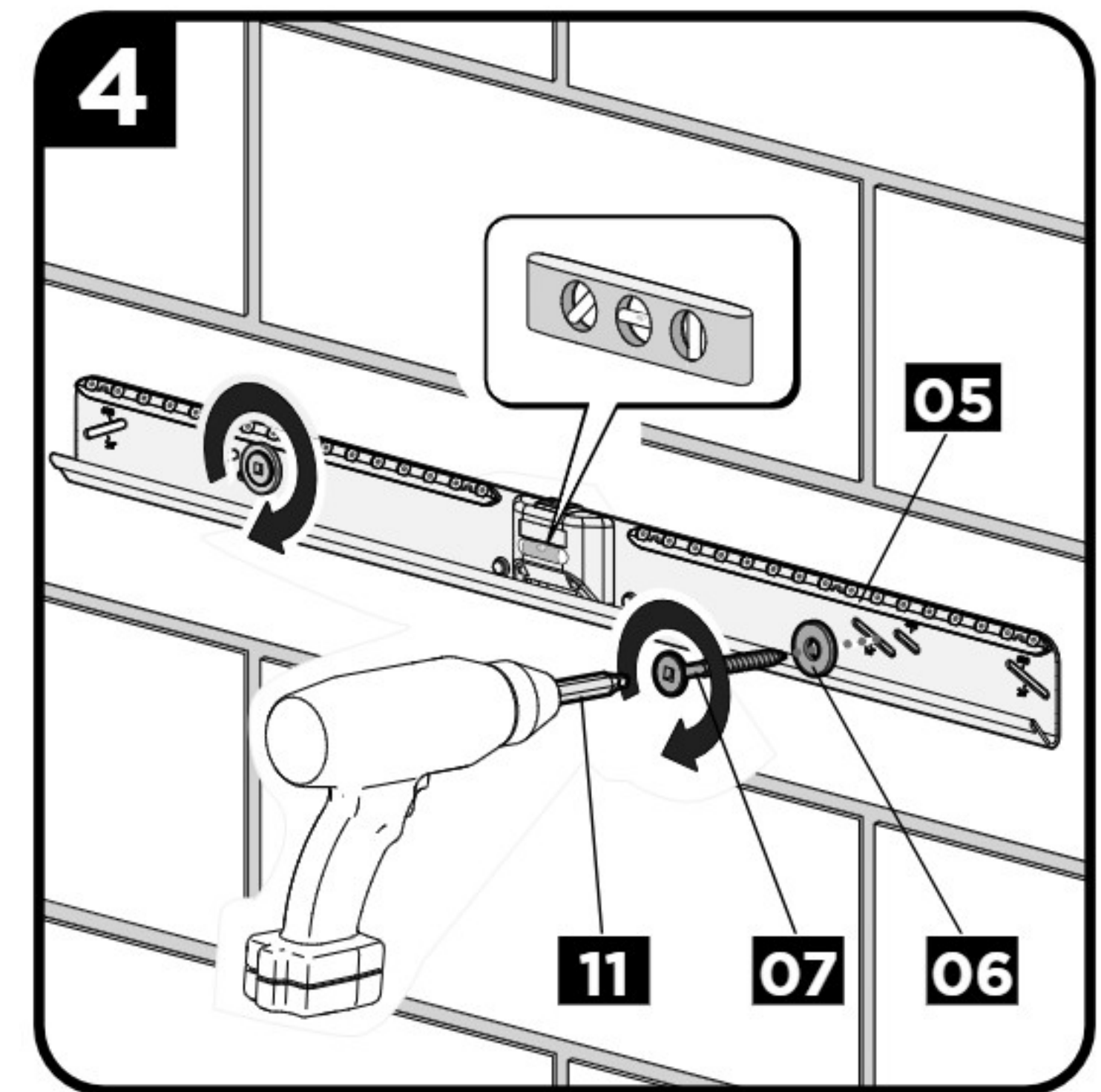
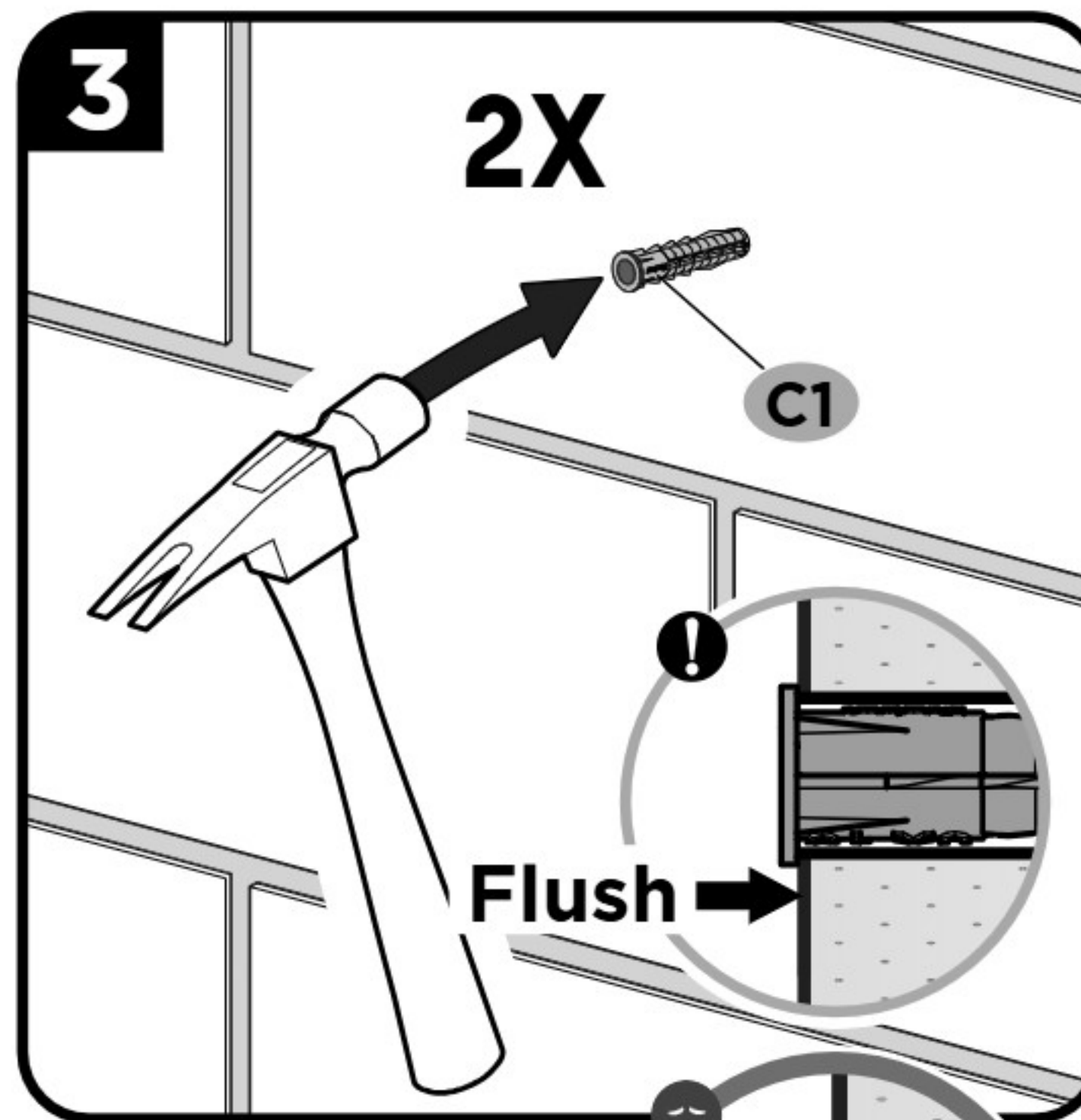
- Minimum solid concrete thickness: 8 in. (203 mm)
- Minimum concrete block size: 8 x 8 x 16 in. (203 x 203 x 406 mm)
- Minimum horizontal space between fasteners: 16 in. (406 mm)
- Mount wall plate **05** directly onto the concrete surface (no wall covering)

2C.2 Attach the Wall Plate





! IMPORTANT: Never drill into the mortar between blocks.

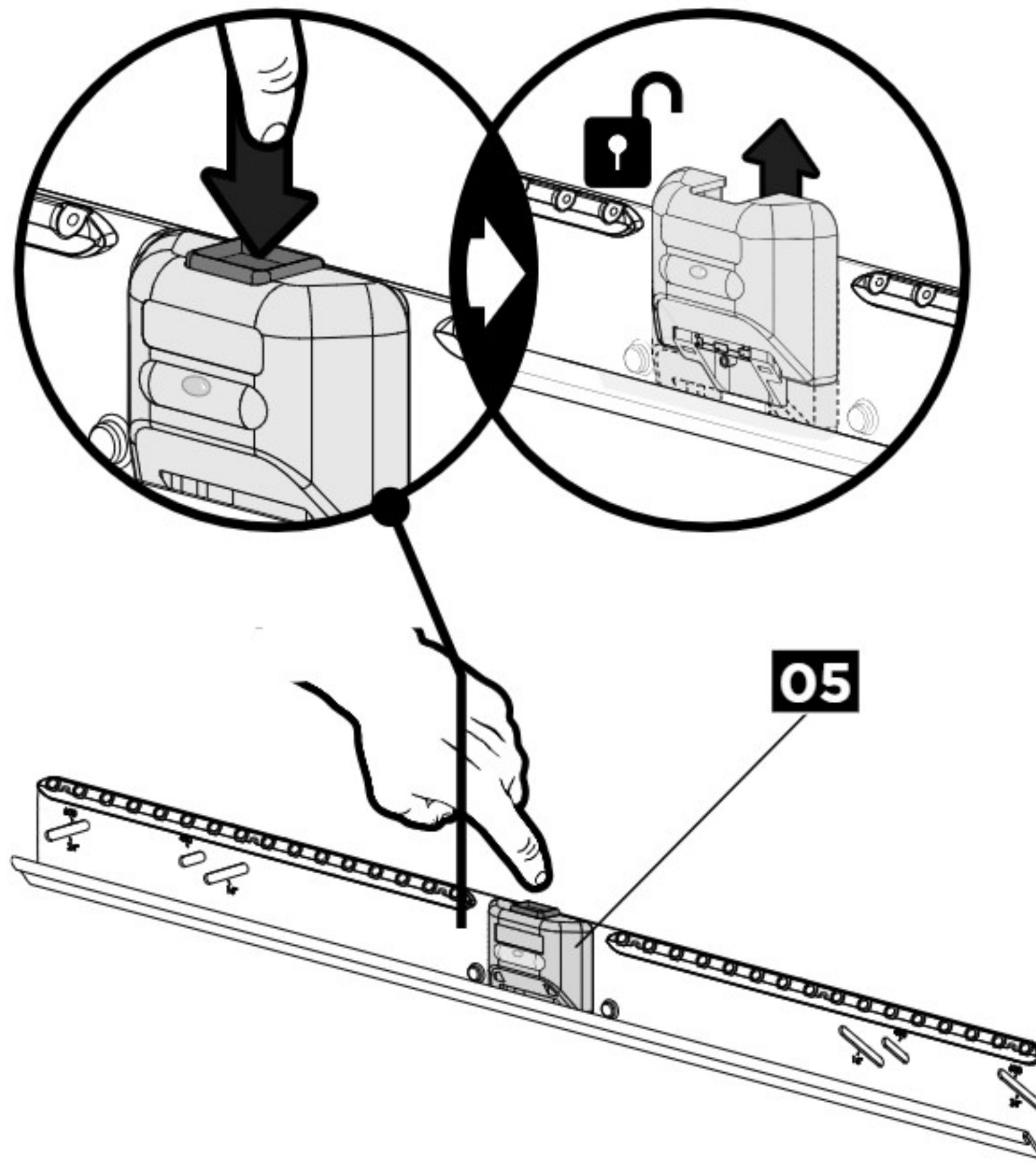


! CAUTION: Improper use could reduce the holding power of screws **07**. DO NOT over-tighten the screws.

3

LET'S HANG

3.1 Unlock the Wall Plate

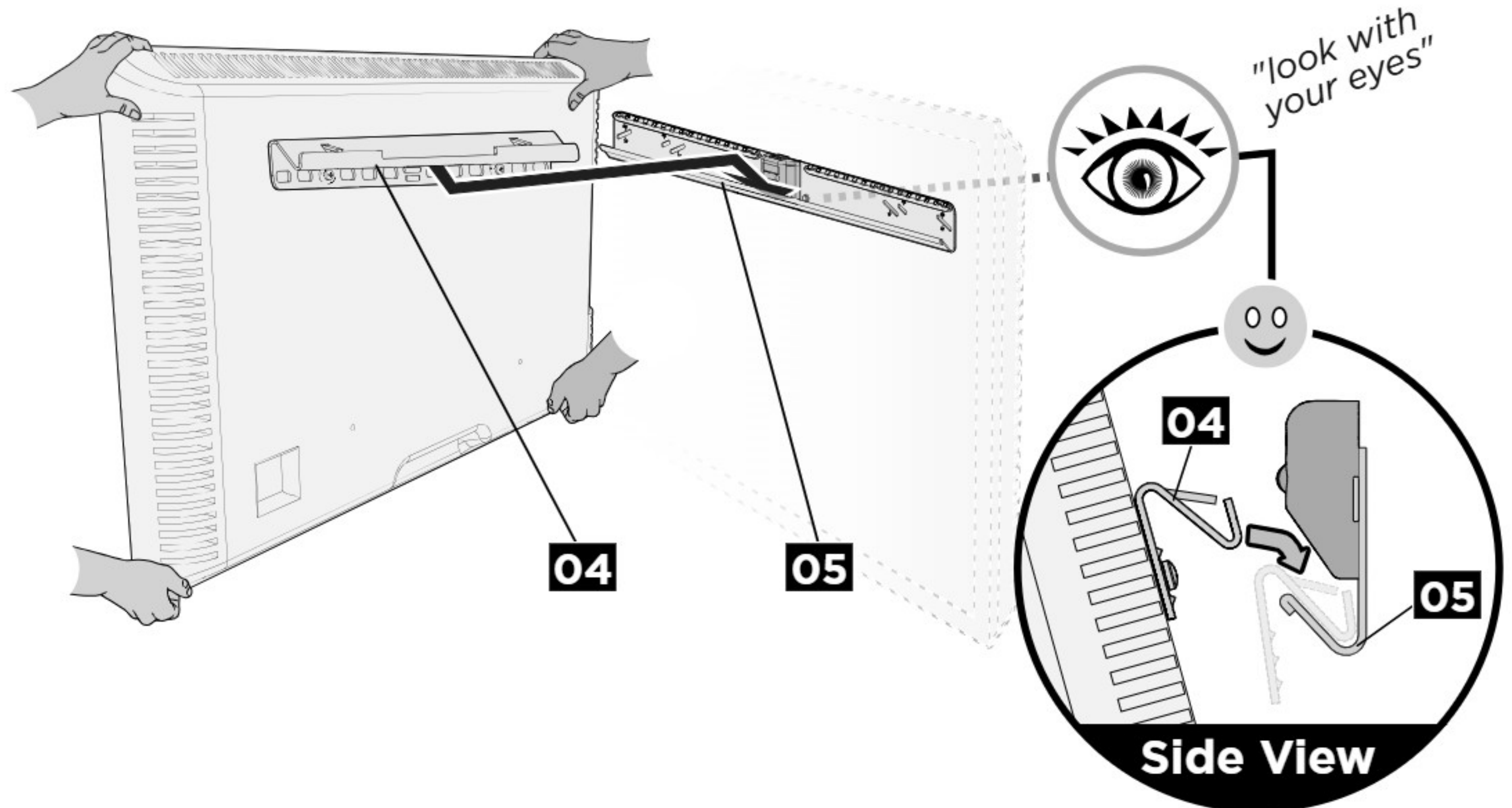


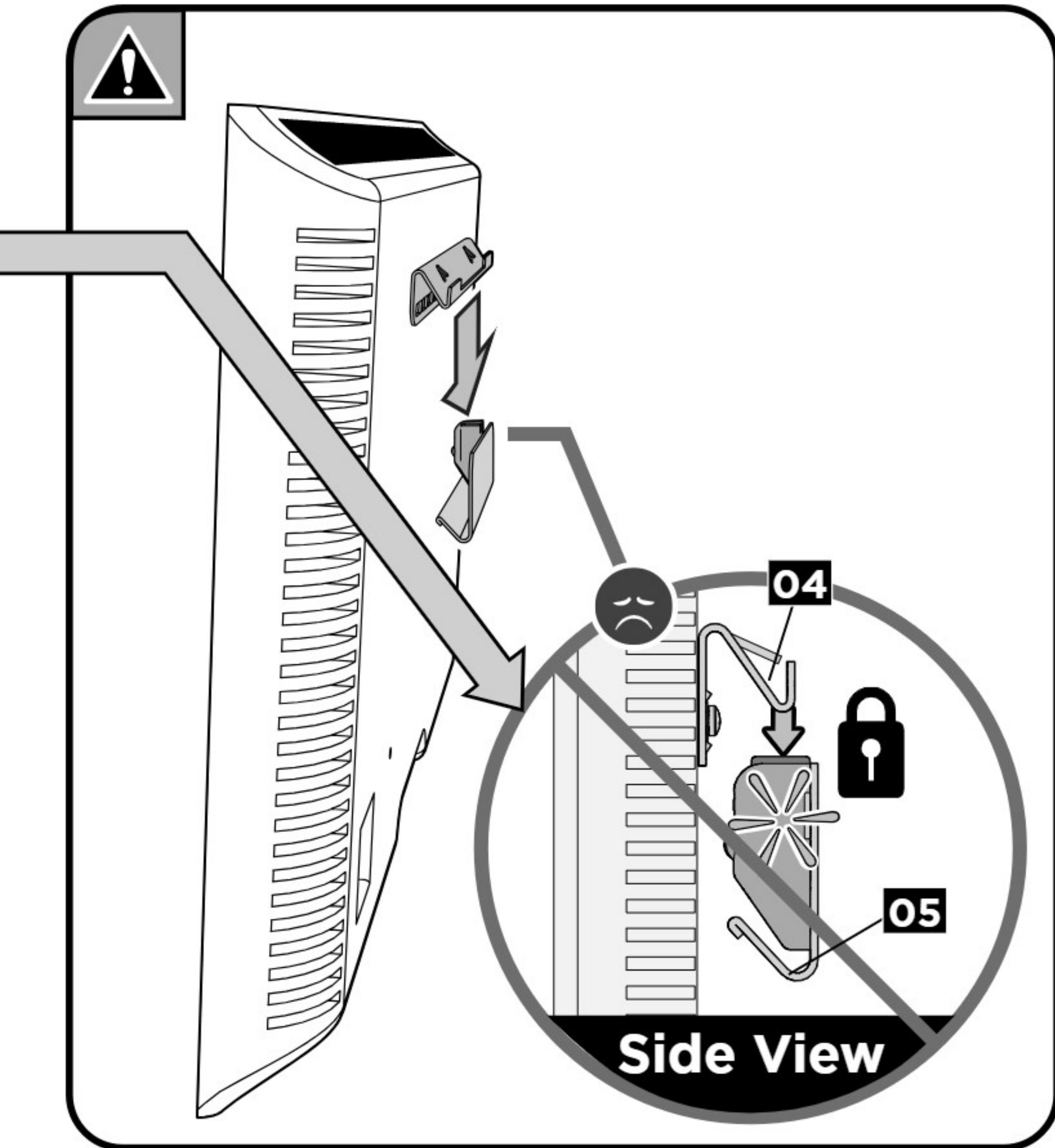
3.2 Hang Your TV



HEAVY! You may need assistance with this step.

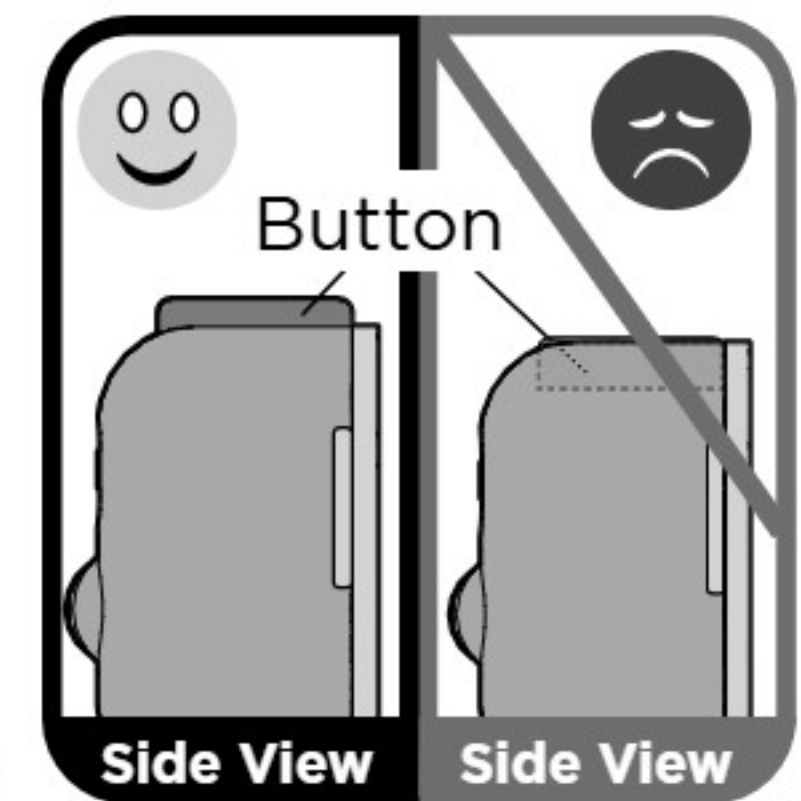
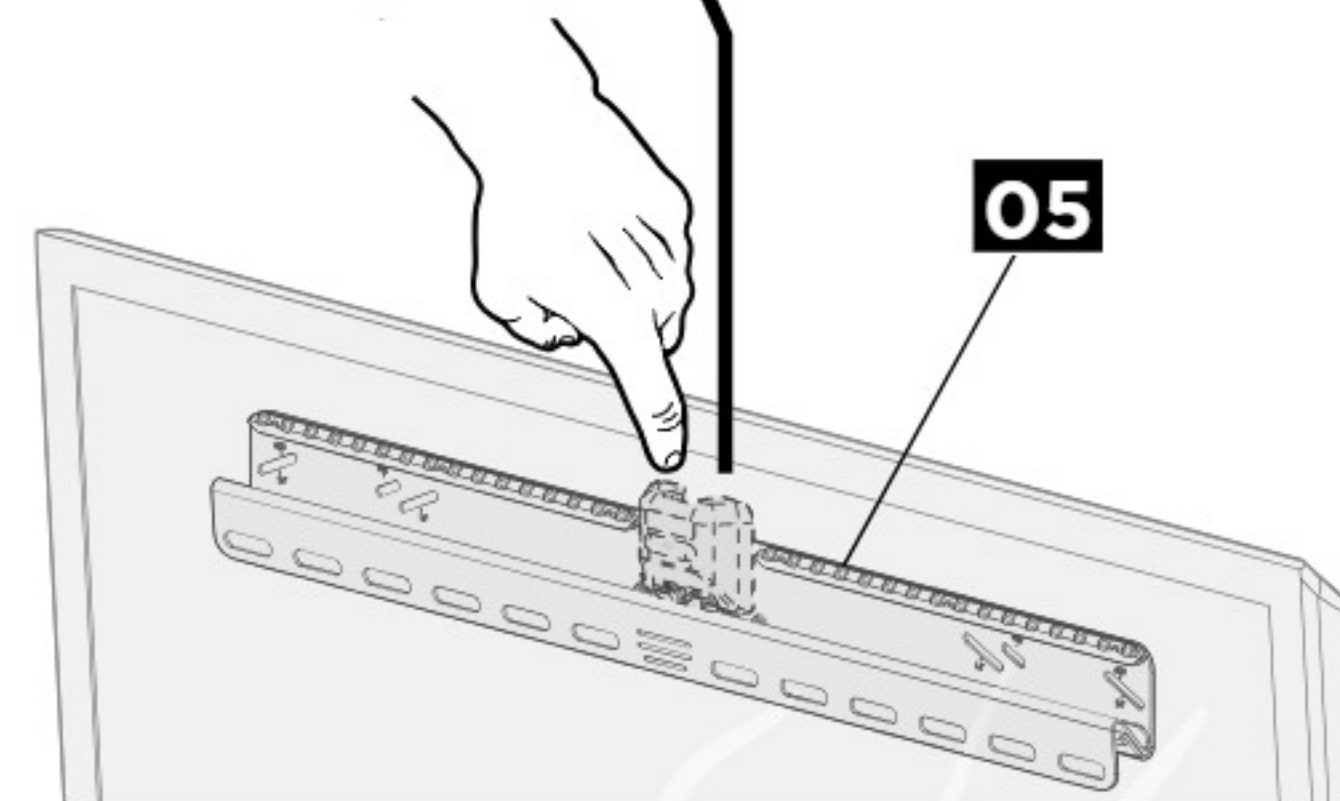
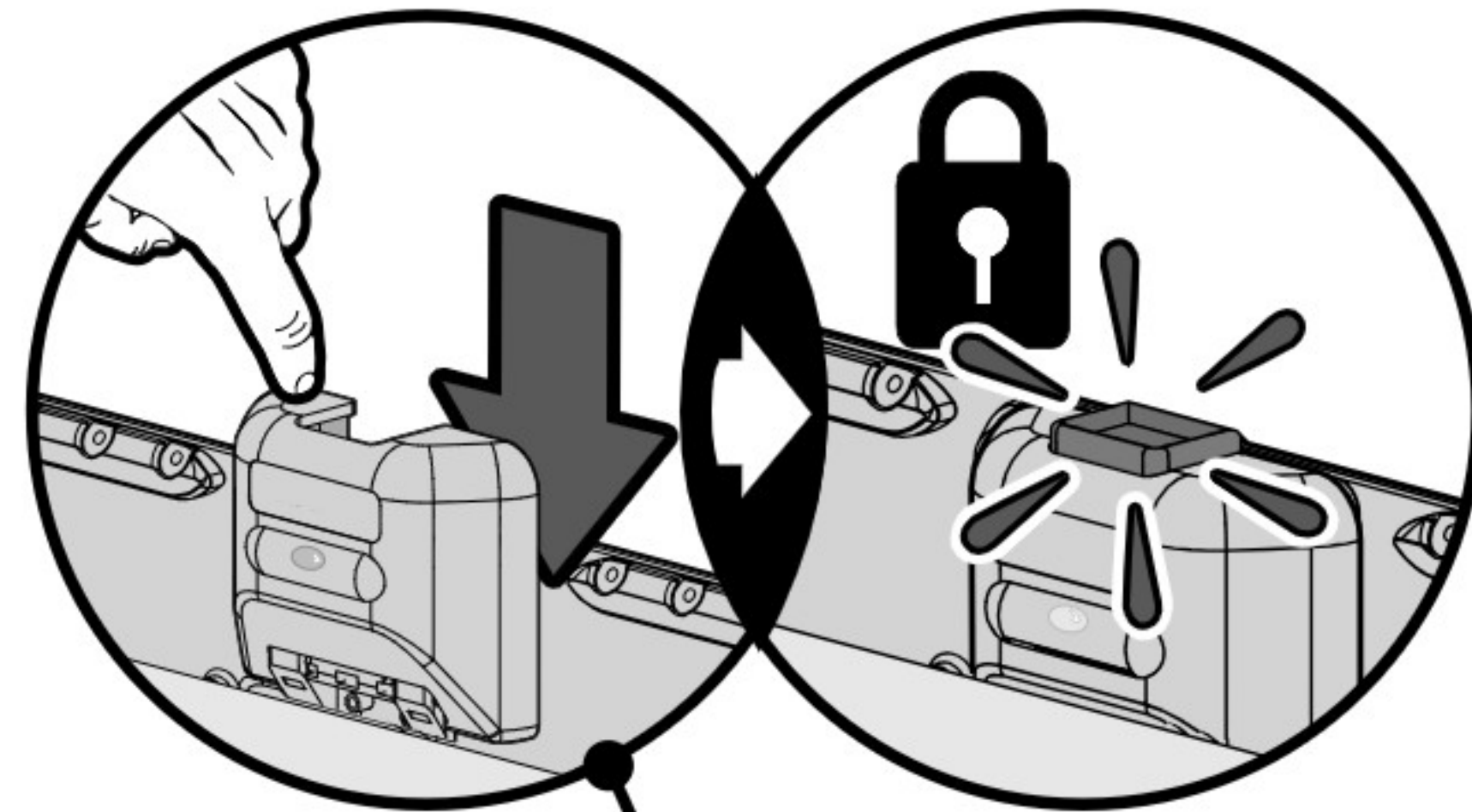
! IMPORTANT: DO NOT lower TV straight down onto wall plate **05** -- this will engage the lock. Safety latch must be released for proper installation (See STEP 3.1).





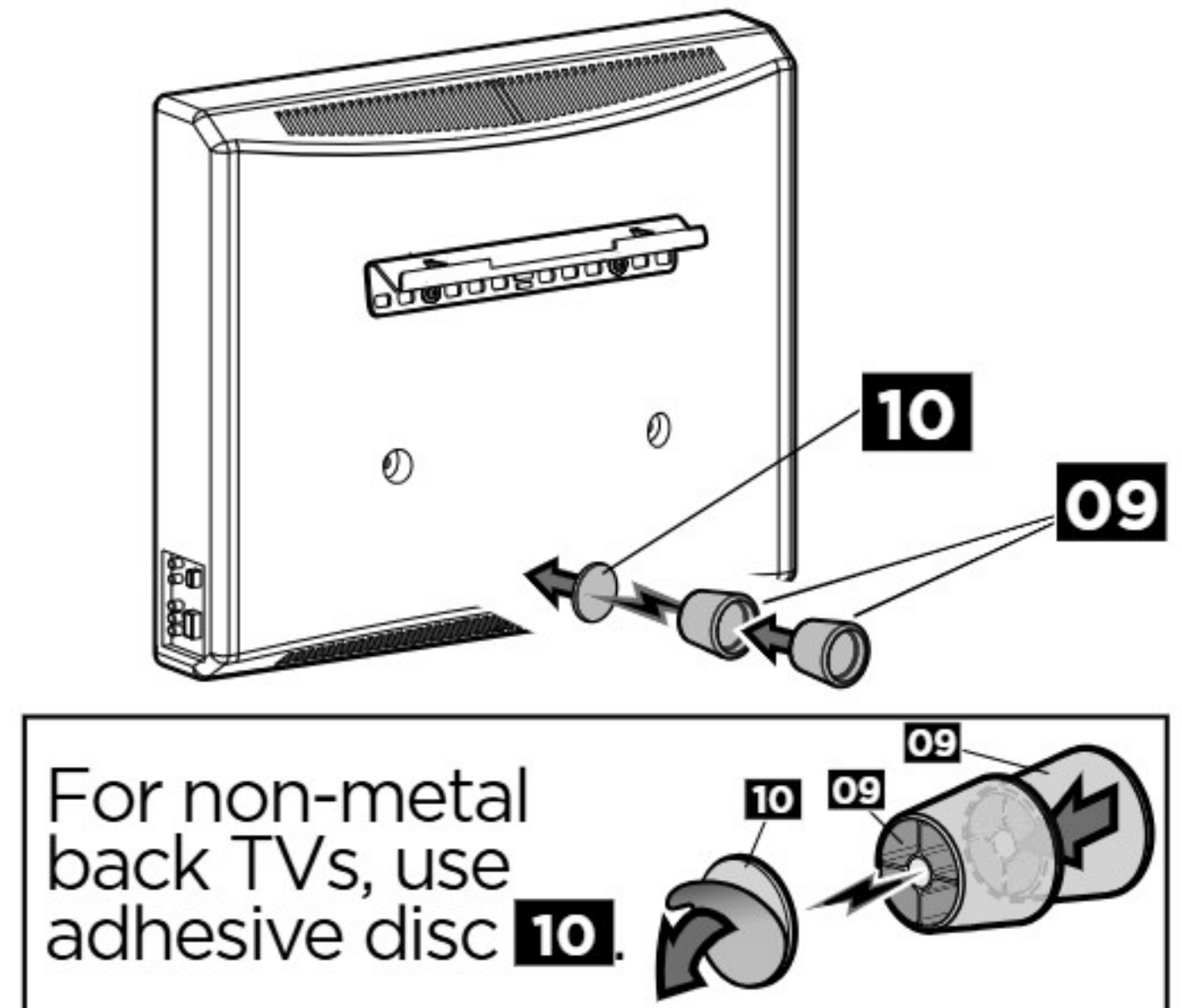
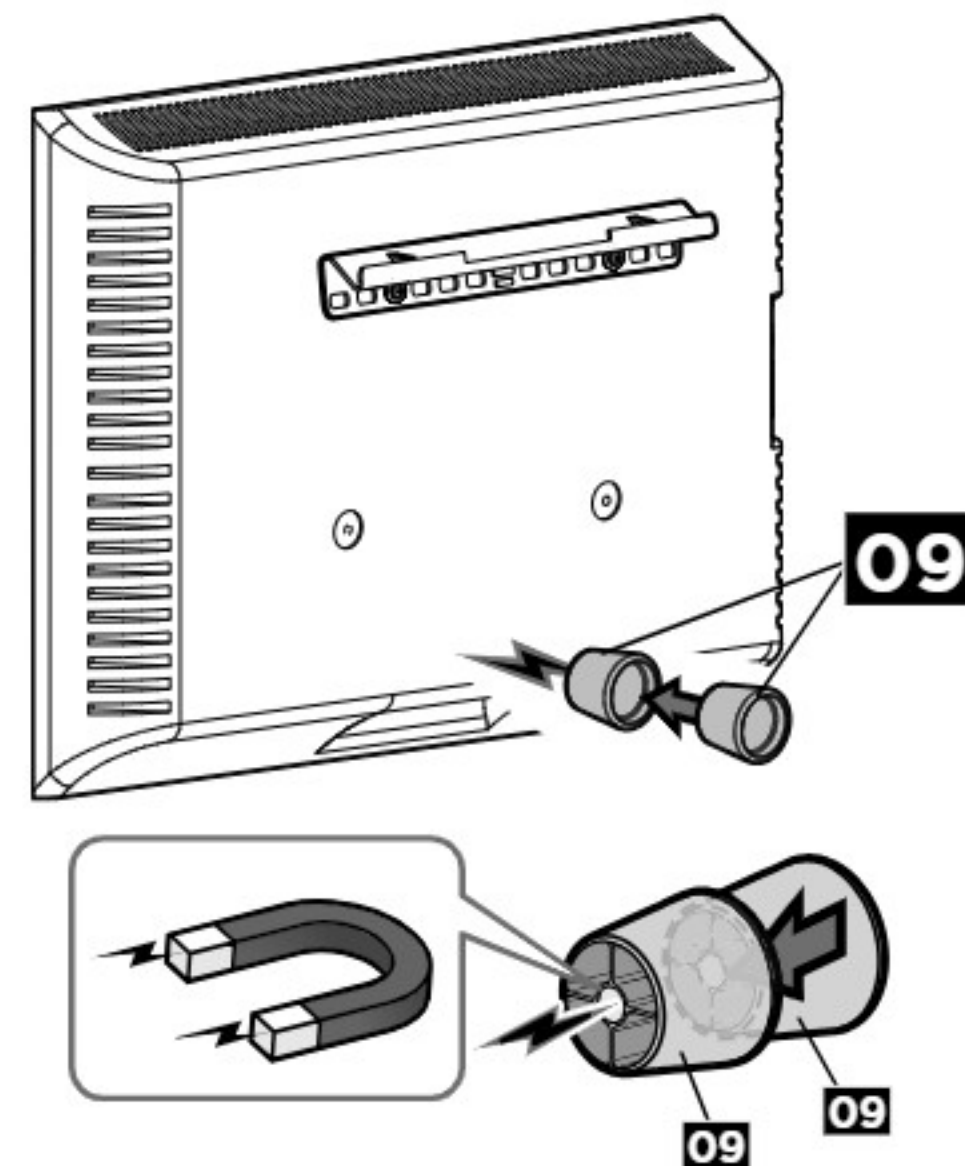
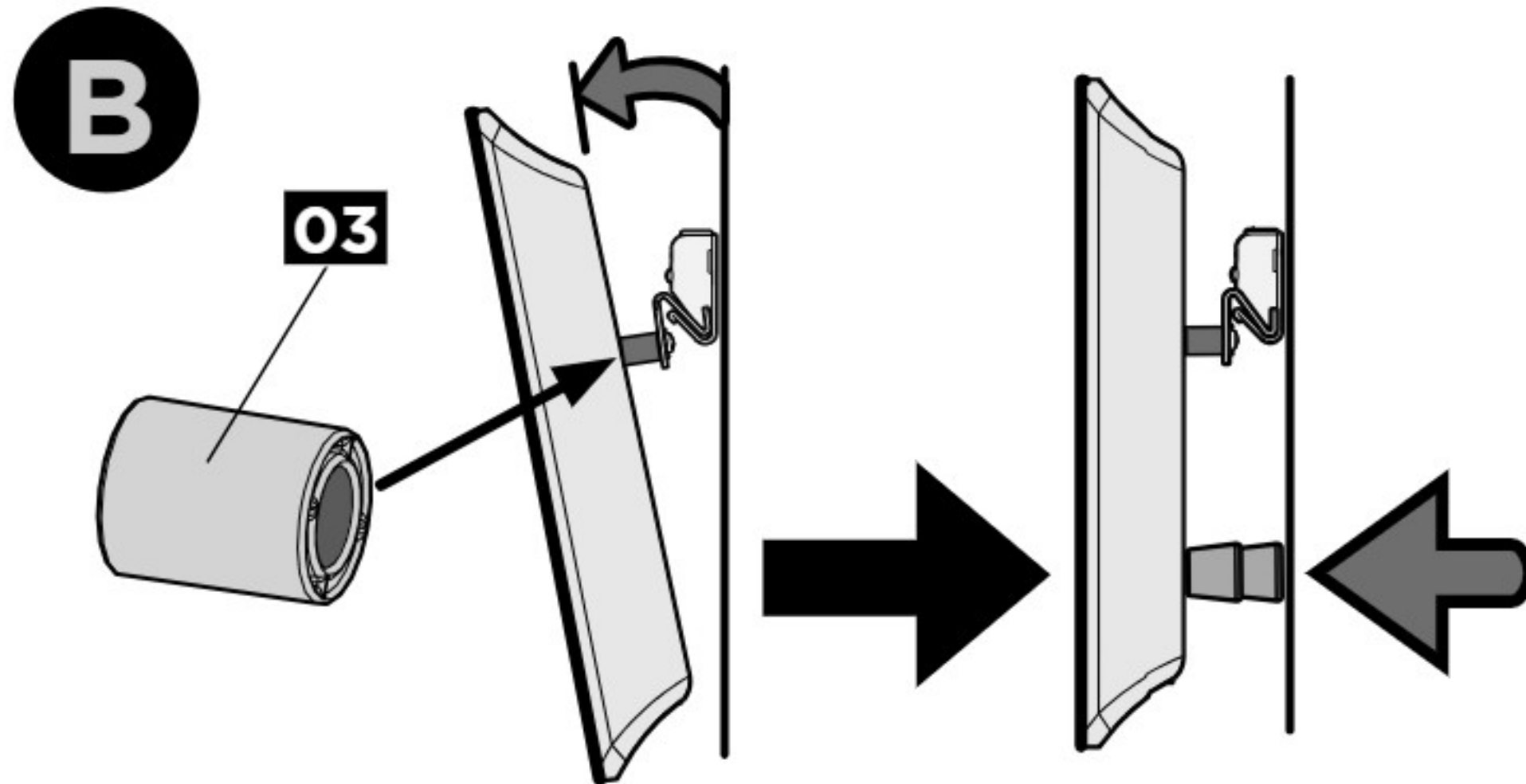
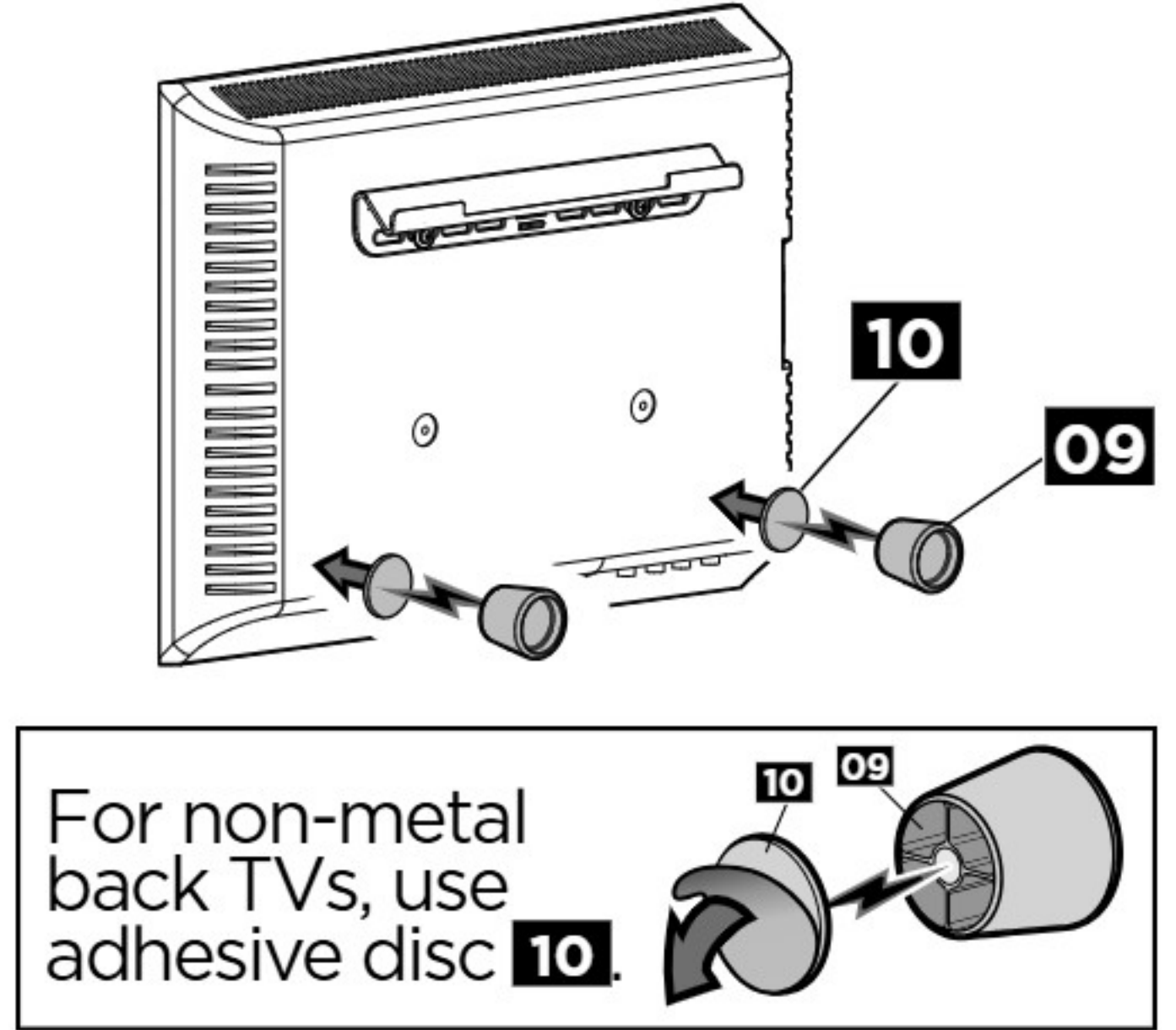
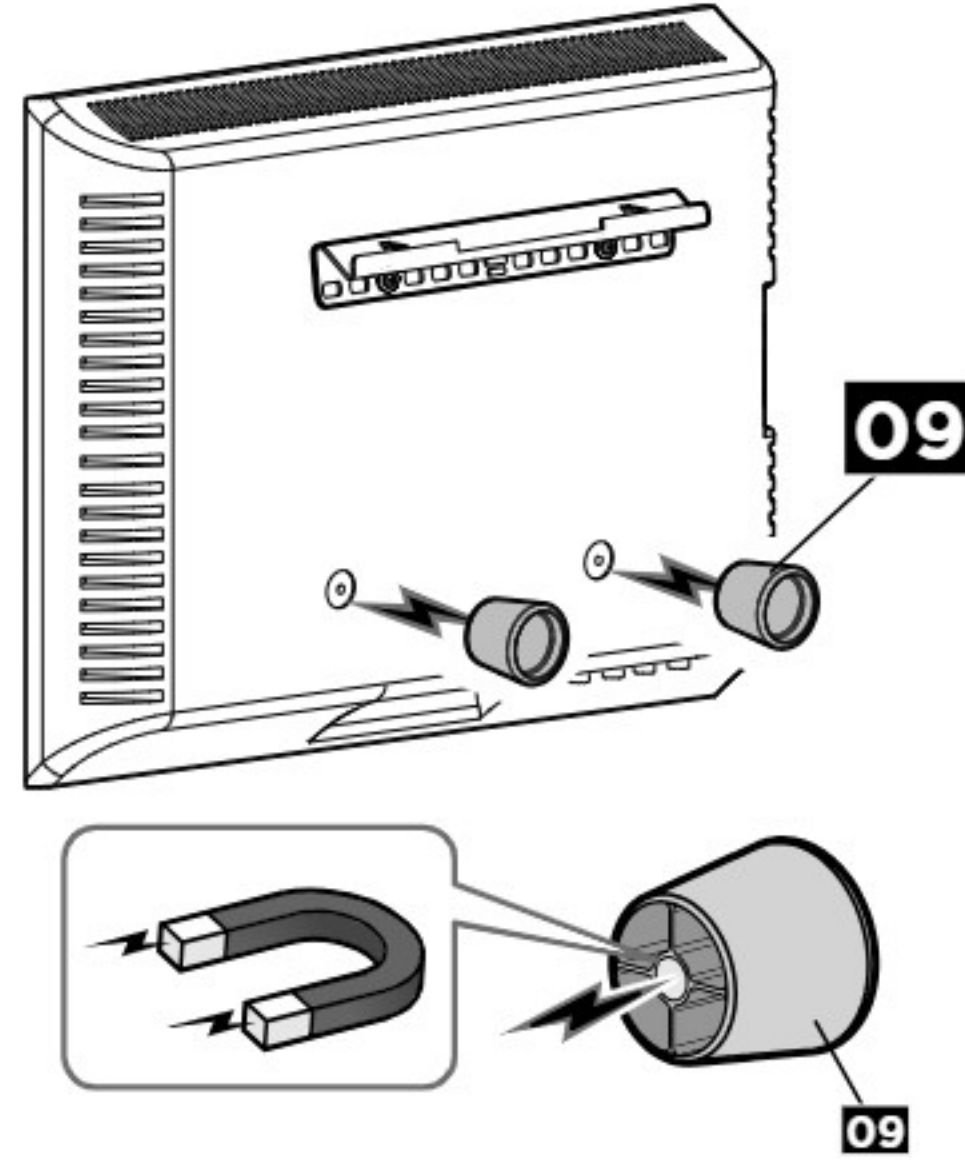
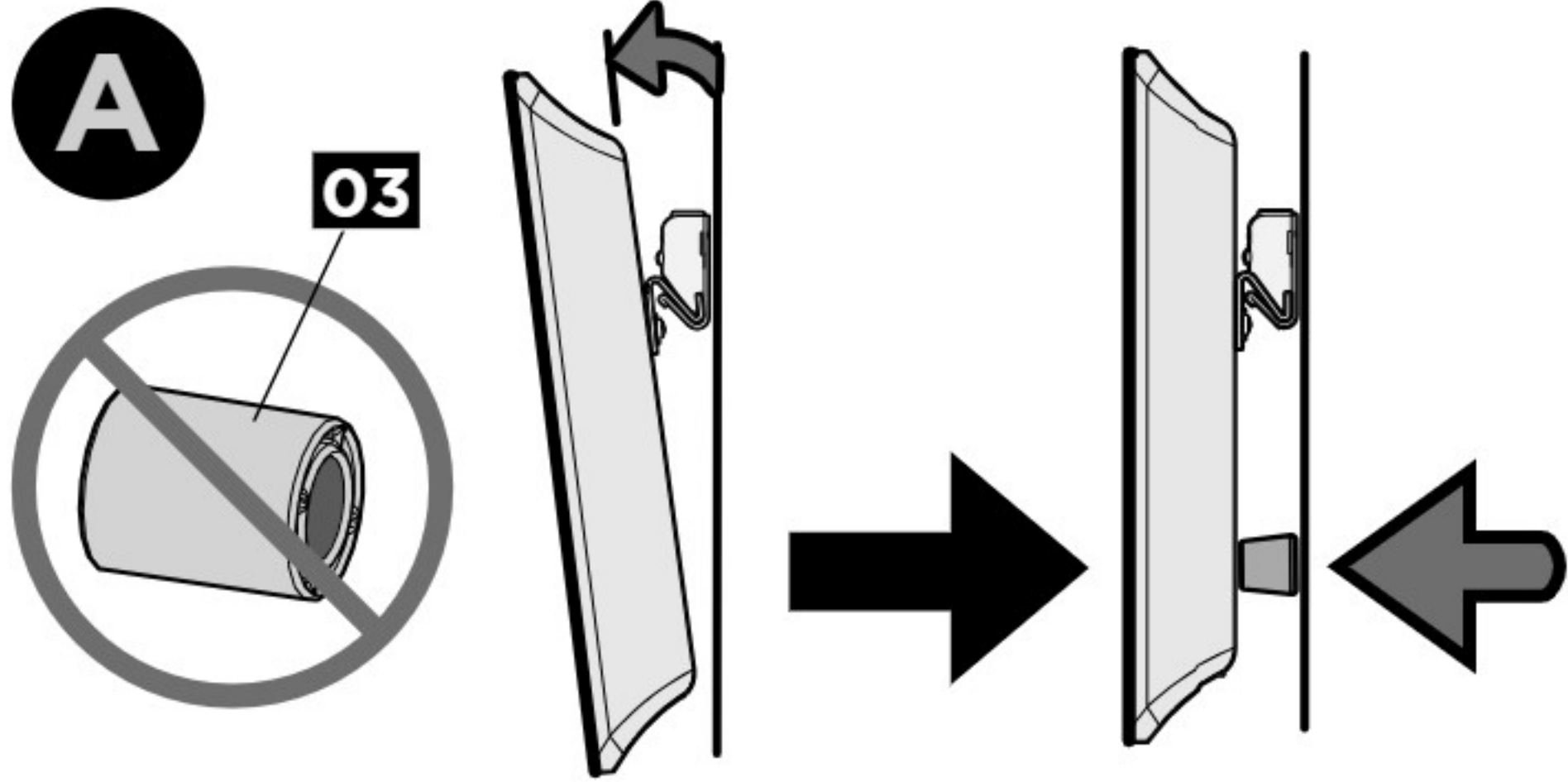
3.3 Lock the Wall Plate

⚠ CAUTION: Avoid potential personal injury or property damage! The locking mechanism must be locked, so the TV is securely fastened to the wall plate **05**.



LET'S HANG SOME MORE

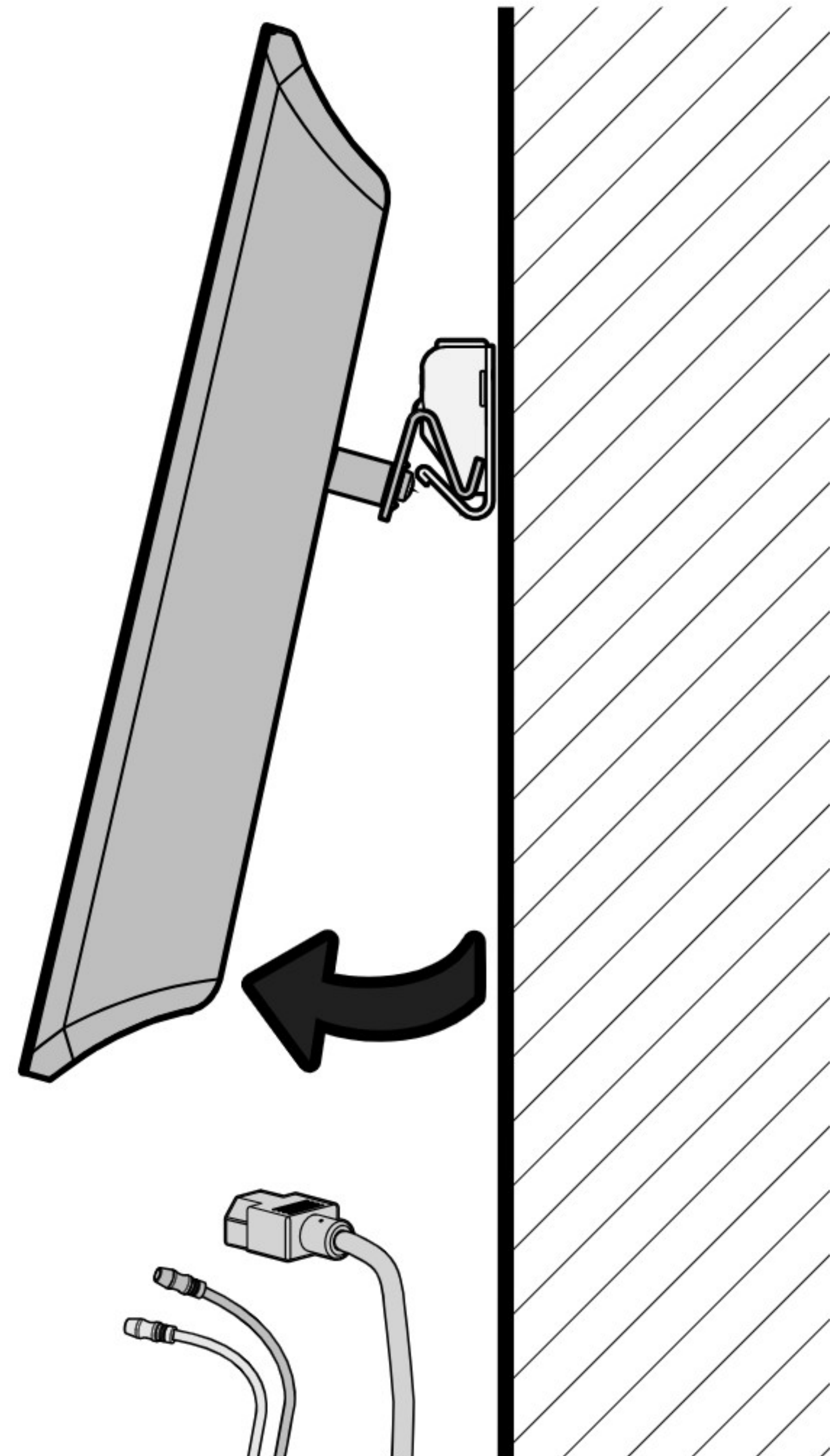
3.4 No Tilt Feature (OPTIONAL)



POWER IT UP

⚠ CAUTION: Avoid potential personal injury or property damage!

DO NOT force open your TV when adding cables. STOP lifting the bottom outward when you feel resistance.



ADJUSTMENTS

SIDE-TO-SIDE SHIFT

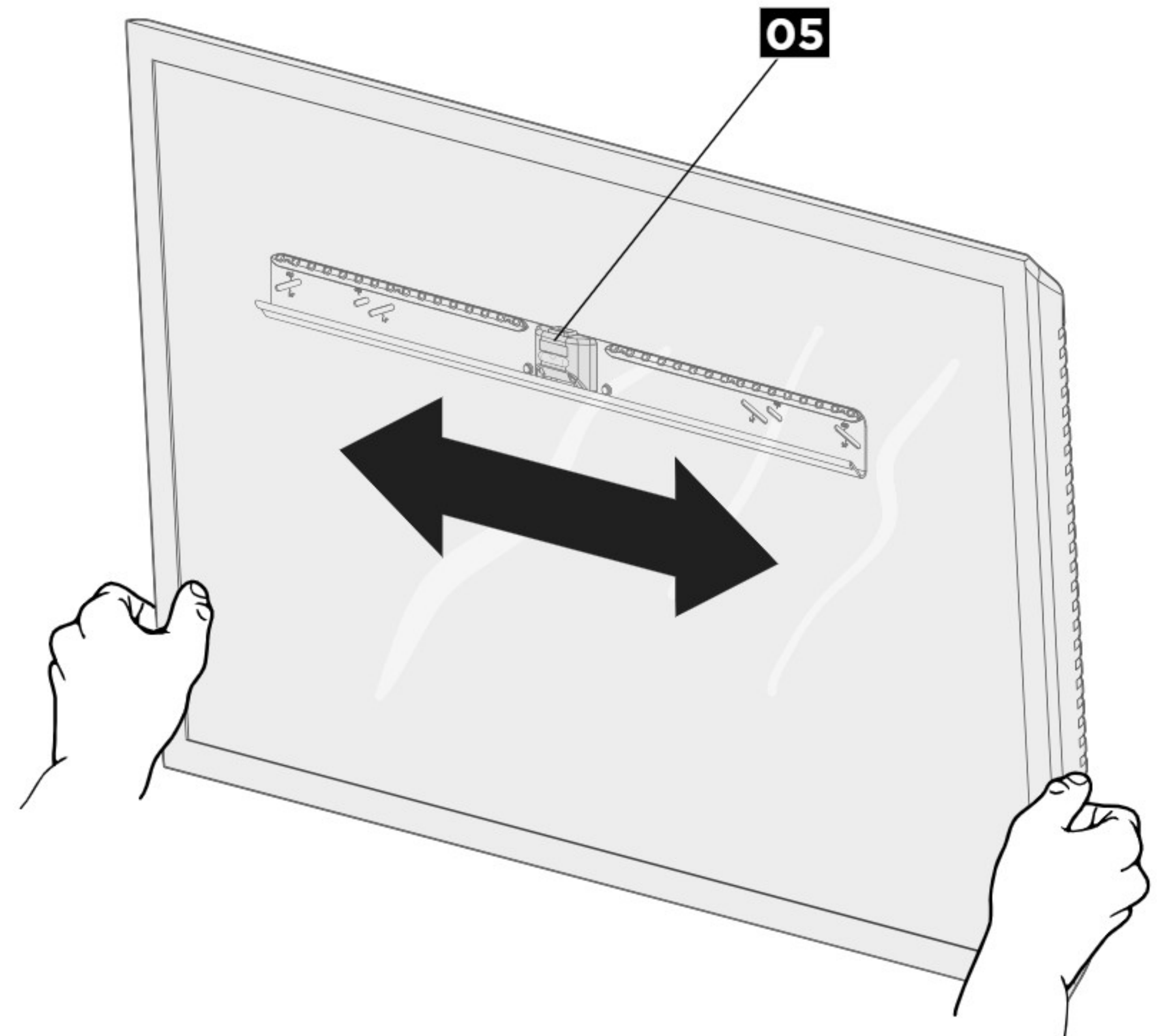
⚠ CAUTION: Avoid potential personal injury or property damage!

**FOR DRYWALL INSTALLATIONS:
DO NOT slide the TV side-to-side.**

Slide the TV side to side to adjust positioning.

📄 NOTE: Safety stops prevent over-shifting.

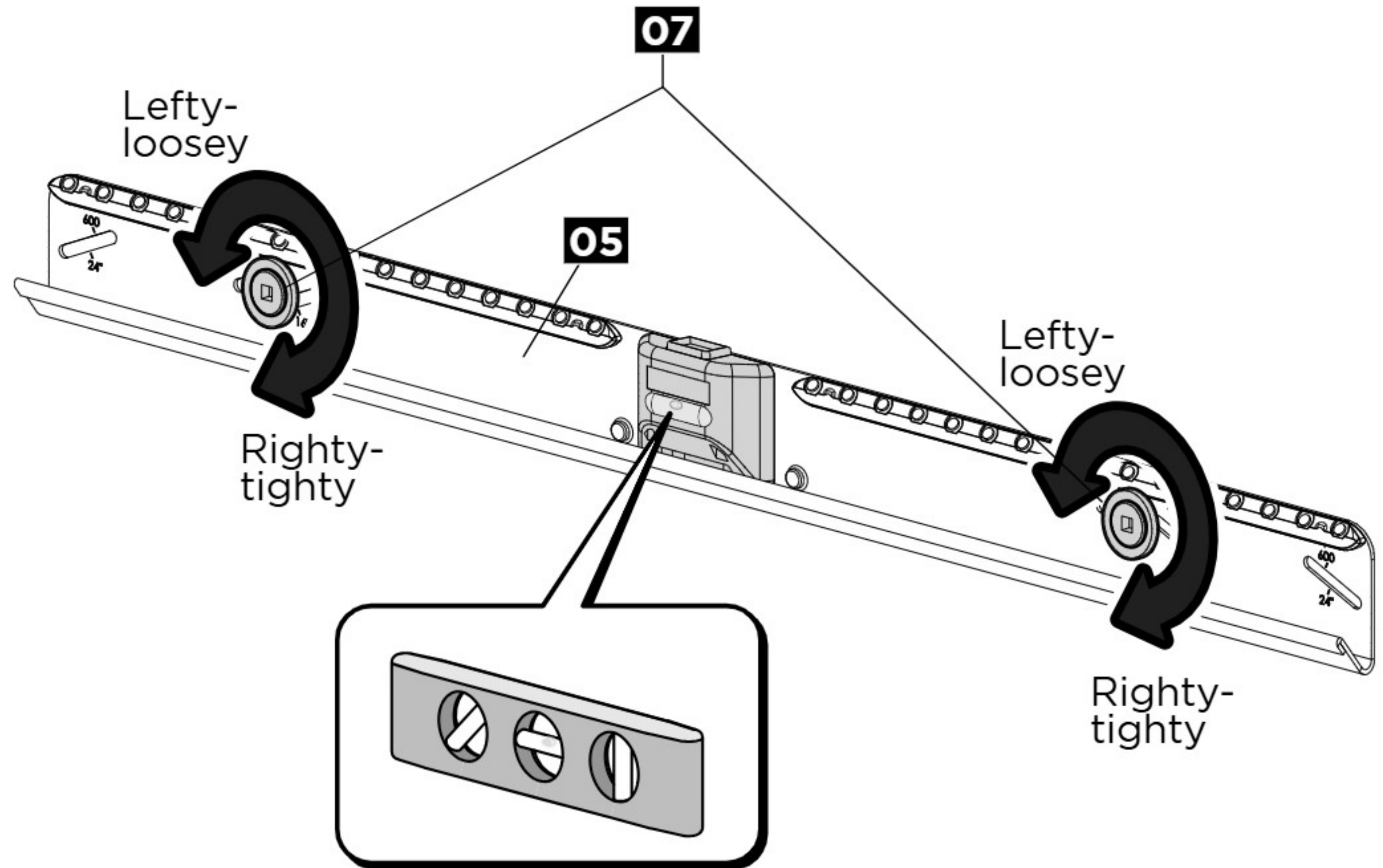
Make sure your TV is locked to wall plate **05** (STEP 3.3).



EVEN MORE ADJUSTMENTS

LEVEL [Wood Stud and Concrete Installations]

1. Remove the TV.
2. Loosen both screws **07**.
3. Adjust the level.
4. Retighten both screws **07**.



TO REMOVE YOUR TV



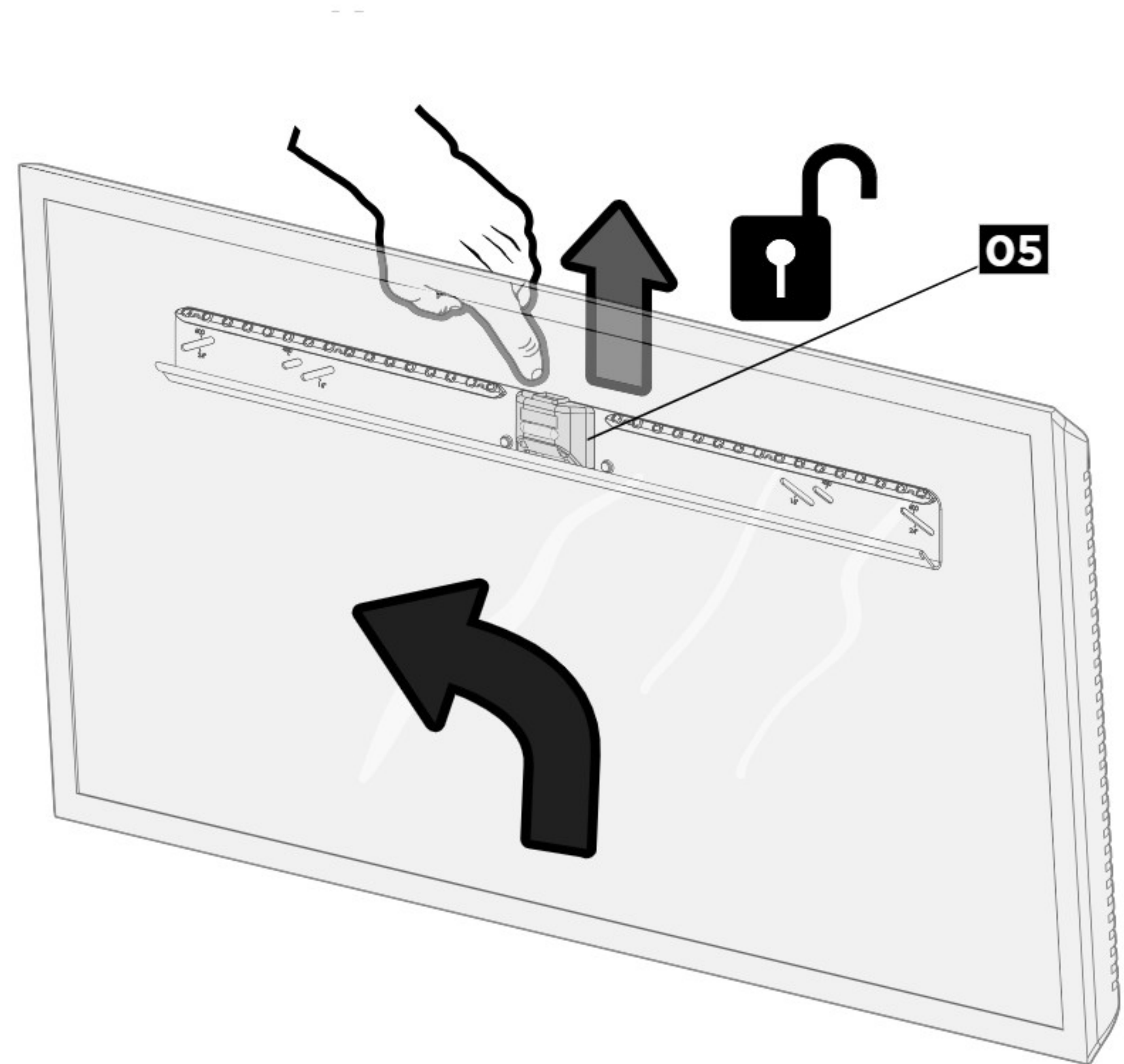
HEAVY! You may need assistance with this step.

"don't be a hero"

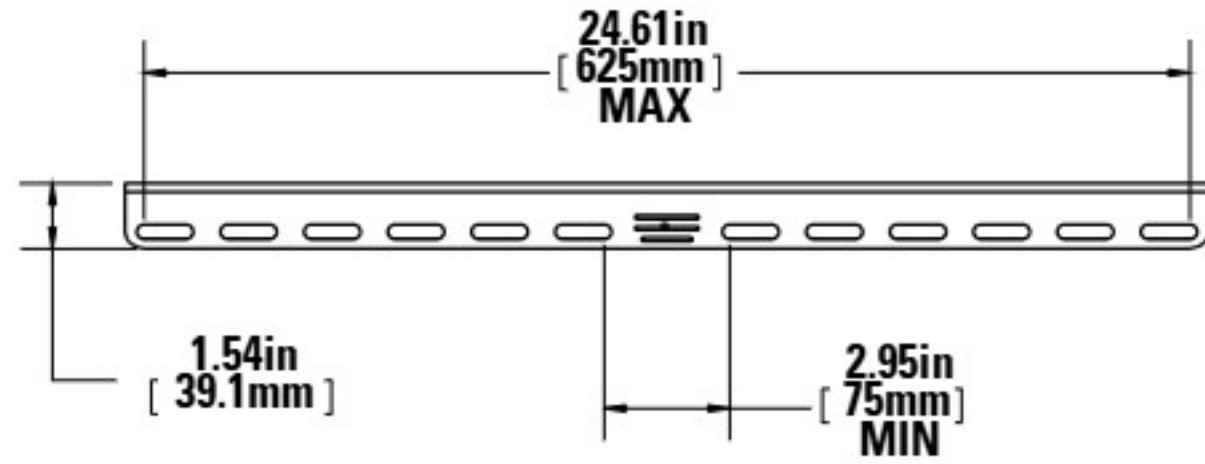
1. Disconnect your cables.
2. Unlock wall plate **05** (STEP 3.1).
3. Lift the TV up and away from wall plate **05**.

⚠ CAUTION: Avoid potential personal injuries and property damage!

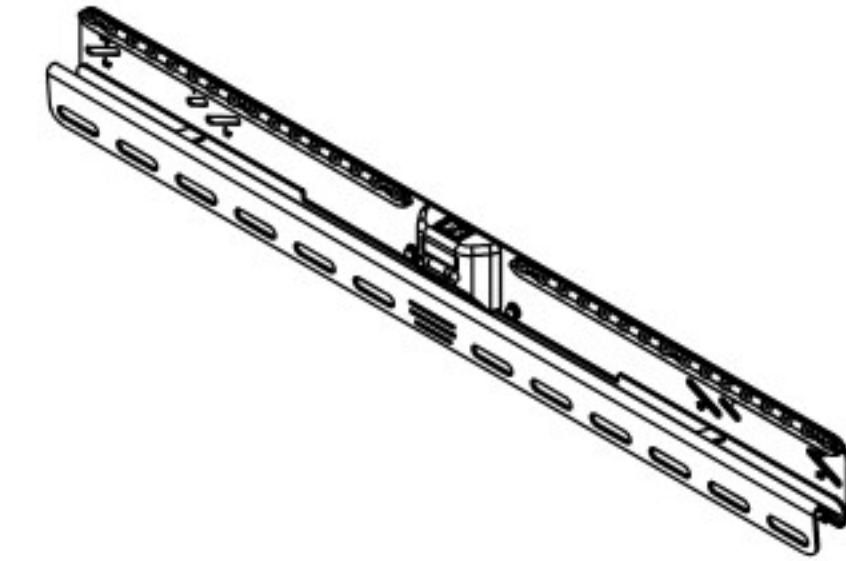
DO NOT reuse this product after removing wall plate **05** from the wall.



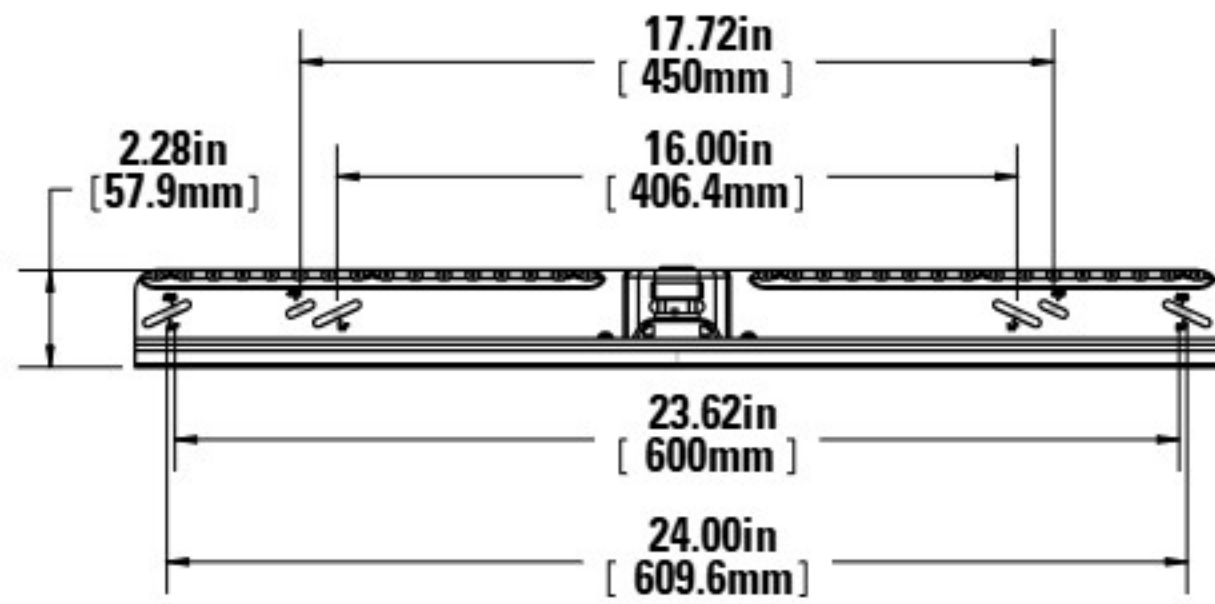
TV INTERFACE



3-D

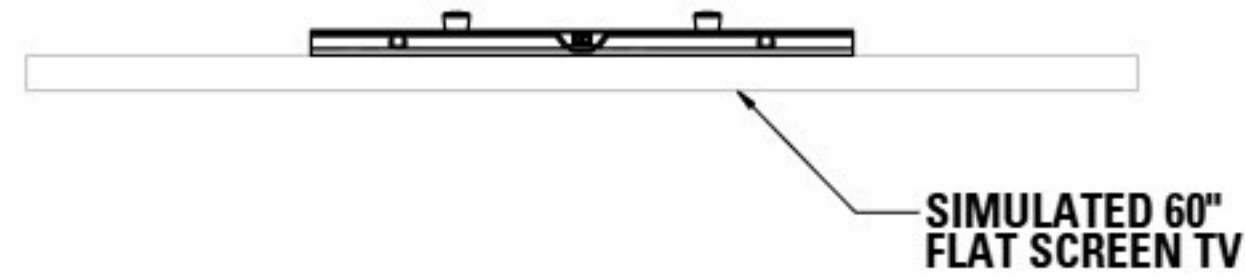


WALL PLATE

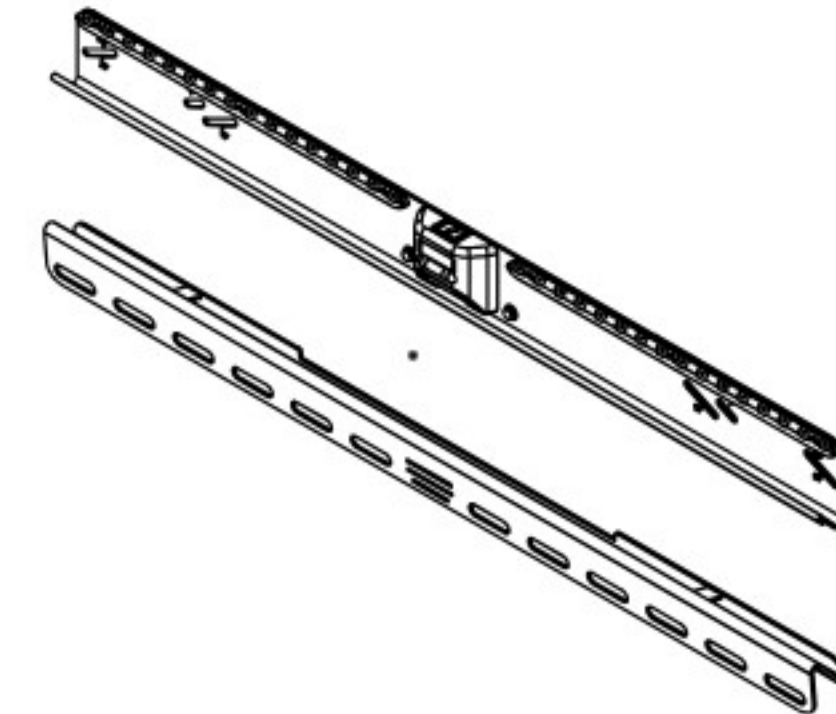


TOP VIEW - TV MOUNTED

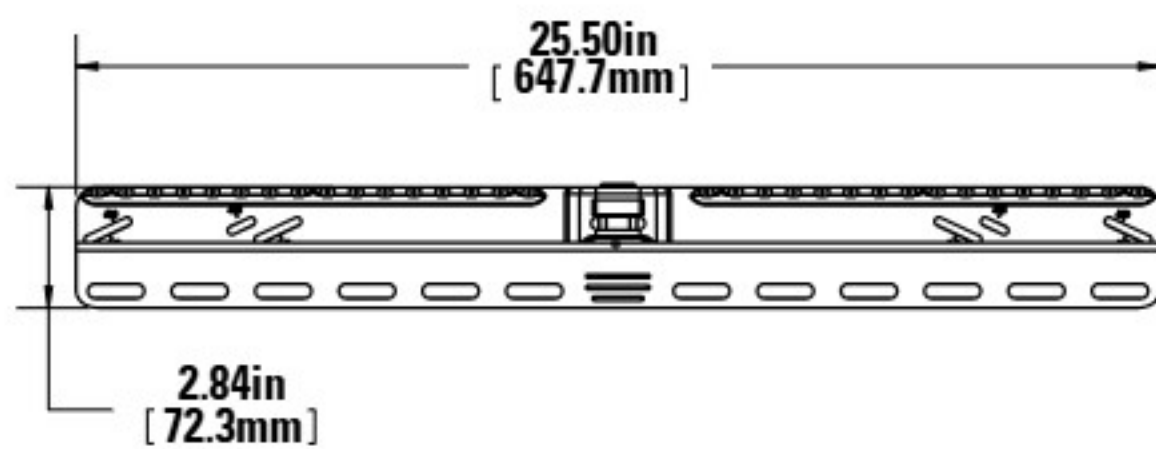
WALL IS ON TOP



3-D



FULLY ASSEMBLED MOUNT

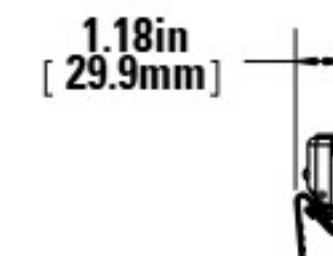


TOP VIEW

WALL IS ON TOP



SIDE VIEW



WALL IS ON RIGHT

ECHOGEAR

#YourGearUpgraded

“Wanna show off your hard work? Share a picture of your completed project with **#YourGearUpgraded**. Who knows, it might not be as bad as you thought”

Confuzzled?

**Contact the ECHOGEAR Team
7 days a week:**

Legrand AV Inc.

6436 City West Parkway
Eden Prairie, MN 55344 USA

P: 1-855-428-2490

helpmehelpyou@ECHOGEAR.com

ECHOGEAR.com

Legrand AV Netherlands B.V.

Franklinstraat 14 6003 DK Weert,
Netherlands

P: +44 (0) 800 0568188

helpme@ECHOGEAR.com

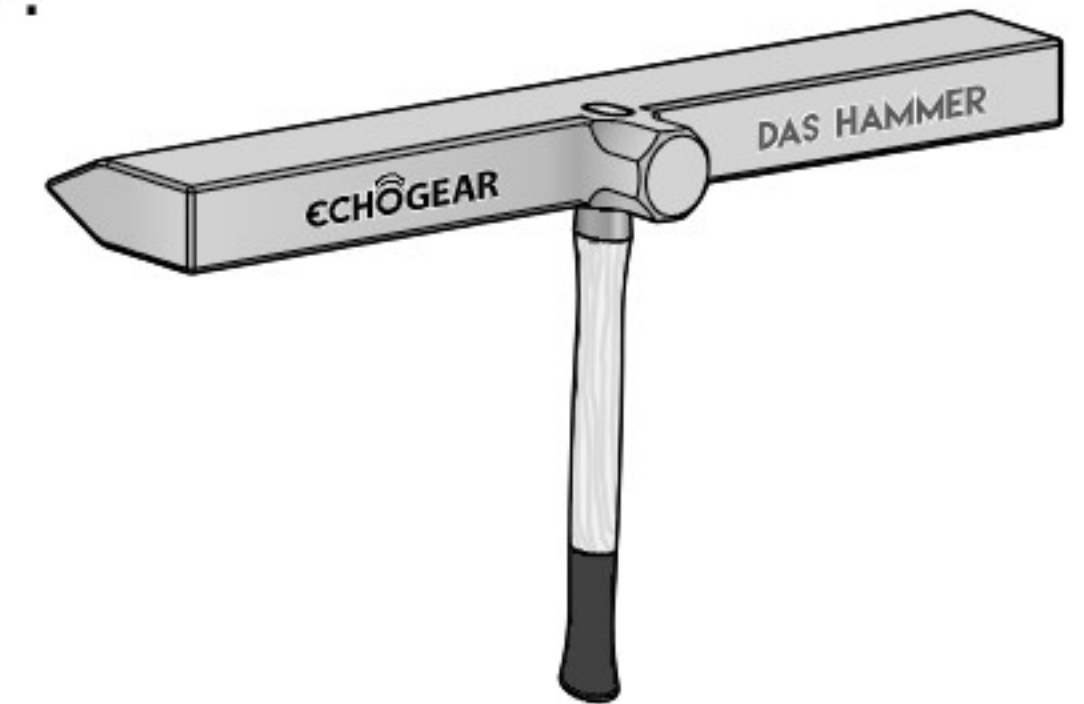
ECHOGEAR.com

ECHOGEAR

THINK YOU GOT WHAT IT TAKES?

Try **‘Das Hammer’** and see if you can install all 32 nails with ONE BLOW!

Go to ECHOGEAR.com and search, “Das Hammer” to find out how to get your hands on one of these bad boys ... **while supplies last.**



DISCLAIMER: You assume all responsibilities for Echogear's Das Hammer. Echogear is not responsible for any injuries or damage sustained to fingers, hands, foreheads, toes or limbs, your wall, the mount or the nails, any bystanders or pets, any part of your house, including your mailbox and the delivery courier.

Legrand AV Inc. and its affiliated corporations and subsidiaries (collectively, “Legrand”), intend to make this manual accurate and complete. However, Legrand makes no claim that the information contained herein covers all details, conditions, or variations. Nor does it provide for every possible contingency in connection with the installation or use of this product. The information contained in this document is subject to change without notice or obligation of any kind. Legrand makes no representation of warranty, expressed or implied, regarding the information contained herein. Legrand assumes no responsibility for accuracy, completeness or sufficiency of the information contained in this document.

©2020 Legrand AV Inc. All Rights Reserved. ECHOGEAR is a Legrand AV Inc. brand and a registered trademark owned by Legrand. Made in China.

Legrand AV Inc. • 6436 City West Parkway • Eden Prairie, MN 55344 USA

6901-602628 00