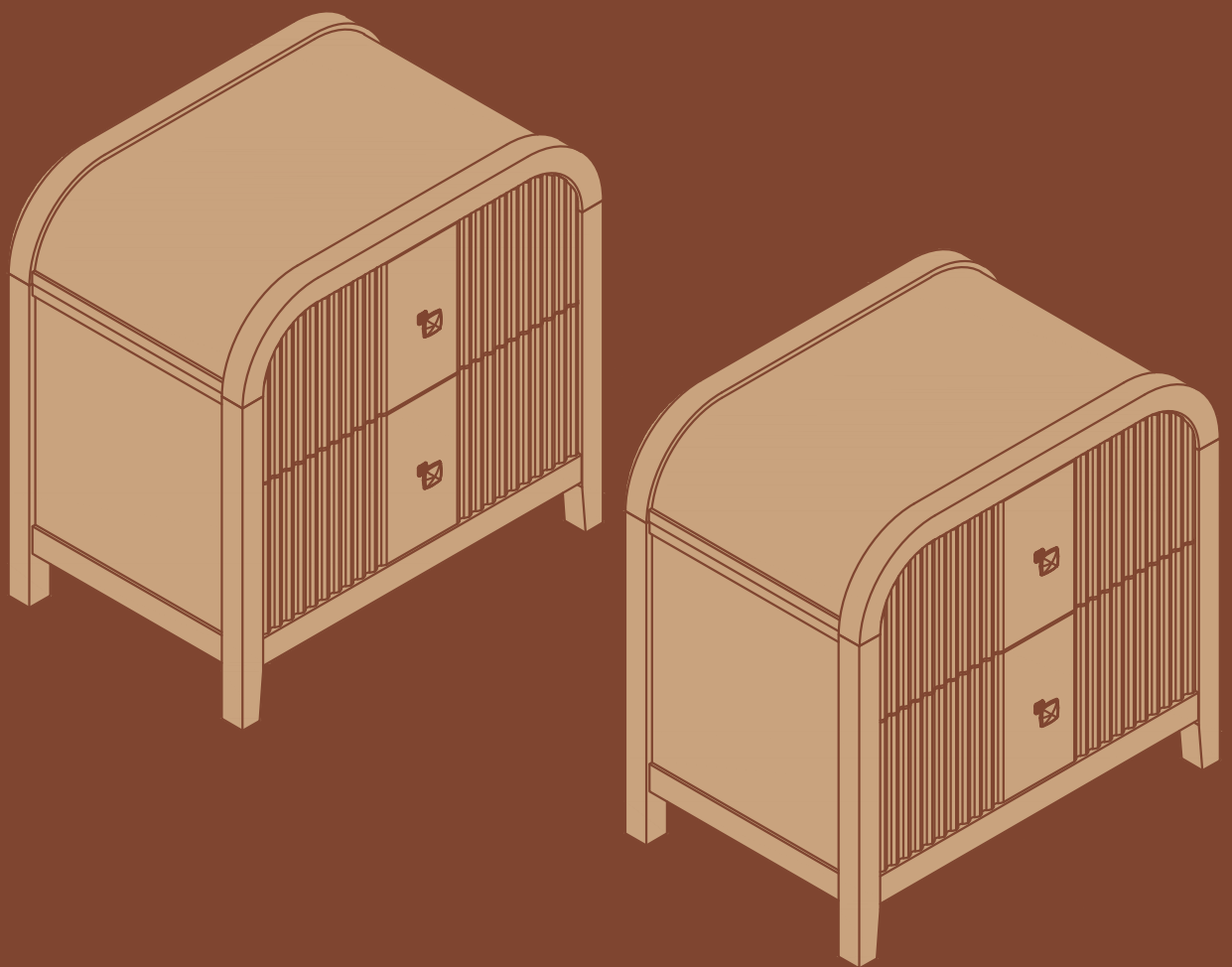


ASSEMBLY INSTRUCTION



Nightstand

CATALOGUE

Precautions	01
Parts List	02
Hardware List	03
Tool List	04
Assembling Process	05-28

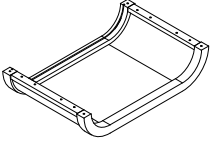
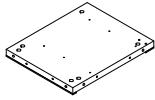
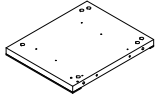
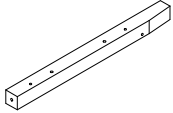
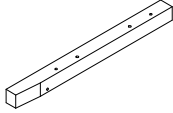
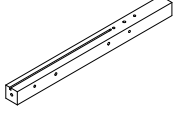
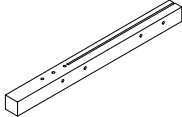
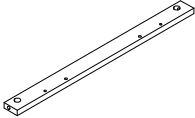
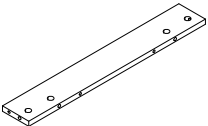
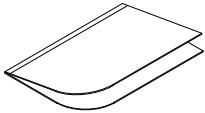
INTRODUCTION

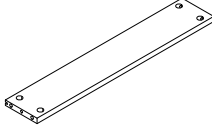
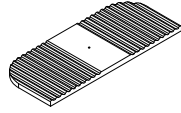
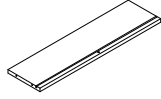
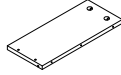
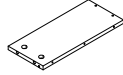
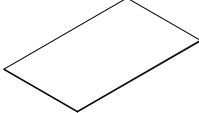
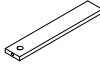
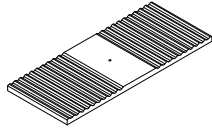
Thank you for purchasing our products. Please read the instructions carefully before installation and keep it in a safe place for future reference. If you need any assistance or support, please feel free to contact our customer support team.

PRECAUTIONS


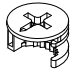



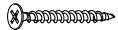


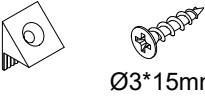

1. There are many components and accessories in the package. Each component and accessory is labeled with a letter or a number, check carefully before using any of them. Keep them away from children to prevent accidents.
 2. Please install the product on a clean and soft underlay (such as carpet or cardboard) to avoid scratching or damaging the surface of the product.
 3. The main components of the product is relatively heavy. Please pay attention to safety during installation.
 4. The product is not stable during installation. Please do not move it randomly before it is completely installed.
 5. If you have any questions during installation, please contact the customer service in time.
- * **Please be sure to follow the installation steps in the manual to avoid unnecessary losses caused by improper installation.**
 - * **If you need further assistance, please contact the customer service online.**

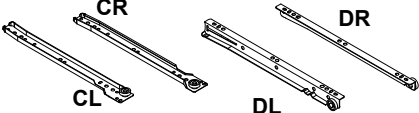
Parts List

ID	Parts	QTY
1		2
2		2
3		2
4		2
5		2
6		2
7		2
8		2
9		2
10		2

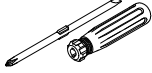
ID	Parts	QTY
11		2
12		2
13		4
14		4
15		4
16		4
17		4
18		2

Hardware List

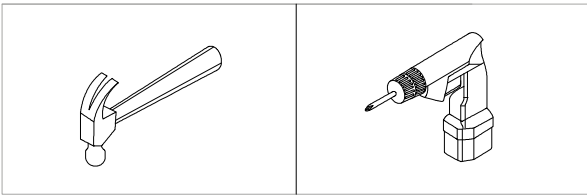
ID	Parts	QTY
A	 Ø6*33.5mm	64+6
B	 Ø15*9.5mm	64+6
C	 Ø6*30mm	44+4
D		8
E	 Ø3.5*12mm	48+4
F	 Ø4*38mm	20+2
G		4
H	 M4*20mm	4
I	 Ø3*15mm	8+1
J		64+6

ID	Parts	QTY
		4 SET

Tool List

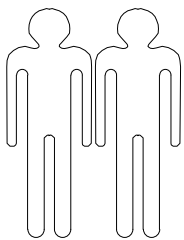
ID	Parts	QTY
Z1		1

Required Tools (Not Included)

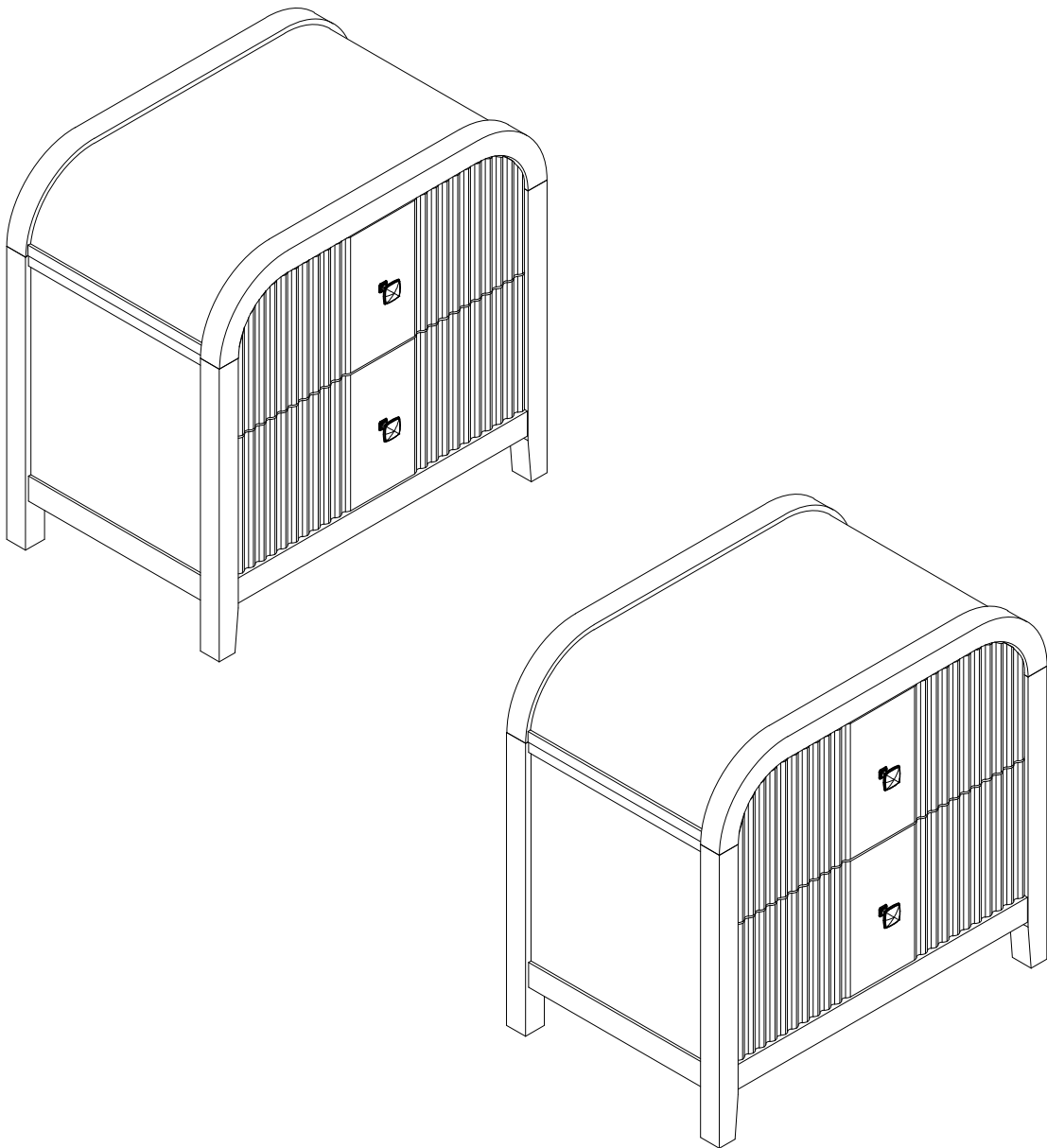


Wall mounting only

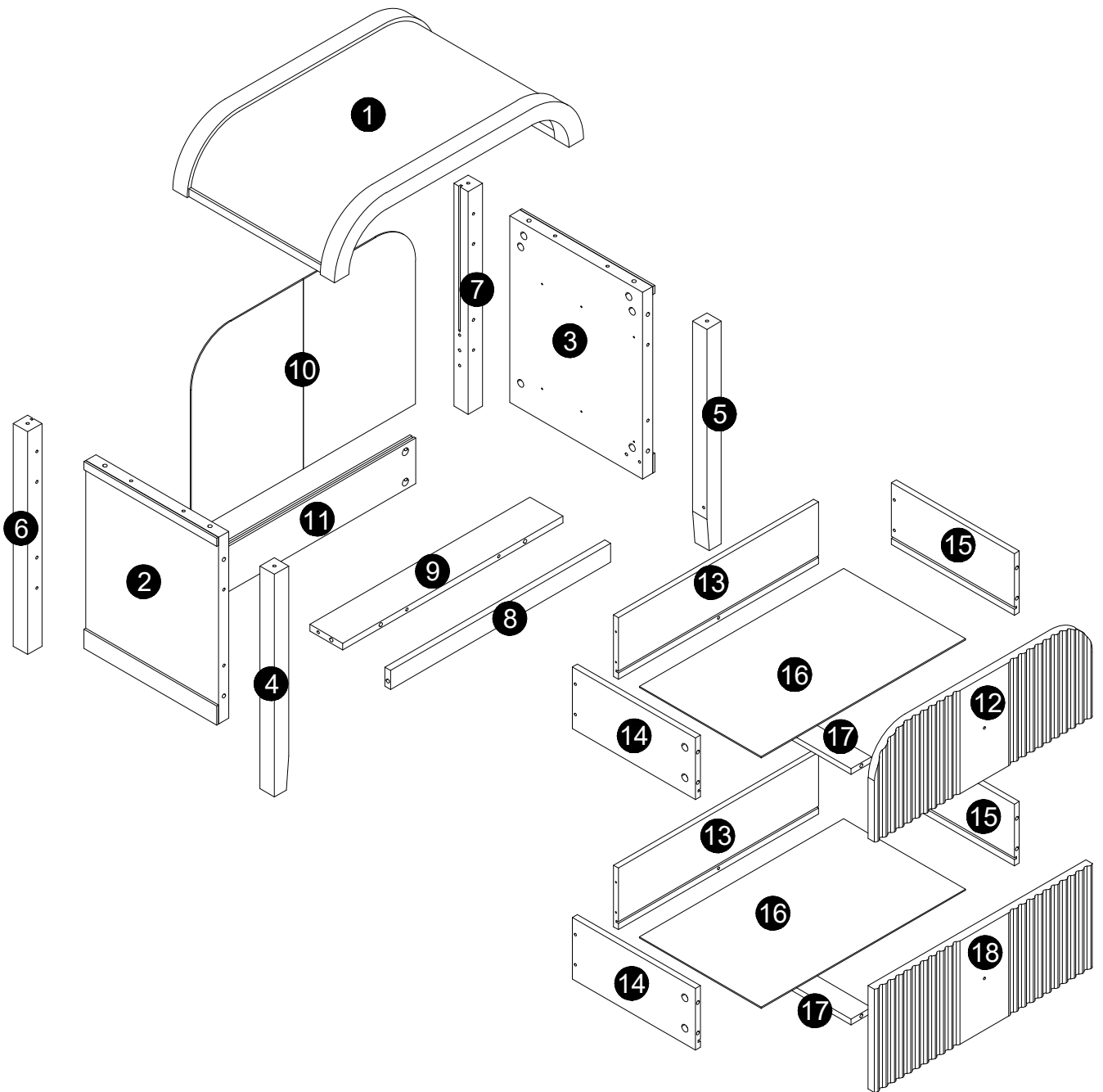
These tools are not required for product assembly.



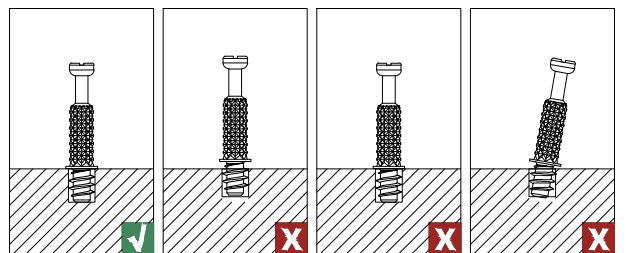
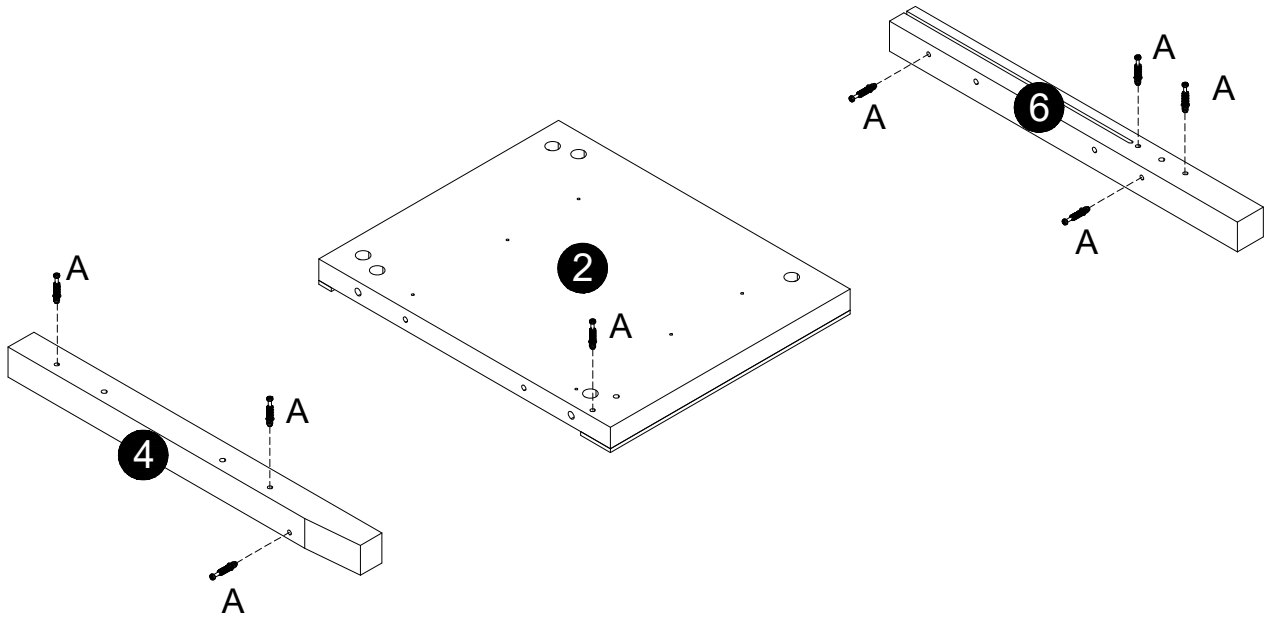
Multi-person installation



Note: Assembly steps are identical for both units included in this package.

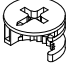



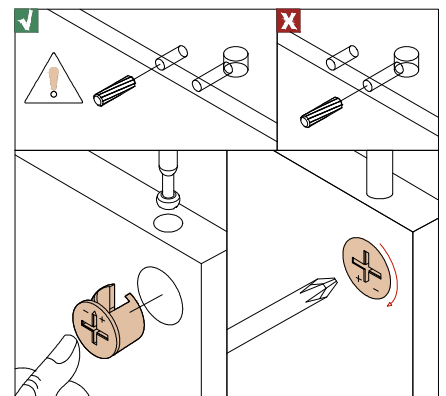
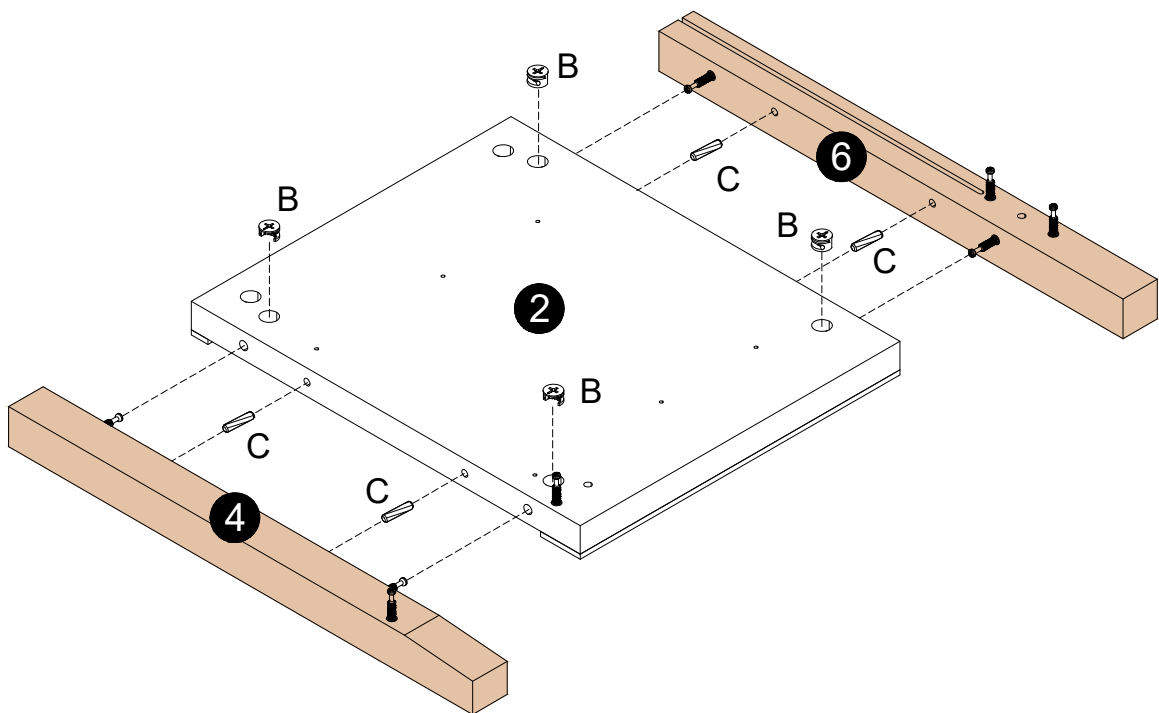
STEP 1




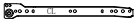
Install the screw correctly to secure the screw.

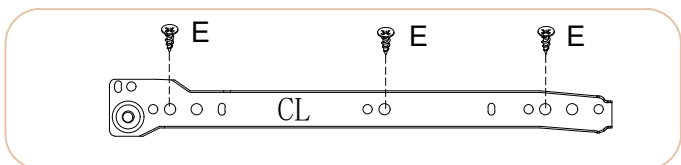
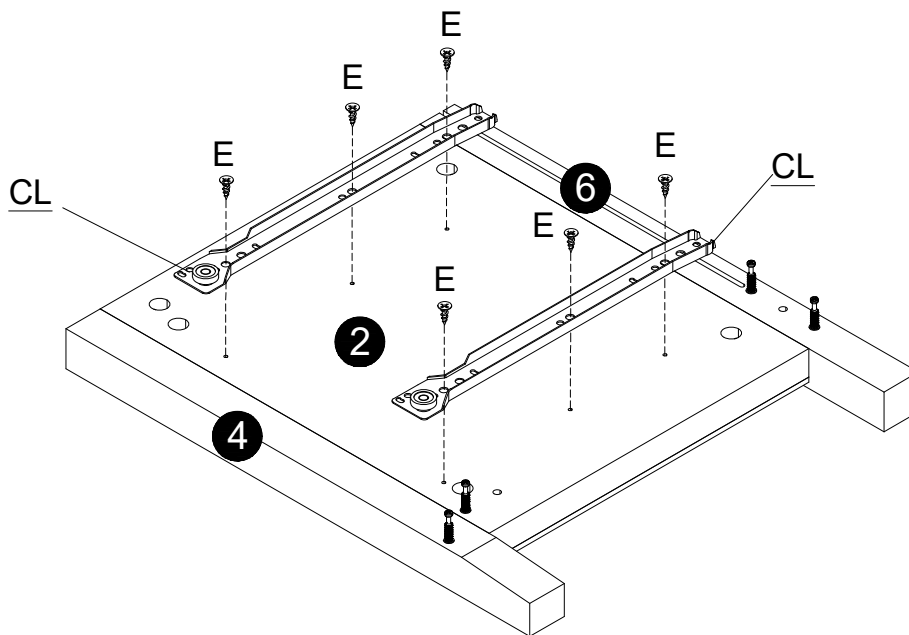
STEP 2


- 
B X4
- 
C X4

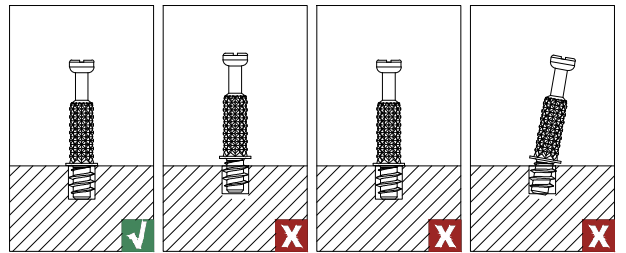
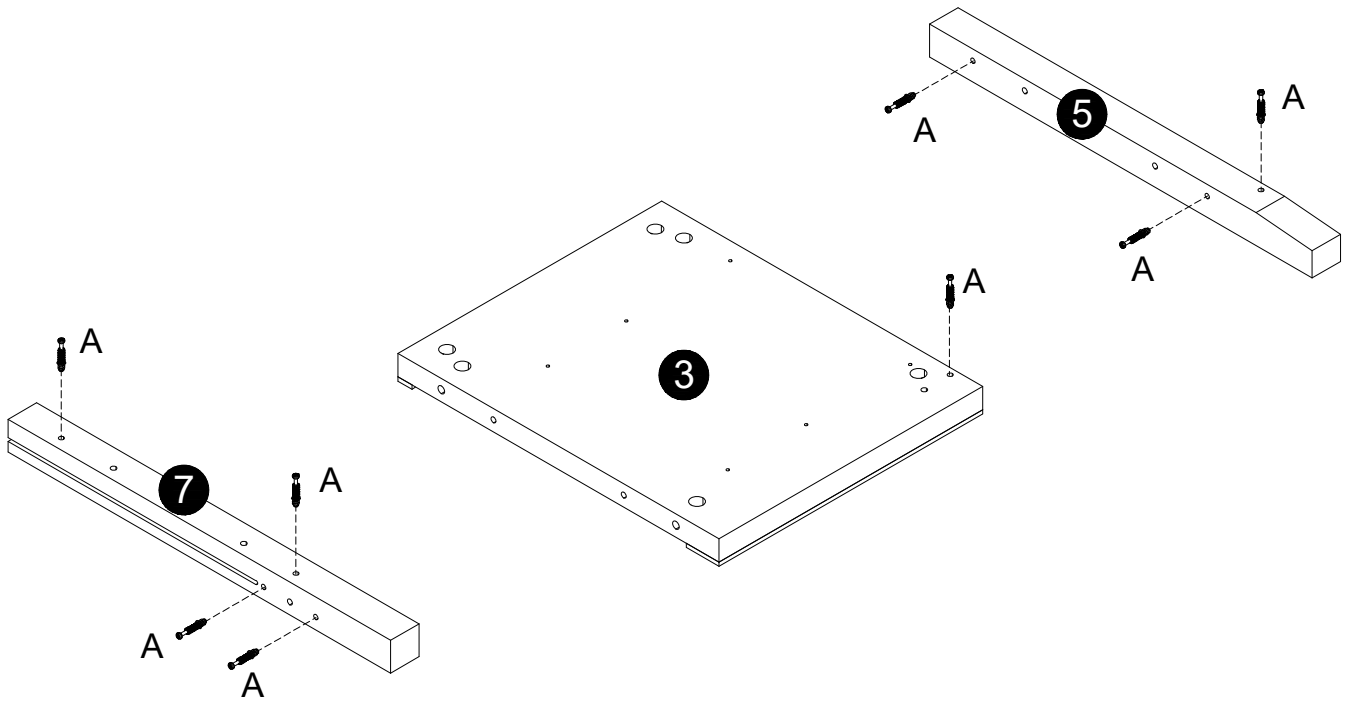


STEP 3

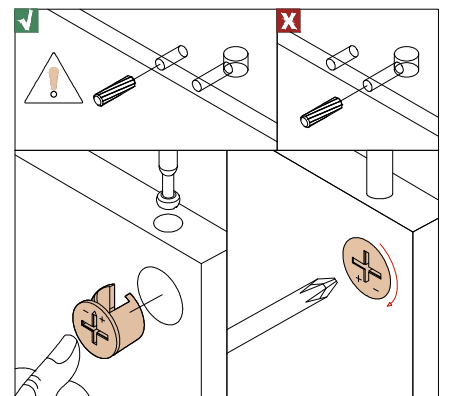
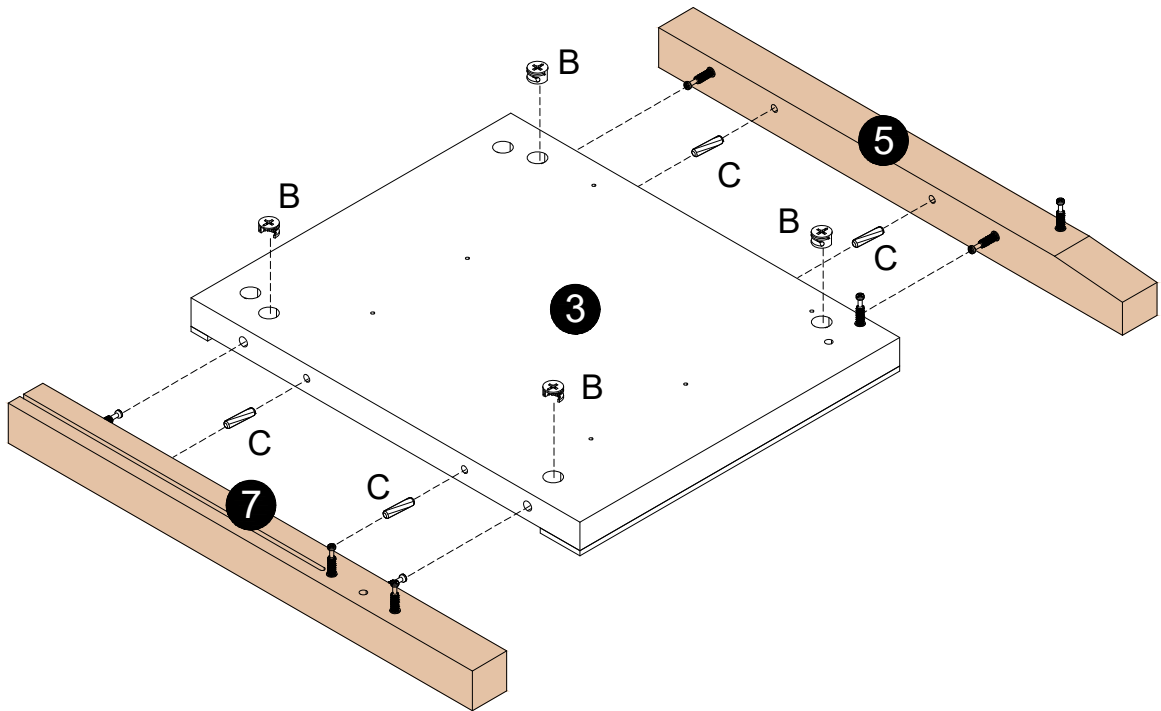
-  **E** X6
-  **CL** X2





 Pay attention to the position of the screws

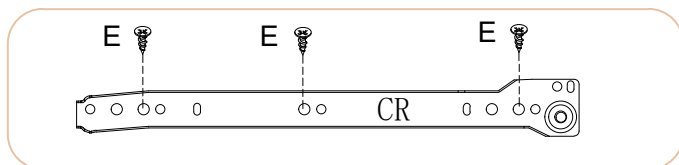
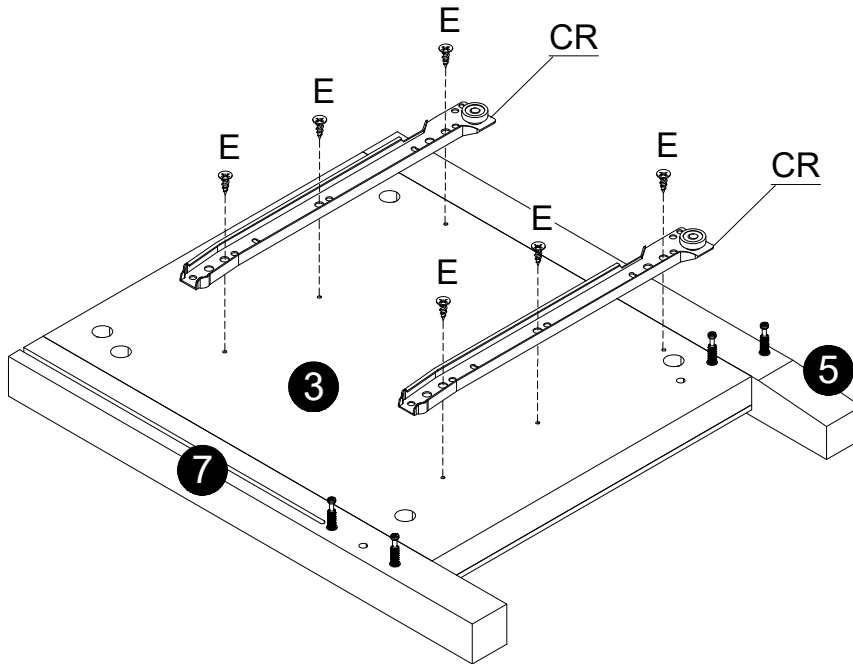
STEP 4 **A** X8


Install the screw
correctly to secure
the screw.

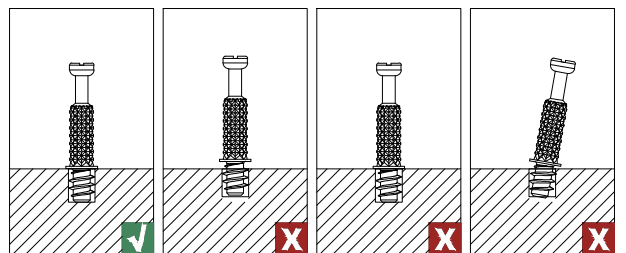
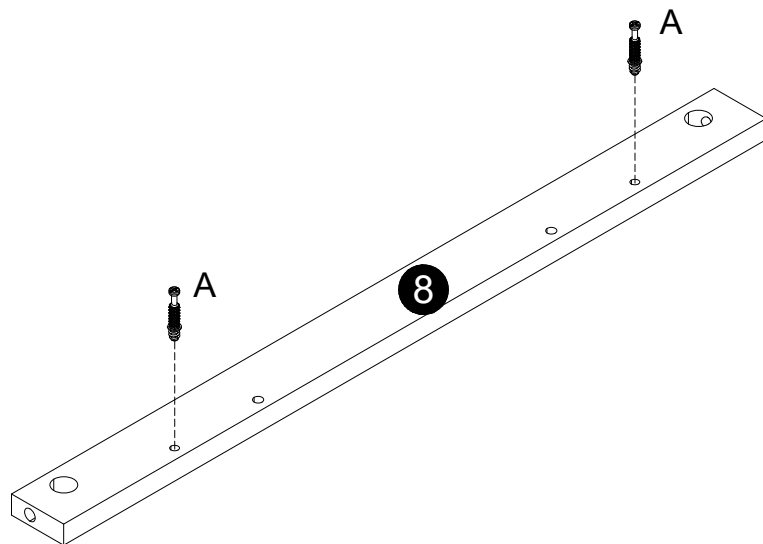
STEP 5**B** X4**C** X4

STEP 6

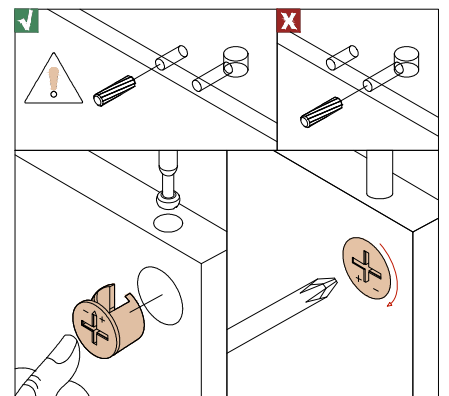
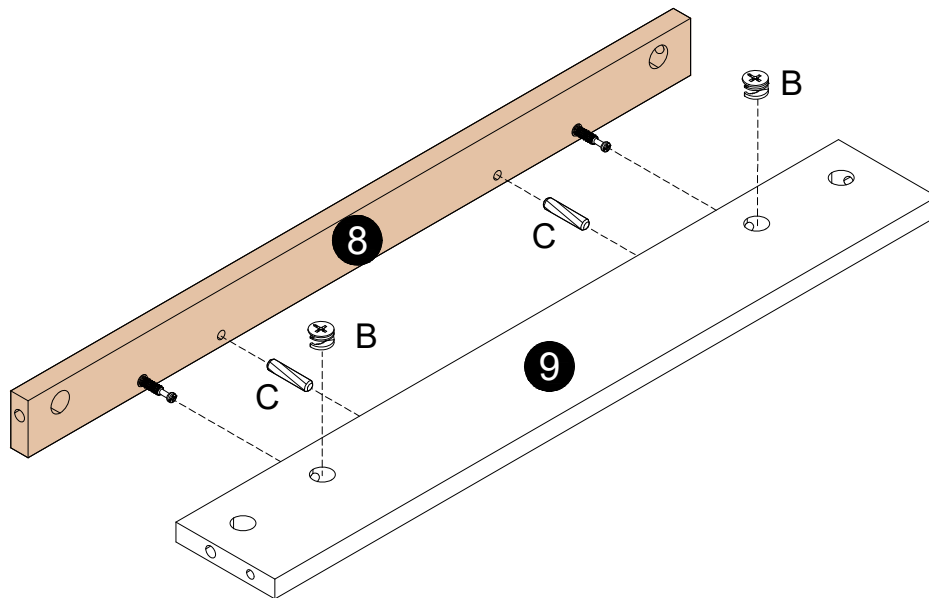
- 
E X6
- 
CR X2

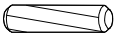
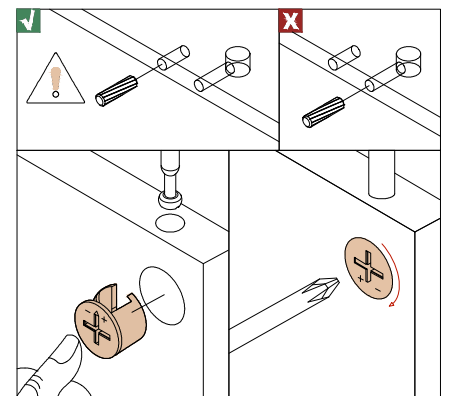
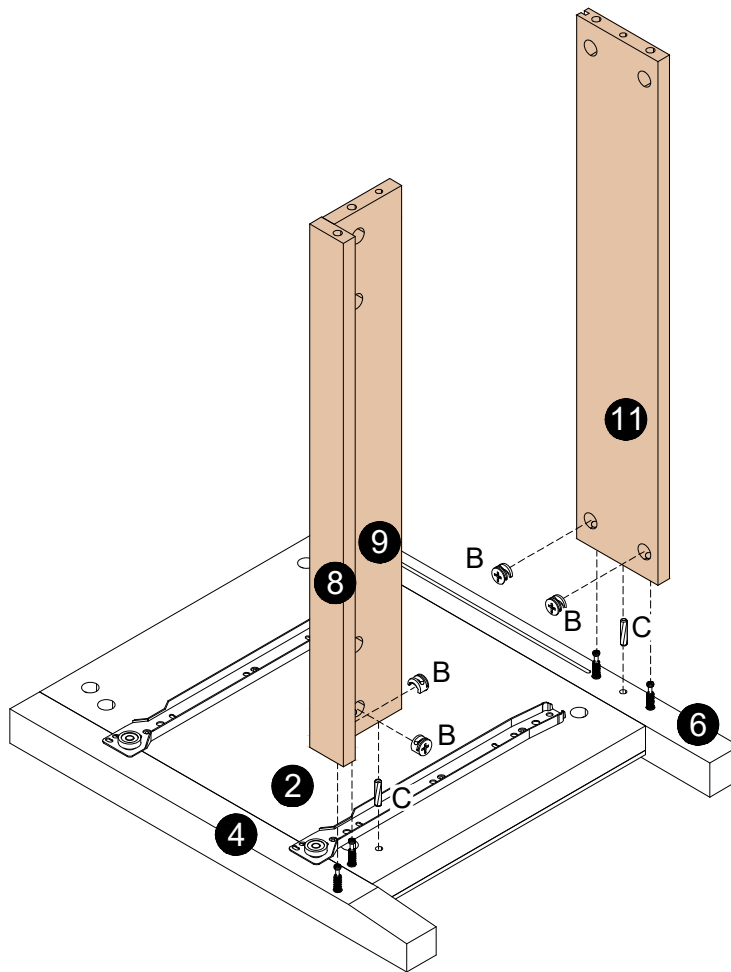


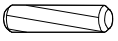
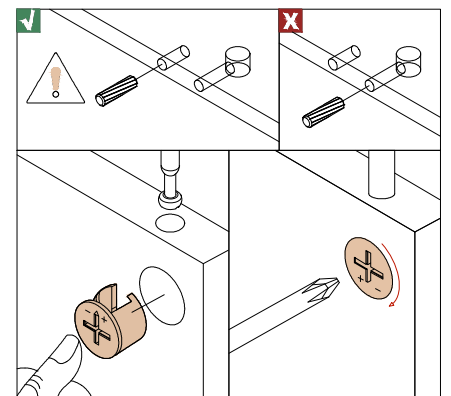
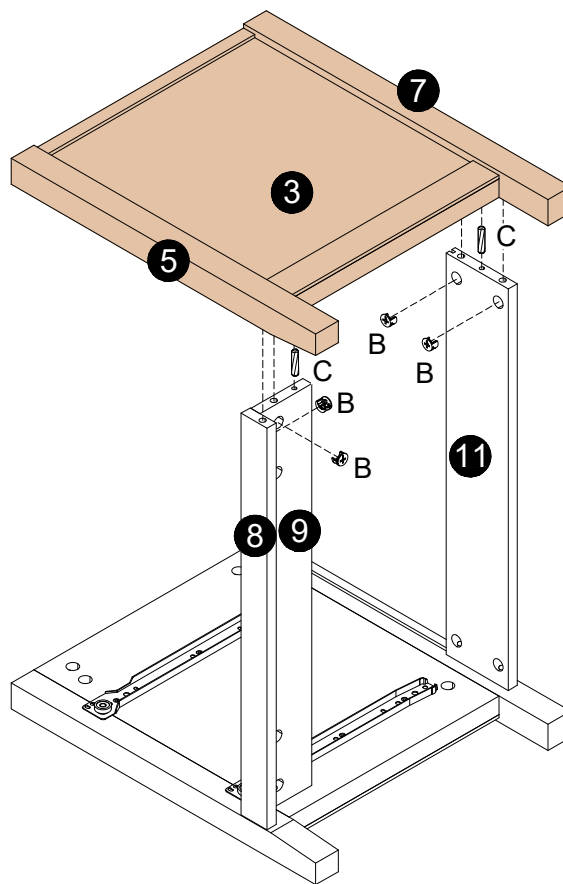
 Pay attention to the position of the screws

STEP 7

Install the screw correctly to secure the screw.

STEP 8**B** X2**C** X2

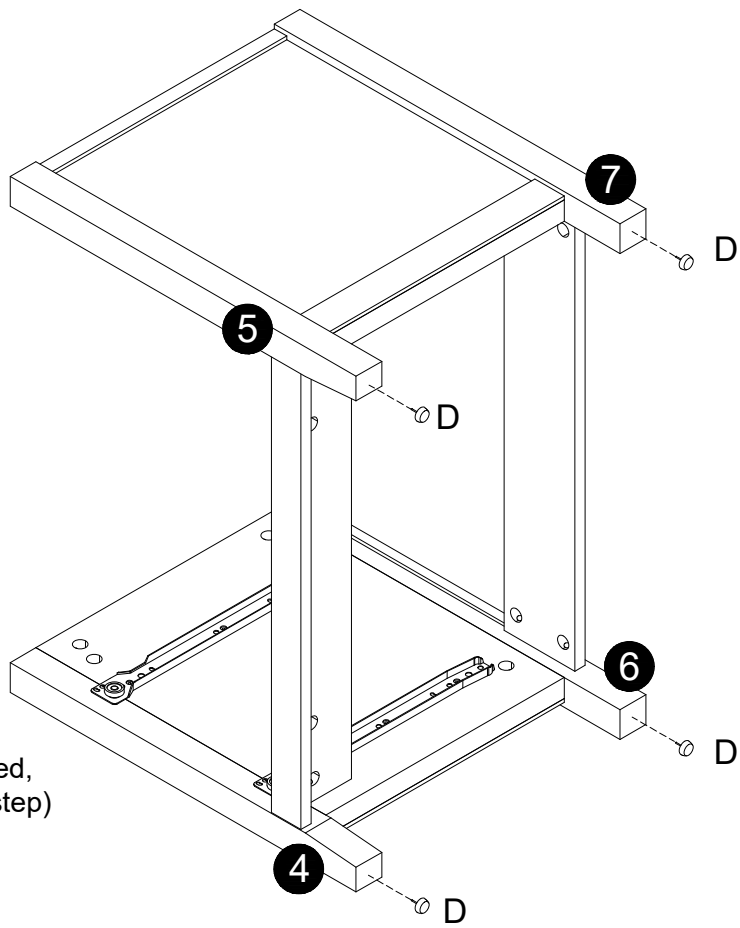
STEP 9**B** X4**C** X2

STEP 10**B** X4**C** X2

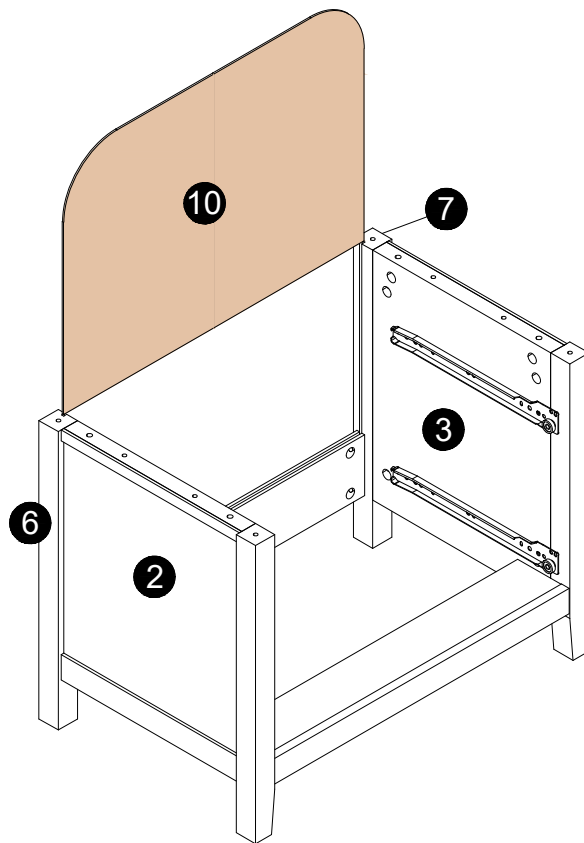
STEP 11

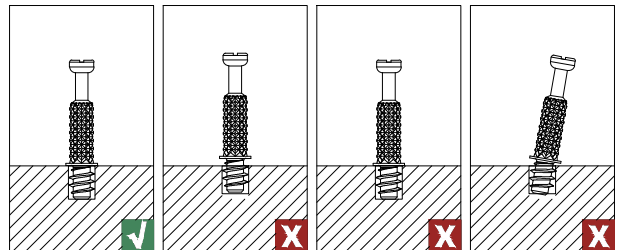
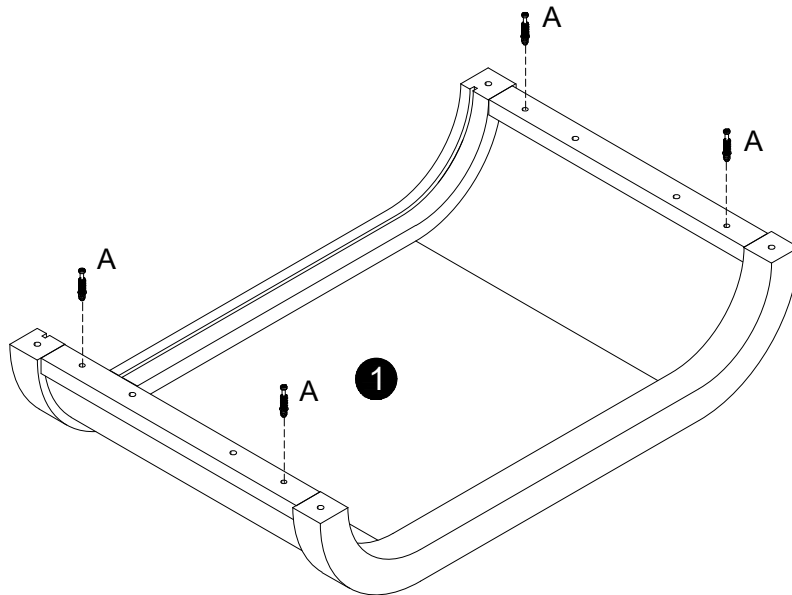


D X4



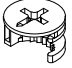
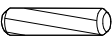
After this step is assembled,
flip it 90 degrees(to next step)

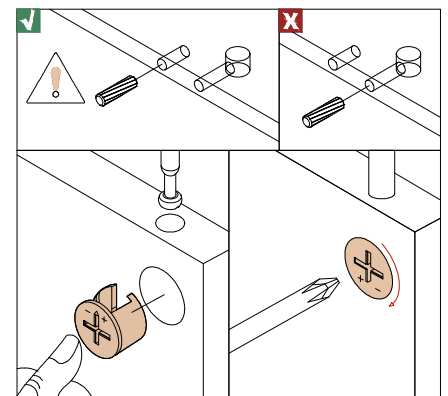
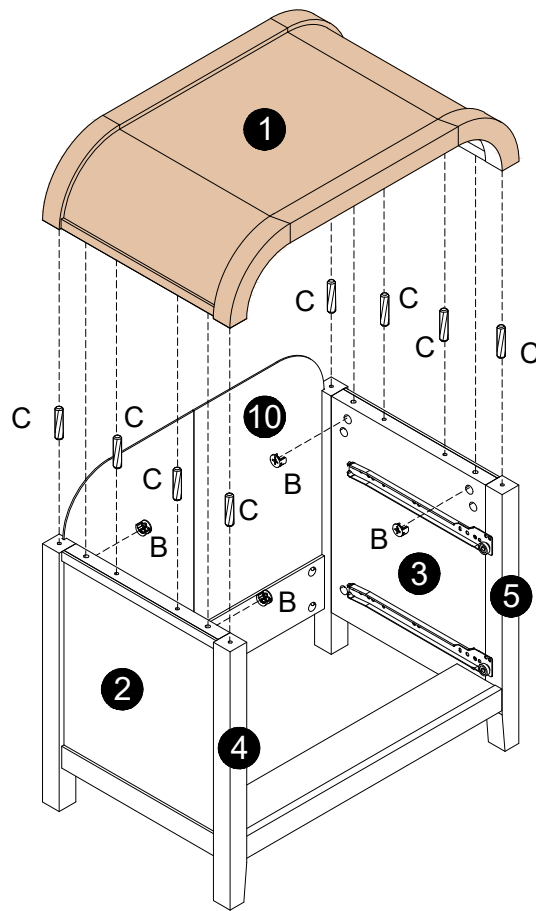
STEP 12

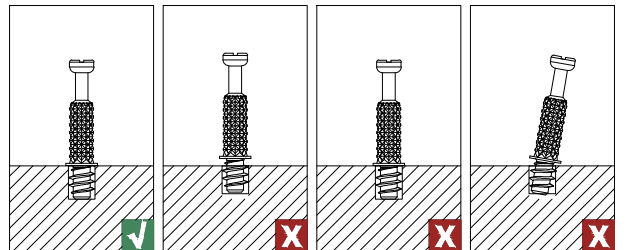
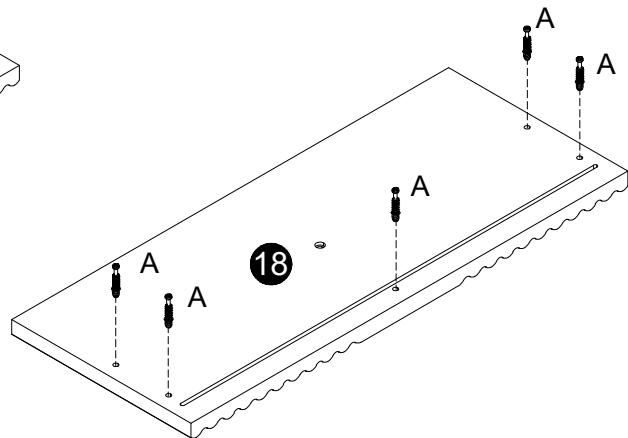
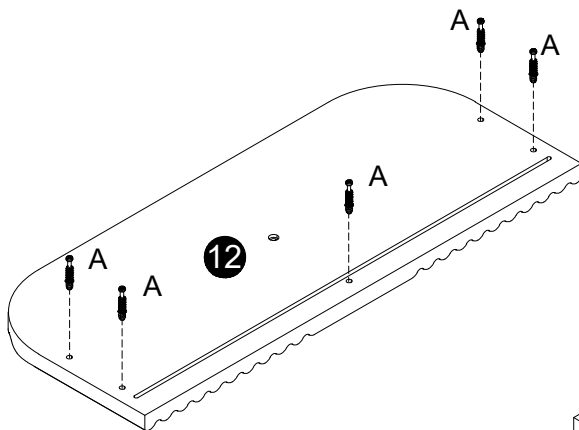
STEP 13

Install the screw correctly to secure the screw.

STEP 14

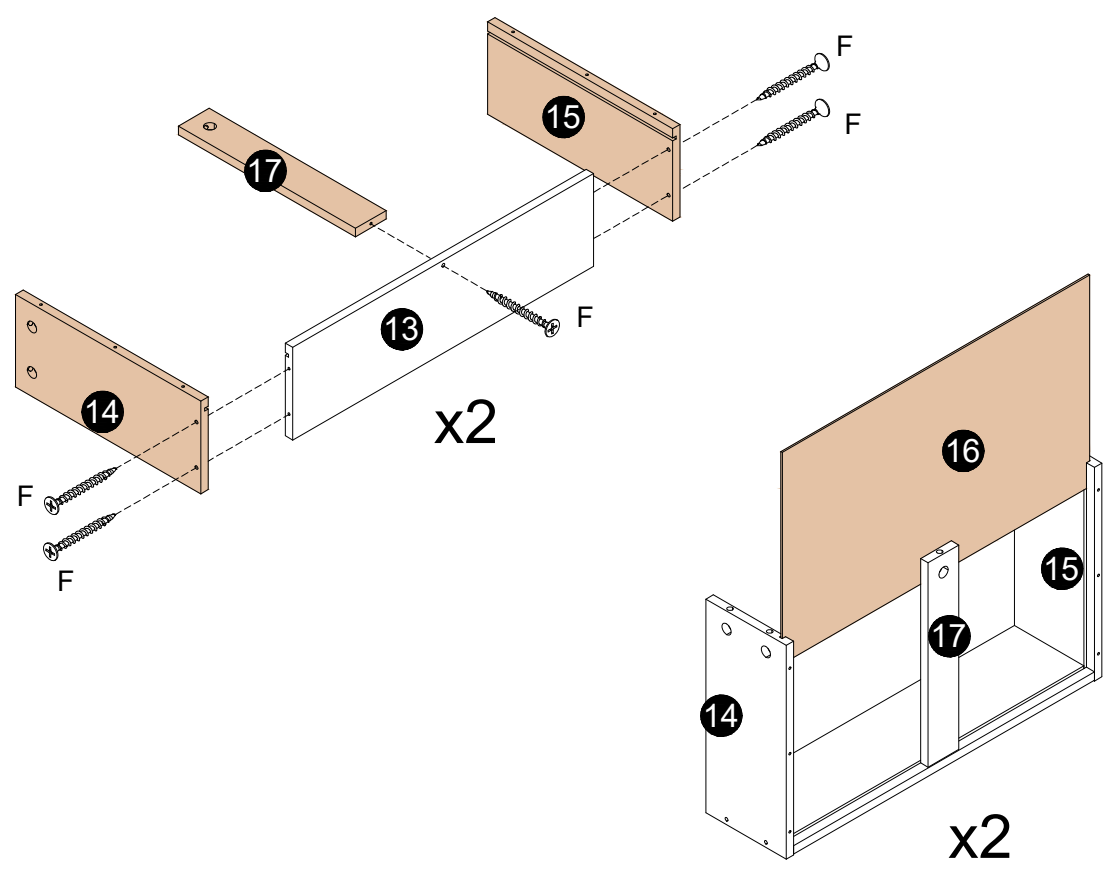
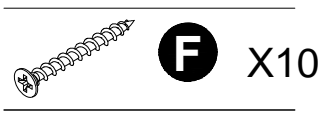
- 
B X4
- 
C X8

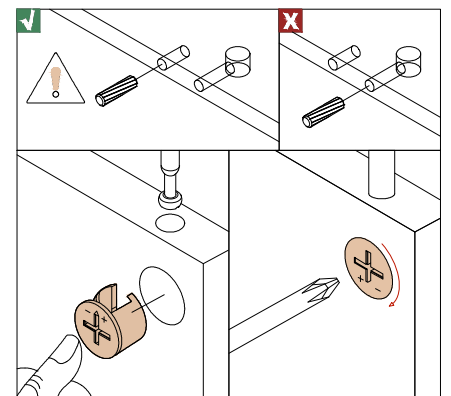
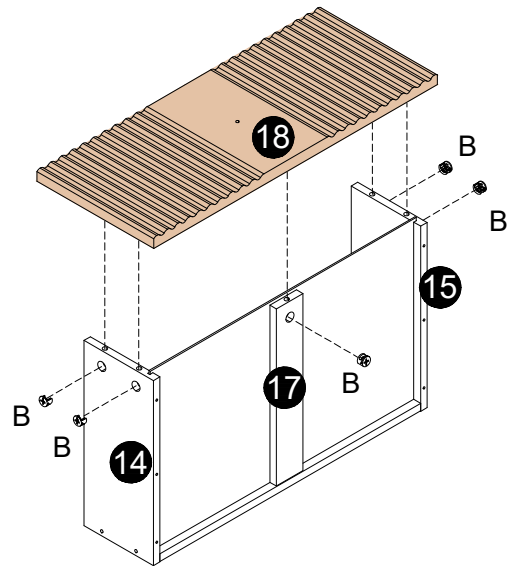
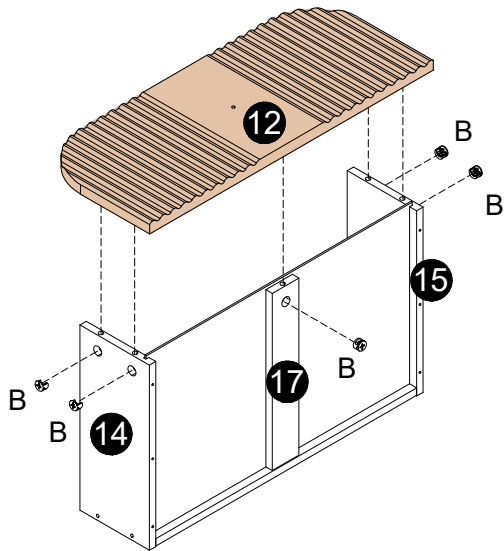


STEP 15


Install the screw
correctly to secure
the screw.

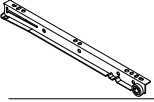
STEP 16

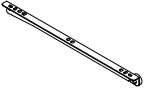


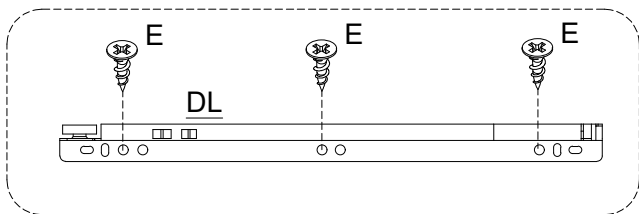
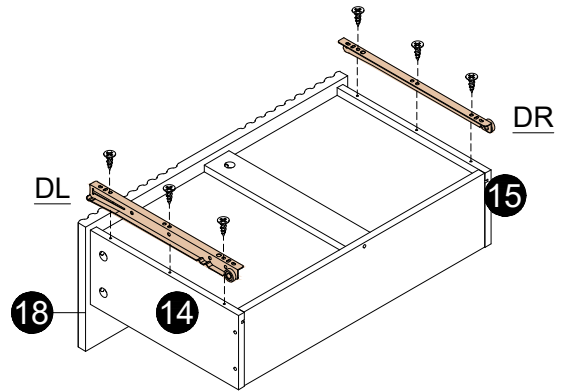
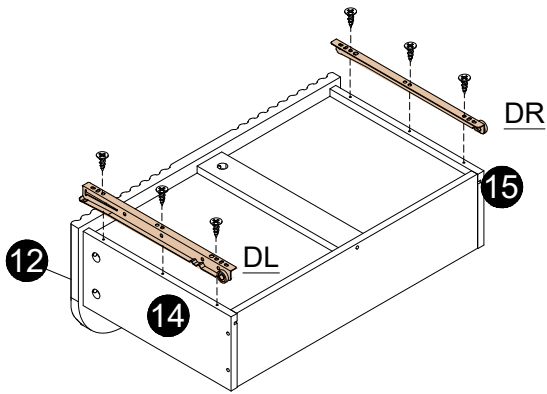
STEP 17**B** X10


STEP 18

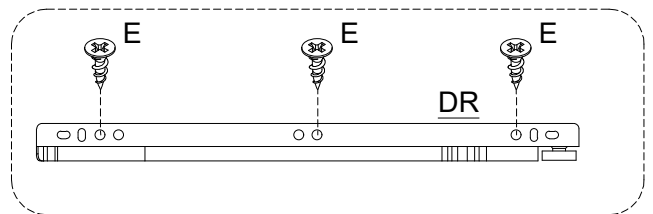
-  **E** X12


-  **DL** X2

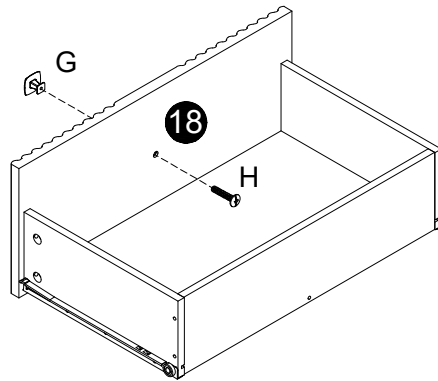
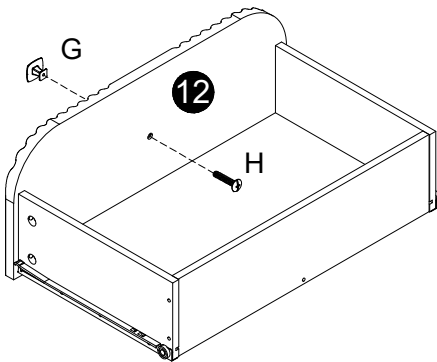
-  **DR** X2

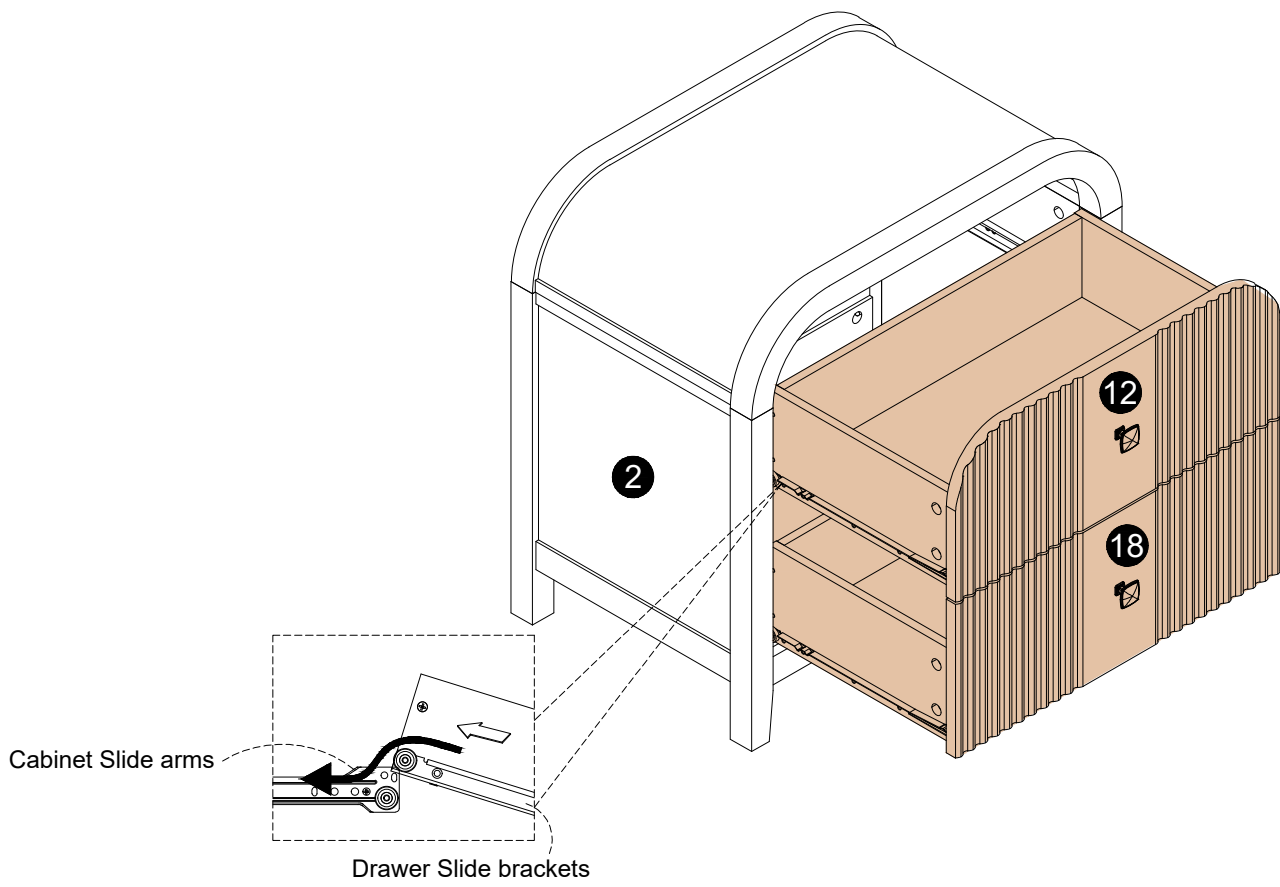


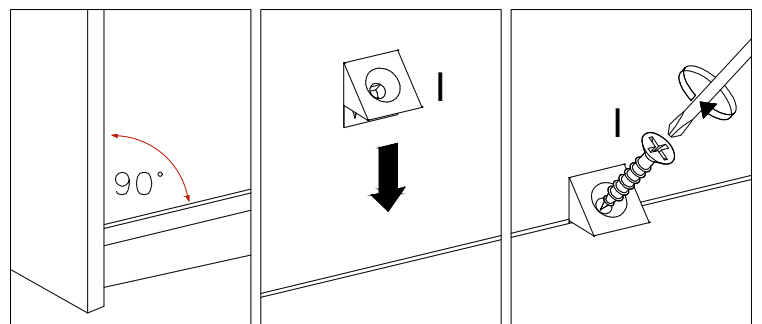
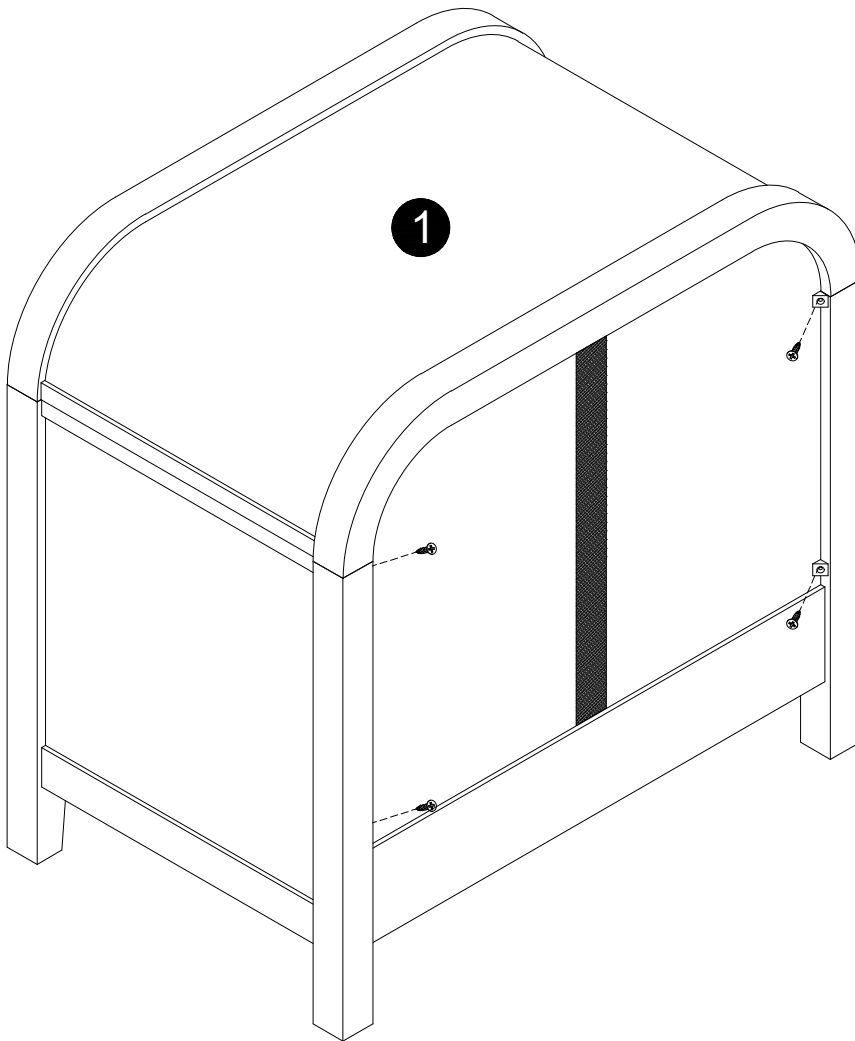
 Pay attention to the position of the screws

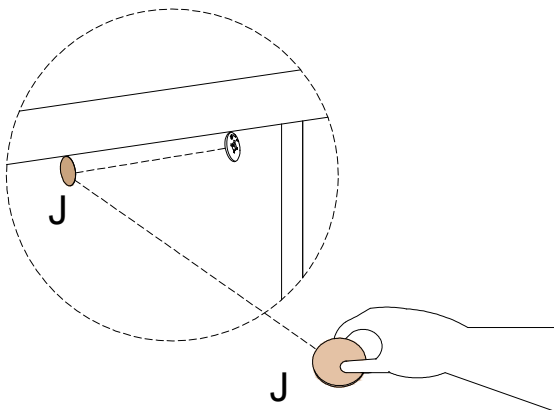
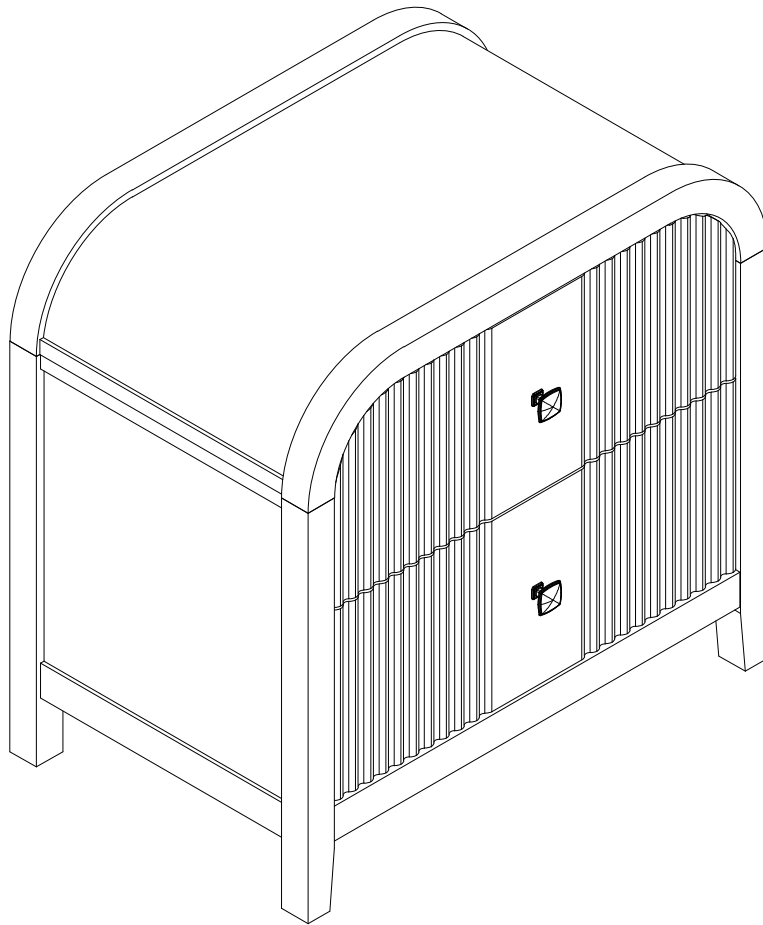


 Pay attention to the position of the screws

STEP 19**G** X2**H** X2

STEP 20

STEP 21 **1** X4

STEP 22**J** X32



After-Sales Service Hotline: (800) 661-5928