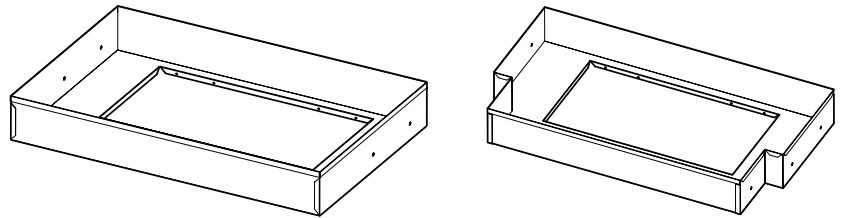


LB24, LB30, LB36, LT30 & LT36 LINERS



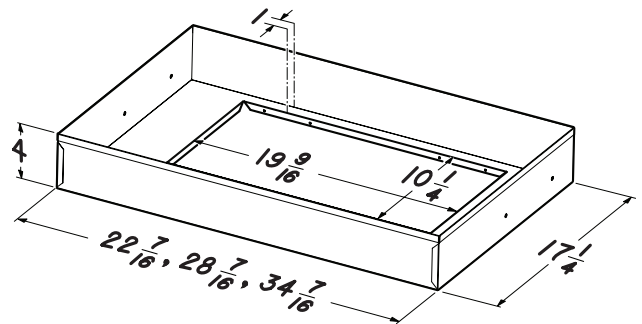
Especially designed to protect the exterior base of a custom hood. Fits PM250, PM390 & PM500 inserts.

FEATURES

- Cabinet mount – custom application
- 24 gauge CRS
- Painted silver finish
- Fits into cabinet openings as shown
- Fits custom hood nominal widths: 24", 30" & 36"
- Wipes clean easily
- Recommended for use with Models PM250, PM390 & PM500 Power Modules

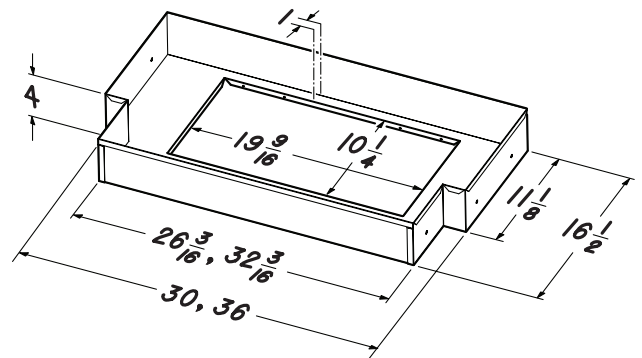
Models LB24, LB30 & LB36

The "B" or Box liner is designed to fit into 18" deep wood hood or cabinet bottoms.



Models LT30 & LT36

The "T" or liner is designed to work with wood hoods that are integrated to the adjacent 12" deep cabinets.



| | | | |
|--------------|--|----------------|----------------|
| Broan | 926 West State Street, Hartford, WI 53027 | 1 888 336-3948 | www.broan.com |
| NuTone | 4820 Red Bank Road, Cincinnati, OH 45227 | 1 800-543-8687 | www.nutone.com |
| Broan-Canada | 1140 Tristar Drive Mississauga, Ontario Canada L5T 1H9 | 1 888-882-7626 | www.broan.ca |

| REFERENCE | QTY. | REMARKS | Project |
|-----------|------|---------|--------------|
| | | | Location |
| | | | Architect |
| | | | Engineer |
| | | | Contractor |
| | | | Submitted by |
| | | | Date |