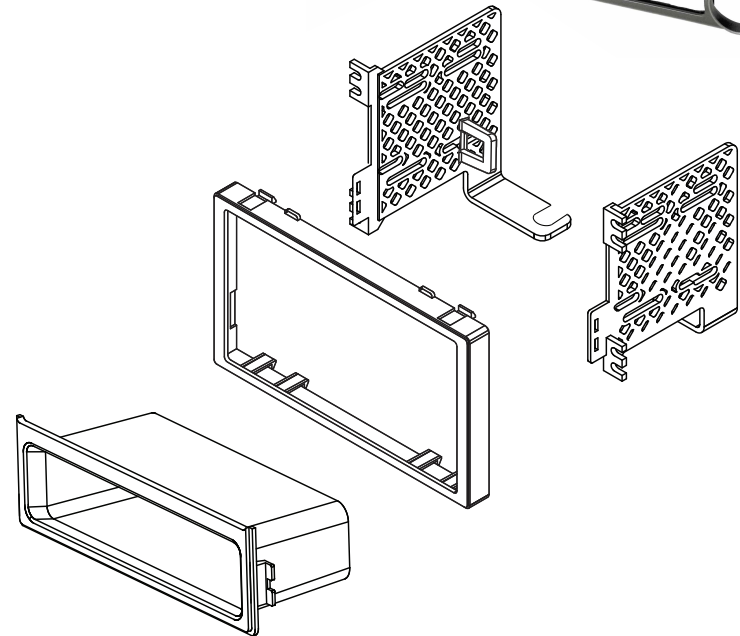




**American
International**
Car Stereo Installation Kits & Accessories



HONK838 Mounting Kit



www.aampglobal.com www.aius.net

2500 East Francis Street Ontario, CA 91761, U.S.A.

Sales: (800) 477-2267

Intl: (727) 572-9255

Support: 888-228-5560

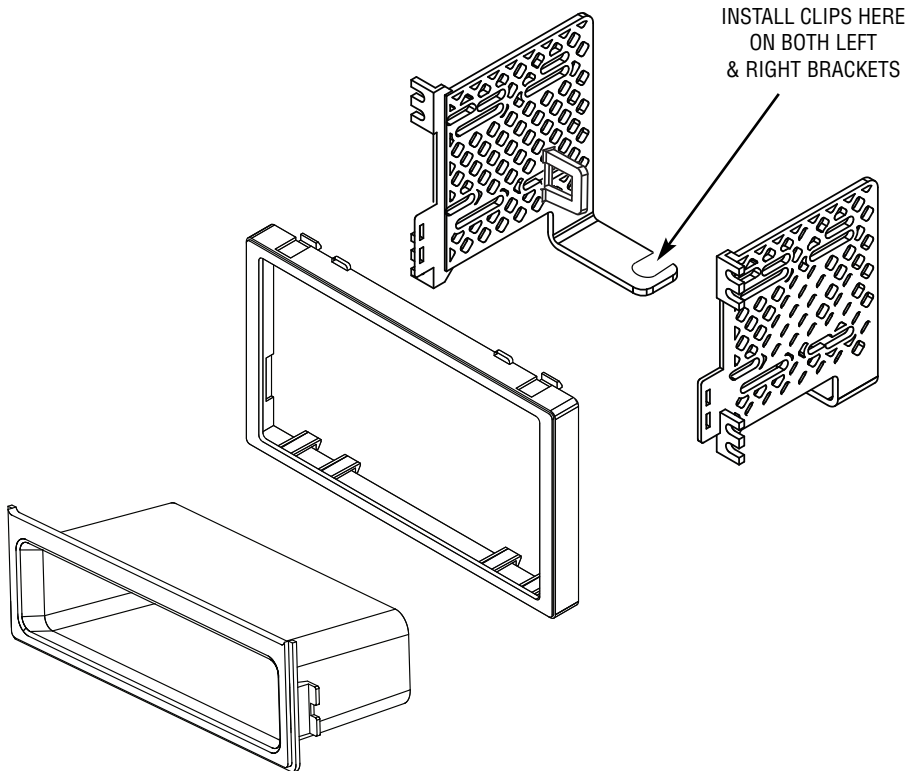
VEHICLE APPLICATIONS

Honda
2006-11 CIVIC

SINGLE ISO INSTALLATIONS

1. This kit is an (ISO) mounting kit only.
2. The mounting sleeve of your new radio and trim ring cannot be used when ISO mounting an aftermarket radio. Your radio must have a removable trim ring.
3. Insert pocket into lower section of kit from rear & lock into slots of mounting brackets.
4. Insert trim into the main frame.
5. Insert using 4 screws supplied mount the left and right mounting brackets to rear of main frame
6. Insert ISO mountable radio between ISO mount brackets and loosely attach to sides of radio using screws provided with radio when possible or screws supplied with kit.
7. Slide radio forward or backward for desired look and tighten screws.
8. Install clips provided with kit to lower bracket location. Once kit is installed use the 5/8 screws also provided with the kit to securely mount the brackets to the sub-dash.

Fig B



DOUBLE ISO INSTALLATIONS

1. Insert trim into main frame.
2. Insert using 4 screws supplied mount the brackets L&R into rear of the main frame.
3. Insert ISO mountable radio between ISO mount brackets and loosely attach to sides of radio using screws provided with radio when possible or hardware included with kit.
4. Slide radio component forward or backward for desired look and tighten screws.
5. Install clips provided with kit to lower bracket location. Once kit is installed use the 5/8 screws also provided with the kit to securely mount the brackets to the sub-dash.

Fig C

