



Quick Guide

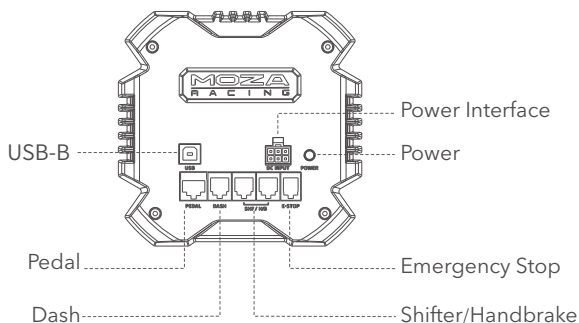


售后客服

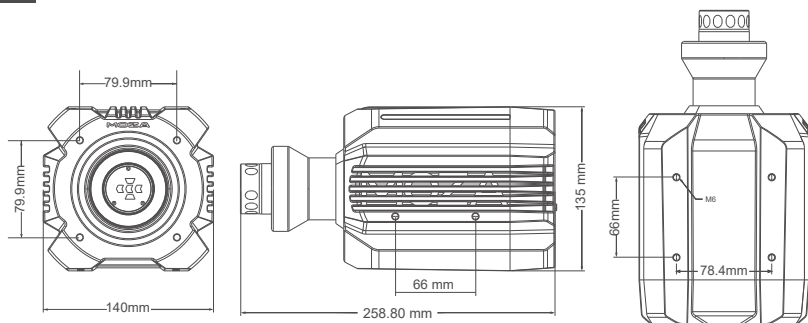
R25 Ultra True Torque DD Wheel Base



01 Introduction



02 Basic Parameters



03 Installation

1. Attach the wheel base to the simulator bracket through the 4 threaded holes on the bottom.
2. Connect the power cord and the TYPE-B end of the USB cable into the corresponding ports on the rear of the R1. Turn on the power supply and connect the TYPE-A end of the USB cable to the PC.
3. Short press the power button on the rear of the wheel base. (short press to turn on, long press to turn off).
4. Download and install the MOZA Pit House software from the help center of MOZA Racing's official website (WWW.MOZARACING.COM). Start your racing journey with the wheel base.
5. For more information and instructional videos, please visit the official website (MOZARACING.COM)

04 Software Introduction

1. On the main page, you can view the working status of each connected device, set the wheelbase, force feedback, pedals, steering wheels and digital dashes, etc., and you can quickly start the game.
2. With both click and go presets to fully customizable advanced tuning, everyone from beginners to pro drivers can easily find that perfect setup.
3. MOZA's FFB equalizer allows full customization and fine-tuning of the FFB effects spectrum for a perfect setup for all track conditions.
4. On the force feedback curve page, users can fine-tune how the actual force feedback output responds to the game's force feedback signals to match their personal preferences.
5. Users can customize the wheelbase's standby lighting and in-game telemetry effects on the Indicator Light Settings page.
6. One click updates the MOZA Racing ecosystem, enjoy the latest features with ease.

05 Precautions

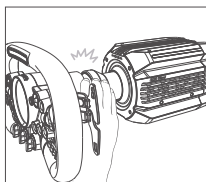
To ensure safe and proper use of this device, please follow these guidelines:

- Do not expose the device to liquids or humidity as it may cause fire or electric shock.
- Avoid using the device in direct sunlight.
- Keep the indoor temperature between 15°C ~ 35°C for optimal performance.
- For your safety and well-being, please monitor your gaming time and take breaks as needed.
- This device is not suitable for children under 12 years old due to small accessories that may pose a choking hazard. Children under 16 must be accompanied by their parents while using this device.
- Do not disassemble the equipment yourself as doing so will void your warranty.
- Connect only with factory-equipped power supply to ensure safe electricity usage and protect user rights and interests.
- Parts repair or replacement can only be carried out by officially authorized repair centers to maintain safety standards.
- The use of non-standard power supplies is prohibited even if the relevant voltage and other data match.
- Exposure of the equipment to heat sources is prohibited.
- Unplug the unit from the power cord and disconnect it if it is not to be used for a long period of time.
- If you observe any abnormalities, please stop using it immediately and seek assistance from MOZA officials or the authorized center relevant to your concern.
- Stay tuned to the MOZA website and public platform for the latest product information.
- This product has high force feedback strength and small parts. Children are prohibited from using it without adult guidance.
- Please keep the product away from loose clothing and easily entangled objects, such as hair,

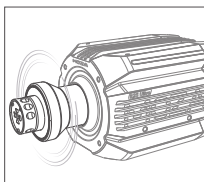
cables, or skirts.

- The MOZA R21/25 comes ready to use straight out of the box with the latest firmware already installed. For more information on software updates, please visit our website.
- The product images and content above are for demonstration purposes and may not precisely match the external design (including but not limited to appearance, color, size) and content display (including but not limited to background, UI, pictures) of the actual product. Please refer to the actual product for accurate information.
- The above test data are all from the MOZA test laboratory and may not reflect the actual performance factors due to usage conditions and environmental reasons.
- The information provided such as descriptions and images, is subject to change. MOZA may update the content to better reflect the performance and specifications of the actual product, ensuring more accurate information. Product availability may vary due to unforeseen issues during batch processing or delivery. In such cases, MOZA reserves the right to modify the descriptions and images as needed without prior notice. For the most up-to-date information, please refer to official channels.

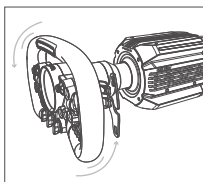
⚠ This product use is limited to activities related to simulated driving, please distinguish between simulated games and reality to ensure safe driving



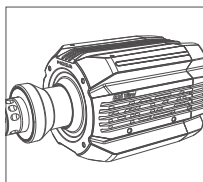
⚠ Keep Hands Clear



⚠ Do Not Touch During Operation



⚠ Caution: High Torque



⚠ Warning: Hot Surface

06 Packing List

- Base Unit
- Power Adapter
- Power Cord
- Data Cord
- Bolt Kit

07 Specification Table

Drive form: Direct Drive.

Body Material: Aluminum alloy.

Maximum Torque: 25 N·m.

Rated Power: 378W

Input voltage: 110V~220V AC→36V DC.

Mobile App function: supported.

Interface: structure, data, power supply, emergency stop, pedal, dash, shifter, handbrake

Accessories: power adapter, data cable, bolt kit, manual, and warranty card.

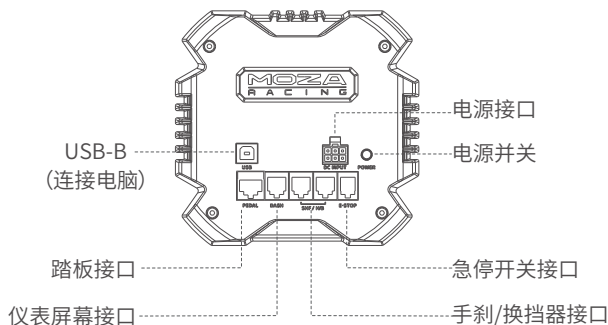
Mounting Options: Four mounting holes are available on the front, sides, and bottom. An optional bracket allows for angle adjustment as needed.

Emergency stop switch: optional.

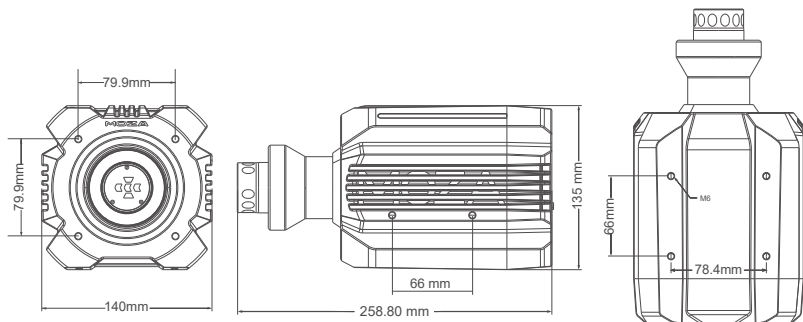
Size: 258.8*140*135mm

Weight: 9.1kg.

01 基座介绍



02 基本参数



03 安装教程

1. 基座拥有底部、侧面、前置安装孔, 可根据需求, 选择合适的安装方式将基座固定到模拟器支架上。
2. 将电源线, USB线TYPE-B端分别插入基座尾部对应接口上, 电源线另一端接入220V电源插口。USB线TYPE-B端接基座, TYPE-A端接入PC。
3. 短按基座尾部的电源按钮(短按开机, 长按关机)。
4. 在MOZA Racing官网 (WWW.MOZARACING.COM)的帮助中心下载MOZA Pit House软件并安装, 即可开启您的赛车之旅。
5. 更多信息和教学视频请登录官网 (MOZARACING.COM) 进行查阅

04 软件介绍

1. 主页面查看已连接的各设备工作状态, 设置基座转角, 力反馈, 踏板, 方向盘与仪表等, 同时可以快捷启动游戏
2. 力反馈的基础设置帮助入门玩家快速匹配合适的手感; 专业设置让高阶玩家调出惊喜的专属力反馈效果
3. 路感均衡器页面, 用户可以根据喜好与不同场地环境调节方向盘的路感反馈
4. 在力反馈曲线页面, 用户可以根据喜好调节实际力反馈输出与游戏力反馈信号的关系
5. 在指示灯设置页面, 可以根据喜好设置基座待机灯效和游戏遥测灯效
6. 在固件升级页面, 可以一键完成 MOZA Racing 生态系统固件升级, 轻松享受最新的功能体验

*详细软件使用说明, 请访问MOZA官网(MOZARACING.COM)帮助中心页面下载详细说明书

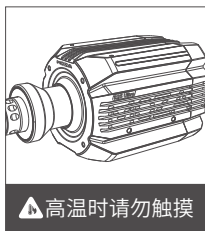
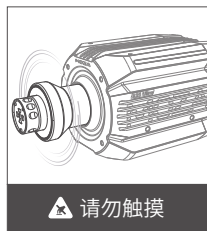
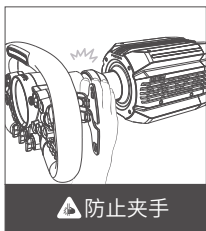
05 注意事项

- 严禁将设备暴露在雨水以及潮湿的环境中, 以避免发生火灾/电击
- 严禁在太阳直射的条件下使用设备
- 建议室内温度:15°C ~ 35°C
- 为了您的健康, 请合理控制游戏时间
- 设备不适用于12岁以下儿童, 小配件可能造成窒息的危险!
- 16岁以下孩童需在家长陪同下使用
- 严禁自行拆解设备, 否则将失去质保资格
- 设备必须使用配套出厂的电源进行连接, 以保障用电安全及用户权益得到保障
- 为保障相关安全, 零部件维修或者更换只能由官方授权维修中心进行
- 即使相关电压等数据匹配, 亦禁止使用非标准电源
- 只能使用标准壁式电源插座提供的交流电源以避免对产品造成损坏
- 禁止将设备暴露在热源中
- 长期不使用的情况下, 请拔出设备电源线断电
- 如发现有任何异常, 请立即停止使用并寻求 MOZA 官方或相关授权中心的帮助
- 请关注 MOZA 官网及公众平台以了解最新的相关产品信息
- 本产品力反馈强度高, 零件小。儿童在没有父母指导的情况下禁止使用
- 应远离宽松的衣物和容易缠绕的物体, 比如头发、电缆、裙子等
- 开箱后即可使用。固件在出厂时会更新到最新版本。更多关于软件更新的信息, 请访问 MOZA网站
- 以上产品图片及内容仅供演示之用。实际产品的外部设计可能略有不同(包括但不限于外观、颜色、大小)和内容显示(包括但不限于背景、UI、图片)。请检查实际产品供参考。
- 以上测试数据均来自MOZA测试实验室, 由于使用条件和环境原因, 可能无法反映实际性

能的因素

- 以上内容,如描述、图片等,可能会有更改。MOZA可能会根据实际产品的性能和规格来调整相关内容,以提供更准确的产品信息。由于在批量处理或交付过程中出现不可预见的问题,产品供应可能会发生波动。在这种情况下,MOZA可能会改变相关说明和图片,如有需要恕不另行通知,请通过官方渠道了解相关信息

本产品仅限于模拟驾驶相关活动,请区别模拟游戏与现实,安全驾驶。



06 包装清单

- 基座主机
- 电源适配器
- 电源线
- 数据线
- 螺丝工具包

07 规格表

驱动形式: 直驱

外壳材料: 铝合金

最大扭矩: 25牛米

额定功率: 378W

输入电压: 110V~220V AC→36V DC

手机App功能: 支持

接口: 数据、电源、急停开关、踏板、仪表屏幕、换挡器、手刹

配件: 电源适配器、数据线、螺丝包、说明书和保修卡

固定方式: 前面、侧面和底部各4个安装孔,可选配专用支架调节角度

急停开关: 选配

尺寸: 258.8*140*135mm

重量: 9.1kg

产品保修卡

产品型号		购买日期	
用户姓名		用户电话	
产品条码		通讯地址	

经销商信息(签章)

产品保修条例

保修期

自购机日起,基座主体,方向盘,踏板和仪表显示屏保修12个月。设备外壳、说明书、线材、螺丝、扳手、包装等不在"一年免费保修服务"范围内,但您可以选择有偿服务。

购买者在以下条件下不享受免费保修服务,但您可以选择有偿服务。

1. 超过三包有效期的；
2. 无三包凭证及有效发票的,但能够证明该产品在三包有效期内的除外；
3. 保修凭证上的型号与修理产品型号不符或者涂改的；
4. 非本公司特约维修人员拆动造成损坏的；
5. 因不可抗力造成损坏的；
6. 未按产品使用说明书要求使用、维护、保养而造成损坏的。

保修期限鉴于产品部位、不同国家法律法规等差异,将有所不同。相关国家与区域的保修期限,请咨询MOZA官方或购买时联系的MOZA授权经销商。



Manufacturer: Shenzhen Gudsen Technology Co., Ltd
Address: Room 1903-1904, Building 3, Nanshan
ZhiyuanChongwen Park, No. 3370 Liuxian Avenue,
Nanshan District, Shenzhen China
Web: www.mozaracing.com
E-mail: info@mozaracing.com
Made in China

EU Representative: Gudsen Technology EU GmbH
Address: Birkenstrasse 23, 40233 Düsseldorf
Email: support@gudsen.com

UK Representative: Gudsen Technology UK Limited
Address: Tc-Abo, Luminous House, 300 South Row
Milton Keynes, MK9 2FR, United Kingdom
Email: support@gudsen.com