



Meet delights for your home here



Home of Delights

USA office: Fontana

AUS office: Truganina

FRA office: Saint Vigor d'Ymonville

GBR office: FDS Corporation Limited, Unit 4, Blackacre Road, Great Blakenham, Ipswich, Ip6 0FL, United Kingdom

If you're having difficulty, our friendly customer team is always here to help.



USA:cs.us@costway.com
AUS:cs.au@costway.com
GBR:cs.uk@costway.com
FRA:cs.fr@costway.com

Portable Air Conditioner
Climatiseur Portatif

FP10585US-WH

THIS INSTRUCTION BOOKLET CONTAINS **IMPORTANT** SAFETY INFORMATION.
PLEASE READ AND KEEP FOR FUTURE REFERENCE.

EN



Before You Start

- ⚠ Please read all instructions carefully.
- ⚠ Retain instructions for future reference.
- ⚠ Separate and count all parts and hardware.
- ⚠ Read through each step carefully and follow the proper order.
- ⚠ We recommend that, where possible, all items are assembled near to the area in which they will be placed in use, to avoid moving the product unnecessarily once assembled.
- ⚠ Always place the product on a flat, steady and stable surface.
- ⚠ Keep all small parts and packaging materials for this product away from babies and children as they potentially pose a serious choking hazard.

FR



Avant de Commencer

- ⚠ Veuillez lire attentivement toutes les instructions.
- ⚠ Conservez les instructions pour vous y référer ultérieurement.
- ⚠ Vérifiez toutes les pièces et les accessoires.
- ⚠ Lisez attentivement chaque étape et suivez l'ordre correct.
- ⚠ Nous recommandons que, dans la mesure du possible, tous les produits soient assemblés à proximité de la zone où ils seront utilisés, afin d'éviter tout déplacement inutile du produit une fois assemblé.
- ⚠ Placez toujours le produit sur une surface plane et stable.
- ⚠ Conservez toutes les petites pièces de ce produit et les matériaux d'emballage hors de portée des bébés et des enfants, car ils pourraient présenter un risque d'étouffement.

EN

Introduction

Thank you for choosing this mobile air conditioner to provide you and your family with all of the “Home Comfort” requirements for your home, cottage or office. The appliance can be moved from room to room within your home and set-up in just minutes.

It is a multi-functional room air exchanging, air-processing appliance, designed to offer you the functions of: Air Conditioning, Dehumidifying, Independent Fan and Heating. The external static pressure at which the appliance was tested is 0 Mpa.

This manual will provide you with valuable information necessary for the proper care and maintenance.

For your new appliance. Please take a few moments and read the instructions thoroughly. If properly maintained, your appliance will give you many years of trouble free operation.

Electrical Specifications

1. All wiring must comply with local and national electrical codes and be installed by a qualified electrician.
If you have any questions regarding the following instructions, contact a qualified electrician.
2. Check available power supply and resolve any wiring problems before installation and operation of this unit.
3. For your safety and protection, this unit is grounded through the power cord plug when plugged into a matching wall outlet. If you are not sure whether the wall outlets in your home are properly grounded, please consult a electrician. If supply cord is damaged, it must be replaced by qualified persons in order to avoid a hazard.

IMPORTANT SAFETY INSTRUCTIONS

WARNING

To reduce the risk of fire, electrical shock or injury when using your air conditioner, follow these basic precautions:

1. Plug into a grounded 3 prong outlet.
2. Do not remove ground prong.
3. Do not use an adapter.
4. Do not use an extension cord.
5. Unplug air conditioner before servicing.
6. Use two or more people to move and install air conditioner.
7. This appliance can be used by children aged from 8 years and above and persons with reduced physical, sensory or mental capabilities or lack of experience and knowledge if they have been given supervision or instruction, concerning use of the appliance in a safe way and understand the hazards involved.
8. Children shall not play with the appliance. Cleaning and user maintenance shall not be made by children without supervision.
9. If the supply cord is damaged, it must be replaced by qualified persons in order to avoid a hazard.
10. The appliance shall be installed in accordance with national wiring regulations
11. This appliance is not intended for use by persons(including children)with reduced physical, sensory or mental capabilities, or lack of experience and knowledge, unless they have been given



supervision or instruction concerning use of the appliance by a person responsible for their safety. Young children should be supervised to ensure that they do not play with the appliance.

12. Do not use means to accelerate the defrosting process or to clean, other than those recommended by the manufacturer.

The appliance shall be stored in a room without continuously operating ignition sources for example: open flames, an operating. Gas appliance or an operating electric heater.

Be aware that refrigerants.

May not contain an odour.

Do not pierce or burn.

13. When the machine malfunctions, do not repair it yourself. Please contact a professional organization or a professional trained maintenance personnel or a service organization recommended by the supplier for repair!

- the maximum refrigerant charge amount: 190 g/6.7 oz.

14. Do not use means to accelerate the defrosting process or to clean, other than those recommended by the manufacturer.

15. The appliance shall be stored in a room without continuously operating ignition sources (for example: open flames, an operating gas appliance or an operating electric heater.)

16. Do not pierce or burn.

17. Be aware that refrigerants may not contain an odour.

Safety Instructions during Servicing

1. The manual shall contain specific information about the required qualification of the working personnel for maintenance, service and repair operations. Every working procedure that affects safety means shall only be carried out by competent persons
2. Prior to beginning work on systems containing FLAMMABLE REFRIGERANTS, safety checks are necessary to ensure that the risk of ignition is minimized.
3. Work shall be undertaken under a controlled procedure so as to minimize the risk of a flammable gas or vapour being present while the work is being performed.
4. All maintenance staff and others working in the local area shall be instructed on the nature of work being carried out. Work in confined spaces shall be avoided.
5. The area shall be checked with an appropriate refrigerant detector prior to and during work, to ensure the technician is aware of potentially toxic or flammable atmospheres. Ensure that the leak detection equipment being used is suitable for use with all applicable refrigerants, i.e. non sparking, adequately sealed or intrinsically safe.
6. If any hot work is to be conducted on the refrigerating equipment or any associated parts, appropriate fire extinguishing equipment shall be available to hand. Have a dry powder or CO₂ fire extinguisher adjacent to the charging area.

7. No person carrying out work in relation to a REFRIGERATING SYSTEM which involves exposing any pipe work shall use any sources of ignition in such a manner that it may lead to the risk of fire or explosion. All possible ignition sources, including cigarette smoking, should be kept sufficiently far away from the site of installation, repairing, removing and disposal, during which refrigerant can possibly be released to the surrounding space. Prior to work taking place, the area around the equipment is to be surveyed to make sure that there are no flammable hazards or ignition risks. "No Smoking" signs shall be displayed.
8. Ensure that the area is in the open or that it is adequately ventilated before breaking into the system or conducting any hot work. A degree of ventilation shall continue during the period that the work is carried out. The ventilation should safely disperse any released refrigerant and preferably expel it externally into the atmosphere.
9. Repair and maintenance to electrical components shall include initial safety checks and component inspection procedures. If a fault exists that could compromise safety, then no electrical supply shall be connected to the circuit until it is satisfactorily dealt with. If the fault cannot be corrected immediately but it is necessary to continue operation, an adequate temporary solution shall be used. This shall be reported to the owner of the equipment so all parties are advised.

Initial safety checks shall include:

-that capacitors are discharged: this shall be done in a safe manner to avoid possibility of sparking;

-that no live electrical components and wiring are exposed while charging, recovering or purging the system;

-that there is continuity of earth bonding.

10. During repairs to sealed components, all electrical supplies shall be disconnected from equipment being worked upon prior to any removal of sealed covers, etc. If it is absolutely necessary to have an electrical supply to equipment during servicing, then a permanently operating form of leak detection shall be located at the most critical point to warn of a potentially hazardous situation

11. Particular attention shall be paid to the following to ensure that by working on electrical components the casing is not altered in such a way that the level of protection is affected. This shall include damage to cables, excessive number of connections, terminals not made to original specification, damage to seals, incorrect fitting of glands, etc. Ensure that the apparatus is mounted securely.

Ensure that seals or sealing materials have not degraded to the point that they no longer serve the purpose of preventing the ingress of flammable atmospheres. Replacement parts shall be in accordance with the manufacturer's specifications.

12. Do not apply any permanent inductive or capacitance loads to the circuit without ensuring that will not exceed the permissible voltage and current permitted for the equipment in use.

13. Intrinsically safe components are the only types that can be worked on while live in the presence of a flammable atmosphere. The test apparatus shall be at the correct rating.

14. Replace components only with parts specified by the manufacturer. Other parts may result in the ignition of refrigerant in the atmosphere from a leak.

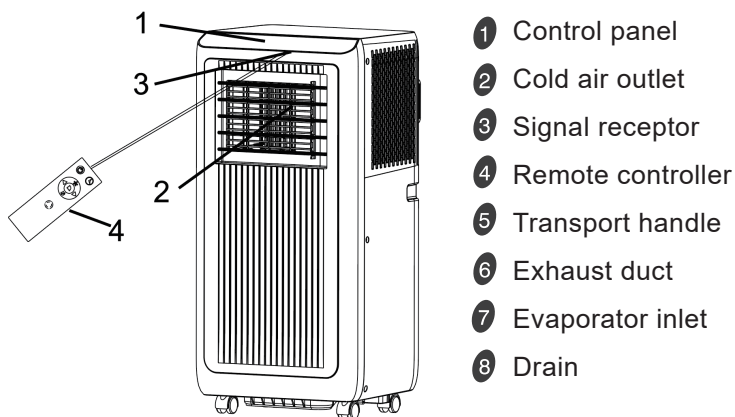
15. Check that cabling will not be subject to wear, corrosion, excessive pressure, vibration, sharp edges or any other adverse environmental effects. The check shall also take into account the effects of aging or continual vibration from sources such as compressors or fans.

16. Under no circumstances shall potential sources of ignition be used in the searching for or detect of refrigerant leaks. A halide torch (or any other detector using a naked flame) shall not be used.

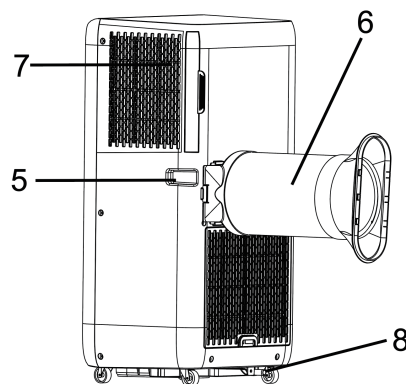
Identification of parts

Identification of parts

Front



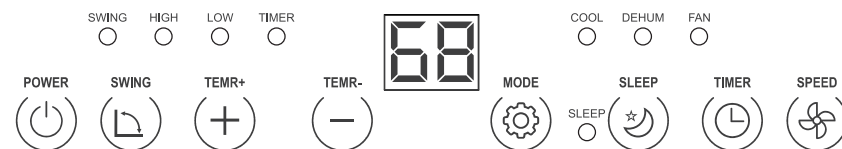
Back



- ✎ The figures in this manual are based on the external view of a standard model. Consequently, the shape may differ from that of the air conditioner you have selected.

Identification of parts

This section explains proper mobile air conditioner operation.



- ⏻ Power button
 ⌚ Timer button
 🔄 Swing
 😴 Sleep
 🌀 Speed button
 ⚙️ Mode button
 + Timer/Temperature up button
 - Timer/Temperature down button

Control panel operation

• Cool, Dehumidify, Fan

1. Turn on the unit

- Plug in, then the unit beeps once.
- Press the " ⏻ " button, then the unit is turned on.
- Digital display set temperature.

2. Selection operating mode

Press the " ⚙️ " button to select a desired mode shown below :



3. Adjust Temperature

The temperature can be set within a range of 16°C to 31°C by 1 °C. Press "+" or "-" button to increase or decrease the temperature 1°C by pressing once. After the temperature is set, the digital tube displays the set temperature.

4. Adjust Fan Speed

Press the "🌀" button to select a desired fan speed shown below :



5. POWER

When you press "🔌" button again, the unit will emit "di", stop working.

6. 🕒 TIMER

Press this button to set a timed shutdown.

7. 🏠 SWING

Press this button to automatically swing left and right.

8. 😴 SLEEP

Press this button to enter the sleep mode of air conditioner.

Remote controller

Remote controller

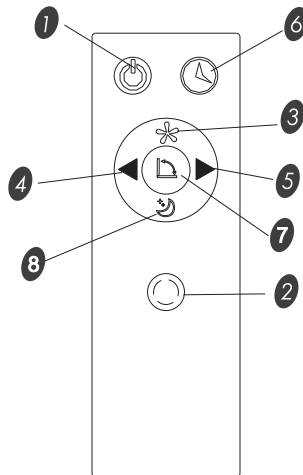
The remote controller transmits signals to the system.

1. 🔌 BUTTON

The appliance will be started when it is energized or will be stopped when it is in operation, if you press this button.

2. 🔄 BUTTON

Press this button to select the operation mode.



3. 🌀 BUTTON

Used to select fan speed in sequence.

4 5. ◀ and ▶ SETTING BUTTONS

Used to adjust the room temperature and the timer.

6. 🕒 BUTTON

Used to set automatic off and automatic on time.

7. 🏠 SWING

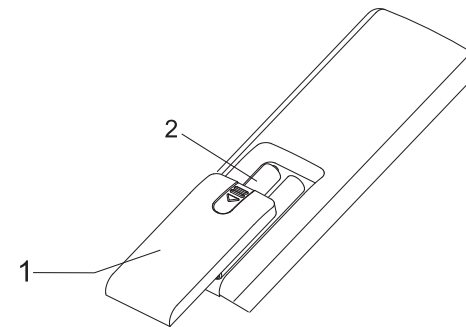
Press this button to automatically swing left and right.

8. 😴 SLEEP

Press this button to enter the sleep mode of air conditioner.

How to install batteries

• Inserting batteries

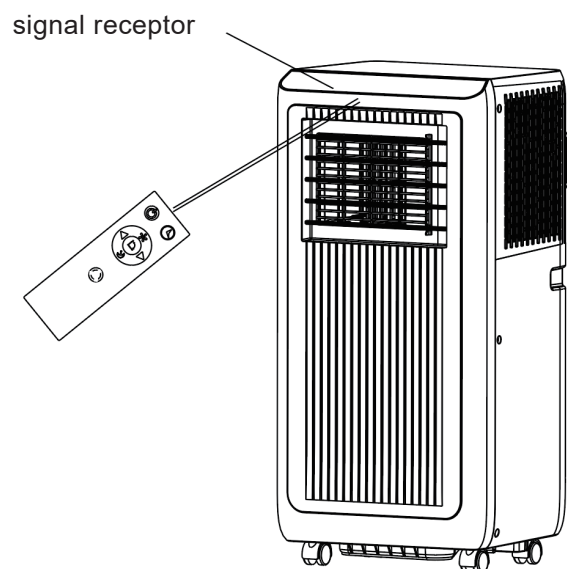


Slide the cover to open
Be sure the direction is correct

1. Open the back cover, and take off the isolating film on the batteries;
2. Put the batteries inside the slot, with anode and cathode in right directions;
3. Put on the back cover.

Notices:

- 1). The anode and cathode of the batteries must be corresponding to the signs of “+” and “-” on the remote control;
- 2). Do not use new battery cells together with run-down cells;
- 3). For long time no use, take out the batteries;
- 4). To prevent environmental pollution, take out the used batteries and dispose safely and appropriately.



• How to Use

To operate the air conditioner, aim the remote controller at the signal receptor. The remote controller will operate the air conditioner at distance of up to 5m (16.4 feet) when pointing at signal receptor of the air conditioner

Protection

Operating condition

The protective device may trip and stop the appliance in the cases listed below.

Cooling	Indoor air temperature is over 43°C/110°F
	Room temperature is below 15°C/59°F
Dehumidifying	Room temperature is below 15°C/59°F
Heating	Room temperature is over 31°C/88°F

If the air conditioner runs in COOLING or DRY mode with door or window opened for a long time when relative humidity is above 80%, dew may drip down from the outlet.

Features of protector

- 1 **The protective device will work in the following cases.**
 - Restarting the unit at once after operation stops or changing mode during operation, you need to wait 3 minutes.
- 2 **• If the plug is taken out, when you restart the appliance, it will return to the original mode, TIMER ON and TIMER OFF must be set again.**

Drain water

Special reminder: there is condensing water recycling hidden within this unit. The condensing water is partly kept recycling between the condenser and the water plate.

When the water level rises to the upper level, the float switch and water full indicator (E4) lights on to remind draining water. Please cut off the power supply, move the appliance to a suitable place, remove the drain plug, drain water completely. After the drain, re-install the plug, or the appliance may leak and make your room wet.

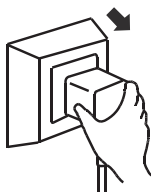
If the appliance is placed in a position admitting drain water, you also can connect the drain hose to the drain port to drain water.

Maintenance

Appliance maintenance

1 Cut off the power supply

Turn off the appliance first before disconnecting from power supply.



2 Wipe with a soft and dry cloth.

Use lukewarm water (below 40°C(104°F)) to clean if the appliance is very dirty.

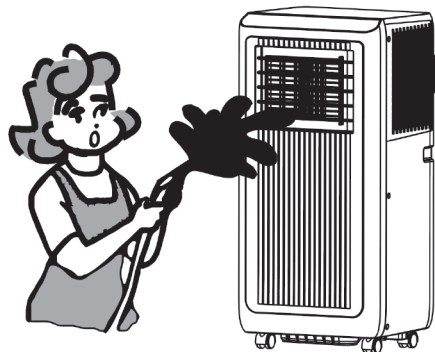


Use a dry and soft cloth to clean it.

3 Never use volatile substance such as gasoline or polishing powder to clean the appliance.



4 Never sprinkle water onto the main unit



Dangerous!
Electric
shock!

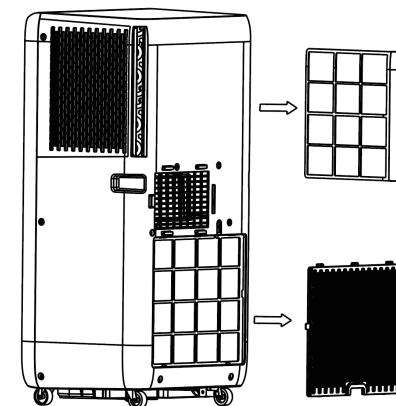
Appliance maintenance

It is necessary to clean the air filter after using it for about 100 hours.

Clean it as follows:

1 Stop the appliance and remove the air filter.

Stop the appliance first, then push up the air filter.



2 Clean and reinstall the air filter.

If the dirt is conspicuous, wash it with a solution of detergent in lukewarm water. After cleaning, dry it in a shaded and cool place, then reinstall it.



3

Clean the air filter every two weeks if the air conditioner operates in an extremely dusty environment.

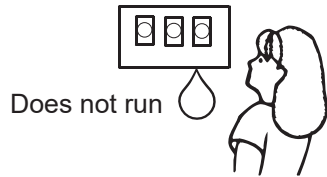
Maintenance after using

1. If the appliance will not be used for a long time, be sure to pull out the primary and the secondary rubber plug of the drain port, in order to drain the water.
2. Keep the appliance running with fan only for a half day during a sunny day to dry the appliance inside and prevent from going moldy.
3. Stop the appliance and pull out the power supply plug, then take out the batteries of remote controller and store appliance properly.
4. Clean the air filter and reinstall it.
5. Remove the air hoses and store them properly, and cover the hole tightly.

Troubleshooting

The following cases may not always be a malfunction, please check suggestions below before asking for service.

Trouble



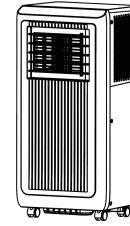
Does not run

Analysis

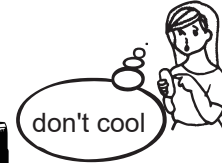
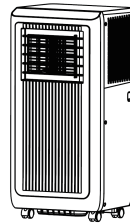
- If the protector trip or fuse is blown.
- Please wait for 3 minutes and start again, protector device may be preventing unit from working.
- If batteries in the remote controller are exhausted.
- If the plug is not properly plugged in.

Trouble

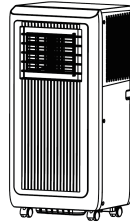
Runs for a short while only



Runs but not cooling



Water leak during moving



Does not run and water full indicator "E4"



Analysis

- If the set temperature is close to room temperature, you can lower the set temperature.
- Air outlet is blocked by obstacle. Take the obstacle away.

- If the door or window is open.
- If there is another appliance heat working like heater or lamp, etc.
- The air filter is dirty, please clean it.
- Air outlet or intake is blocked.
- Set temperature is too high.

- Drain the condensate before moving.
- To avoid water leakage, please locate the unit on flat ground.

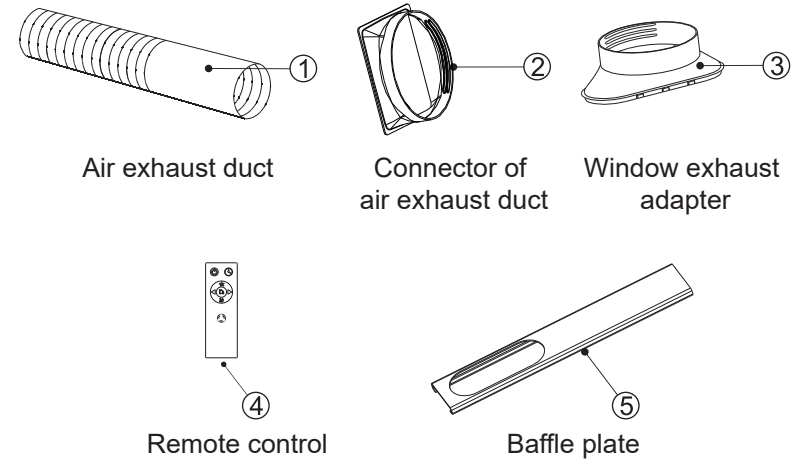
- Pull out the rubber plug to drain water.
- If it is often in this state, please contact qualified service technical.

Before claiming repair, check the machine as follows:

Failures	Causes	Solutions
Machine fails to start up.	Power supply failure: 1 .Not plugged; 2.Plug or socket damaged; 3.Fuse broken.	1.Plug in; 2.Replace the power cord or socket; 3.Replace the fuse by service provider (Specification: 6.3A/250VAC).
Machine automatically stops.	TIMING shut down or set temperature reached.	Restart or wait for auto-switch.
No cold air under COOLING mode.	1.Room temperature lower than set temperature; 2.Machine enters into anti-frost protection.	1.This is a normal phenomenon, the machine will auto-switch while the room temperature is higher than the set temperature; 2.The machine will auto switch after anti-frost protection is over.
No hot air under HEATING mode.	1.Indoor temperature higher than set temperature; 2.Defrosting; 3.Cold-air protection.	This is a normal phenomenon, the machine will auto switch while the room temperature is lower than the set temperature, or after the defrosting ends, or after cold-air protection is over.
LED displays failure code "E0"	Room temperature sensor fails or damaged.	Replace the room temperature sensor.
LED displays failure code "E4"	Water-full warning.	Drain out the water.

Installation

Installation accessories



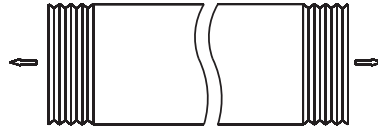
Select the best location

- Beside a window, a door or a French window.
Keep the required distance from the return air outlet to the wall or other obstacles at least 60cm.
- Fix one end of the air hose on the air outlet underside the appliance.
Extend the air hose to ensure that other end of the air hose has clearance between the window, door, or French window, or wall hole.
- Air outlet or intake cannot be blocked by protective grid or any obstacle.

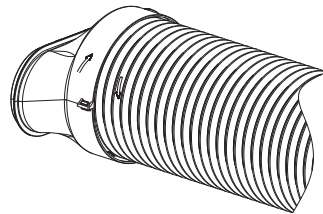
Install Exhaust Hose and Adapter

How to connect the connectors to the air exhaust duct

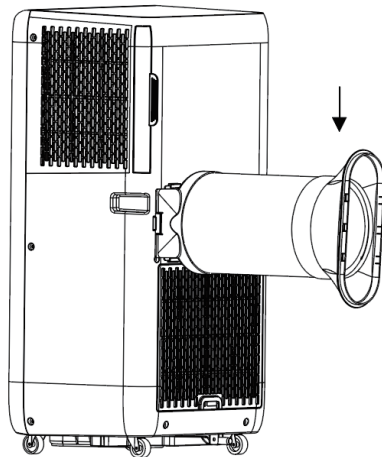
1. Extend the air exhaust duct by drawing out the two ends of the duct.



2. Screw the air exhaust duct into the connector of air exhaust duct.



3. Connect the connector of air exhaust duct to the unit.



Using Information

■ Cautions

- Keep the unit at least 1 meter away from TV or radios to avoid electromagnetic interference.
- Do not expose the unit under direct sun light to avoid surface color fading.
- Do not tilt the unit for more than 35° or upside-down while transporting.
- Place the unit on a flat surface with less than 5 ° inclination.
- The unit operates more efficiently in certain room locations (see Technical Specifications).
- Empty the condensed drainage pan before putting the unit in storage to prolong the unit lifetime at the end of the season.
- Do not use chemical solvents (e.g. Benzene, alcohol-glazer) to clean the unit surface to avoid scratching, damaging the surface.
- Make sure to cut off the power before disassembling or installing the air-inlet fence.
- Please empty the water from the water tank, if you want to move the machine.
- The battery must be removed from the appliance before it is scrapped.
- The battery is to be disposed of safely.
- The plug must be removed before cleaning, maintaining or filling the appliance.

Merci d'avoir choisi ce climatiseur mobile pour vous offrir, à vous et à votre famille, toutes les exigences de « confort domestique » pour votre maison, votre chalet ou votre bureau. L'appareil peut être déplacé d'une pièce à l'autre de votre maison et installé en quelques minutes seulement.

Il s'agit d'un appareil multifonctionnel d'échange d'air ambiant et de traitement de l'air, conçu pour vous offrir les fonctions de : climatisation, déshumidification, ventilateur indépendant et chauffage. La pression statique externe à laquelle l'appareil a été testé est de 0 Mpa.

Ce manuel vous fournira des informations précieuses nécessaires à un entretien et une maintenance appropriés.

Pour votre nouvel appareil. Veuillez prendre quelques instants et lire attentivement les instructions. S'il est correctement entretenu, votre appareil vous offrira de nombreuses années de fonctionnement sans problème.

Spécifications électriques

1. Tout le câblage doit être conforme aux codes électriques locaux et nationaux et être installé par un électricien qualifié.

Si vous avez des questions concernant les instructions suivantes, contactez un électricien qualifié.

2. Vérifiez l'alimentation électrique disponible et résolvez tout problème de câblage avant l'installation et l'utilisation de cet appareil.

3. Pour votre sécurité et votre protection, cet appareil est mis à la terre via la fiche du cordon d'alimentation lorsqu'il est branché sur une prise murale correspondante. Si vous n'êtes pas sûr que les prises murales de votre maison soient correctement mises à la terre, veuillez consulter un électricien. Si le cordon d'alimentation est endommagé, il doit être remplacé par des personnes qualifiées afin d'éviter tout danger.

CONSIGNES DE SÉCURITÉ IMPORTANTES

AVERTISSEMENT

Pour réduire le risque d'incendie, de choc électrique ou de blessure lors de l'utilisation de votre climatiseur, suivez ces précautions de base :

1. Branchez sur une prise à 3 broches mise à la terre.
2. Ne retirez pas la broche de terre.
3. N'utilisez pas d'adaptateur.
4. N'utilisez pas de rallonge.
5. Débranchez le climatiseur avant l'entretien.
6. Utilisez deux personnes ou plus pour déplacer et installer le climatiseur.
7. Cet appareil peut être utilisé par des enfants âgés de 8 ans et plus et des personnes ayant des capacités physiques, sensorielles ou mentales réduites ou un manque d'expérience et de connaissances s'ils ont reçu une supervision ou des instructions concernant l'utilisation de l'appareil en toute sécurité et comprendre les dangers encourus.
8. Les enfants ne doivent pas jouer avec l'appareil. Le nettoyage et l'entretien par l'utilisateur ne doivent pas être effectués par des enfants sans surveillance.
9. Si le cordon d'alimentation est endommagé, il doit être remplacé par des personnes qualifiées afin d'éviter tout danger.
10. L'appareil doit être installé conformément aux réglementations nationales en matière de câblage.
11. Cet appareil n'est pas destiné à être utilisé par des personnes (y compris des enfants) ayant des capacités physiques, sensorielles ou mentales réduites, ou un manque d'expérience et de connaissances,



à moins qu'elles n'aient reçu une supervision ou des instructions concernant l'utilisation de l'appareil par une personne responsable de leur sécurité. Les jeunes enfants doivent être surveillés pour s'assurer qu'ils ne jouent pas avec l'appareil.

12. N'utilisez pas de moyens pour accélérer le processus de dégivrage ou pour nettoyer, autres que ceux recommandés par le fabricant.

L'appareil doit être stocké dans une pièce sans sources d'inflammation en fonctionnement continu, par exemple : flammes nues, fonctionnement.

Appareil à gaz ou radiateur électrique en fonctionnement.

Soyez conscient que les réfrigérants.

Ne peut contenir aucune odeur.

Ne pas percer ni brûler.

13. En cas de dysfonctionnement de la machine, ne la réparez pas vous-même. Veuillez contacter une organisation professionnelle ou un personnel de maintenance professionnel formé ou une organisation de service recommandée par le fournisseur pour la réparation !

- La quantité maximale de charge de réfrigérant : 190 g/6,7 oz.

14. N'utilisez pas de moyens pour accélérer le processus de dégivrage ou pour nettoyer, autres que ceux recommandés par le fabricant.

15. L'appareil doit être stocké dans une pièce sans sources d'inflammation fonctionnant en permanence (par exemple : des flammes nues, un appareil à gaz en fonctionnement ou un radiateur électrique en fonctionnement.)

16. Ne pas percer ni brûler.

17. Sachez que les réfrigérants ne peuvent pas contenir d'odeur.

Consignes de Sécurité pendant l'Entretien

1. Le manuel doit contenir des informations spécifiques sur la qualification requise du personnel travaillant pour les opérations de maintenance, d'entretien et de réparation. Toute procédure de travail affectant les moyens de sécurité doit être effectuée uniquement par des personnes compétentes.
2. Avant de commencer à travailler sur des systèmes contenant des RÉFRIGÉRANTS INFLAMMABLES, des contrôles de sécurité sont nécessaires pour garantir que le risque d'inflammation est minimisé.
3. Les travaux doivent être entrepris selon une procédure contrôlée afin de minimiser le risque de présence de gaz ou de vapeurs inflammables pendant l'exécution des travaux.
4. Tout le personnel d'entretien et les autres personnes travaillant dans la zone locale doivent être informés de la nature des travaux à effectuer. Les travaux dans des espaces confinés doivent être évités.
5. La zone doit être vérifiée avec un détecteur de réfrigérant approprié avant et pendant le travail, pour garantir que le technicien est conscient des atmosphères potentiellement toxiques ou inflammables. Assurez-vous que l'équipement de détection de fuite utilisé est adapté à une utilisation avec tous les réfrigérants applicables, c'est-à-dire sans étincelles, correctement scellé ou intrinsèquement sûr.
6. Si des travaux à chaud doivent être effectués sur l'équipement de réfrigération ou sur toute pièce associée, un équipement d'extinction d'incendie approprié doit être disponible à portée de main. Placez un extincteur à poudre sèche ou à CO₂ à proximité de la zone de chargement.

7. Aucune personne effectuant des travaux relatifs à un SYSTÈME DE RÉFRIGÉRATION impliquant l'exposition de canalisations ne doit utiliser des sources d'inflammation de telle manière que cela puisse entraîner un risque d'incendie ou d'explosion. Toutes les sources d'inflammation possibles, y compris la fumée de cigarette, doivent être suffisamment éloignées du site d'installation, de réparation, de retrait et d'élimination, pendant lequel le réfrigérant peut éventuellement être libéré dans l'espace environnant. Avant le début des travaux, la zone autour de l'équipement doit être inspectée pour s'assurer qu'il n'y a aucun risque d'inflammabilité ou de risque d'inflammation. Des panneaux « Interdiction de fumer » doivent être affichés.
8. Assurez-vous que la zone est à l'air libre ou qu'elle est correctement ventilée avant de pénétrer dans le système ou d'effectuer tout travail à chaud. Un certain degré de ventilation doit être maintenu pendant la durée des travaux. La ventilation doit disperser en toute sécurité tout réfrigérant libéré et, de préférence, l'expulser vers l'extérieur dans l'atmosphère.
9. La réparation et l'entretien des composants électriques doivent inclure des contrôles de sécurité initiaux et des procédures d'inspection des composants. S'il existe un défaut susceptible de compromettre la sécurité, aucune alimentation électrique ne doit être connectée au circuit jusqu'à ce qu'il soit résolu de manière satisfaisante. Si le défaut ne peut pas être corrigé immédiatement mais qu'il est nécessaire de poursuivre l'exploitation, une solution temporaire adéquate doit être utilisée. Cela doit être signalé au propriétaire de l'équipement afin que toutes les parties en soient informées.

Les contrôles de sécurité initiaux doivent inclure :

-que les condensateurs soient déchargés : cela doit être fait de manière sûre pour éviter tout risque d'étincelle ;

-qu'aucun composant électrique ni câblage sous tension n'est exposé pendant le chargement, la récupération ou la purge du système ;

-qu'il y a une continuité de mise à la terre.

10. Lors des réparations de composants scellés, toutes les alimentations électriques doivent être déconnectées de l'équipement sur lequel on travaille avant tout retrait des couvercles scellés, etc. S'il est absolument nécessaire d'avoir une alimentation électrique pour l'équipement pendant l'entretien, alors une forme de fonctionnement permanent de la détection des fuites doit être située au point le plus critique pour avertir d'une situation potentiellement dangereuse

11. Une attention particulière doit être portée aux points suivants pour garantir qu'en travaillant sur des composants électriques, le boîtier n'est pas modifié de manière à affecter le niveau de protection. Cela doit inclure des dommages aux câbles, un nombre excessif de connexions, des bornes non conformes aux spécifications d'origine, des dommages aux joints, un montage incorrect des presse-étoupes, etc. Assurez-vous que l'appareil est monté solidement. Assurez-vous que les joints ou les matériaux d'étanchéité ne se sont pas dégradés au point de ne plus servir à empêcher la pénétration d'atmosphères inflammables. Les pièces de rechange doivent être conformes aux spécifications du fabricant.

12. N'appliquez aucune charge inductive ou capacitive permanente au circuit sans vous assurer qu'elle ne dépassera pas la tension et le courant autorisés pour l'équipement utilisé.

13. Les composants intrinsèquement sûrs sont les seuls types sur lesquels il est possible de travailler lorsqu'ils sont sous tension dans une atmosphère inflammable. L'appareil d'essai doit être de niveau correct.

14. Remplacez les composants uniquement par des pièces spécifiées par le fabricant. D'autres pièces peuvent entraîner l'inflammation du réfrigérant dans l'atmosphère à cause d'une fuite.

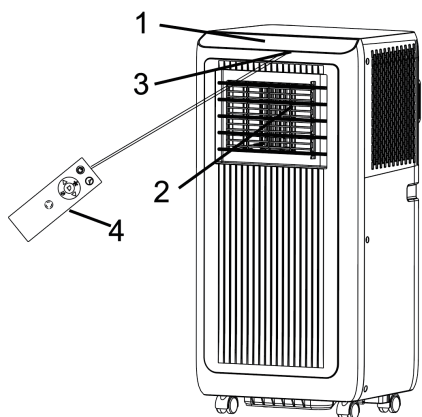
15. Vérifiez que le câblage ne sera pas soumis à l'usure, à la corrosion, à une pression excessive, à des vibrations, à des arêtes vives ou à tout autre effet environnemental néfaste. Le contrôle doit également prendre en compte les effets du vieillissement ou des vibrations continues provenant de sources telles que les compresseurs ou les ventilateurs.

16. En aucun cas des sources potentielles d'inflammation ne doivent être utilisées pour rechercher ou détecter des fuites de réfrigérant. Une torche aux halogénures (ou tout autre détecteur utilisant une flamme nue) ne doit pas être utilisée.

Identification des pièces

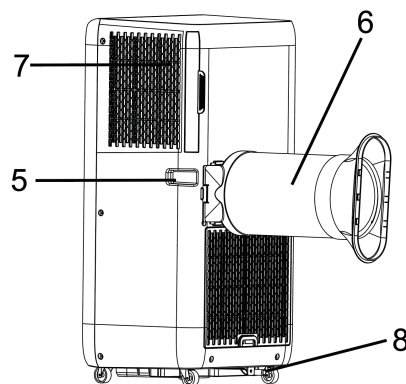
Identification des pièces

Avant



- 1 Panneau de contrôle
- 2 Sortie d'air froid
- 3 Récepteur de signaux
- 4 Télécommande
- 5 Poignée de transport
- 6 Conduit d'échappement
- 7 Entrée de l'évaporateur
- 8 Vidange

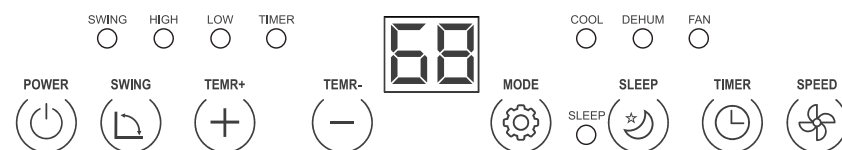
Arrière



- Les figures de ce manuel sont basées sur la vue externe d'un modèle standard. Par conséquent, la forme peut différer de celle du climatiseur que vous avez sélectionné.

Panneau de contrôle

Cette section explique le bon fonctionnement du climatiseur mobile.



- ⏻ Bouton d'alimentation
- ⏸ Bouton de vitesse
- 🕒 Bouton minuterie
- ⚙️ Bouton de mode
- 📏 Bascule
- + Bouton minuterie/Augmentation de la température
- ☾ Sommeil
- Bouton minuterie/Réduction de la température

■ Fonctionnement du panneau de commande

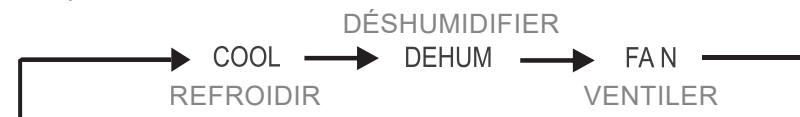
• Refroidir, Déshumidifier, Ventilier

1. Allumez l'appareil

- a) Branchez, puis l'appareil émet un bip.
- b) Appuyez sur le bouton « ⏻ », puis l'appareil est allumé.
- c) Température réglée par affichage numérique.

2. Mode de fonctionnement de sélection


Appuyez sur le bouton « ⚙️ » pour sélectionner le mode souhaité indiqué ci-dessous :

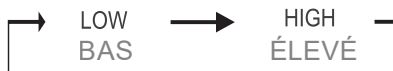


3. Ajuster la Température


La température peut être réglée dans une plage de 16°C à 31°C par 1°C. Appuyez sur le bouton « + » ou « - » pour augmenter ou diminuer la température de 1 C en appuyant une fois. Une fois la température réglée, le tube numérique affiche la température réglée.

4. Ajuster la Vitesse du Ventilateur

Appuyez sur le bouton «  » pour sélectionner la vitesse de ventilateur souhaitée indiquée ci-dessous :



5. Alimentation

Lorsque vous appuyez à nouveau sur le bouton «  », l'appareil émettra « di », cessera de fonctionner.

6. MINUTERIE

Appuyez sur ce bouton pour définir un arrêt programmé.

7. BASCULE

Appuyez sur ce bouton pour balancer automatiquement à gauche et à droite.

8. SOMMEIL

Appuyez sur ce bouton pour entrer en mode veille du climatiseur.

Télécommande

Télécommande

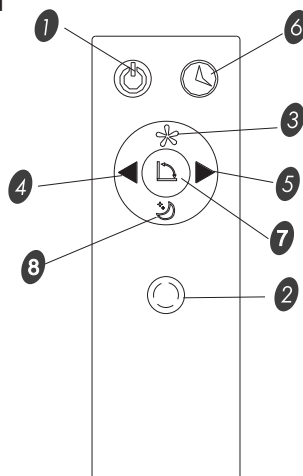
La télécommande transmet des signaux au système.

1 BOUTON

L'appareil démarrera lorsqu'il sera sous tension ou s'arrêtera lorsqu'il sera en fonctionnement si vous appuyez sur ce bouton.

2 BOUTON

Appuyez sur ce bouton pour sélectionner le mode de fonctionnement.



3 BOUTON

Utilisé pour sélectionner la vitesse du ventilateur en séquence.

4 5 et BOUTONS DE RÉGLAGE

Utilisés pour régler la température ambiante et la minuterie.

6 BOUTON

Utilisé pour régler l'arrêt automatique et l'heure d'allumage automatique.

7 BASCULE

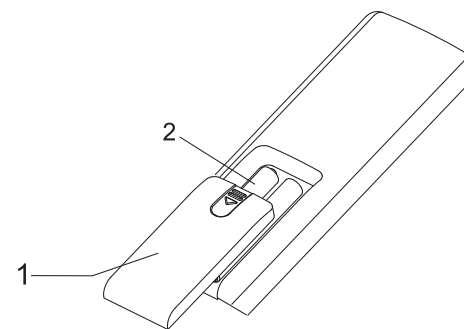
Appuyez sur ce bouton pour balancer automatiquement à gauche et à droite.

8 SOMMEIL

Appuyez sur ce bouton pour entrer en mode veille du climatiseur.

■ Comment installer les piles

• Insérer les piles

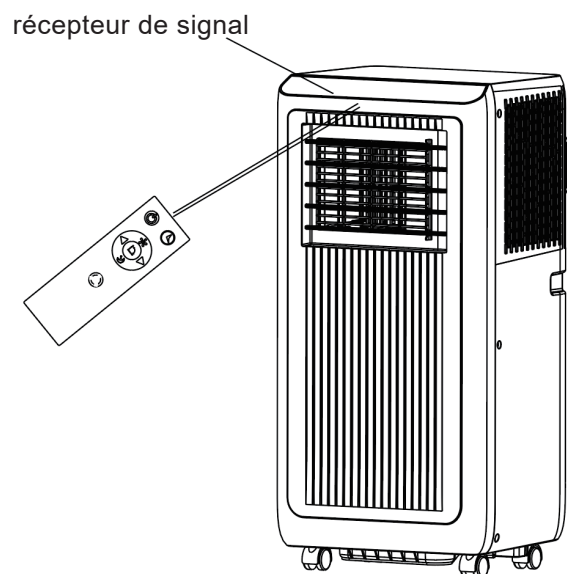


Faites glisser le couvercle pour l'ouvrir. Assurez-vous que la direction est correcte.

1. Ouvrez le capot arrière et retirez le film isolant sur les piles.
2. Placez les piles à l'intérieur de la fente, avec l'anode et la cathode dans le bon sens ;
3. Mettez la couverture arrière.

Avis :

- 1). L'anode et la cathode des piles doivent correspondre aux signes « + » et « - » sur la télécommande ;
- 2). N'utilisez pas de cellules de batterie neuves avec des cellules déchargées ;
- 3). Pendant une longue période sans utilisation, retirez les piles ;
- 4). Pour éviter la pollution de l'environnement, retirez les piles usagées et jetez-les de manière sûre et appropriée.

**• Comment Utiliser**

Pour faire fonctionner le climatiseur, dirigez la télécommande vers le récepteur de signal. La télécommande fera fonctionner le climatiseur à une distance allant jusqu'à 5 m lorsqu'elle est pointée vers le récepteur de signal du climatiseur.

Protection**État de fonctionnement**

Le dispositif de protection peut se déclencher et arrêter l'appareil dans les cas listés ci-dessous.

Refroidissement	La température de l'air intérieur est supérieure à 43°C/110°F
	La température ambiante est inférieure à 15°C/59°F
Déshumidification	La température ambiante est inférieure à 15°C/59°F
Chauffage	La température ambiante est supérieure à 31°C/88°F

Si le climatiseur fonctionne en mode REFROIDISSEMENT ou SEC avec la porte ou la fenêtre ouverte pendant une longue période lorsque l'humidité relative est supérieure à 80 %, de la rosée peut s'écouler de la sortie.

Caractéristiques du protecteur

- 1 Le dispositif de protection fonctionnera dans les cas suivants.**
 - Pour redémarrer l'appareil immédiatement après l'arrêt du fonctionnement ou après un changement de mode pendant le fonctionnement, vous devez attendre 3 minutes.
- 2**
 - Si la fiche est retirée, lorsque vous redémarrez l'appareil, il reviendra au mode d'origine, TIMER ON et TIMER OFF doivent être à nouveau réglés.

Drainer l'eau

Rappel spécial : Il y a un recyclage de l'eau de condensation caché à l'intérieur de cette unité. L'eau de condensation est en partie recyclée entre le condenseur et la plaque à eau.

Lorsque le niveau d'eau atteint le niveau supérieur, l'interrupteur à flotteur et l'indicateur de plein d'eau (E4) s'allument pour rappeler de vidanger l'eau. Veuillez couper l'alimentation électrique, déplacer l'appareil dans un endroit approprié, retirer le bouchon de vidange, vidanger complètement l'eau. Après la vidange, réinstallez le bouchon, sinon l'appareil pourrait fuir et rendre votre pièce humide.

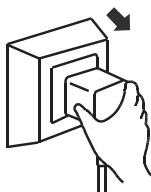
Si l'appareil est placé dans une position permettant l'évacuation de l'eau, vous pouvez également connecter le tuyau de vidange à l'orifice de vidange pour évacuer l'eau.

Maintenance

Entretien des appareils

1 Coupez l'alimentation.

Éteignez d'abord l'appareil avant de le débrancher de l'alimentation électrique.



2 Essuyez avec un chiffon doux et sec.

Utilisez de l'eau tiède (inférieure à 40°C) pour nettoyer si l'appareil est très sale.



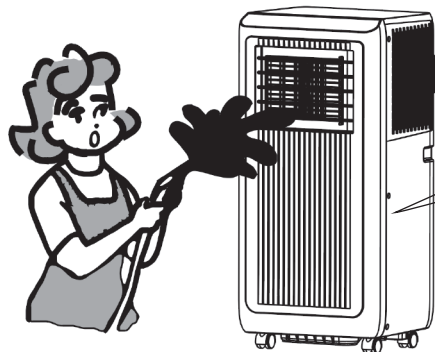
Utilisez un chiffon sec et doux pour le nettoyer.

3

N'utilisez jamais de substances volatiles telles que de l'essence ou de la poudre à polir pour nettoyer l'appareil.



4 Ne versez jamais d'eau sur l'unité principale.



**Dangereux !
Choc électrique !**

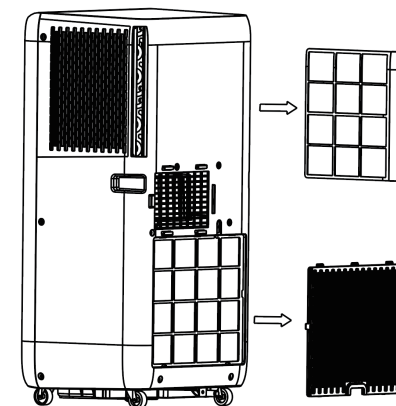
Entretien du filtre à air

Il est nécessaire de nettoyer le filtre à air après l'avoir utilisé pendant environ 100 heures.

Nettoyez-le comme suit :

1 Arrêtez l'appareil et retirez le filtre à air.

Arrêtez d'abord l'appareil, puis remontez le filtre à air.



2 Nettoyez et réinstallez le filtre à air.

Si la saleté est visible, lavez-la avec une solution de détergent dans de l'eau tiède. Après le nettoyage, séchez-la dans un endroit ombragé et frais, puis réinstallez-la.



3

Nettoyez le filtre à air toutes les deux semaines si le climatiseur fonctionne dans un environnement extrêmement poussiéreux.

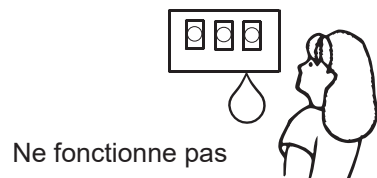
Entretien après utilisation

1. Si l'appareil n'est pas utilisé pendant une longue période, assurez-vous de retirer les bouchons en caoutchouc primaire et secondaire de l'orifice de vidange afin de vider l'eau.
2. Laissez l'appareil fonctionner avec le ventilateur seulement pendant une demi-journée par temps ensoleillé pour sécher l'intérieur de l'appareil et éviter la moisissure.
3. Arrêtez l'appareil et débranchez la fiche d'alimentation, puis retirez les piles de la télécommande et rangez l'appareil correctement.
4. Nettoyez le filtre à air et réinstallez-le.
5. Retirez les tuyaux d'air, rangez-les correctement et couvrez hermétiquement le trou.

Dépannage

Les cas suivants ne constituent pas toujours un dysfonctionnement, veuillez vérifier les suggestions ci-dessous avant de demander un service.

Problème



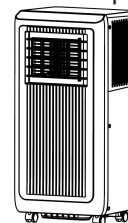
Ne fonctionne pas

Analyse

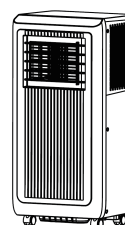
- Si le protecteur se déclenche ou si le fusible est grillé.
- Veuillez attendre 3 minutes et recommencer, le dispositif de protection peut empêcher l'unité de fonctionner.
- Si les piles de la télécommande sont épuisées.
- Si la fiche n'est pas correctement branchée.

Problème

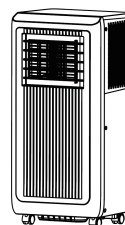
Fonctionne pendant une courte période seulement



Fonctionne mais ne refroidit pas



Fuite d'eau lors d'un déménagement



Ne fonctionne pas et indicateur de remplissage d'eau « E4 »



Analyse

- Si la température réglée est proche de la température ambiante, vous pouvez la baisser.
- La sortie d'air est bloquée par un obstacle.

Enlevez l'obstacle.

- Si la porte ou la fenêtre est ouverte.
- S'il existe un autre appareil fonctionnant à la chaleur, comme un radiateur ou une lampe, etc.
- Le filtre à air est sale, veuillez le nettoyer.
- La sortie ou l'entrée d'air est bloquée.
- La température réglée est trop élevée.

- Vidangez les condensats avant de vous déplacer.
- Pour éviter les fuites d'eau, veuillez placer l'appareil sur un sol plat.

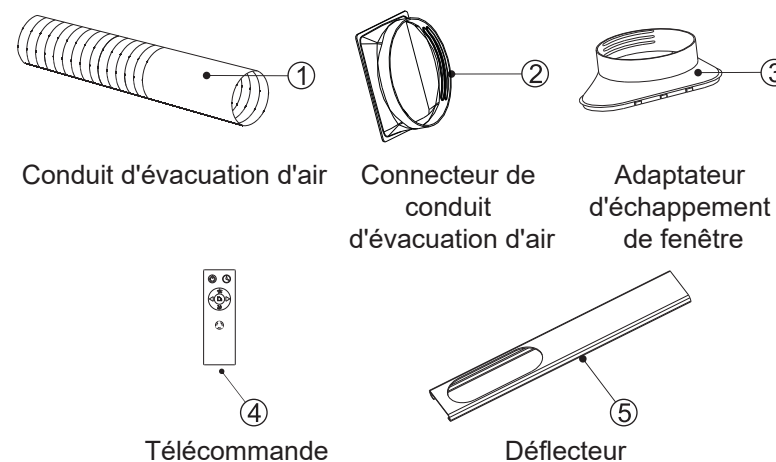
- Retirez le bouchon en caoutchouc pour évacuer l'eau.
- Si cet état se produit souvent, veuillez contacter un technicien de service qualifié.

Avant de réclamer une réparation, vérifiez la machine comme suit :

Échecs	Causes	Solutions
La machine ne parvient pas à démarrer.	Panne d'alimentation : 1. Non branché ; 2. Fiche ou prise endommagée ; 3. Fusible cassé.	1. Branchez ; 2. Remplacez le cordon d'alimentation ou la prise ; 3. Remplacez le fusible par le fournisseur de services (Spécification : 6,3 A/250 VAC).
La machine s'arrête automatiquement.	Minuteur s'arrête ou la température réglée est atteinte.	Redémarrez ou attendez le changement automatique.
Pas d'air froid en mode REFROIDISSEMENT.	1. Température ambiante inférieure à la température réglée ; 2. La machine entre en protection antigel.	1. Il s'agit d'un phénomène normal, la machine commutera automatiquement lorsque la température ambiante est supérieure à la température réglée ; 2. La machine commutera automatiquement une fois la protection antigel terminée.
Pas d'air chaud en mode CHAUFFAGE.	1. Température intérieure supérieure à la température réglée ; 2. Dégivrage ; 3. protection contre l'air froid.	Il s'agit d'un phénomène normal, la machine commute automatiquement lorsque la température ambiante est inférieure à la température réglée, ou après la fin du dégivrage, ou après la fin de la protection contre l'air froid.
La LED affiche le code de panne « E0 »	Le capteur de température ambiante est en panne ou endommagé.	Remplacez le capteur de température ambiante.
La LED affiche le code de panne « E4 »	Avertissement de plein d'eau.	Égouttez l'eau.

Installation

Accessoires d'installation



Sélectionnez le meilleur emplacement

- À côté d'une fenêtre, d'une porte ou d'une porte-fenêtre.
- Maintenez la distance requise entre la sortie d'air de retour et le mur ou tout autre obstacle d'au moins 60 cm.
- Fixez une extrémité du tuyau d'air sur la sortie d'air située sous l'appareil.
- Rallongez le tuyau d'air pour vous assurer que l'autre extrémité du tuyau d'air a un espace libre entre la fenêtre, la porte, la porte-fenêtre ou le trou du mur.
- La sortie ou l'entrée d'air ne peut pas être bloquée par une grille de protection ou tout obstacle.

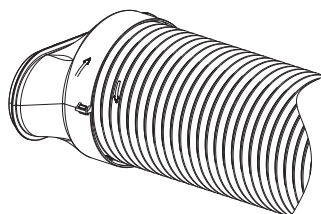
Installer le Tuyau d'Échappement et l'Adaptateur

Comment connecter les connecteurs au conduit d'évacuation d'air

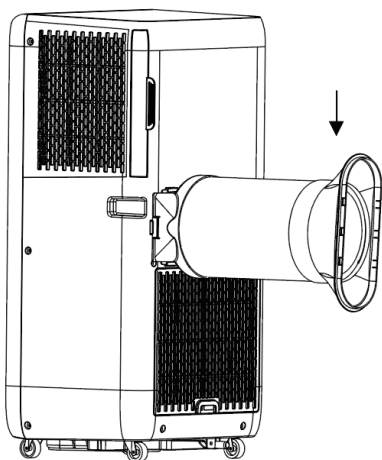
1. Prolongez le conduit d'évacuation d'air en tirant les deux extrémités du conduit.



2. Vissez le conduit d'évacuation d'air dans le connecteur du conduit d'évacuation d'air.



3. Connectez le connecteur du conduit d'évacuation d'air à l'unité.



Informations d'Utilisation

Précautions

- Gardez l'appareil à au moins 1 mètre des téléviseurs ou des radios pour éviter les interférences électromagnétiques.
- N'exposez pas l'appareil à la lumière directe du soleil pour éviter la décoloration de la couleur de la surface.
- N'inclinez pas l'appareil à plus de 35° ou à l'envers pendant le transport.
- Placez l'appareil sur une surface plane avec une inclinaison inférieure à 5°.
- L'unité fonctionne plus efficacement dans certaines pièces (voir Spécifications techniques).
- Videz le bac de récupération des condensats avant de ranger l'unité pour prolonger la durée de vie de l'unité à la fin de la saison.
- N'utilisez pas de solvants chimiques (par exemple benzène, alcool-glazer) pour nettoyer la surface de l'unité afin d'éviter de rayer et d'endommager la surface.
- Assurez-vous de couper l'alimentation électrique avant de démonter ou d'installer la clôture d'entrée d'air.
- Veuillez vider l'eau du réservoir d'eau si vous souhaitez déplacer la machine.
- La batterie doit être retirée de l'appareil avant sa mise au rebut.
- La batterie doit être éliminée en toute sécurité.
- Le bouchon doit être retiré avant le nettoyage, l'entretien ou le remplissage de l'appareil.

EN

Return / Damage Claim Instructions

- ⚠ **DO NOT discard the box / original packaging.**
In case a return is required, the item must be returned in original box. Without this your return will not be accepted.
- ⚠ **Take a photo of the box markings.**
A photo of the markings (text) on the side of the box is required in case a part is needed for replacement. This helps our staff identify your product number to ensure you receive the correct parts.
- ⚠ **Take a photo of the damaged part (if applicable).**
A photo of the damage is always required to file a claim and get your replacement or refund processed quickly. Please make sure you have the box even if it is damaged.
- ⚠ **Send us an email with the images requested.**
Email us directly from marketplace where your item was purchased with the attached images and a description of your claim.

FR

Instructions De Retour / Réclamation De Dommages

- ⚠ **NE PAS jeter la boîte/l'emballage d'origine.**
Dans le cas où un retour est requis, l'article doit être retourné dans sa boîte d'origine. Sans cela, votre retour ne sera pas accepté.
- ⚠ **Prenez une photo des marquages de la boîte.**
Une photo des marquages (texte) sur le côté de la boîte est requise au cas où une pièce serait nécessaire pour le remplacement. Cela aide notre personnel à identifier votre numéro de produit pour s'assurer que vous recevez les bonnes pièces.
- ⚠ **Prenez une photo des dommages (le cas échéant).**
Une photo des dommages est toujours requise pour déposer une réclamation et obtenir rapidement votre remplacement ou votre remboursement. Assurez-vous d'avoir la boîte même si elle est endommagée.
- ⚠ **Envoyez-nous un e-mail avec les images demandées.**
Envoyez-nous un e-mail directement depuis le marché où votre article a été acheté avec les images ci-jointes et une description de votre réclamation.