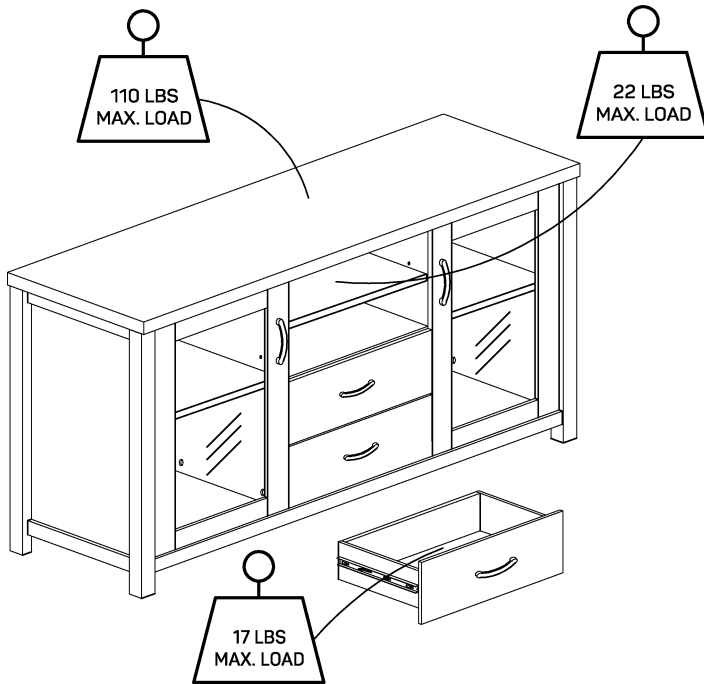


Thank you for your purchase!



## BUFFET SIDEBOARD STORAGE CABINET



# ASSEMBLY INSTRUCTIONS

### **Before You Begin: Phillips screwdriver required for assembly ( Not included).**

Please identify all component parts and hardware pieces required before you begin. Carefully remove all of the components from the packaging and set aside for assembly. Assemble on a soft surface to prevent scratching during assembly.

### **Caution:**

Tighten all components securely before use. Failure to do so may result in personal injury.

DO NOT use any sharp objects to open plastic wrapped components as damage to product or components may result.

### **Warning:**

### **CHOKING HAZARD - Small Parts. Adult Assembly Required.**

Injuries may result from tipping furniture. You must install Tipping Restraint Hardware with the unit to prevent the unit from tipping and causing any accidental injury, instability, death or damage. The tipping restraint is intended only as a safety measure, it is not a substitute for proper adult supervision.

The tipping restraint is not an earthquake restraint. If you wish to add the extra security of earthquake restraints, they must be purchased and installed separately.

Serious or fatal crushing injuries can occur from furniture tipping over. To prevent furniture from tipping over it must be permanently fixed to the wall. Fixing devices for the wall are not included since different wall materials require different types of fixing devices. Use fixing devices suitable for the walls in your home.

**Note: Manufacturer assumes no liability for improper installation or excessive loads placed on screws or brackets.**

Failure to detach this restraint before moving furniture may result in injury or damage. **DO NOT ALLOW CHILDREN TO CLIMB ON FURNITURE**



# Congratulations!

You just purchased a piece of happiness. At Ubique Group, we believe you can transform your spaces into the most inspired places with furnishings that are the perfect combination of form, function and style. As original innovators of online furniture retail, we offer the best selection of popular, contemporary styles at cool, comfortable prices. And, with decades of proven shipping and packaging expertise, our Extended Quality Checklist ensures a rewarding, hassle-free experience time and time again. It's just what you need to bring your vision to life.

**Thank you & Enjoy!!**

*your friends at Ubique Group*



**LIKE IT!**

*Share it on social  
& Tell a friend!  
#Spaces2Places*



**LOVE IT!**

*Write an online  
product review  
where purchased*



**NOT SURE?**

*Let us help!  
Contact our  
customer support.*

Have a question, concern or simply need a hand? Your satisfaction is our top priority. Contact us at 866-552-2810 or [customerexperience@theubiquegroup.com](mailto:customerexperience@theubiquegroup.com). We're here to help!

## Browse Our Branded Collections

There's something for everyone inside our family of brands.

**FLASH**  
FURNITURE®

MERRICK | LANE

Taylor & Logan

**Emma+Oliver**®

  
MASADA  
RUGS

  
HBCY  
CREATIONS

**BlackArc**®



Visit [www.theubiquegroup.com/brands](http://www.theubiquegroup.com/brands) or scan this code.



We pride ourselves on providing an excellent customer experience starting right here with your package and instructions. Everything you need should be right where you need it, so you can get to enjoying your new item ASAP. But despite our best efforts, sometimes "slips happen." If you need any support, from replacement parts to recommendations, please reach out to our wonderful customer support team at 866-552-2810 or [customerexperience@theubiquegroup.com](mailto:customerexperience@theubiquegroup.com). We're here to help!

## EVERY UBIQUE GROUP PRODUCT



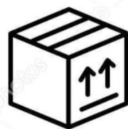
Quality &  
Durability Tested



Packaged  
with Care



Shipped from  
our U.S. Facility



Designed  
for Easy  
Assembly

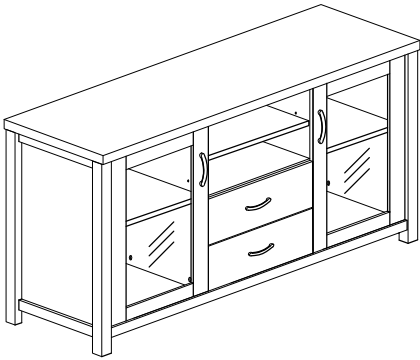


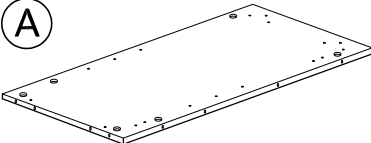
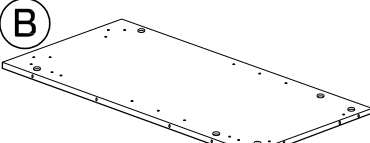
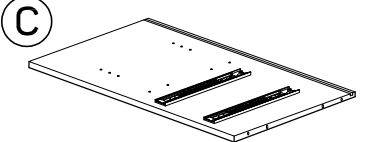
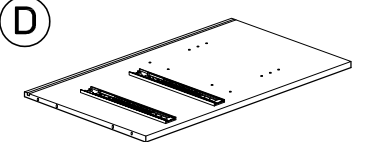
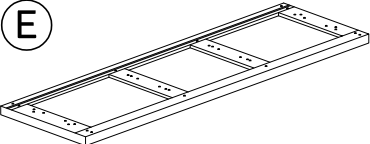
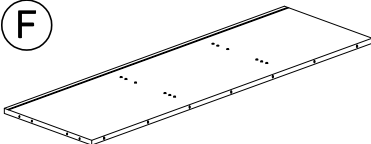
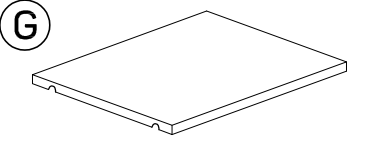
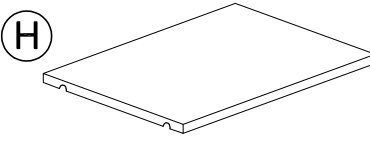
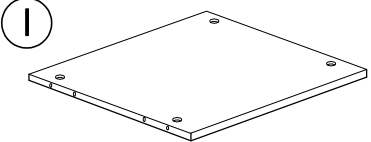
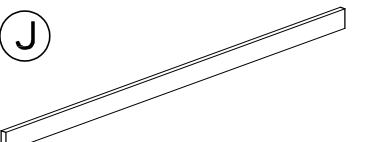
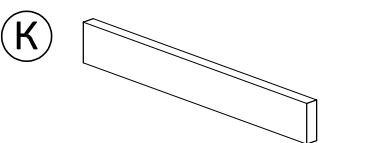
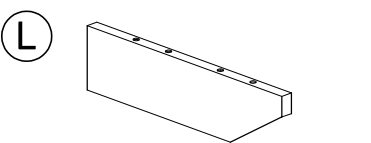
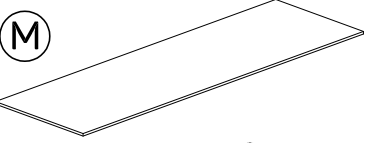
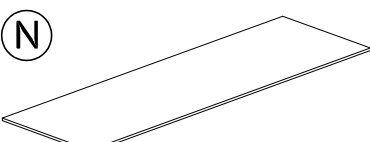
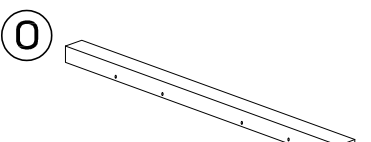
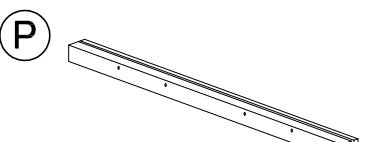
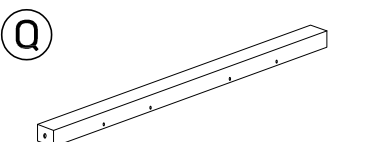
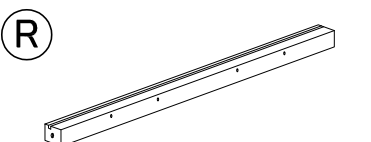
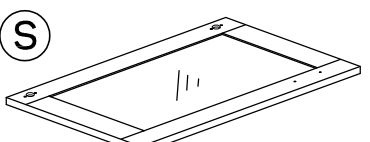
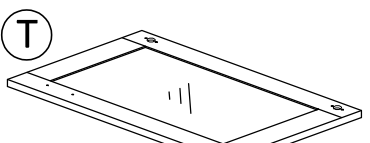
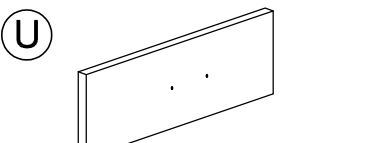
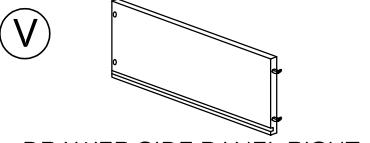
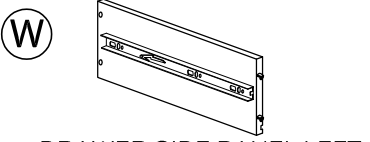
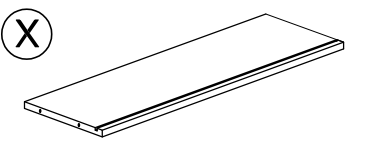
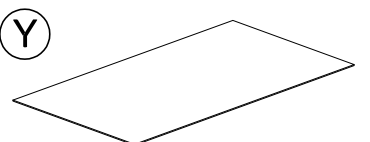
Ethically  
Sourced

Please visit <https://www.theubiquegroup.com/warranty> for complete warranty information.




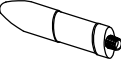






**Read this manual before using this product. Failure to follow the instructions and safety precautions in this manual can result in serious injury or death. Keep this manual in a safe location for future reference.**

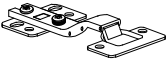


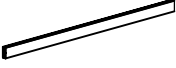





# PARTS LIST



 <p><b>A</b> SIDE PANEL LEFT 1PC</p>	 <p><b>B</b> SIDE PANEL RIGHT 1PC</p>	
 <p><b>C</b> CENTER PANEL LEFT 1PC</p>	 <p><b>D</b> CENTER PANEL RIGHT 1PC</p>	
 <p><b>E</b> TOP PANEL 1PC</p>	 <p><b>F</b> BOTTOM PANEL 1PC</p>	 <p><b>G</b> ADJUSTABLE CENTER 1PC</p>
 <p><b>H</b> ADJUSTABLE LEFT &amp; RIGHT 2PCS</p>	 <p><b>I</b> FIX PANEL 1PC</p>	 <p><b>J</b> FRONT CROSSBAR 1PC</p>
 <p><b>K</b> SIDE CROSSBAR 4PCS</p>	 <p><b>L</b> BOTTOM SUPPORT 2PCS</p>	 <p><b>M</b> BACK PANEL LEFT &amp; RIGHT 4PCS</p>
 <p><b>N</b> BACK PANEL CENTER 2PCS</p>	 <p><b>O</b> FRONT LEG RIGHT 1PC</p>	 <p><b>P</b> BACK LEG RIGHT 1PC</p>
 <p><b>Q</b> FRONT LEG LEFT 1PC</p>	 <p><b>R</b> BACK LEG LEFT 1PC</p>	 <p><b>S</b> DOOR RIGHT 1PC</p>
 <p><b>T</b> DOOR LEFT 1PC</p>	 <p><b>U</b> DRAWER FRONT 2PCS</p>	 <p><b>V</b> DRAWER SIDE PANEL RIGHT 2PCS</p>
 <p><b>W</b> DRAWER SIDE PANEL LEFT 2PCS</p>	 <p><b>X</b> DRAWER BACK PANEL 2PCS</p>	 <p><b>Y</b> DRAWER BOTTOM 2PCS</p>

# HARDWARE LIST

ITEM	DESCRIPTION	QTY
①	0.59" FEMALE CAMLOCK 	32 pcs
②	MALE CAMLOCK 	32 pcs
③	0.24" x 1.18" WOOD DOWEL 	43 pcs
④	GLUE 	2 pcs
⑤	FLOOR GLIDE 	4 pcs
⑥	HANDLE 	4 pcs
⑦	0.16" x 0.79" MACHINE SCREW 	8 pcs
⑧	PLASTIC WEDGE 	12 pcs
⑨	REAR CONNECTOR 	8 pcs
⑩	SHELF PIN 	12 pcs

ITEM	DESCRIPTION	QTY
⑪	7/8 HINGES 	4 pcs
⑫	0.16" x 0.63" FLAT HEAD SCREW 	16 pcs
⑬	0.12" x 0.79" FLAT HEAD SCREW 	12 pcs
⑭	23.5" PVC H 	3 pcs
⑮	0.24" x 0.91" ADJUSTABLE FOOT 	4 pcs
⑯	0.31" x 1.5" FLAT HEAD SCREW 	4 pcs
⑰	0.31" x 1.18" WOOD DOWEL 	4 pcs
⑱	0.14" x 0.98" FLAT HEAD SCREW 	8 pcs
⑲	0.67" STICKER COVER 	20 pcs

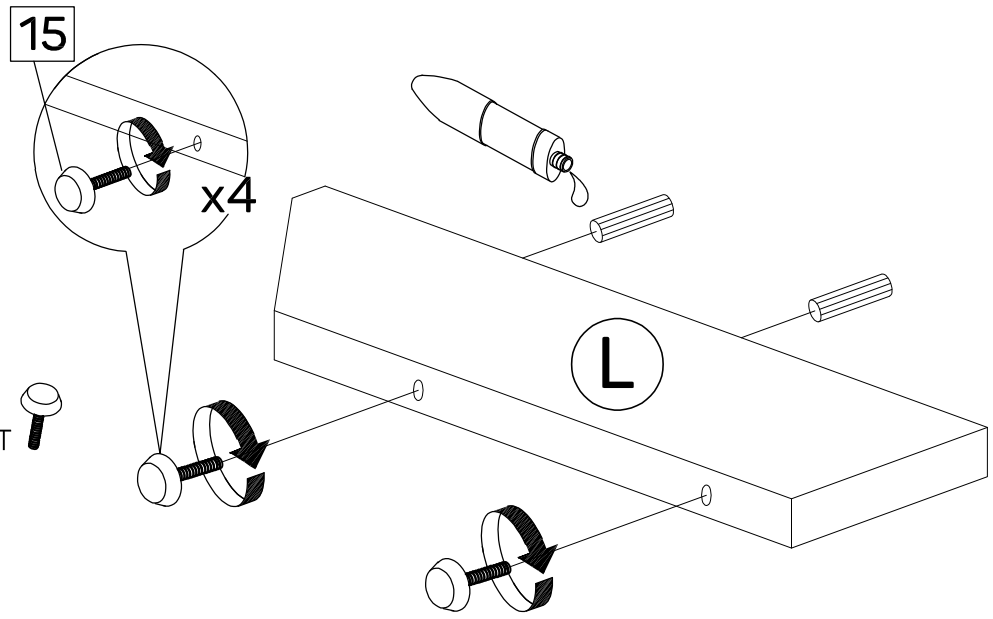
# INSTALLATION

## STEP 1

- ③ 0.24" x 1.18"  
WOOD DOWEL  
4pcs

- ④ GLUE  
1pc

- ⑮ 0.24" x 0.91"  
ADJUSTABLE FOOT  
4pcs



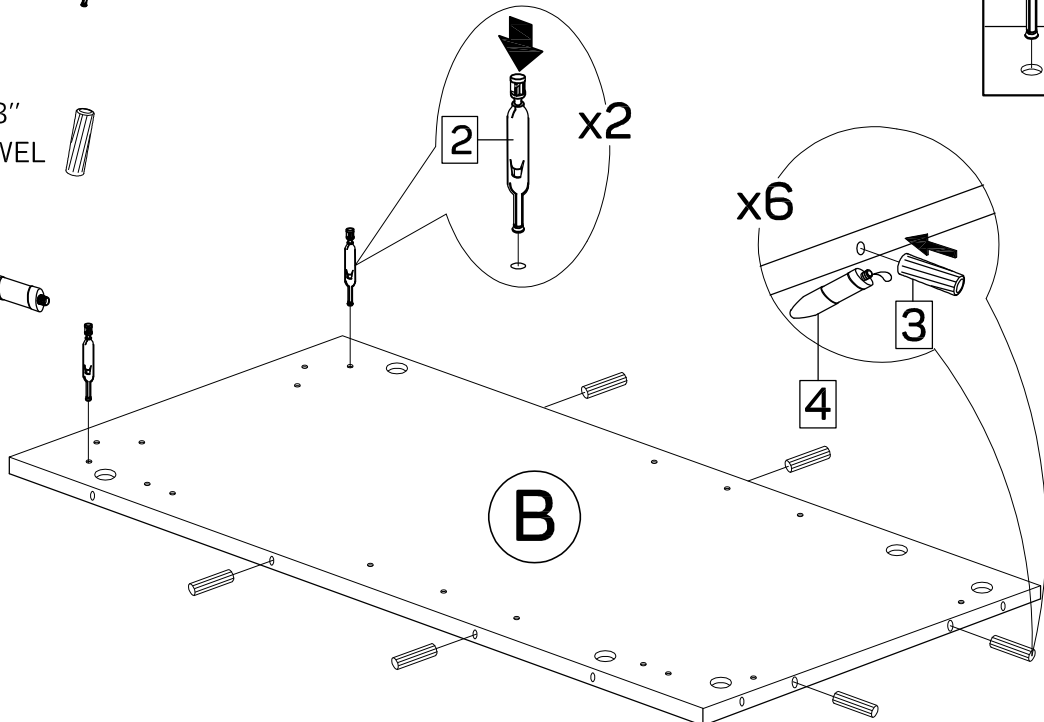
( x2 )

## STEP 2

- ② MALE CAMLOCK  
2pcs

- ③ 0.24" x 1.18"  
WOOD DOWEL  
6pcs

- ④ GLUE  
1pc

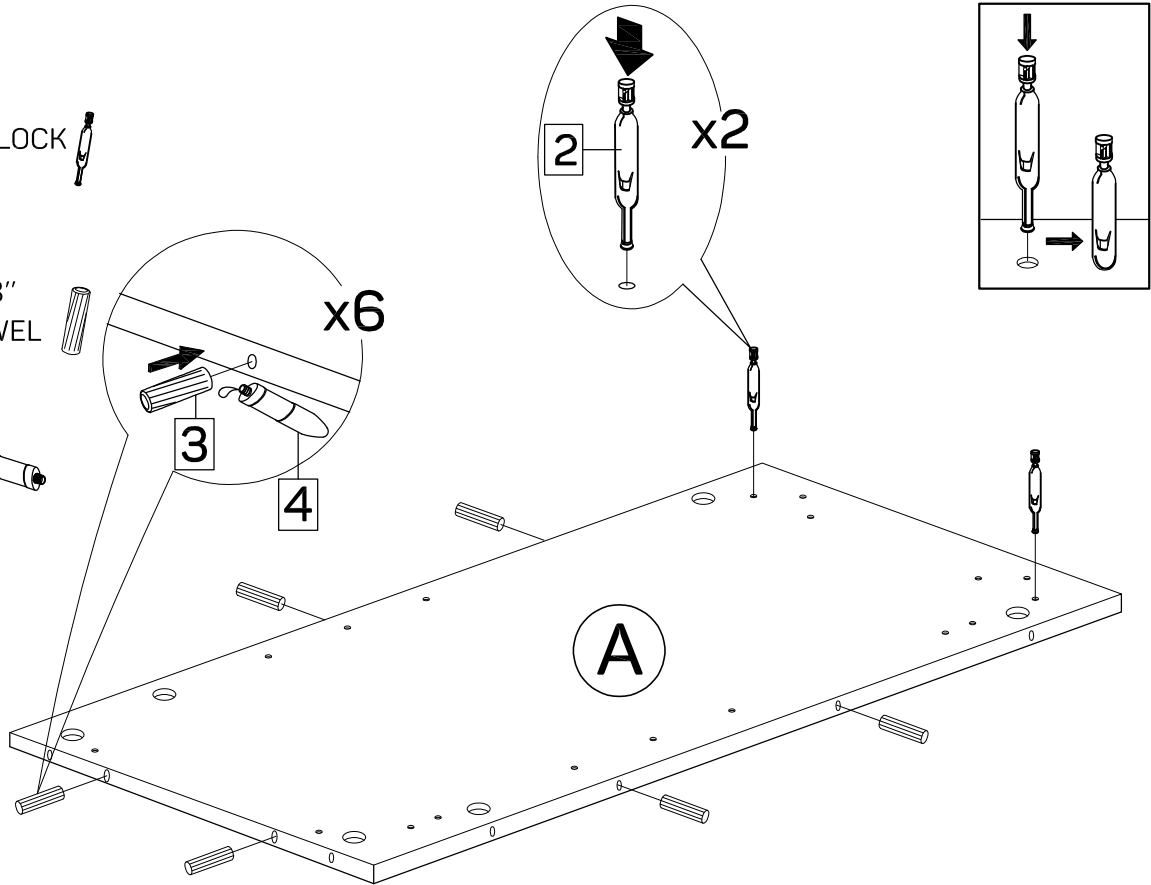


### STEP 3

② MALE CAMLOCK 2pcs

③ 0.24" x 1.18" WOOD DOWEL 6pcs

④ GLUE 1pc

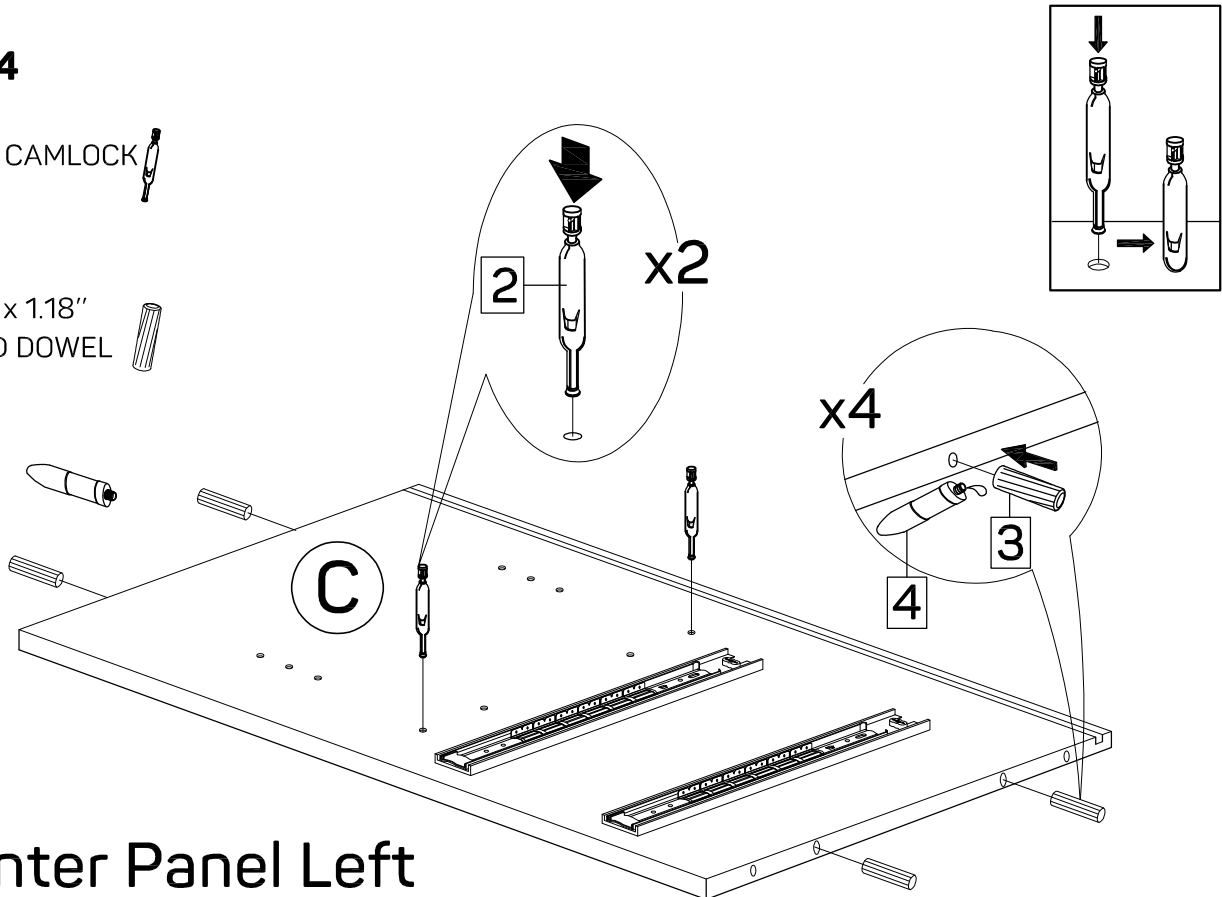


### STEP 4

② MALE CAMLOCK 2pcs

③ 0.24" x 1.18" WOOD DOWEL 4pcs

④ GLUE 1pc



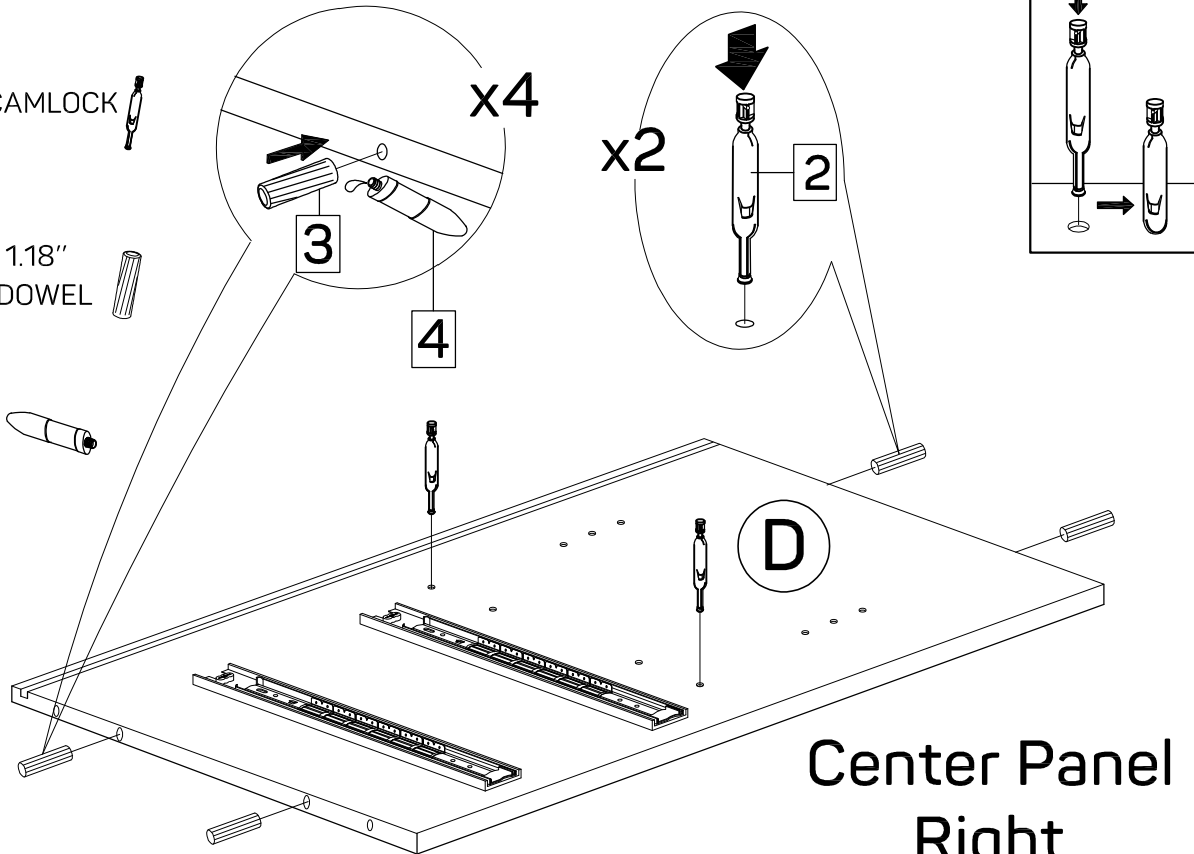
Center Panel Left

### STEP 5

② MALE CAMLOCK 2pcs

③ 0.24" x 1.18" WOOD DOWEL 4pcs

④ GLUE 1pc

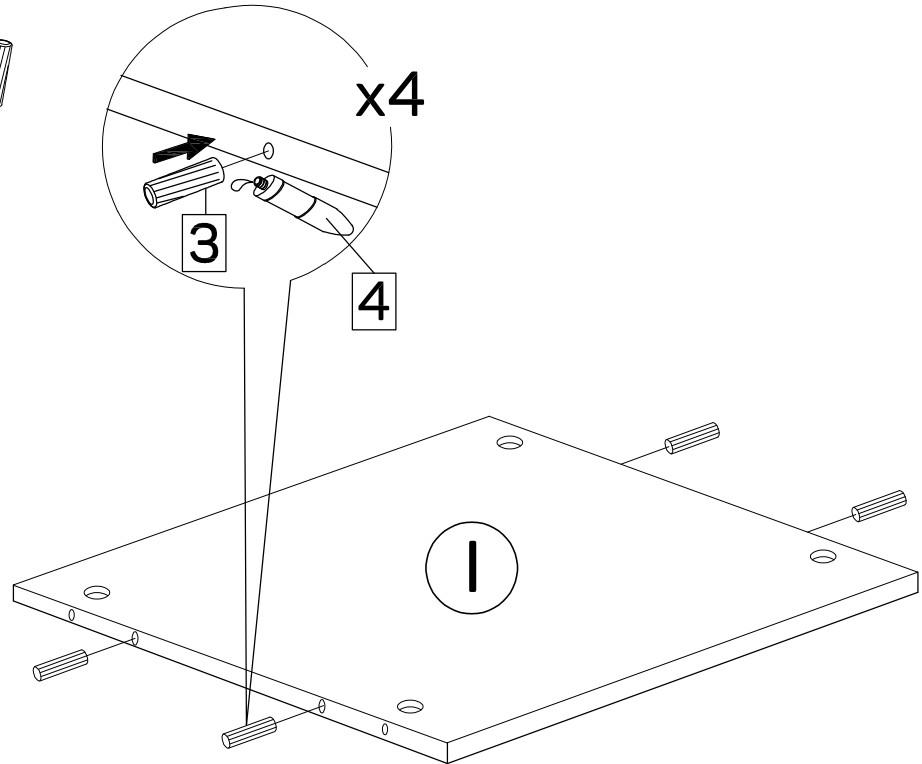


Center Panel Right

### STEP 6

③ 0.24" x 1.18" WOOD DOWEL 4pcs

④ GLUE 1pc

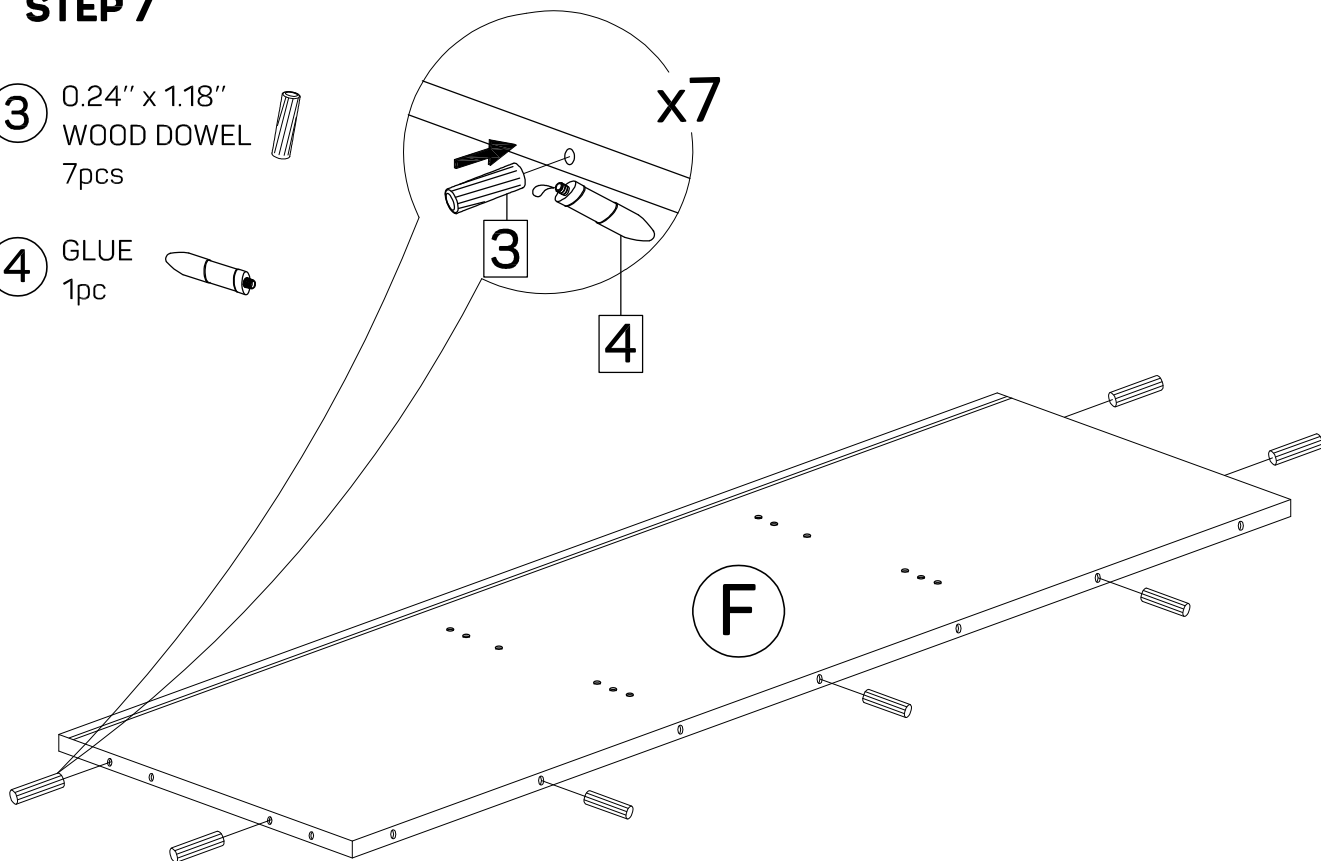


Center Panel Left

### STEP 7

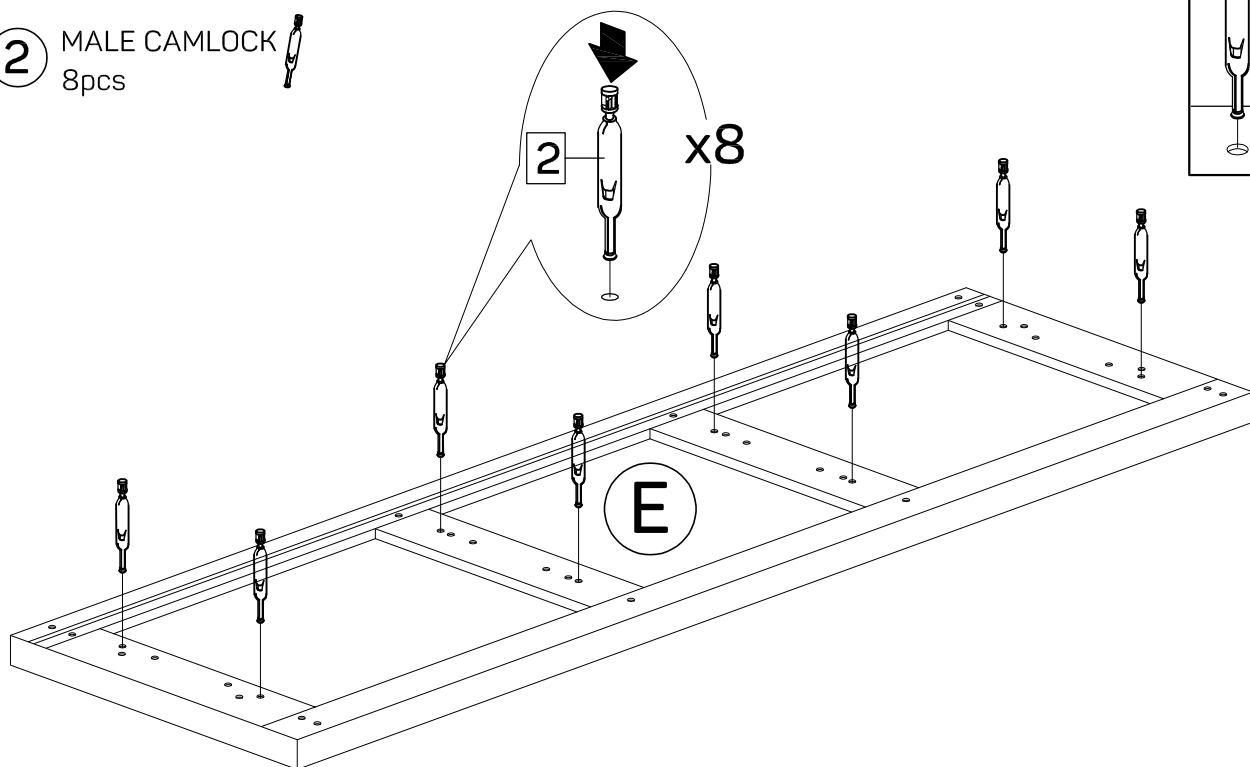
- ③ 0.24" x 1.18" WOOD DOWEL 7pc

- ④ GLUE 1pc



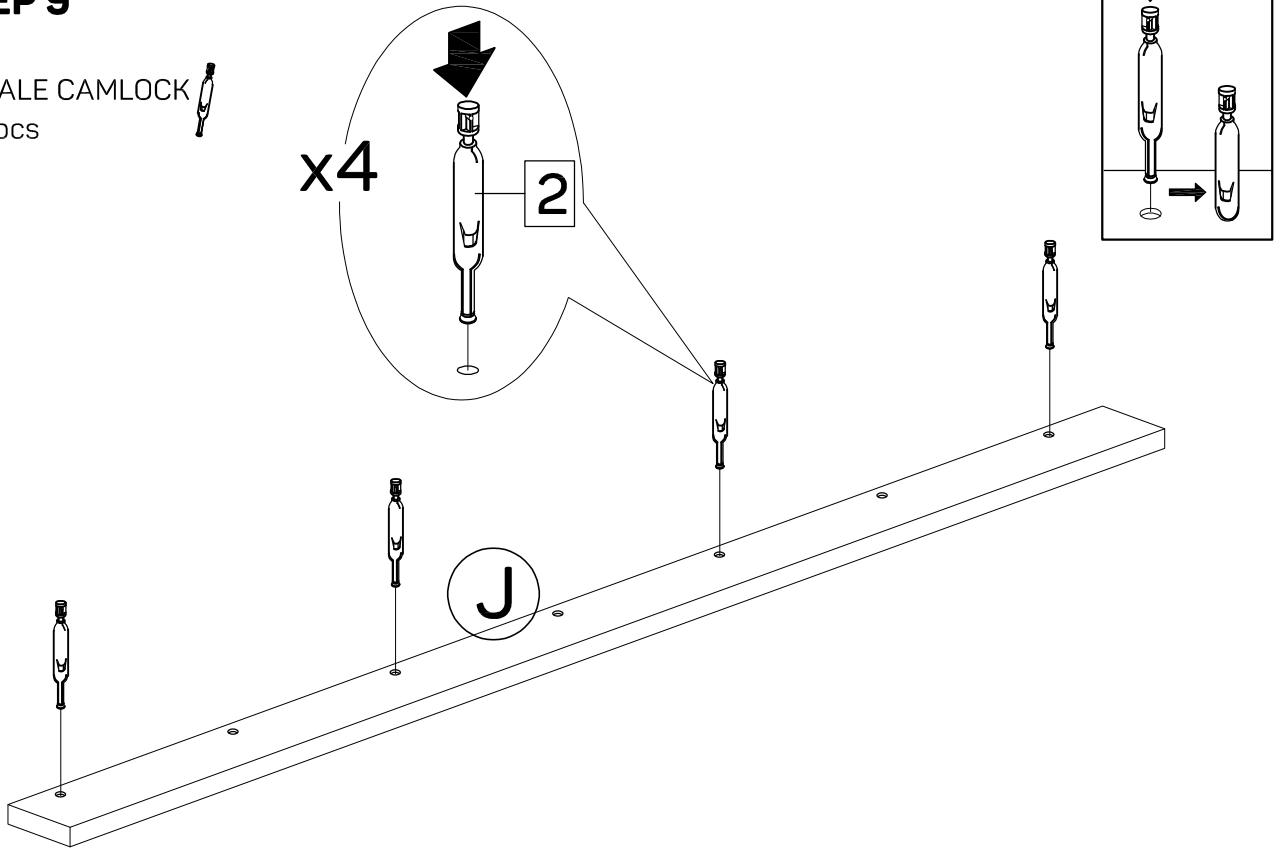
### STEP 8

- ② MALE CAMLOCK 8pc



## STEP 9

② MALE CAMLOCK  
4pcs

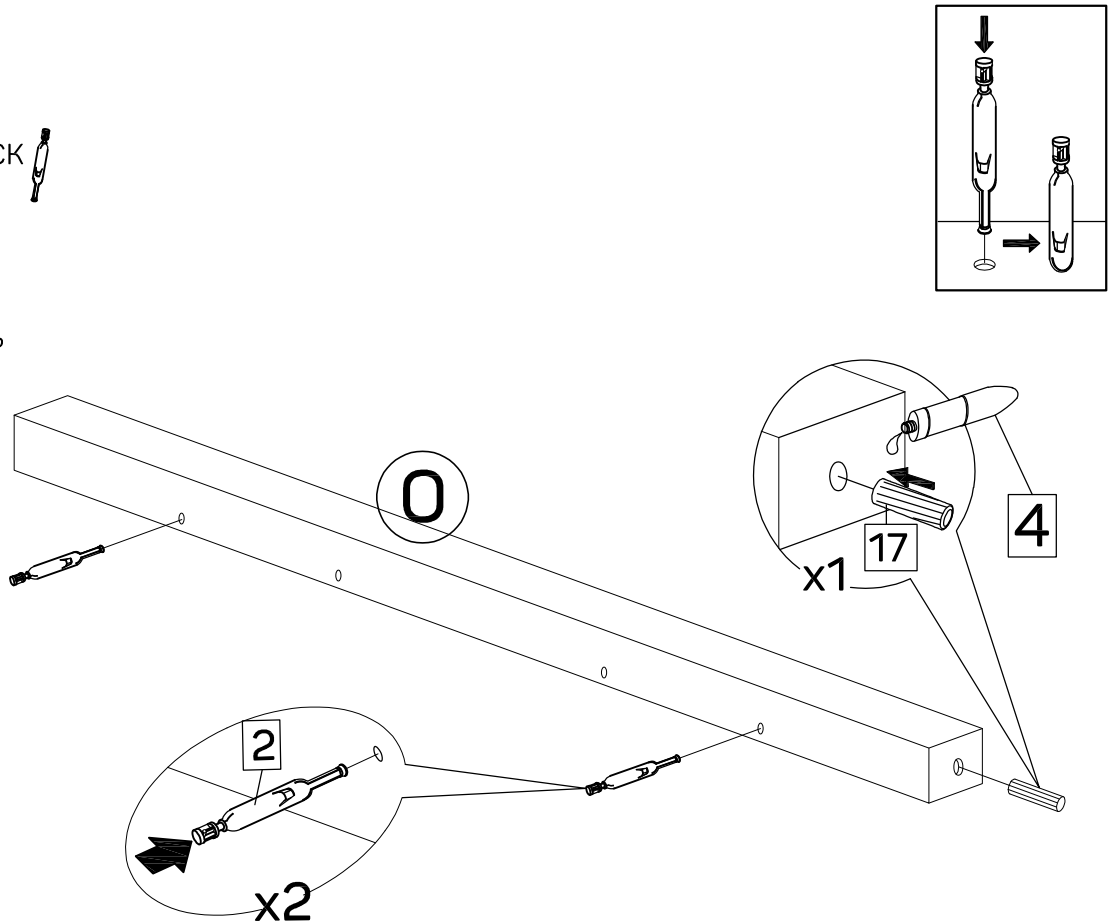


## STEP 10

② MALE CAMLOCK  
2pcs

④ GLUE  
1pc

⑰ 0.31" x 1.18"  
WOOD DOWEL  
1pc

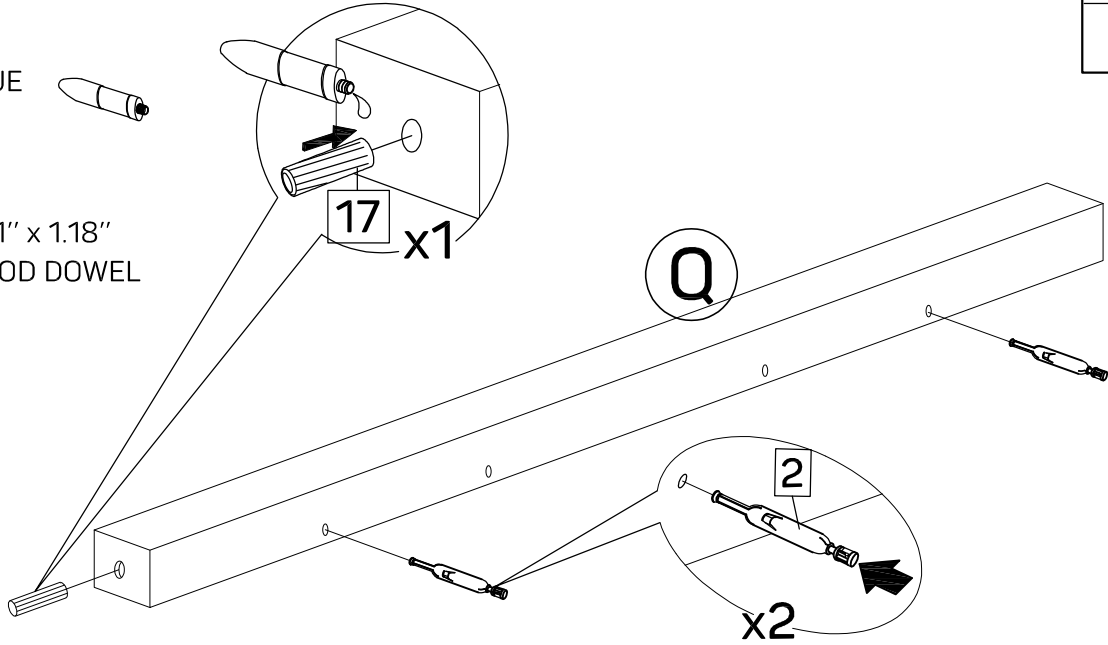


## STEP 11

② MALE CAMLOCK  
2pcs

④ GLUE  
1pc

①⑦ 0.31" x 1.18"  
WOOD DOWEL  
1pc

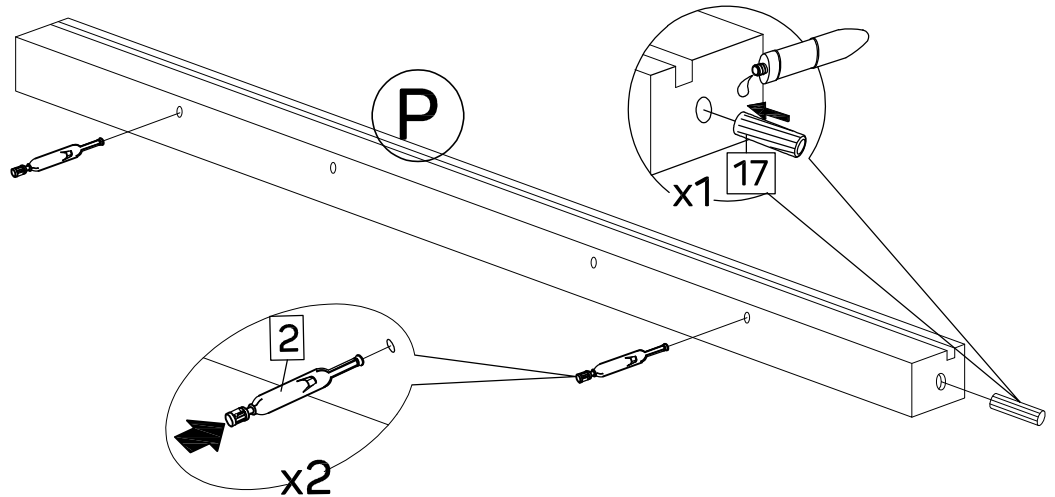


## STEP 12

② MALE CAMLOCK  
2pcs

④ GLUE  
1pc

①⑦ 0.31" x 1.18"  
WOOD DOWEL  
1pc

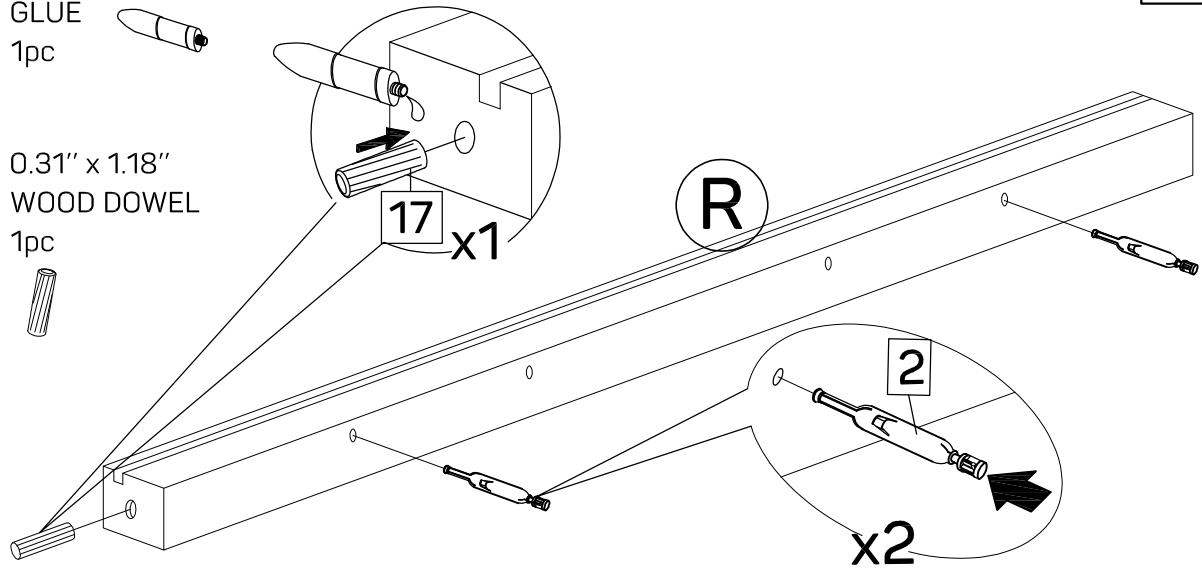


### STEP 13

② MALE LOCK  
2pcs

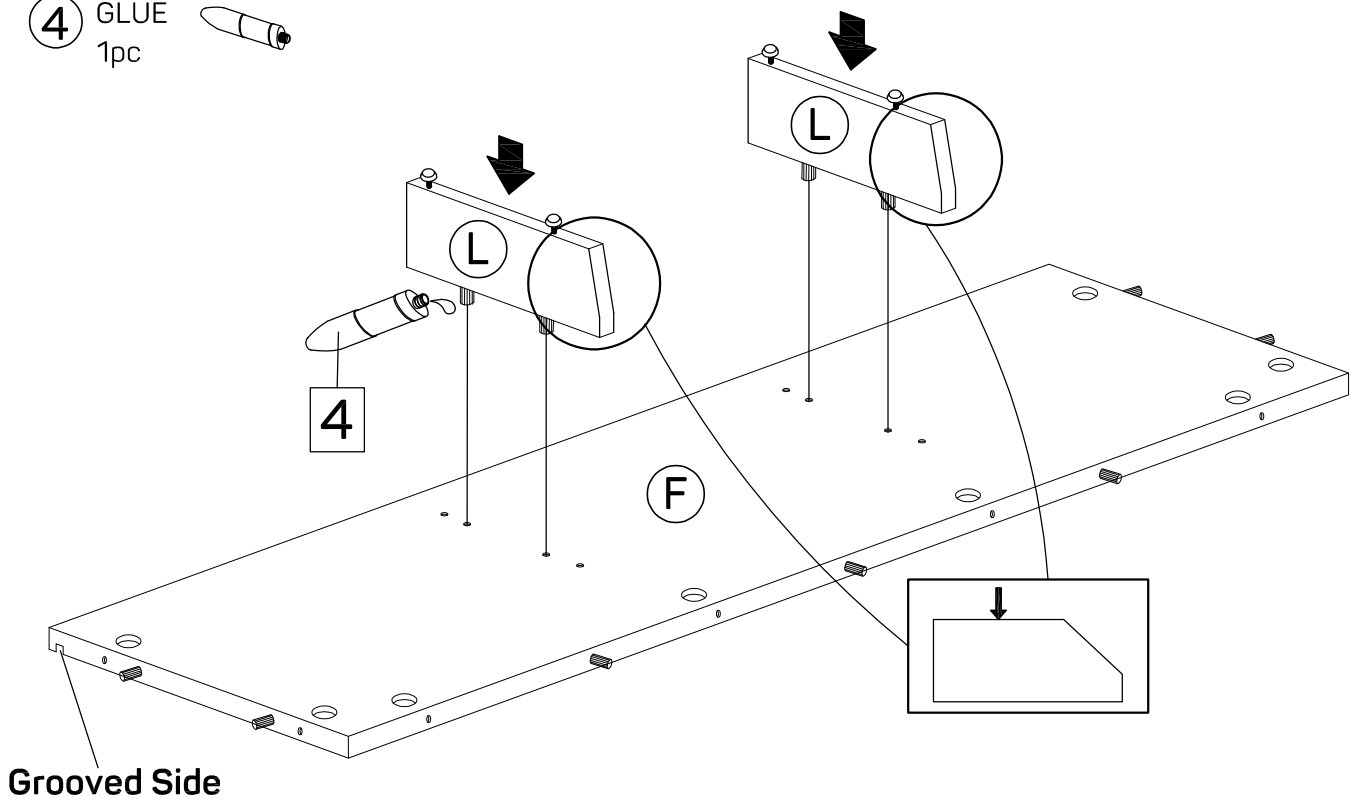
④ GLUE  
1pc

⑰ 0.31" x 1.18"  
WOOD DOWEL  
1pc



### STEP 14

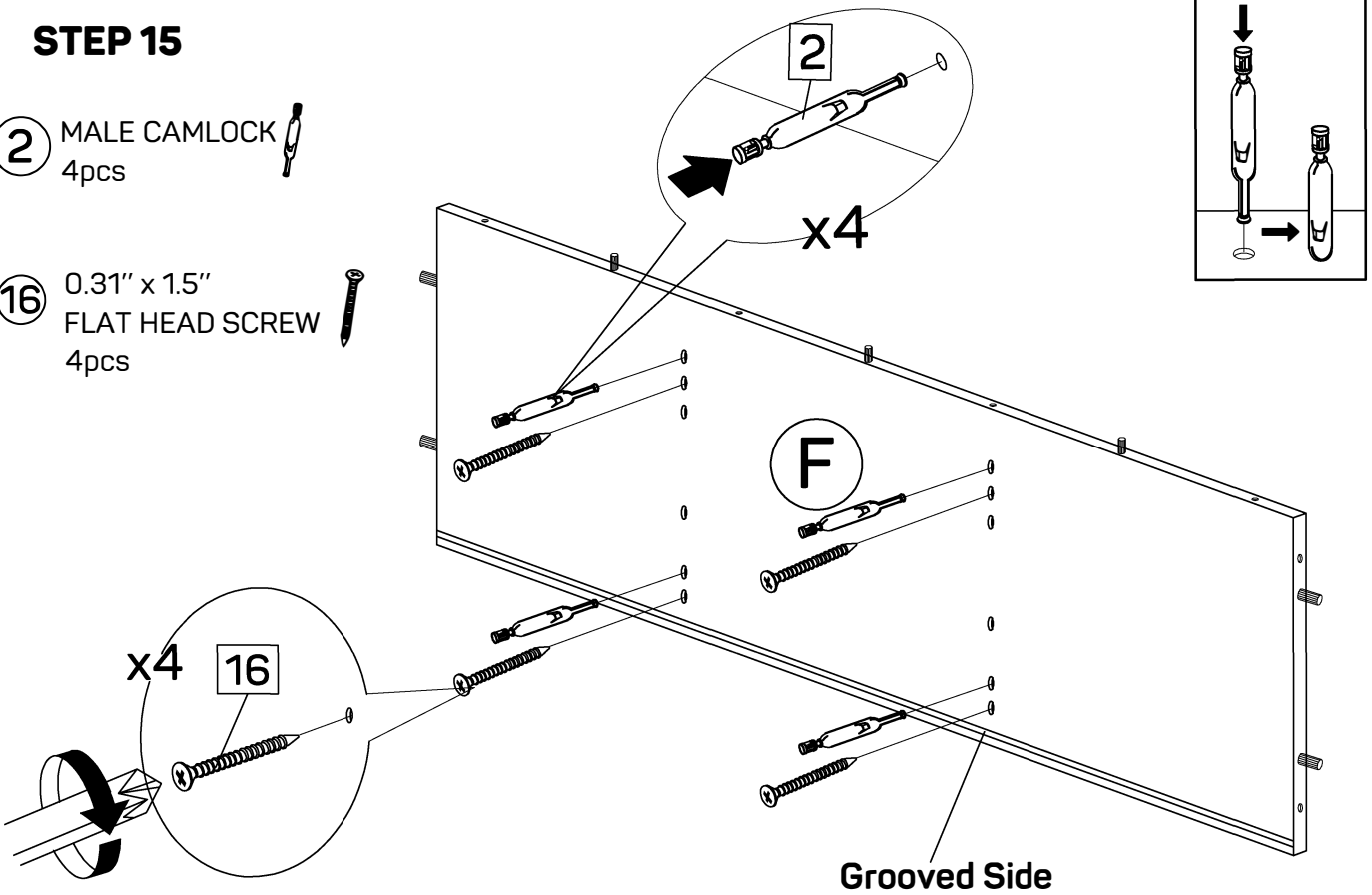
④ GLUE  
1pc



### STEP 15

② MALE CAMLOCK  
4pcs

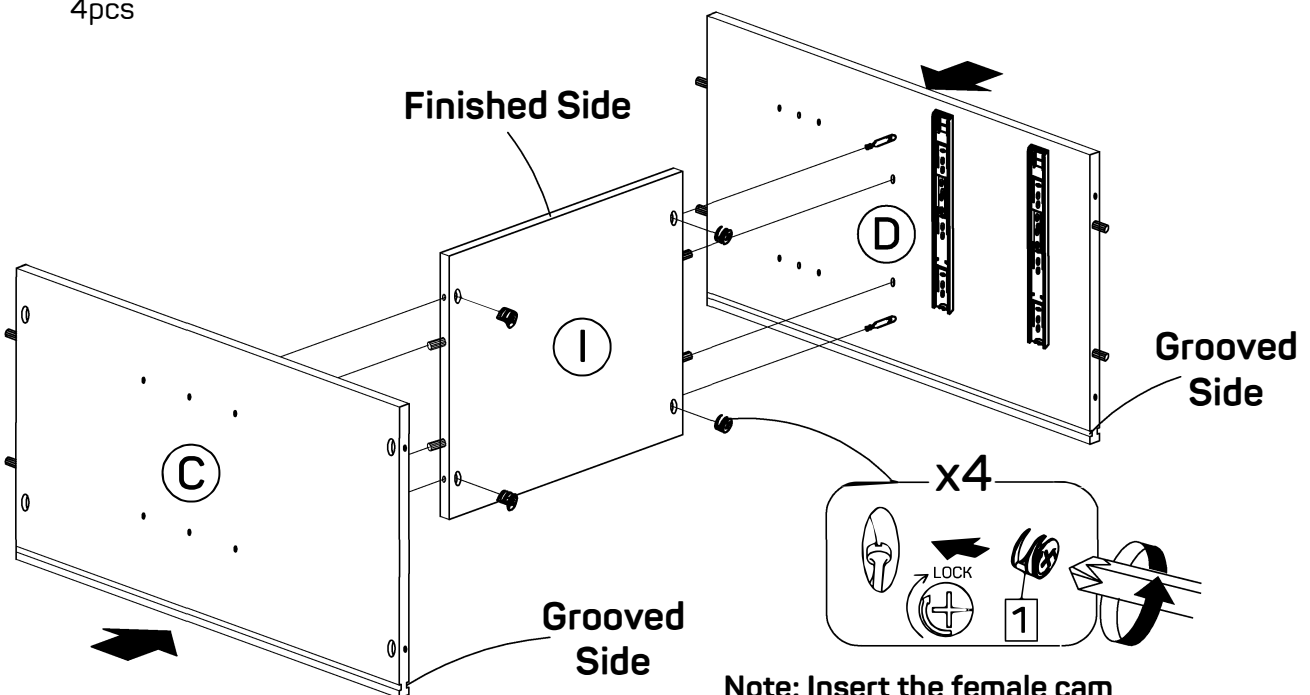
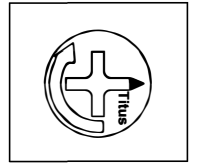
⑯ 0.31" x 1.5"  
FLAT HEAD SCREW  
4pcs



### STEP 16

① 0.59"  
FEMALE CAMLOCK  
4pcs

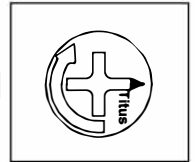
Arrow position on the  
cam lock is facing panel  
(C) and (D)



**Note:** Insert the female cam  
locks first on panel (I) before  
attaching panels (C) and (D).

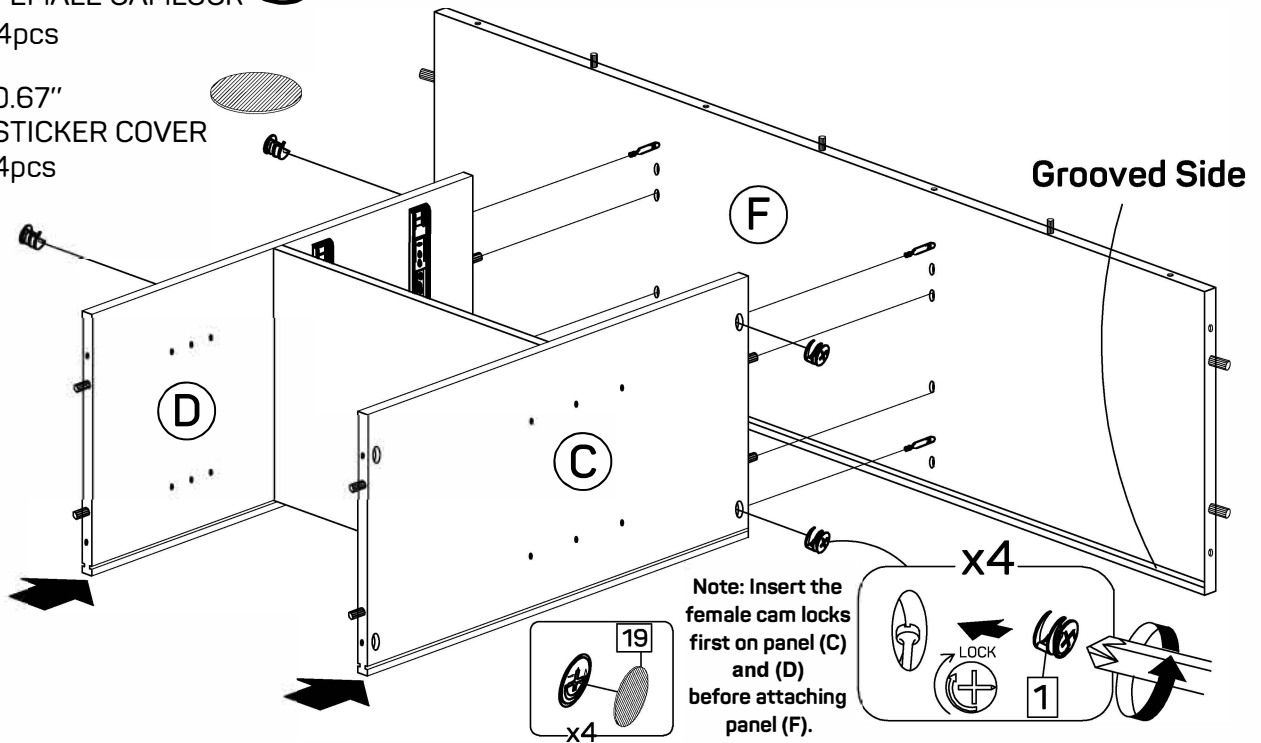
## STEP 17

Arrow position on the  
cam lock is facing panel  
(F)



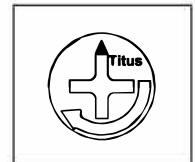
- ① 0.59" FEMALE CAMLOCK 4pcs

- ⑱ 0.67" STICKER COVER 4pcs

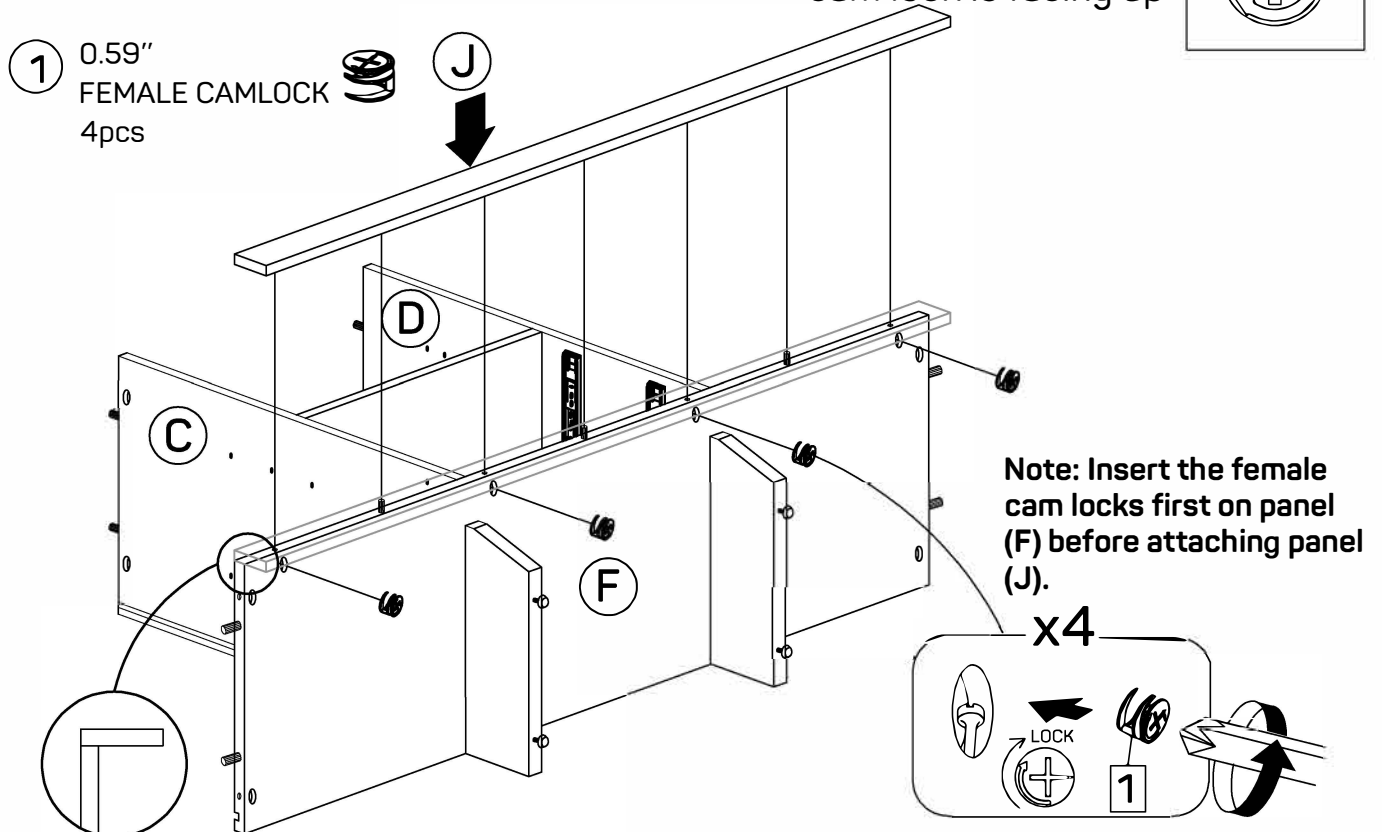


## STEP 18

Arrow position on the  
cam lock is facing up

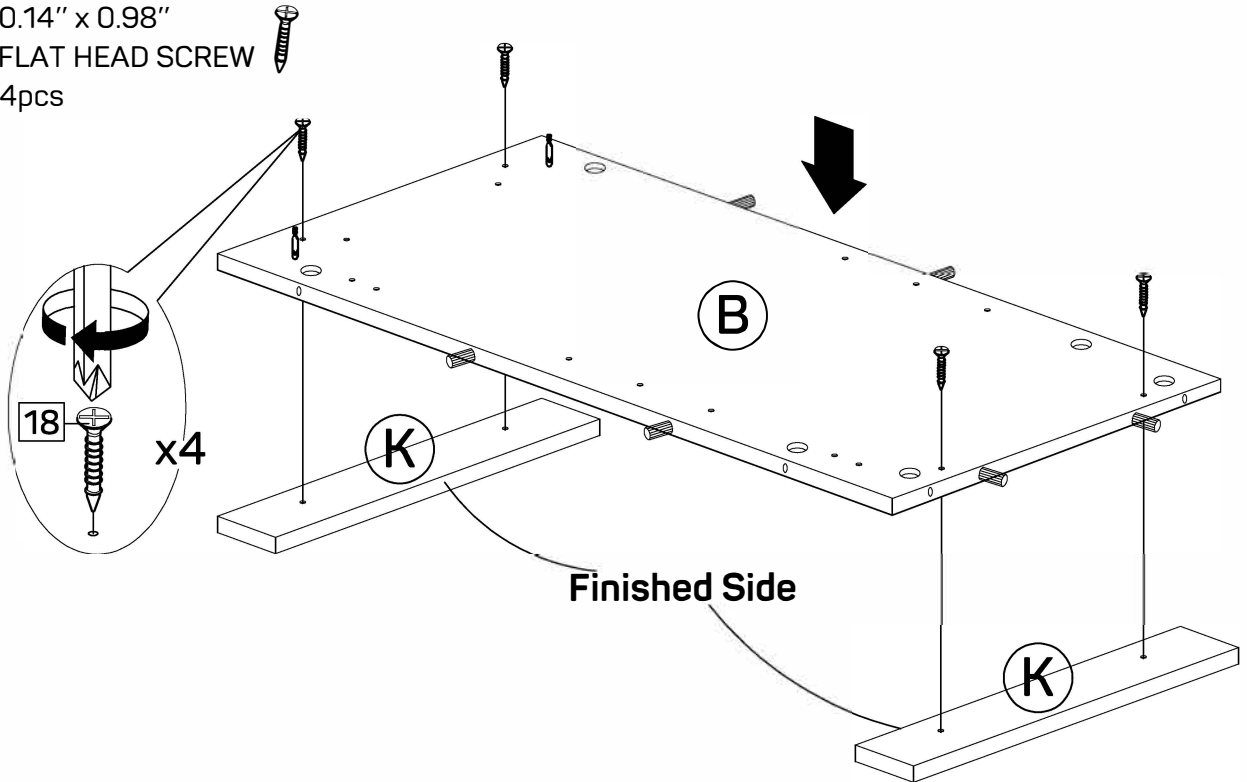


- ① 0.59" FEMALE CAMLOCK 4pcs



## STEP 19

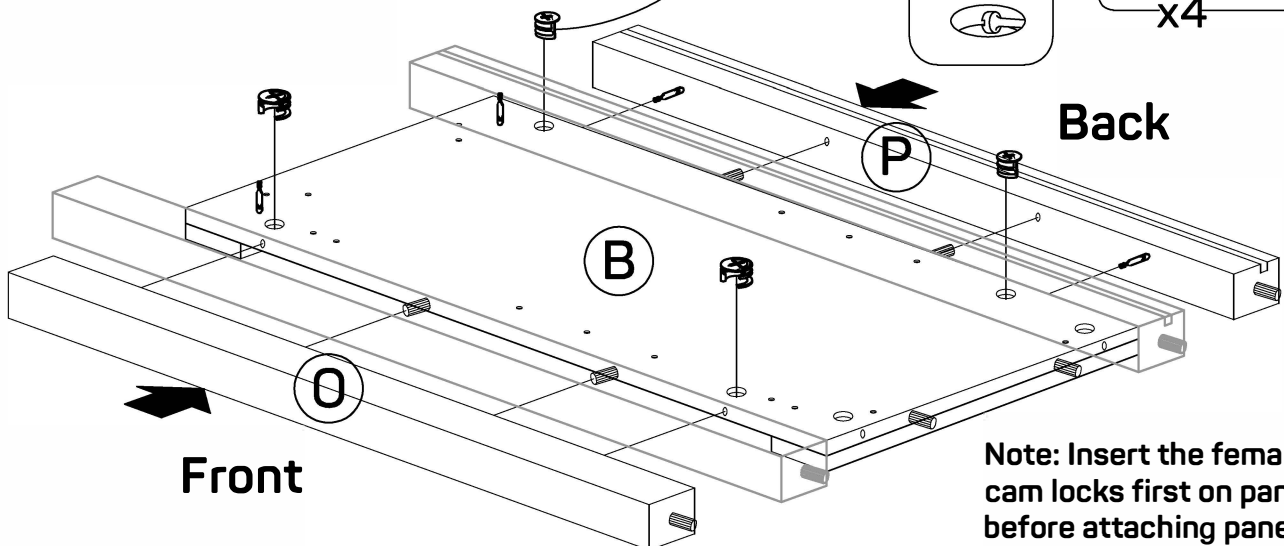
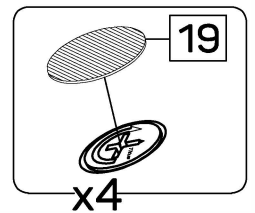
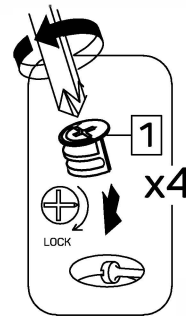
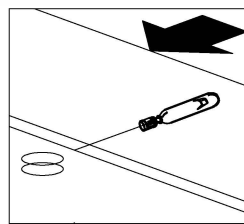
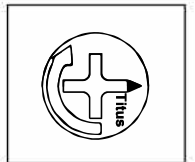
- ⑱ 0.14" x 0.98"  
FLAT HEAD SCREW  
4pcs



## STEP 20

- ① 0.59"  
FEMALE CAMLOCK  
4pcs
- ⑲ 0.67"  
STICKER COVER  
4pcs

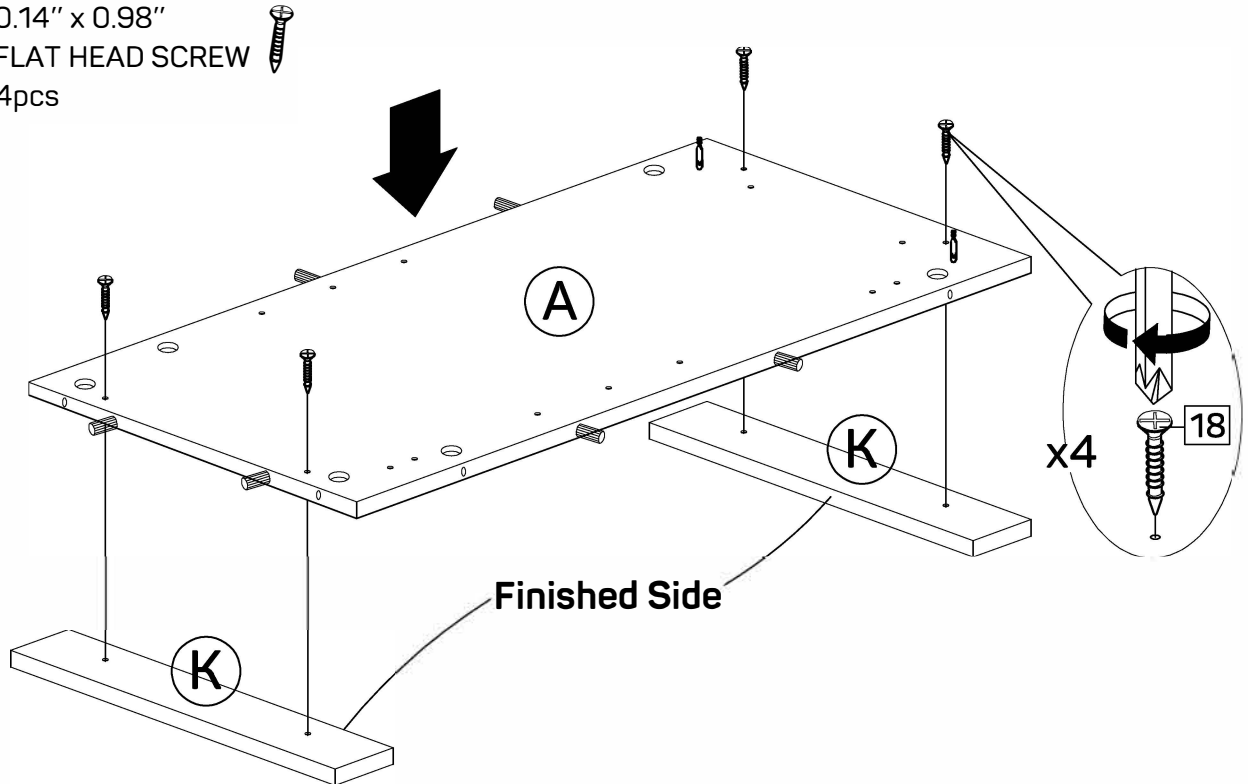
Arrow position on the  
cam lock is facing panel  
(O) & (P)



Note: Insert the female  
cam locks first on panel (B)  
before attaching panels (P)  
and (O).

## STEP 21

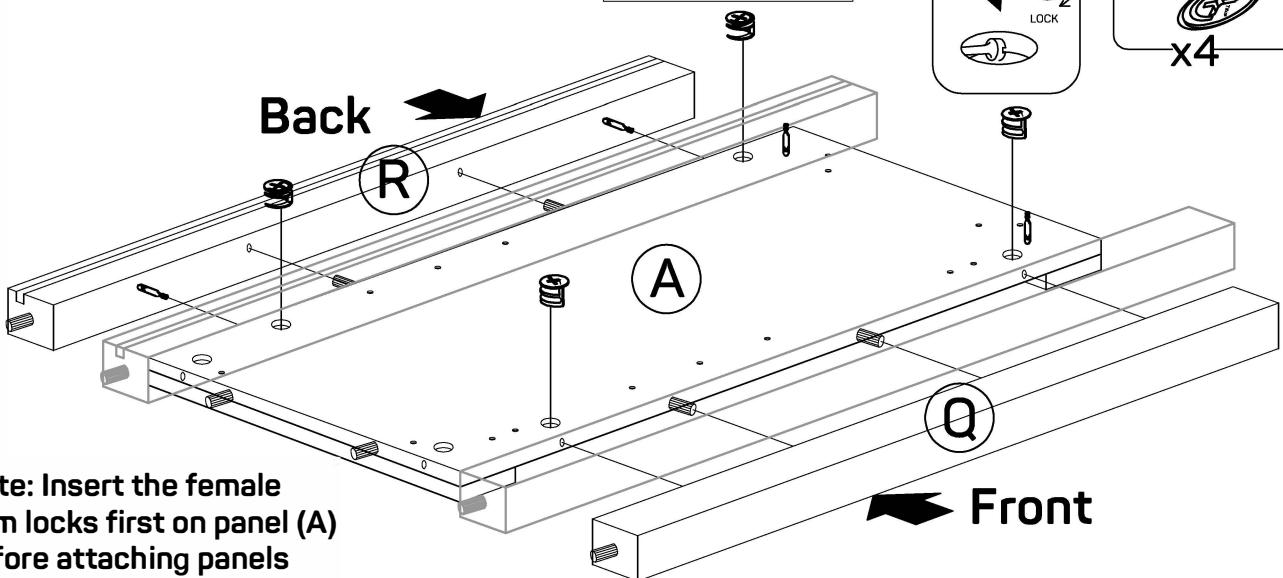
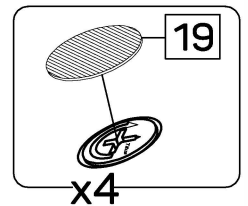
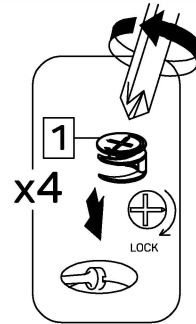
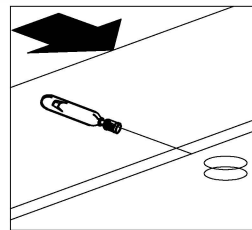
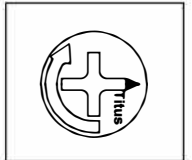
- ⑱ 0.14" x 0.98"  
FLAT HEAD SCREW  
4pcs



## STEP 22

- ① 0.59"  
FEMALE CAMLOCK  
4pcs
- ⑲ 0.67"  
STICKER COVER  
4pcs

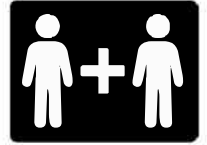
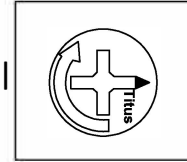
Arrow position on the  
cam lock is facing panel  
(Q) & (R)



**Note:** Insert the female  
cam locks first on panel  
(A)  
before attaching panels  
(Q) and (R).

### STEP 23

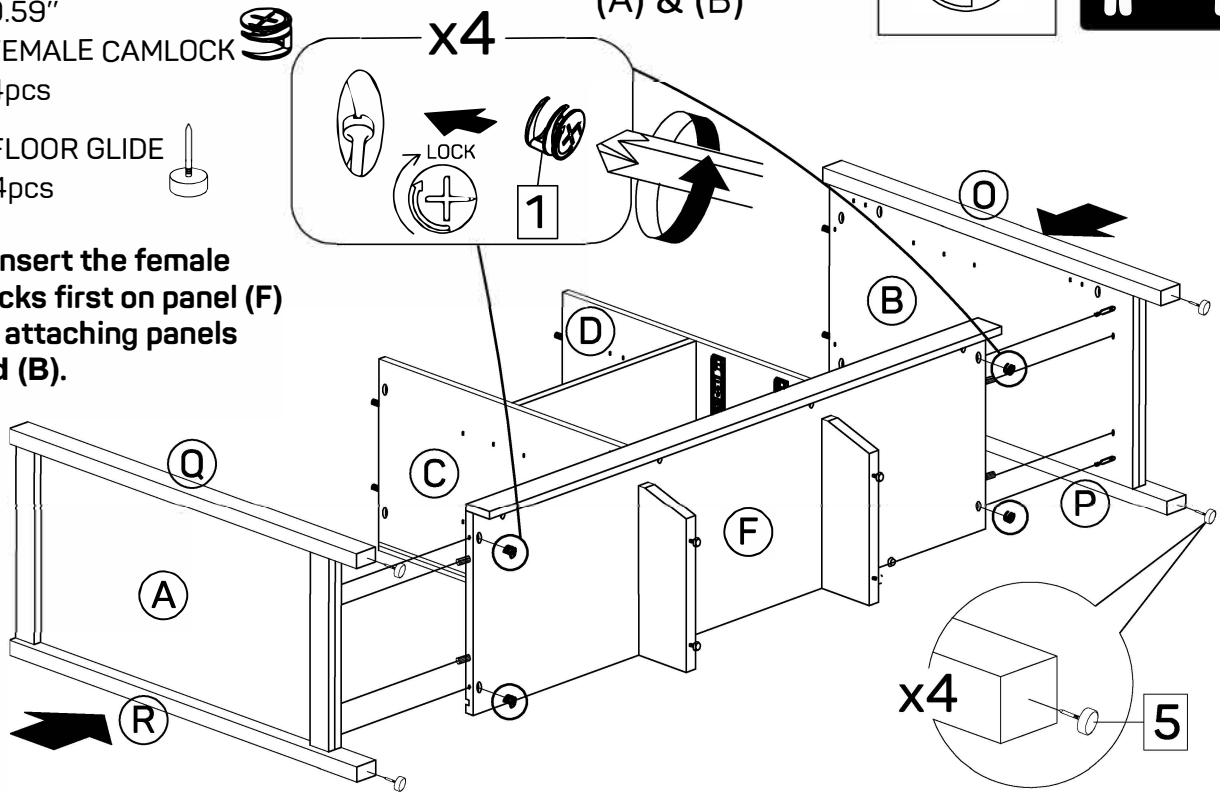
Arrow position on the cam lock is facing panel (A) & (B)



- ① 0.59" FEMALE CAMLOCK 4pcs

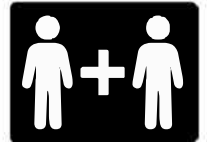
- ⑤ FLOOR GLIDE 4pcs

**Note:** Insert the female cam locks first on panel (F) before attaching panels (A) and (B).



### STEP 24

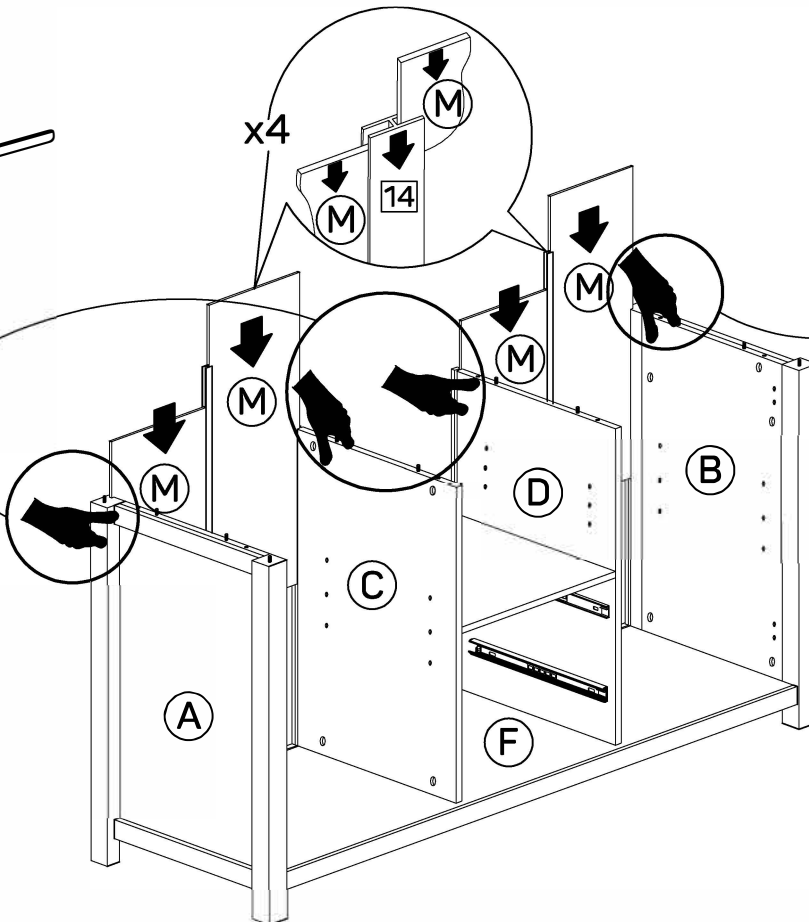
- ⑭ 23.5" PVC H 2pcs



**2 Person Lift Required**

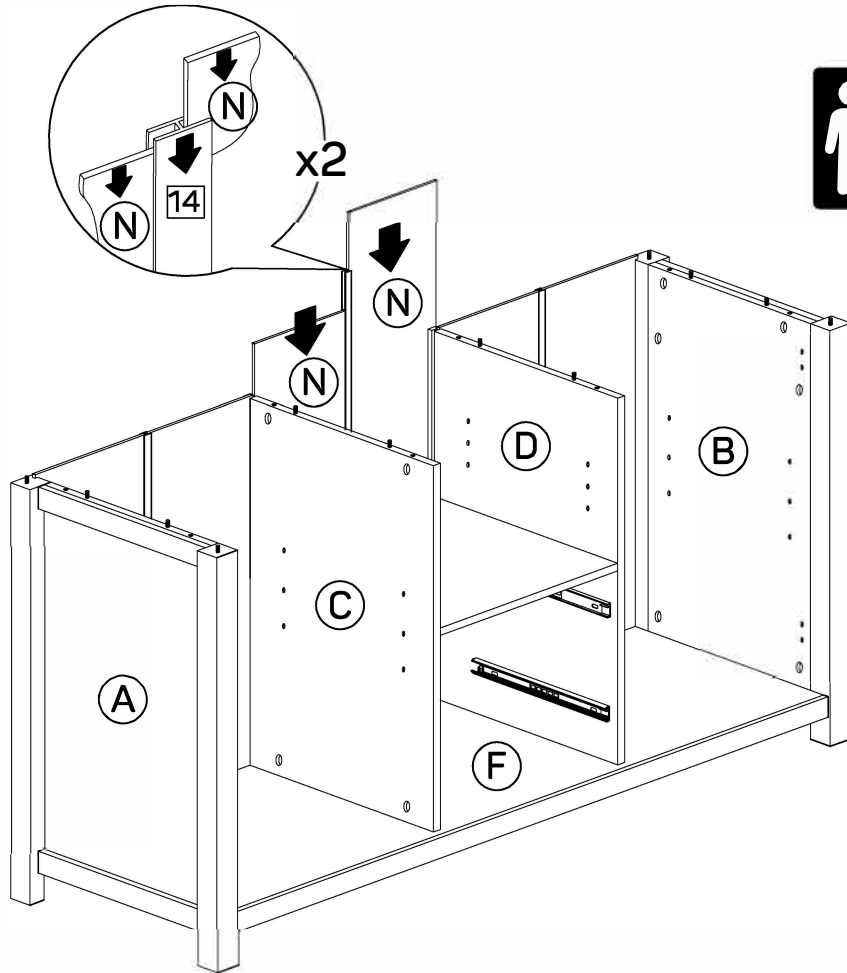
**NOTE:** Only lift from these sides to bring cabinet upright.

**NOTE:** Only lift from these sides to bring cabinet upright.



### STEP 25

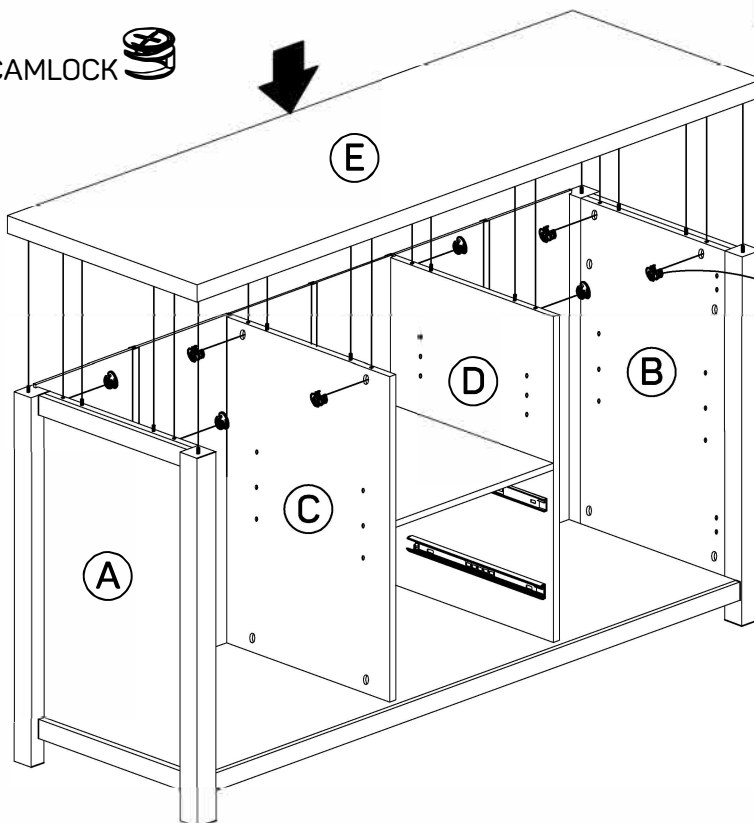
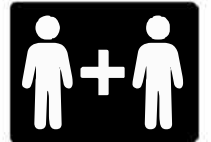
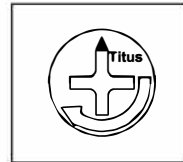
- ① 23.5" PVC H  
1pc



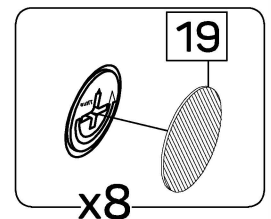
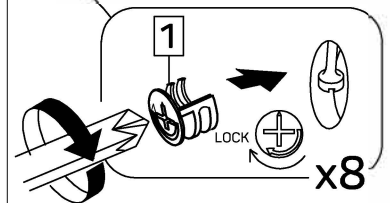
### STEP 26

Arrow position on the cam lock is facing up

- ① 0.59" FEMALE CAMLOCK  
8pcs



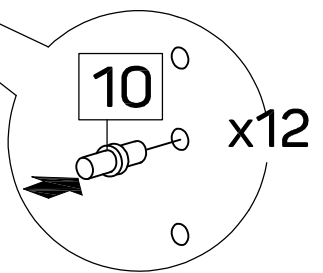
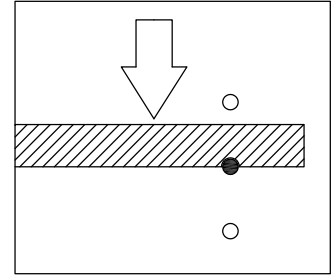
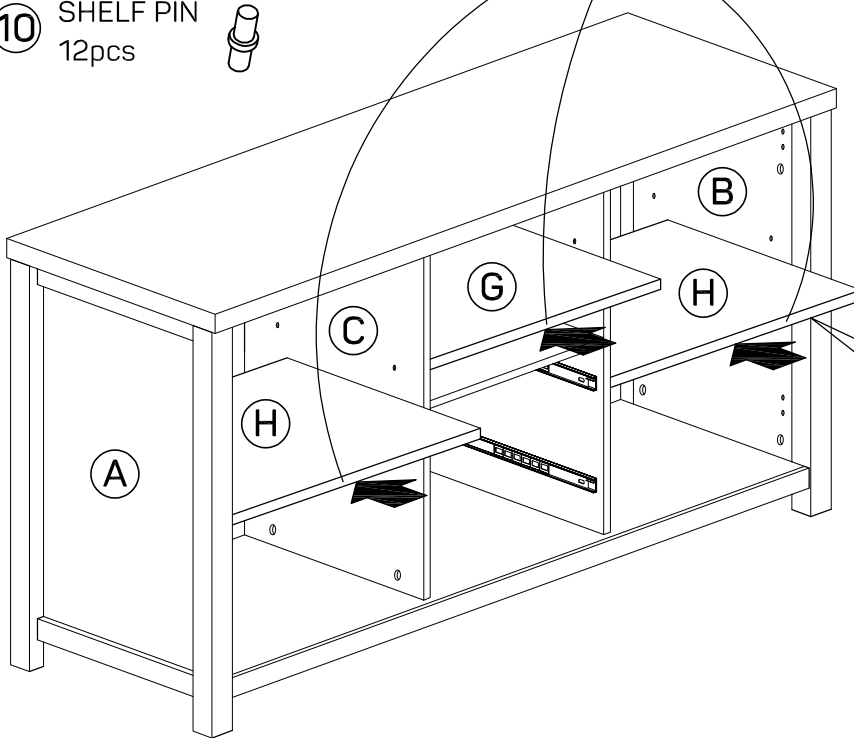
Note: Insert the female cam locks first on panels (A), (B), (C) and (D) before attaching panel (E).



## STEP 27

Finished Edge

- ⑩ SHELF PIN  
12pcs



## STEP 28

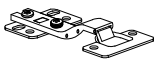
- ⑥ HANDLE  
1pc



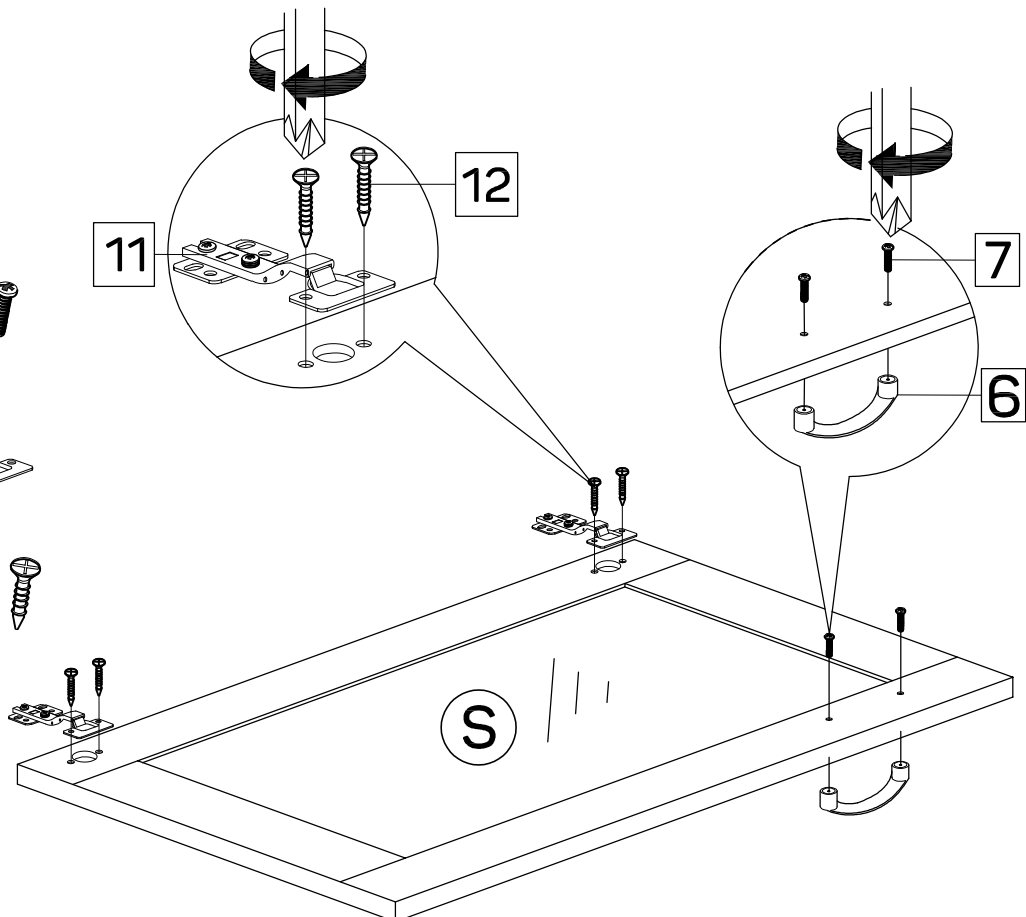
- ⑦ 0.16" x 0.79"  
MACHINE SCREW  
2pcs



- ⑪ 7/8  
HINGES  
2pcs



- ⑫ 0.16" x 0.63"  
FLAT HEAD SCREW  
4pcs



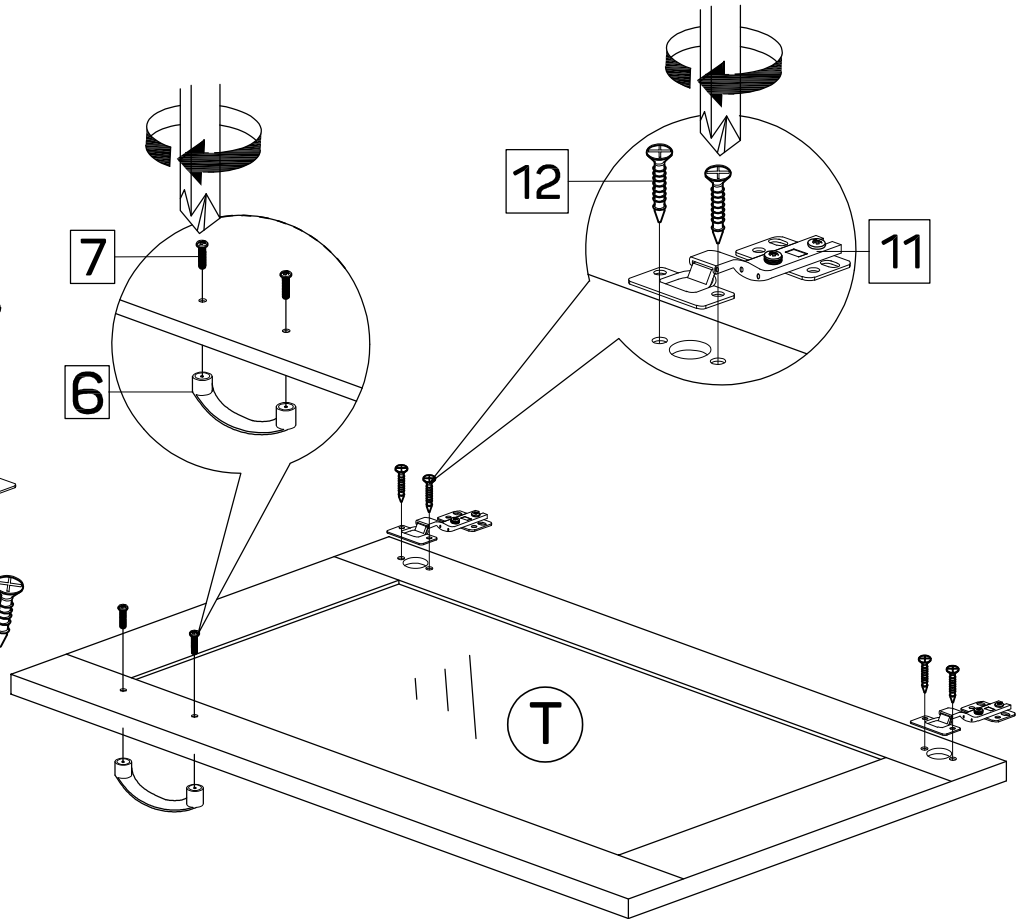
## STEP 29

⑥ HANDLE  
1pc

⑦ 0.16" x 0.79"  
MACHINE SCREW  
2pcs

⑪ 7/8  
HINGES  
2pcs

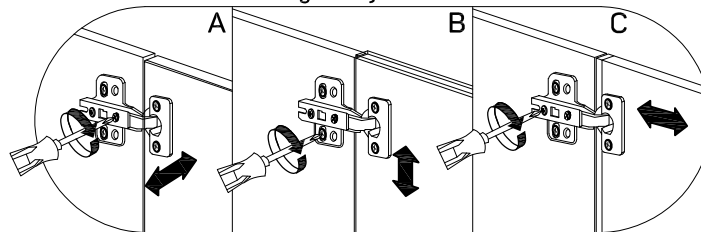
⑫ 0.16" x 0.63"  
FLAT HEAD SCREW  
4pcs



## Hinges Adjustment

## STEP 30

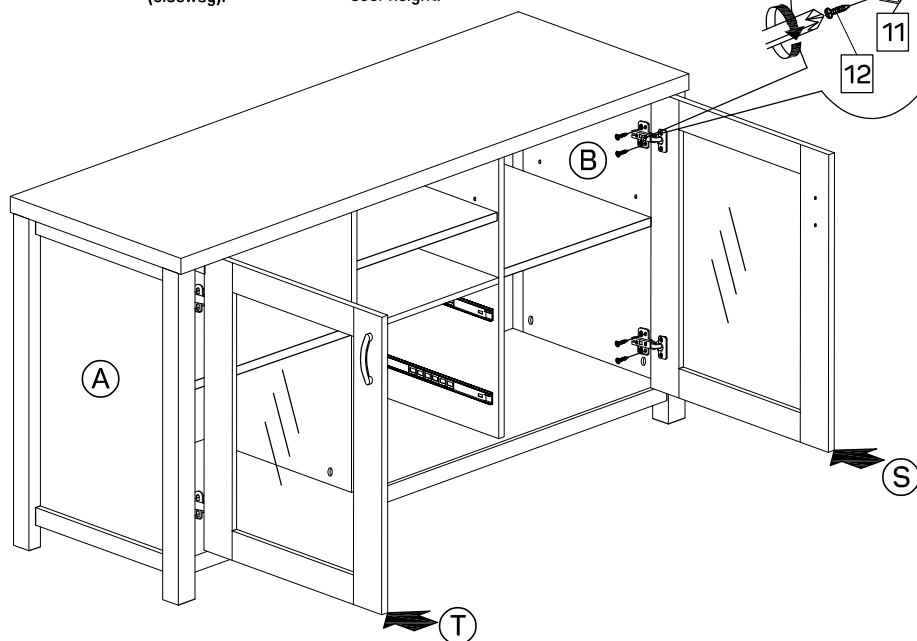
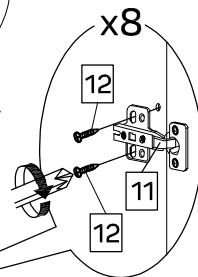
⑫ 0.16" x 0.63"  
FLAT HEAD SCREW  
8pcs



A. Turn front screw to adjust door overlay (sideway).

B. Rotate cam screw on mounting plate to adjust door height.

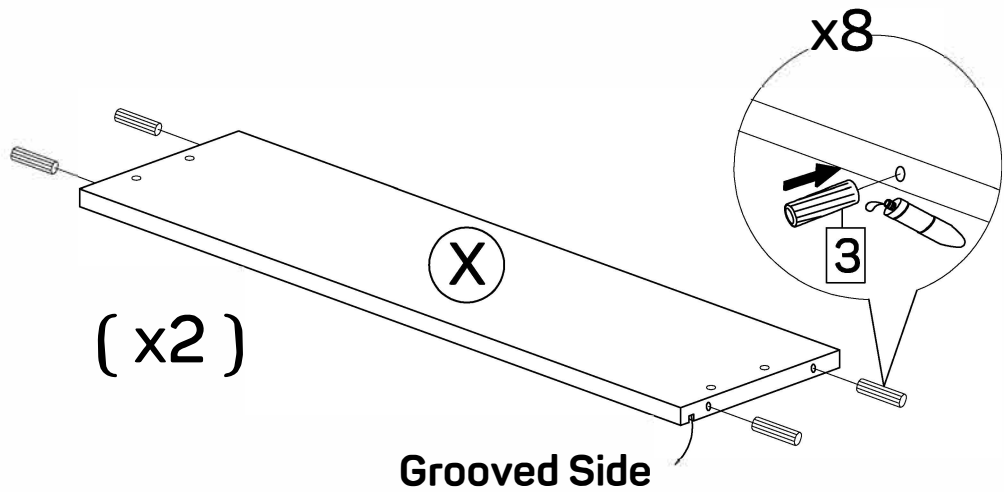
C. Turn rear screw for door depth adjustment.



### STEP 31

- ③ 0.24" x 1.18"  
WOOD DOWEL  
8pcs

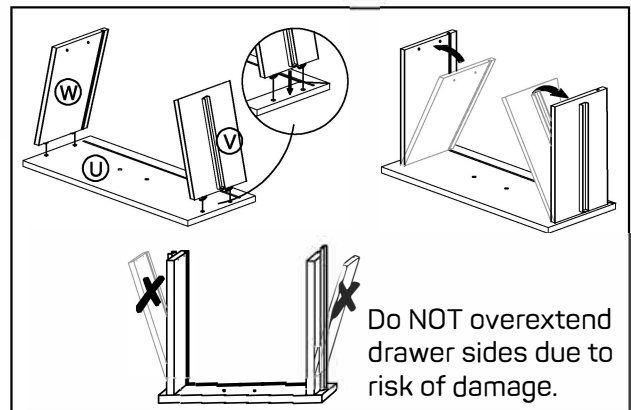
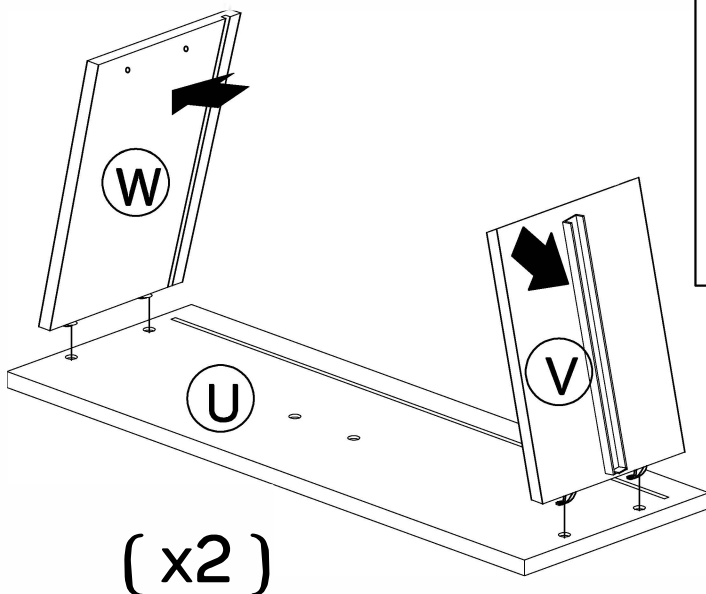
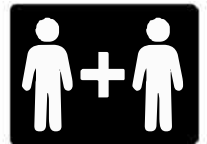
- ④ GLUE  
1pc



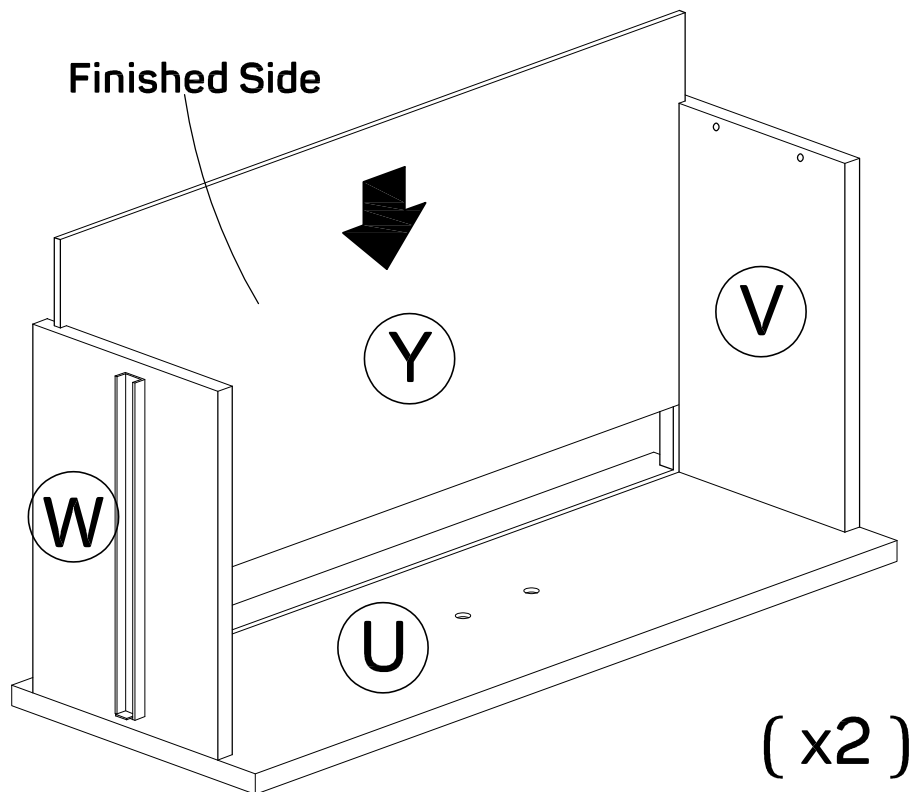
### STEP 32

Insert the hooks of drawer side panels (V) and (W) into the drawer front (U) holes at a 45° angle. While keeping slight downward pressure, adjust boards outward to full 90° angle.

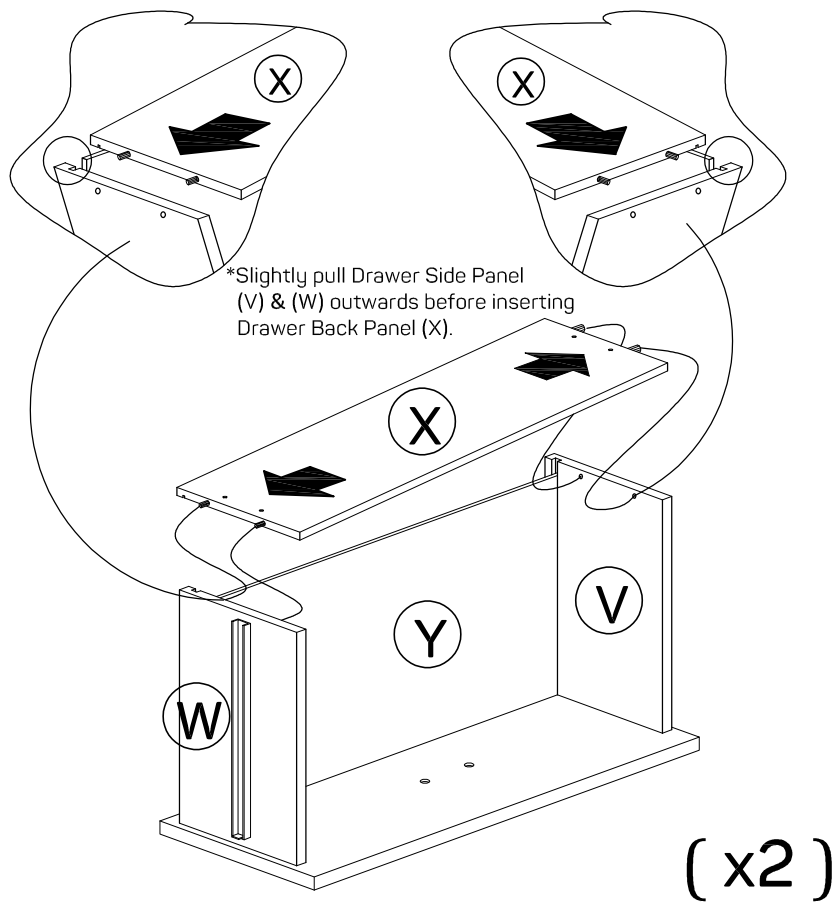
NOTE: The drawer sides will be slightly unstable until the drawer bottom is installed (step 33).



### STEP 33



### STEP 34

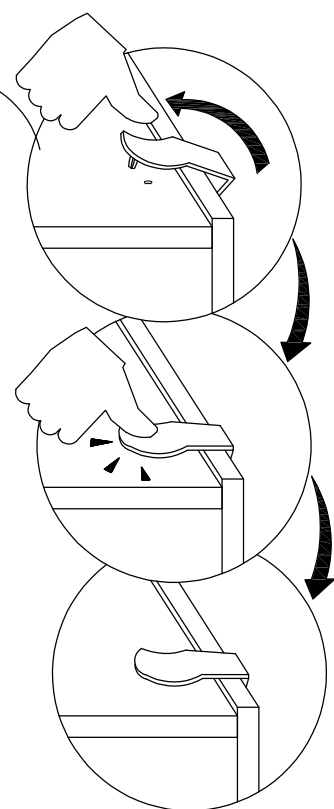


### STEP 35

9 REAR CONNECTOR  
8pcs



( x2 )

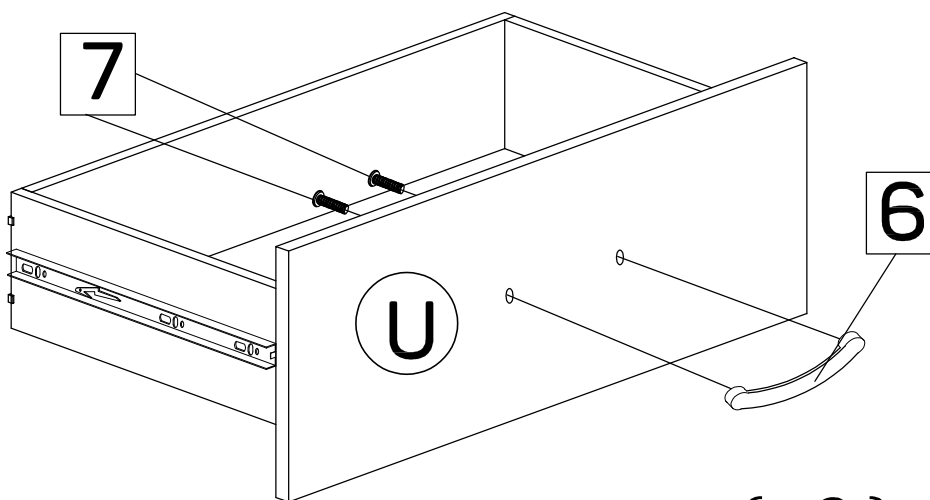


### STEP 36

6 HANDLE  
2pcs

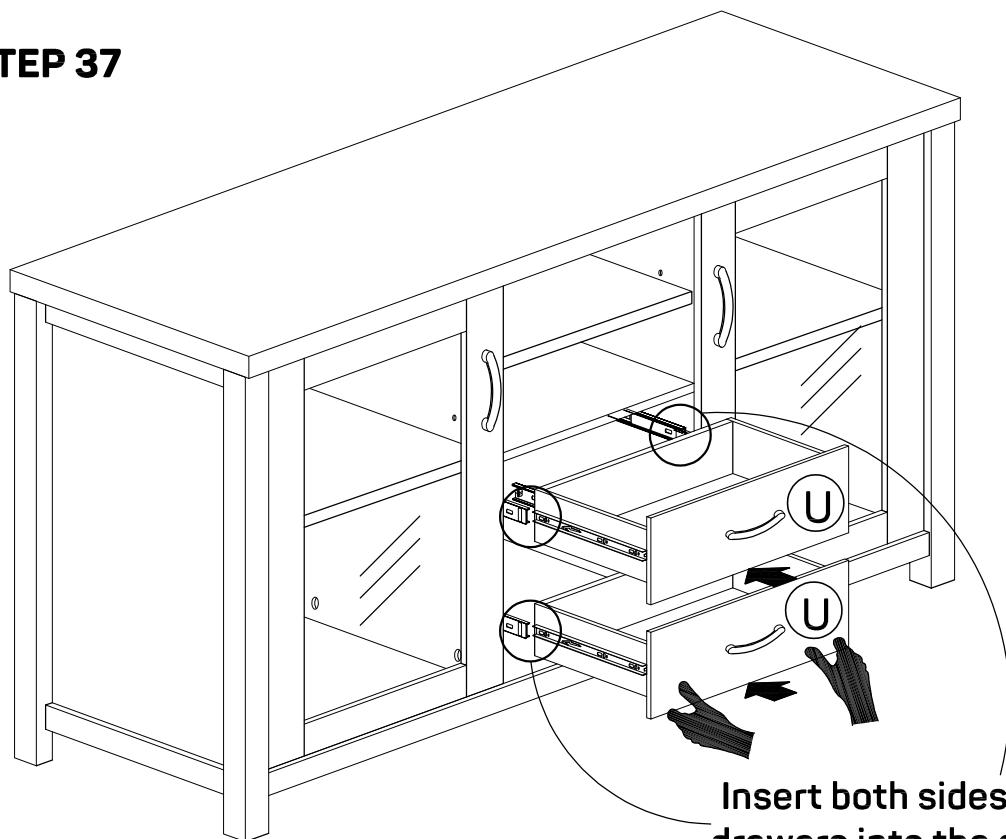


7 0.16" x 0.79"  
MACHINE SCREW  
4pcs



( x2 )

## STEP 37



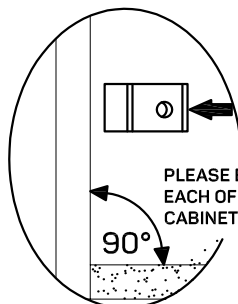
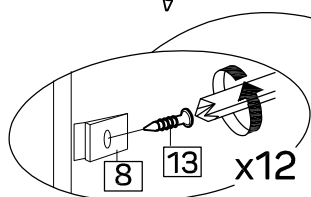
Insert both sides of the drawers into the slides at the same time

## STEP 38

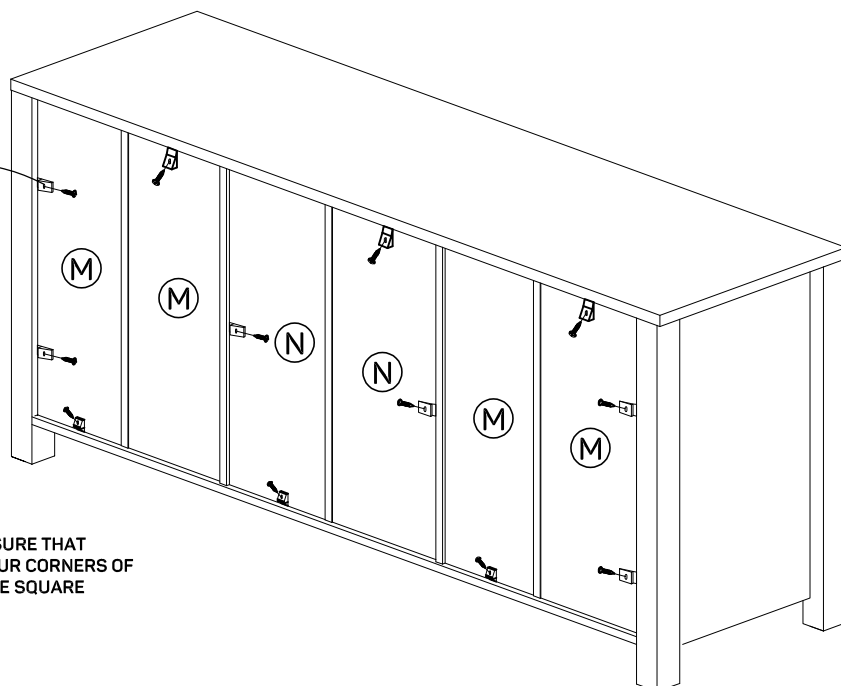
- ⑧ PLASTIC WEDGE  
12pcs

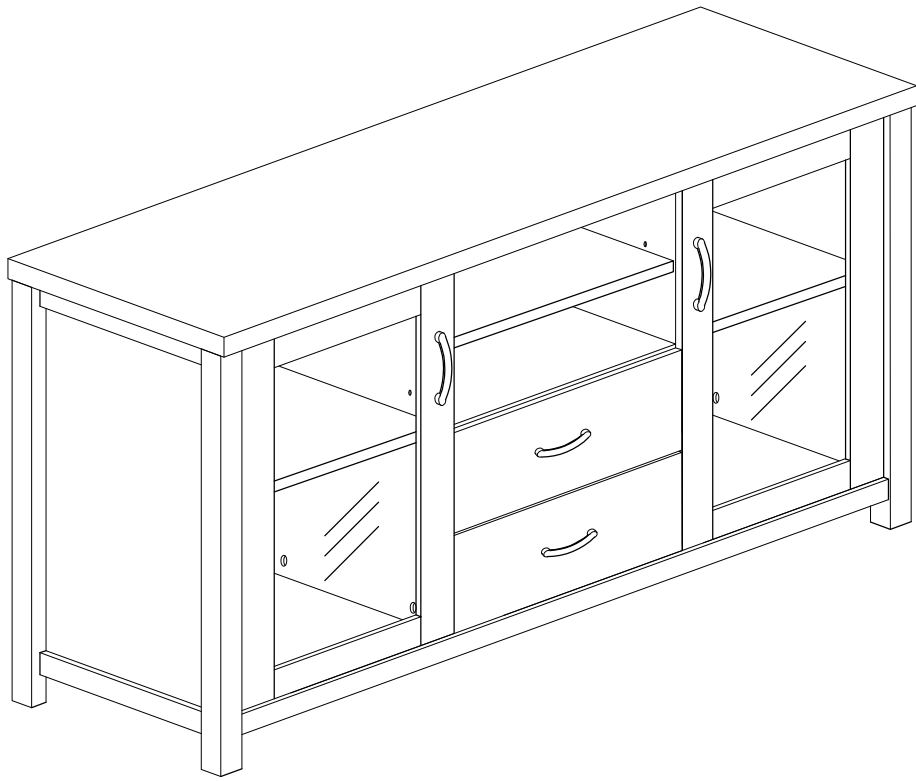


- ⑬ 0.12" x 0.79"  
FLAT HEAD SCREW  
12pcs



PLEASE ENSURE THAT EACH OF FOUR CORNERS OF CABINET ARE SQUARE





# Quality and Safety Guidelines:

- Please follow the static and dynamic weight capacity limits provided on this item. If you are unsure of the weight capacities for this product, email us at [customerexperience@theubiquegroup.com](mailto:customerexperience@theubiquegroup.com) or call 866-552-2810.
- Please use this item on a stable, level surface only. All legs, feet should contact the flooring surface when in use. Do not use this item if any instability is detected.
- Please install and use anti-tipping devices/wall anchor kits as instructed by the assembly instructions. Serious or fatal crushing injuries can occur from tipping furniture. The wall anchor kit is not a substitute for proper adult supervision. Use of the tip over restraints may only reduce, but not eliminate the risk of tip over.
- Never push, pull or drag this product.
- For maintenance instructions and replacement parts, please email us at [customerexperience@theubiquegroup.com](mailto:customerexperience@theubiquegroup.com) or call 866-552-2810.
- This item is intended as a sideboard. Do not climb, hang, stand or sit on this item. Do not place heavy objects on top of this product.
- The item is intended to be used indoors.
- Keep fingers and hands away from the hinge-line clearance and other door openings to prevent crushing and pinching.
- Please inspect this product regularly to make sure there are no damaged or worn parts. Also inspect to make sure all hardware is tightened correctly and securely. For inspection instructions, please email us at [customerexperience@theubiquegroup.com](mailto:customerexperience@theubiquegroup.com) or call 866-552-2810.
- If any parts are damaged or worn, please stop using the product. Repair this product with manufacturer supplied parts only.
- For product longevity, product safety and product integrity, protect from wet and humid weather or other wet, humid or moist conditions and store indoors in a dry location. For additional storage and usage instructions, please email us at [customerexperience@theubiquegroup.com](mailto:customerexperience@theubiquegroup.com) or call 866-552-2810.
- Please visit [www.theubiquegroup.com](http://www.theubiquegroup.com) for our product warranty details or email us at [customerexperience@theubiquegroup.com](mailto:customerexperience@theubiquegroup.com) or call 866-552-2810.