

# USER'S MANUAL

550B

**BLUETOOTH®** | MP3-COMPATIBLE CD  
AM/FM RECEIVER



## Overview of the Components



1. (power) / SRC (source) button
2. SEL (select/menu) button and VOL (volume) knob
3. BAND/AMS (automatic store station, automatic music search) and (answer call) button
4. (pause/play), Preset station 1 button
5. INT (intro), Preset station 2 button
6. RPT (repeat), Preset station 3 button
7. RDM (random), Preset station 4 button
8. -10 (previous 10 tracks), previous folder, Preset station 5 button
9. +10 (next 10 tracks), next folder, Preset station 6 button
10. CLK (clock setting), MUTE button, (end call) button
11. (tune/seek down, previous track, fast reverse) button
12. (tune/seek up, next track, fast forward) button
13. Hands-free Microphone
14. EJECT button
15. Disc slot
16. IR remote sensor
17. Display
18. USB Port
19. AUX IN (auxiliary input) jack
20. Reset button

## General Operation

**Turn Unit on/off, Change the Source**  
Press the (power) / SRC button to turn on the unit. Press and hold the (power) / SRC button to turn off the unit.

Press the (power) / SRC button to select the different modes: Radio, BT (Bluetooth), Disc, USB (with USB device inserted) and AUX-IN (auxiliary input) modes.

## Disc / USB Operation

**Insert CD, Eject CD**  
• With the label facing up, insert a standard size CD into the CD slot. Playback will begin automatically.  
• Press (Eject button) to eject the CD. The unit will change to previous mode of operation.

**Playing MP3 Files**  
If you would like to playback files contained in a USB stick, please insert the stick into the USB port. The MP3/WMA files will be played automatically.

**Select Next Track or Previous Track**  
In the USB mode, briefly press the (tune/seek up) or (tune/seek down) button to play the the next or previous track.

**Fast Forward/Reverse**  
Press and hold the (tune/seek up) or (tune/seek down) button to fast forward or reverse a track.

**Play / Pause**  
Press the (pause/play) button to temporarily stop playback. Press this button again to continue the playback.

**Introduction Scan**  
Press the INT button to play the first 10 seconds of all track. Press again to stop the introduction scan, and play the current track.

**Repeating the track**  
Press the RPT button to toggle between RPT ALL (Play all track), RPT FLR (Continuously repeats all tracks in current folder) and RPT ONE (Continuously repeats current track).

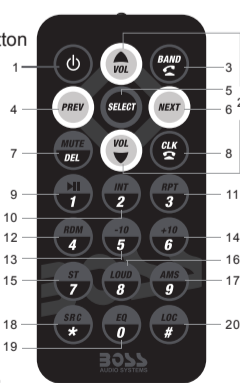
**Playing all tracks in random**  
Press the RDM button. A random playback of all tracks will start. Press the button again to set the normal playback.

**Track/Folder Navigation**  
- Press the -10/+10 buttons to jump 10 tracks backward or forward. It is required that over 10 tracks be available on the storage medium.  
- Press and hold the -10/+10 button to select the previous or the next folder.

**Select the track or file for playback in MP3 format**  
a) Press and hold the BND/AMS button to enter track search mode. First "TRK0000" will appear on the display.  
b) Rotate the volume knob and select the "first number". Then press the (tune/seek down) button to move the "first number" to the left and enter the next number.  
c) When the desired track number appears, confirm your selection by pressing SEL button.

## Remote Control

1. (Power on/off) button
2. VOL+/VOL- (volume increase/decrease) button
3. Band button, (answer call) button
4. PREV: tune down, seek down; Track down, fast reverse
5. SEL (selection) button
6. NEXT: tune up, seek up; Track up, fast forward
7. Mute button, DEL (Delete) button
8. CLK (clock setting) button, (end call) button
9. (pause/play) button, preset station 1 button, keypad 1
10. INT (intro) button, preset station 2 button, keypad 2
11. RPT (repeat) button, preset station 3 button, keypad 3
12. RDM (random), preset station 4 button, keypad 4
13. -10 (previous 10 tracks), preset station 5 button, keypad 5
14. +10 (next 10 tracks), preset station 6 button, keypad 6
15. ST (stereo) button, keypad 7
16. LOUD (loudness) button, keypad 8
17. AMS (automatic music search) button, keypad 9
18. SRC (Source) button, keypad \*
19. EQ (Equalizer) button, keypad 0
20. LOC (local)/DX button, keypad #



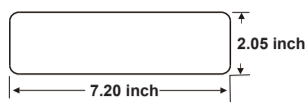
Note: When using the remote control for the first time, you must pull out the protective plastic tab from the battery compartment found on the back of the remote control.

## Installation

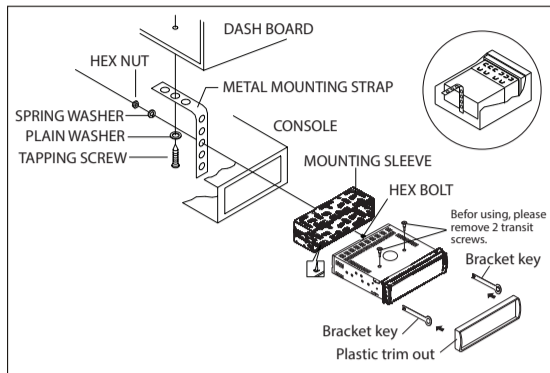
- Installation Procedures**
1. First complete the electrical connections and then check for correctness.
  2. Disconnect the battery negative terminal of vehicle before beginning installation.
  3. Remove 2 transport CD deck screws before use.

### Installation Opening

This unit can be installed in any dashboard Having an opening as shown below.



Insert mounting collar into the dashboard and bend the mounting tabs out with a screwdriver. Make sure that lock lever is flush with the mounting collar (not projecting outward).



## General Operation

**Adjust the volume (VOL)**  
Rotate the VOL knob to increase or decrease the volume level.

**Adjust Menu Options (SEL)**  
• Press SEL button repeatedly to cycle through the following adjustable audio functions: BASS, TREBLE, BALANCE, FADER, EQ OFF, LOUD OFF, DX/LOC, STEREO/MONO and VOLUME.

• Press and hold the SEL button to access these additional functions: VOL(LAS/ADJ), AREA US/EU, Clock 12/24, and BEEP ON/OFF.

**Setting the Clock**  
Press the CLK button to display time. Press and hold the CLK button, the hours digits start flashing on the display. Set hours by pressing the (tune/seek up) and (tune/seek down) button. Then briefly press the CLK button. The minute digits start flashing. Set minutes by pressing the (tune/seek up) and (tune/seek down) button. Finally press the CLK button to confirm your settings.

### LCD Display

**Mute On/Off**  
In power on mode, briefly press the MUTE button to toggle mute on or off.

**Loudness on/off**  
Press the LOUD button on the remote control to turn on the loudness to reinforce the output of bass frequencies, press again to turn it off.

**Preset EQ (Equalizer)**  
Press the EQ button on the remote control to toggle between EQ OFF, FLAT, POP, ROCK, CLASS.

**USB Port**  
The USB port of this car radio is designed for media playback from flash memory devices and charging for iPhone / android mobile phone. The charging current consumption is 1 ampere.

**Reset**  
Push the RESET button with a thin object with a pointed end to reset all parameters to factory default settings. This function may be used when the LCD does not display normally or sound is distorted, or when any of controls are disabled.

## Auxiliary Operation

Using this socket, it is possible to hear the sound of other playback devices such as MP3 players, CD players etc. through the car loudspeaker.

1. Please connect the external device with a 3.5 mm stereo jack plug to the AUX socket.
2. Press the SRC button repeatedly until "AUX IN" appears in the display.
3. You hear the playback from the external device via the loudspeakers. You can adjust the volume of the external device to a comfortable level with the volume control of this device.

## Bluetooth Operation

**Pair and Connect**  
Prior to using the Bluetooth device as a handsfree system for a Bluetooth enabled mobile phone for the first time, you must pair and connect the two devices as follows:

1. In any mode, prior to pairing and connecting, the BT logo in the LCD indicating that no device is connected. To begin pairing, enable BT mode on your mobile phone.
2. When the phone finds the car audio system, the "BOSS 550B" name will be displayed.
3. Choose the "BOSS 550B" from the device list to pair and connect with the car audio system. Upon confirming, the BT logo will stop flashing.
4. When pairing is complete, the mobile phone audio will automatically transfer to the car audio system whenever a call is made or received, or when the mobile phone plays music.

**Make a Call**  
• To make a call, dial the call directly from the paired mobile phone.  
• To make a call with this bluetooth handsfree system:  
a) When linking up the Bluetooth-enabled mobile phone to this bluetooth handsfree system, press the (answer call) button to access the dial telephone number mode, then press the "0-9", \* and # button on remote control to input the telephone number, and the entered number will be shown on the LCD display.  
b) If a number has been incorrectly inputted, press the DEL button or (end call) button to delete it.  
c) Press the (answer call) button to make outgoing call.

## Specifications

**General**

Chassis Dimensions	178(W) x 160(D) x 50(H) mm
Power Supply Requirement	DC 12V
Current Consumption	15A MAX
Maximum Power Output	50W x 4CH

**Radio**

**FM**

USA/Europe	87.5 MHz - 107.9 MHz/87.5 - 108.0 MHz
Usable Sensitivity	30 dBu
I.F. Frequency	10.7 MHz

**AM**

USA/Europe	530 KHz - 1710 KHz/522 - 1620 KHz
Usable Sensitivity	20 dBu
I.F. Frequency	450 KHz

**CD/USB**

Usable Audio Formats	CD/MP3/WMA
USB Port Type	2.0
USB Charging	5V/1A
Pre-amp Output	Front and Rear
Frequency Response	20 Hz - 20 KHz
S/N Ratio	60dB

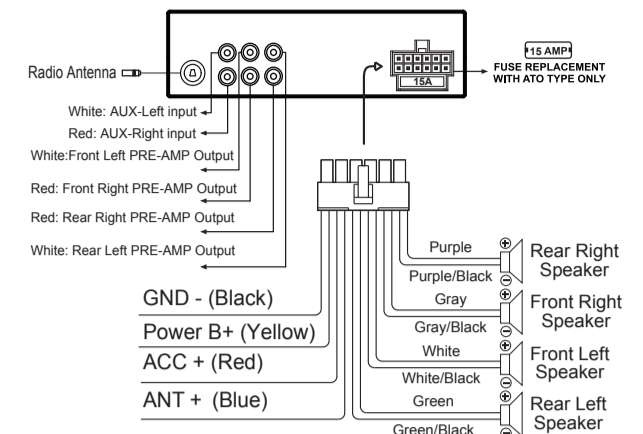
**BT**

BT Profile supports	A2DP, AVRCP, HFP
Range of frequency	2.4GHz spectrum

## Installation

Connect all wiring harness and slide the head unit into the mounting collar until it clicks into place.

## Wiring Connections



- +12V DC Negative Ground.
- Only use speakers with 4 ohms impedance.
- The maximum current of the Amp remote trigger is 200mA.

## Radio Operation

**Switch Between USA area and Europe area Frequency**  
In radio mode, press the SEL button to enter the switch state of the US (USA) and EU (Europe) frequency, then rotate it to switch between US (USA) and EU (Europe) frequency. The system will change the frequency setting in about 3 seconds.

**Change Bands**  
In radio mode, shortly press the BAND/AMS button to switch between the FM1 (F1), FM2 (F2), FM3 (F3) and AM1 (A1), AM2 (A2) bands.

**To Store / Recall Preset Stations**  
The radio can be stored 6 preset stations for each band (FM1, FM2, FM3, AM1 and AM2) for a total of 30 preset stations.

**- To memorize a station:**  
Press and hold the desired preset buttons (1-6) to save a radio station.  
**- To recall a preset station:**  
Briefly press the respective station button (1-6) to recall the corresponding preset station.

**Manual Tuning**  
In the radio mode:  
Press and hold the (tune/seek up) or (tune/seek down) button to enter the manual tuning mode. In manual tuning mode, briefly press the (tune/seek up) or (tune/seek down) button to search the next or previous frequency step by step.

**Seek Tuning**  
In radio mode, press the (tune/seek up) or (tune/seek down) button, the automatic search will start, it will search upward or downward for the strong signal radio station within the current band. The auto searching will stop until find a station.

**Automatic Store Preset station (AMS)**  
Press and hold the BAND/AMS button to store 18 FM stations and 12 AM stations automatically.

**Automatic Preset Scan**  
Briefly press the BAND/AMS button on the remote control to recall each preset station that stored in the memories in each band.

**LOCAL/DX**  
In FM radio mode, press the LOC button on the remote control to choose local or distant reception mode.

**Stereo/Mono**  
In FM radio mode, press the ST button on the remote control to choose FM STEREO or MONO audio effect.

## Bluetooth Operation

**Redial Last Dialed Number**  
Press and hold the (answer call) button on the control panel to redial the last dialed phone number.

**Answer a Call**  
• When the mobile phone is called, the incoming telephone number displays on the LCD.  
• To receive the call, press the (answer call) button on the front panel or remote control.

**Reject or End a Call**  
To reject or end the call, press the (end call) button on the front panel or remote control.

**Switch Audio Between Car Audio and mobile Phone**  
During a call, press the VOL knob/button to switch the audio source from the car audio system back to your mobile phone.

**Adjust Call Volume**  
• During a call, use VOL knob or VOL+ /VOL- button to adjust the call volume level.  
• Use the MUTE button to mute sound.

**Audio Streaming (A2DP)**  
The unit supports A2DP (advanced audio distribution profile) wireless streaming audio from your Bluetooth mobile device directly to your head unit. You can also control your music from the front panel of the head unit using AVRCP (audio video remote control profile).

1. After pairing, connecting and enabling streaming audio from a compatible mobile device, press the SRC button to enter BT mode and display pause in the LCD display.
2. When a mobile device is paired, music played through that device will automatically be heard through the car audio system and display A2DP in the LCD display.
3. Press the (tune/seek up) or (tune/seek down) button to play the next or previous on the mobile phone.
4. Press the (pause/play) button to pause or resume music playback.

# USER'S MANUAL

550B  
BLUETOOTH® | MP3-COMPATIBLE CD AM/FM RECEIVER



BOSS Audio Systems  
3451 Lunar Court • Oxnard, CA 93030

www.bossaudio.com  
800-999-1236 US Toll-free  
805-751-4853 Customer Service  
Tech Support: www.bossaudio.com/support/technical-support



©2011  
iPod / iPhone are trademarks of Apple, Inc. registered in the U.S. and other countries.  
BOSS Audio Systems is not affiliated with Apple, Inc.  
The Bluetooth® word mark and logos are registered trademarks owned by Bluetooth SIG, Inc. and any use of such marks by BOSS Audio Systems is under license. Other trademarks and trade names are those of their respective owners.