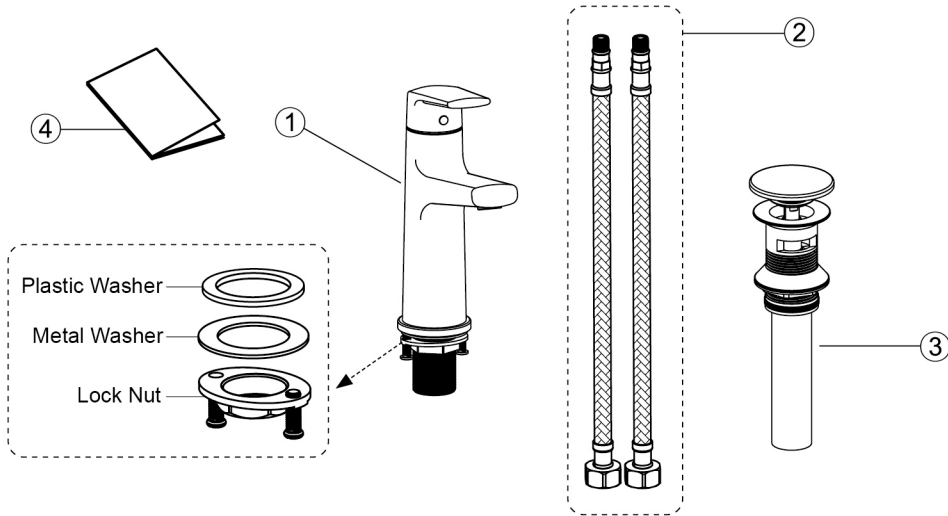


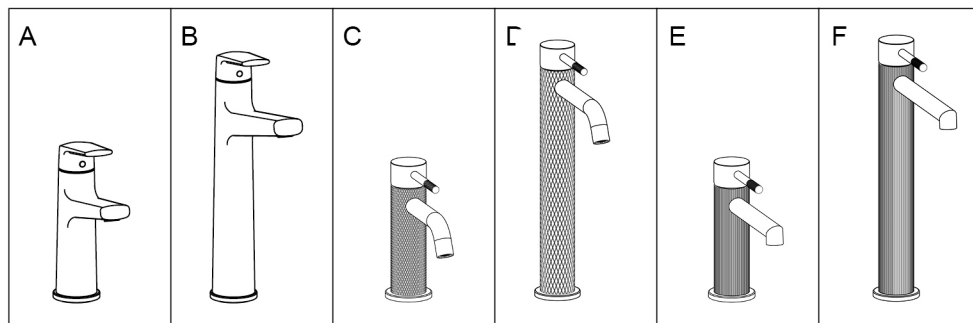
# INSTALLATION INSTRUCTIONS



## Accessories List

NO	ACCESSORY NAME	QTY	NO	ACCESSORY NAME	QTY
①	Main Faucet Body	1	②	Water Supply Hoses	2
③	Pop-up Drain Stopper	1	④	Instructions	1

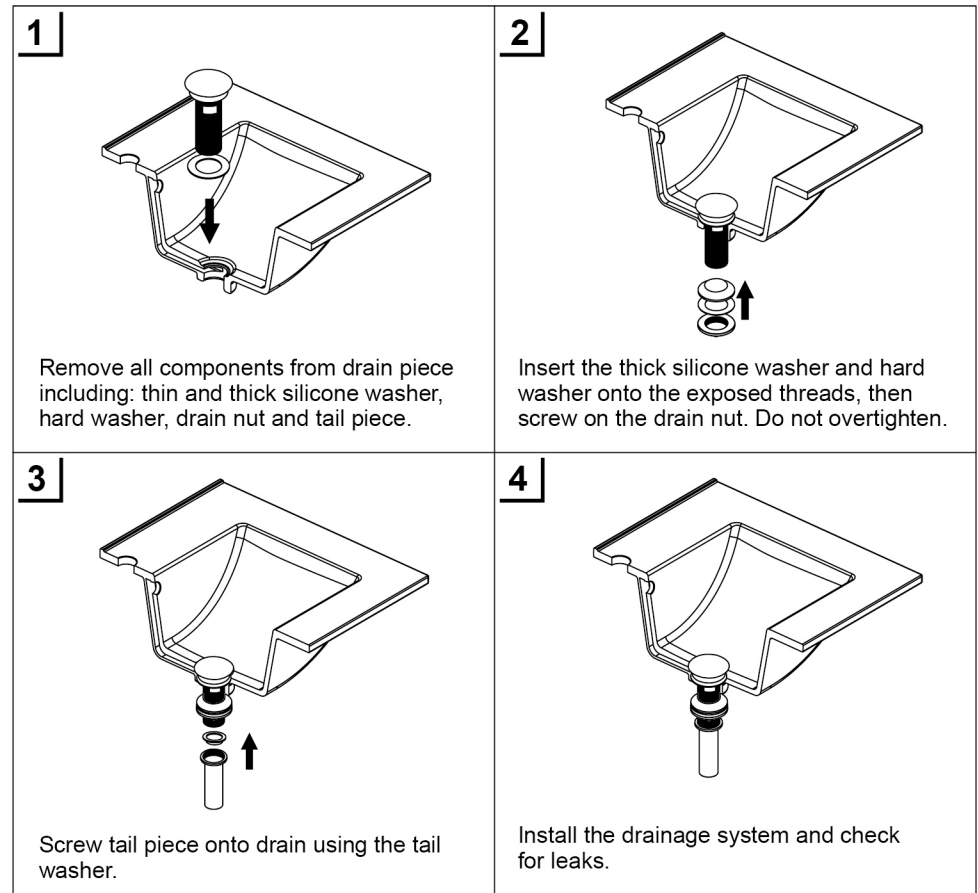
## Six Faucet Styles



## Installation Precautions

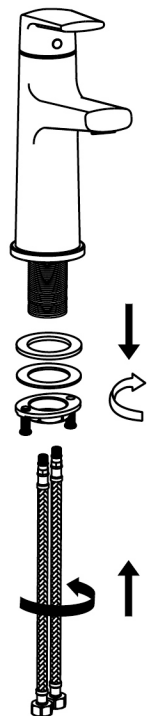
1. After unpacking the package, please check whether the accessories are complete according to the "Accessories List". If there are any missing accessories, please contact us immediately
2. The main faucet body has been inspected and tested before leaving factory, please do not disassemble it by yourself
3. In order to avoid blockage and affect use, please remove the impurities and sludge in the water pipe before installing the faucet
4. Use a mild liquid detergent for cleaning, do not use abrasive detergent that may scratch or dull the surface

## Installation Steps



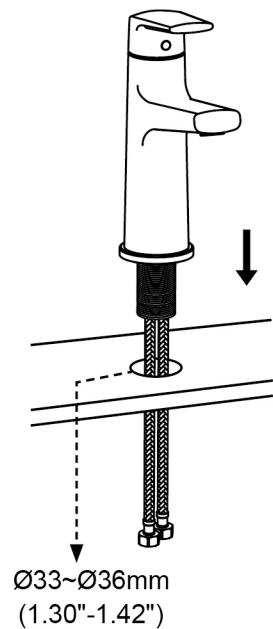
## Installation Steps

1



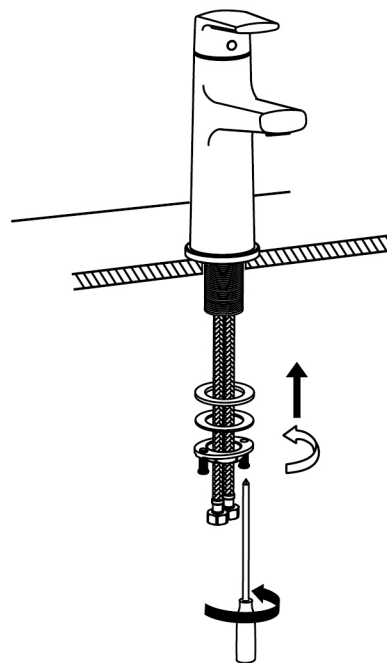
Unscrew fixed accessories from main faucet body.  
Screw water supply hoses to faucet connectors  
(Note: Red hose connect to left hole, blue hose connect to right hole)

2



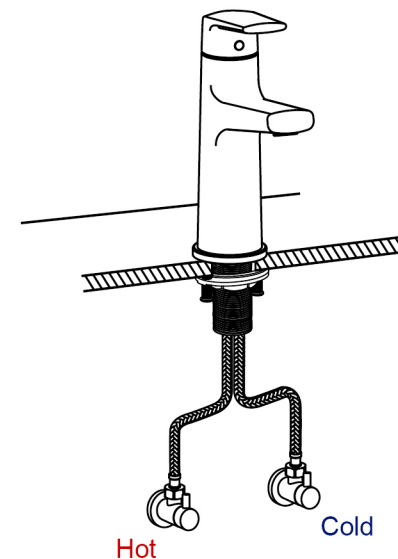
Place faucet into sink hole (hole size:  $\text{Ø}33\sim\text{Ø}36\text{mm}$ /1.30"-1.42")

3



Re-screw fixed accessories to main faucet body, then tighten the screws on the lock nut with screwdriver

4



Connect another end of the water supply hoses to stop valves  
(Note: Red hose connect to hot water, blue hose connect to cold water)

Turn on water, check for leakage, re-tighten the hoses if necessary