

G 5058 SCVi SFP Active

Fully integrated dishwashers in standard size

in tried-and-tested Miele quality at an affordable entry-level price.



- QuickIntenseWash, superior cleaning and drying in under 60 min
- Save up to 50% electricity with the Miele hot water connection
- Flexible basket design perfect for everyday use – Comfort baskets
- Very easy door opening and closing – ComfortClose
- Clean Touch Steel front w/pocket handle, fingerprint resistant
- More flexibility and space for your dishware – height-adjustable upper basket

EAN: 4002516523628 / Material number: 11966820 /
Old Material Number: 21505866USA

Type	
Fully integrated dishwashers	•
24 inch dishwasher	•
Design	
Fascia color	Stainless Steel.
Fascia panel version	Fully integrated fascia
Control type	Programme selector button
Control panel	3-digit 7-segment display
Display color	Yellow
Convenience	
Door closing aid	AutoClose
Operating noise dB(A) re 1 pW	44
Countdown indicator	•
Delay start up to 24 hours	•
In-operation indication	acoustic
Efficiency and sustainability	
Noise emissions in dB(A)	44
EcoPower Technology	•
Proven hygiene	•
Hot water connection	•
Half load	•
Energy Star	•
Quality of results	
Fresh water dishwasher	•
Wash programs	
QuickIntenseWash	•
Normal	•
Pots & Pans	•
SaniWash	•
Rinse & Hold	•
Dishwashing options	
Short	•
Extra Clean	•
Extra dry	•
Baskets	
Cutlery loading	Cutlery Tray
FlexCare cup rack	1
Basket design	Comfort
Safety	
Waterproof system	•
Technical data	
Niche width min in in.(mm)	23 5/8 (600)
Niche width max in in.(mm)	23 5/8 (600)
Niche height min in in.(mm)	33 3/4 (855)
Niche height max in in.(mm)	36 1/4 (920)
Niche depth in in.(mm)	22 1/2 (570)
Appliance width in in.(mm)	23 5/8 (598)
Appliance height in in.(mm)	33 3/4 (855)

G 5058 SCVi SFP Active

Fully integrated dishwashers in standard size

in tried-and-tested Miele quality at an affordable entry-level price.



EAN: 4002516523628 / Material number: 11966820 /

Old Material Number: 21505866USA

Appliance depth in in.(mm)	21 3/4 (550)
Appliance depth with door open in in.(cm)	47 1/2 (120.5)
Net weight in lbs. (kg)	111 (50.0)
Total connected load in kW	1.40
Voltage in V	120
Fuse rating in A	15
Number of phases	1
Electrical frequency standard	60
Length of water inlet hose in ft (m)	5 (1.50)
Length of water drain hose in ft (m)	5 (1.50)
Length of electrical wire in ft (m)	4 (1.20)
Min. front panel weight in kg	4.0
Max. front panel weight in kg	11.0
[can be retrofitted by Service to min.]	7.0
[can be retrofitted by Service to max.]	14.0

Standard accessories

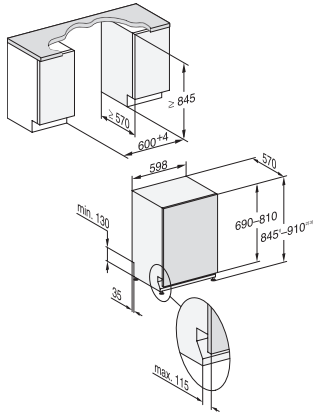
Voucher for 1 x box of UltraTabs (20 tabs) or 3 boxes (60 tabs in each) at a reduced price

•

G 5058 SCVi SFP Active

Fully integrated dishwashers in standard size

in tried-and-tested Miele quality at an affordable entry-level price.



G7000/5000 SF, fully integrated dishwasher, 60cm
(installation drawing)

1) Plinth height 35-155 mm, 2) Plinth height 100-220 mm, 3) Appliance height max. 970 mm with plinth height conversion kit (Mat.-Nr. 6.394.761),