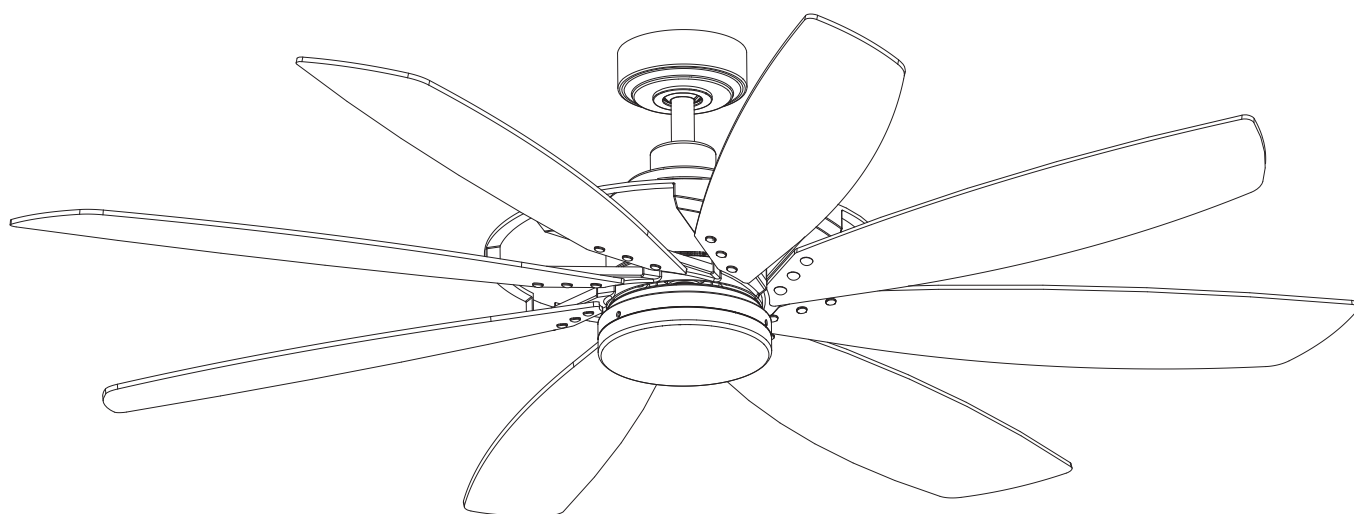




Parrot Uncle

# F8249110V



English / Español / Français

[www.parrotuncle.com](http://www.parrotuncle.com)



**Parrot Uncle**

**F8249110V**

**Installation & Operating Instructions for the  
Parrot Uncle Owner's Installation, Manual**

**WARNING: SHUT POWER OFF AT FUSE OR CIRCUIT BREAKER**

## Safety Information

1. To reduce the risk of electric shock, the electricity has been turned off at the circuit breaker or fuse box before begin.
2. All wiring must be in accordance with the National Electrical Code NASI/NFPA70-1999 and local electrical codes. Electrical installation should be performed by a qualified licensed electrician.
3. The outlet box and support structure must be securely mounted and capable of reliably supporting 35lb.(15.9kg). Use only UL listed outlet boxes marked "Acceptable for Fan Support of 35lbs (15.9kg) or less."
4. The fan must be mounted with a minimum of 7 ft. (2.1m) clearance from the trailing edge of the blades to the floor.
5. Do not operate the reversing switch while the fan blades are in motion. You must turn the fan off and stop the blades before you reverse the blade direction.
6. Do not place objects in the path of the blades.
7. To avoid personal injury or damage to the fan and other items, please be careful when working around or cleaning the fan.
8. Electrical diagrams are for reference only. Light kits that are not packed with the fan must be UL-listed and marked suitable for use with the model fan you are installing. Switches must be UL General Use Switches. Refer to the instructions packaged with the light kits and switches for proper assembly.
9. After making electrical connections, spliced conductors should be turned upward and pushed carefully up into the outlet box. The wires should be spread apart with the grounded conductor and the equipment-grounding conductor on one side of the outlet box. and the ungrounded conductor on the other side of the outlet box.
10. All setscrews must be checked and retightened where necessary before installation.



**WARNING:** TO reduce the risk of personal injury, do not bend the blade brackets (also referred to as flanges) during assembly or after installation. Do not insert objects in the path of the blades.



**WARNING:** Remove the rubber motor stops on the bottom of the fan before installing the blades or testing the motor.



**WARNING:** To reduce the risk of fire or electric shock, do not use this fan with any solid-state speed control device.



**WARNING:** To avoid possible electric shock, turn the electricity off at the main fuse box before wiring. If you feel you do not have enough electrical wiring knowledge or experience, contact a licensed electrician.



**WARNING:** Electrical diagrams are for reference only. Optional use of any light kit shall be UL-listed and marked suitable for use with this fan.



**WARNING:** To reduce the risk of fire, electric shock, or personal injury, mount to outlet box marked "Acceptable for fan support of 35lbs. (15.9 kg) or less "and use the screws provided with the outlet box.

### TECHNICAL INFORMATION

SKU	Nominal Voltage	Nominal output(motor)	light
F8249110V	120Vac	35W	18W

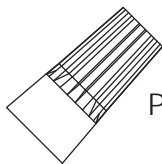


Parrot Uncle

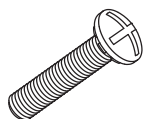
# F8249110V

## Installation & Operating Instructions for the Parrot Uncle Owner's Installation, Manual

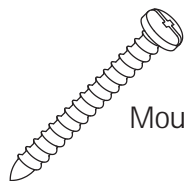
WARNING: SHUT POWER OFF AT FUSE OR CIRCUIT BREAKER



Plastic wire nut (4PCS)



Screws (2PCS)



Mounting screws (2PCS)



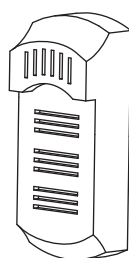
Washer (2PCS)



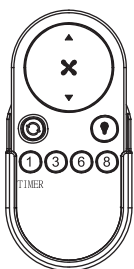
Decorative Nut (24PCS)



Blade screw (25PCS)



REMOTE CONTROL ( 1PC )

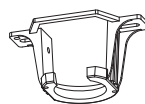


⌚ x 2

⌚ x 2



X9



Mounting bracket

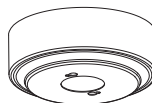
Hanging Pin



4.5"ball/downrod assembly



"R" Looking Pin



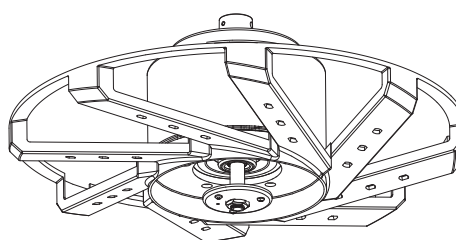
Canopy



Canopy cover

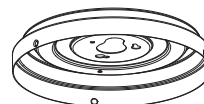


Coupling cover



Fan-motor assembly

Blade (8PCS)



Switch housing



Led light kit



shade

Pls check whether above accessories are completed or not?Yes,and install.



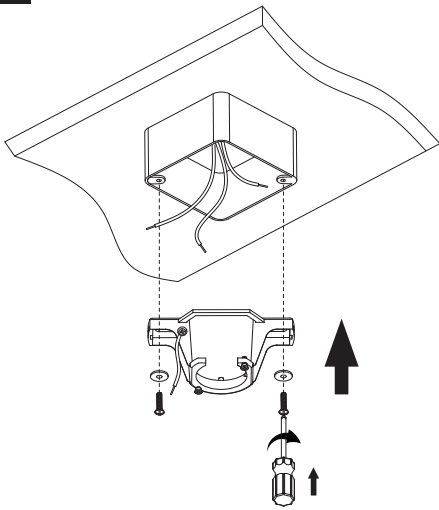
Parrot Uncle

F8249110V

Installation & Operating Instructions for the  
Parrot Uncle Owner's Installation, Manual

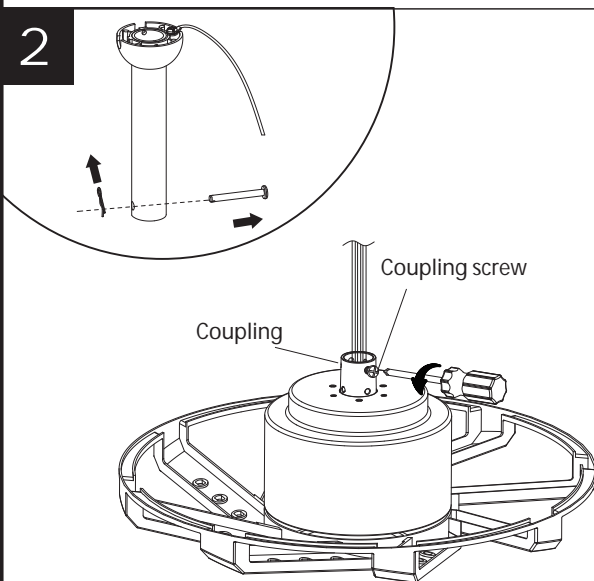
WARNING: SHUT POWER OFF AT FUSE OR CIRCUIT BREAKER

1



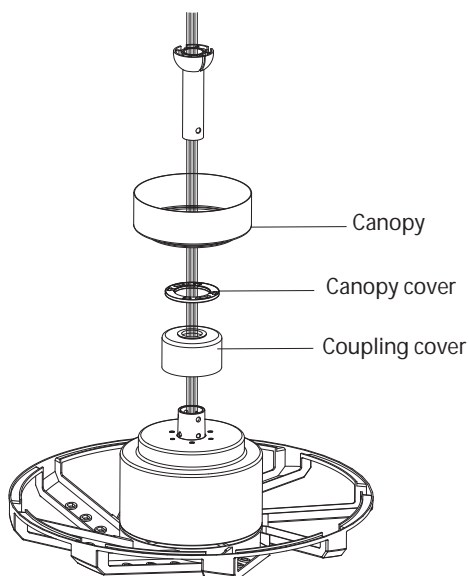
Securely attach the hanger bracket to the outlet box using the screws and washers provided in the hardware bag.

2



Loosen the two coupling screws preassembled in the coupling, but do not remove them. Remove the locking pin and hanging pin from the downrod assembly. Retain for later use.

3



Place downrod assembly through canopy, canopy cover and coupling cover. Route the motor lead wires through the downrod assembly.



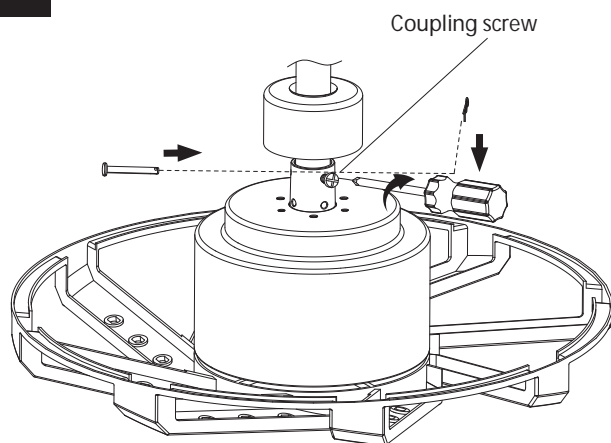
Parrot Uncle

# F8249110V

## Installation & Operating Instructions for the Parrot Uncle Owner's Installation, Manual

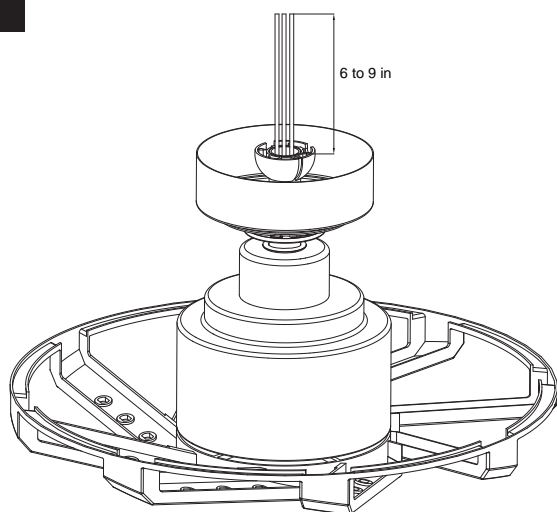
**WARNING: SHUT POWER OFF AT FUSE OR CIRCUIT BREAKER**

4



Slide downrod into the coupling on top of the motor. Install the hanging pin by aligning the holes in the coupling with holes in the downrod. Secure hanging pin with locking pin. Securely tighten the two previously loosed set screws.

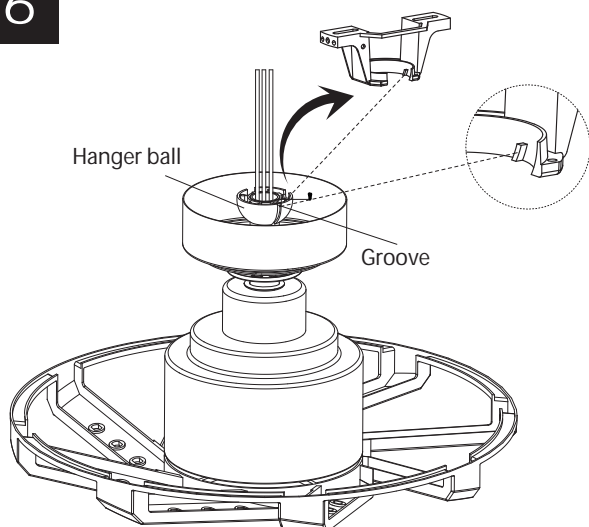
5



Cut off excess lead wire approximately 6 to 9 inches above top of the downrod. Strip insulation off 1/2 inch from the end of each lead wire.

**CAUTION:** All set screws must be checked and retightened where necessary before installation.

6



Carefully lift the fan and seat the downrod/hanger ball assembly onto the mounting bracket that was just attached to the outlet box. Be sure the groove in the ball is lined up with tab on the mounting bracket.

**DANGER:** Failure to seat tab in groove could cause damage to electrical wires and possible shock or fire hazard

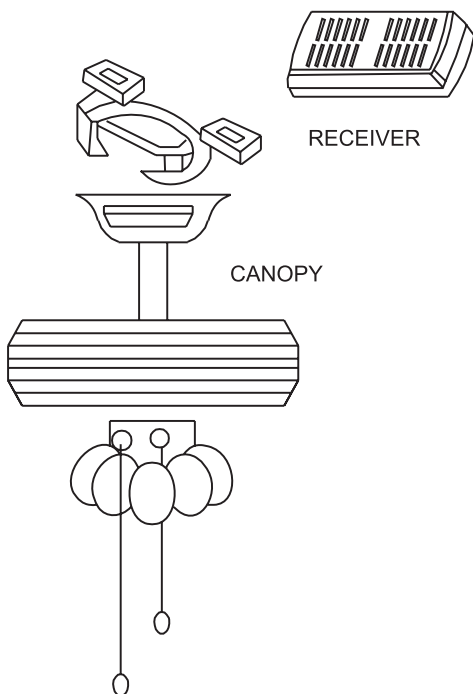
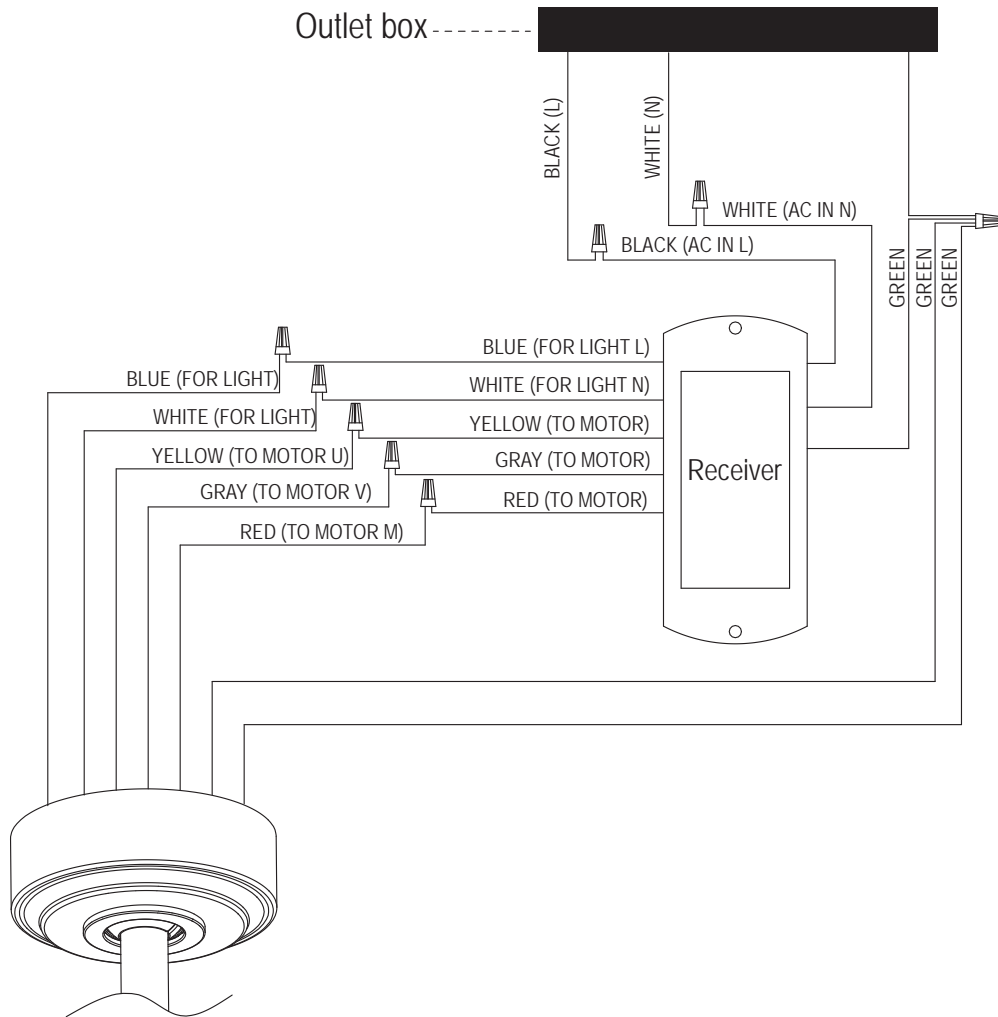


Parrot Uncle

F8249110V

Installation & Operating Instructions for the Parrot Uncle Owner's Installation, Manual

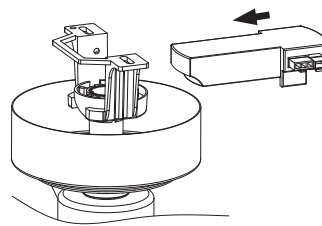
WARNING: SHUT POWER OFF AT FUSE OR CIRCUIT BREAKER



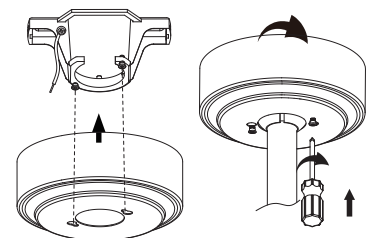
**Install remote control**

remote control <ONLY>

**Preparing for mounting**



Slide the receiver into the open end of the mounting bracket with the flat side of the receiver facing the ceiling.



Loosen the screws without fully removing it. Assemble canopy by rotating key slot in canopy over screws in mounting bracket, taking care not to pinch the wires. Tighten the screws.

LIGHT MUST BE KEPT AT THE ON POSITION

FAN MUST BE KEPT AT THE HIGH SPEED



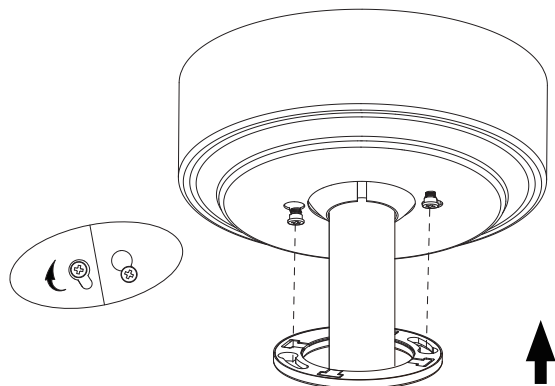
Parrot Uncle

F8249110V

Installation & Operating Instructions for the  
Parrot Uncle Owner's Installation, Manual

WARNING: SHUT POWER OFF AT FUSE OR CIRCUIT BREAKER

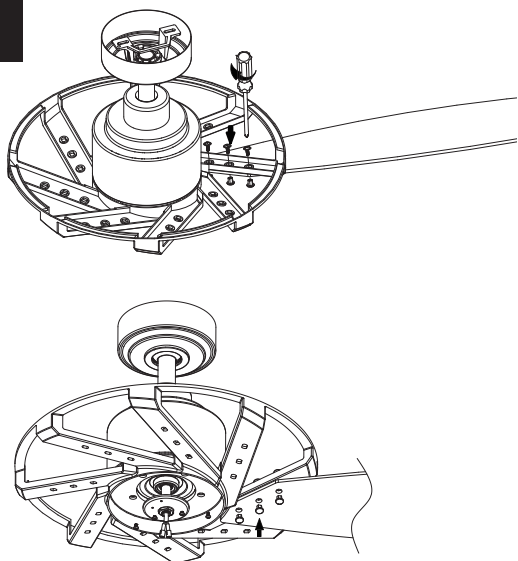
7



Securely attach and tighten the canopy cover over the screws in the mounting bracket utilizing the key slot twist-lock feature.

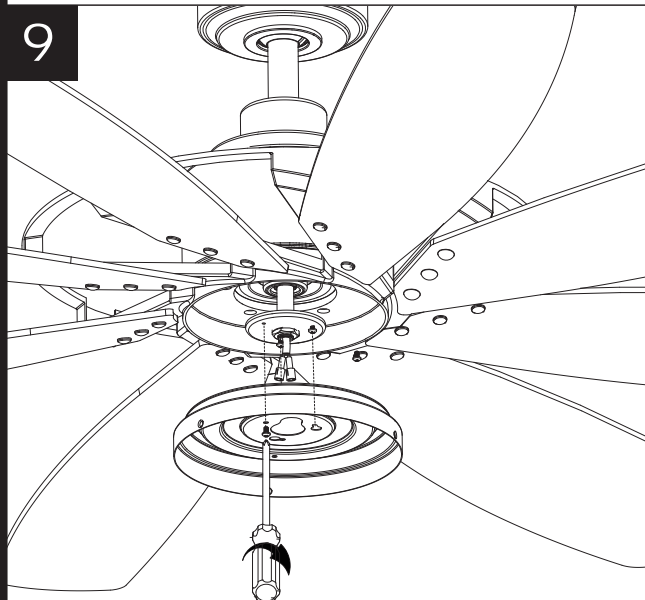
**Note:** Adjust the canopy screws as necessary until the canopy and canopy cover are snug.

8



Make sure the blade is fully seated against the flywheel. Place screw nuts over the blade with holes aligned and assemble blade to flywheel using blade screws provided, Fully tighten the screws that attach the blades to the motor assembly flywheel. Repeat the same steps for the remaining blades.

9



Remove one of the three screws in the support bracket at the bottom of the motor assembly and retain the screw for later and slightly loosen the remaining two screws.

Assemble the switch housing to the support bracket using the two key slots. Replace the previously removed screw and securely tighten all three screws.



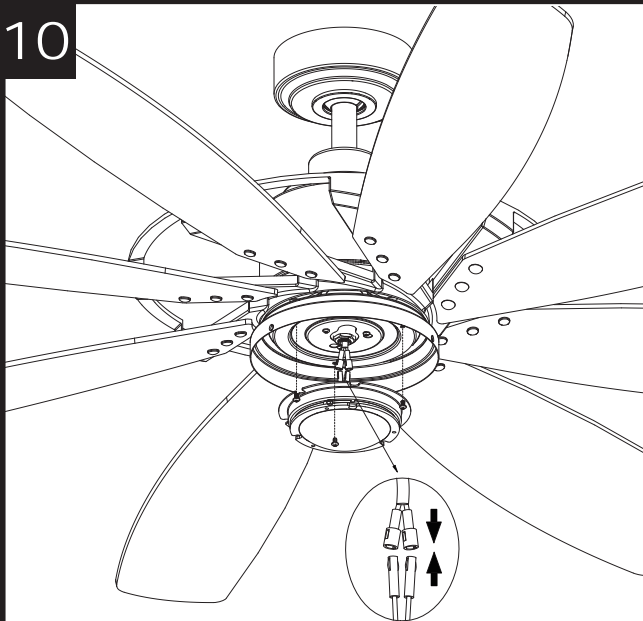
Parrot Uncle

## F8249110V

### Installation & Operating Instructions for the Parrot Uncle Owner's Installation, Manual

**WARNING: SHUT POWER OFF AT FUSE OR CIRCUIT BREAKER**

10

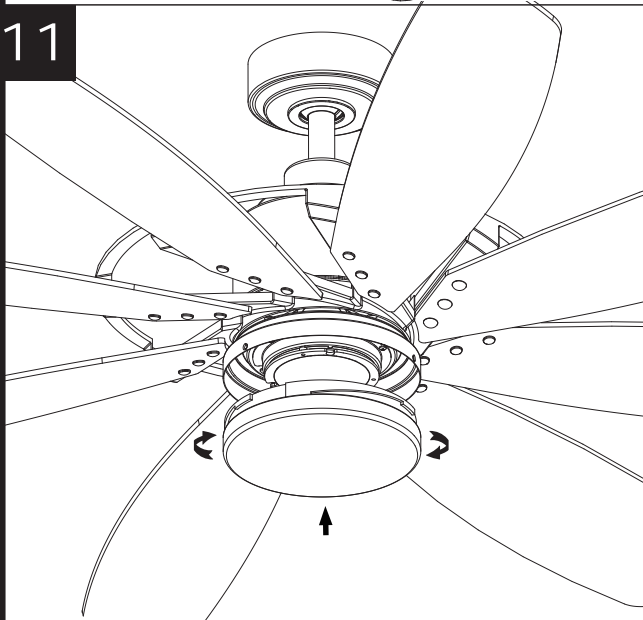


Remove one of the three screws in the switch housing. Retain the screw for later and slightly loosen the remaining two screws.

Connect the 2 single pin connectors from the light kit to the 2 single pin connectors from motor assembly. (BLACK TO BLUE, WHITE TO WHITE). Assemble the light kit to the switch housing by using the two key slots in the light kit.

Replace the previously removed screw and securely tighten all three screws

11



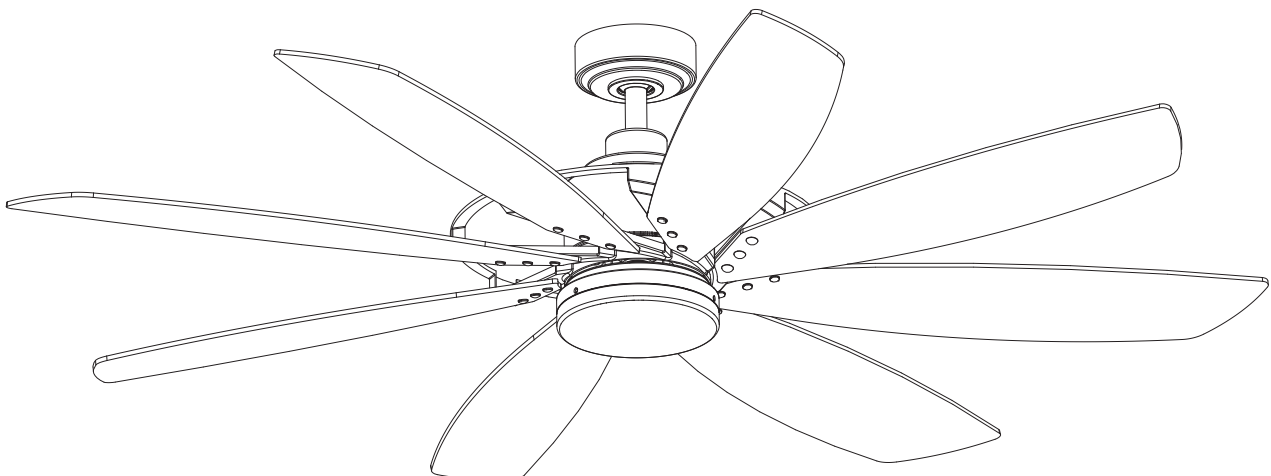
Secure the shade to the switch housing assembly by twisting in a clockwise direction.

Twist the shade gradually until it snaps onto the switch housing assembly.

Do not over-tighten.

12

Whole structure



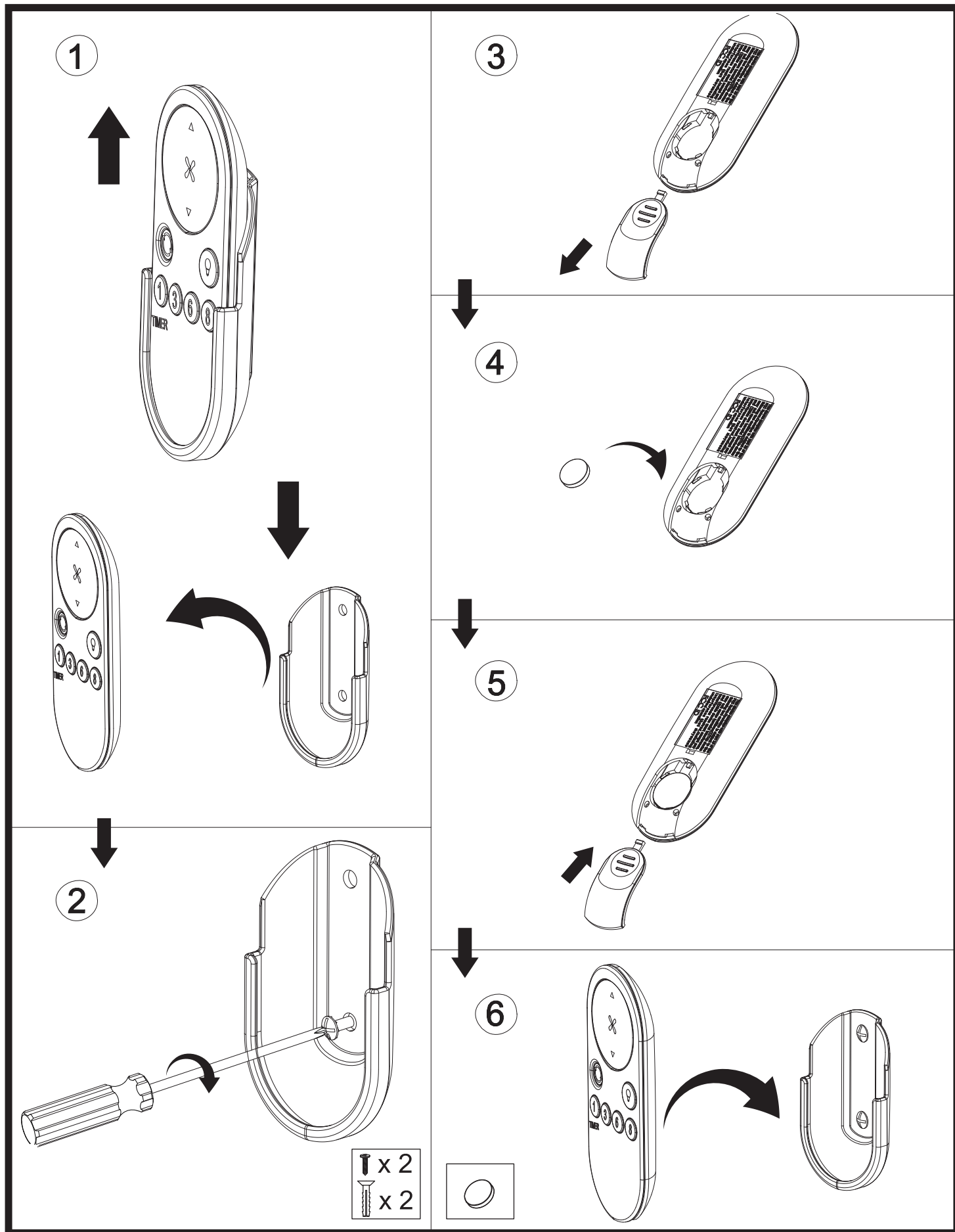


Parrot Uncle

F8249110V

Installation & Operating Instructions for the  
Parrot Uncle Owner's Installation, Manual

WARNING: SHUT POWER OFF AT FUSE OR CIRCUIT BREAKER





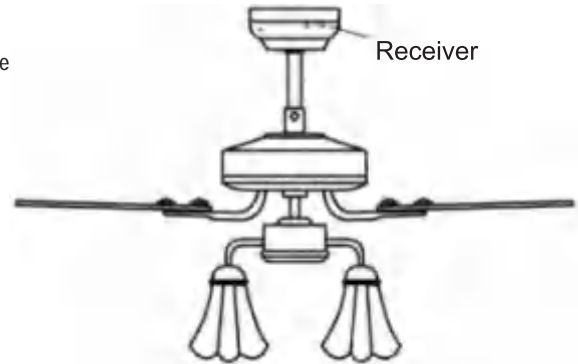
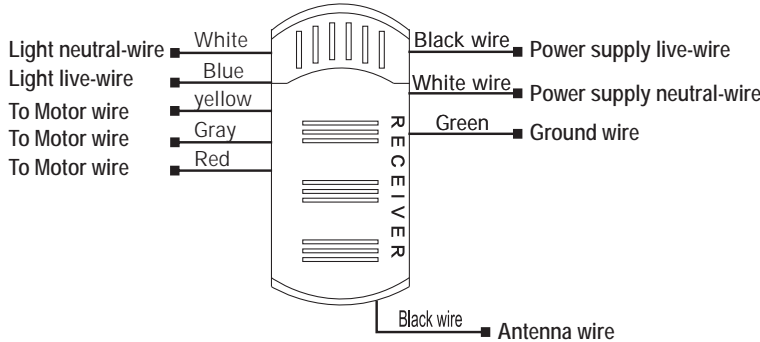
Parrot Uncle

F8249110V

Installation & Operating Instructions for the Parrot Uncle Owner's Installation, Manual

WARNING: SHUT POWER OFF AT FUSE OR CIRCUIT BREAKER

### WIRING SCHEMATIC DIAGRAM FOR RECEIVER

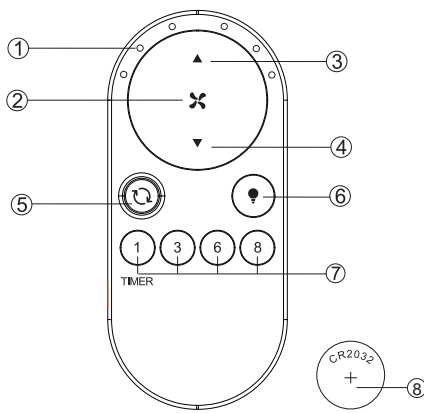


### POWER PARAMETER LIST

Voltage	Fan (max.)	Lamp (max.)
120 V	35W	18W

Adopt RF wireless digit emission technique, biunique controlled , coincident code rate is less than one millionth. (Emitter and receiver must be sent back to factory for maintenance if damaged.) Receiver can be controlled by any angles of the emitter in prescriptive space, unrestricted by direction. With the memory function, the controller can save the status( light and direction ) while the supply power OFF and resume to the original after reload the power supply.

### FUNCTION INSTRUCTION OF EMITTER



- ① LED indicated light
- ② ON/OFF the fan
- ③ Turn up the speed of the fan
- ④ Turn down the speed of the fan
- ⑤ Direction of the fan (reverse switch)
- ⑥ Short press: ON/OFF the light  
Long press: Adjust the brightness of the light
- ⑦ Timing control of the fan
- ⑧ 3V CR2032 battery X 1pcs

- a. ⚠ WARNING: Chemical Burn Hazard. Keep batteries away from children.
- b) This product contains a lithium button/coin cell battery. If a new or used lithium button/coin cell battery is swallowed or enters the body, it can cause severe internal burns and can lead to death in as little as 2 hours. Always completely secure the battery compartment. If the battery compartment does not close securely, stop using the product, remove the batteries, and keep it away from children. If you think batteries might have been swallowed or placed inside any part of the body, seek immediate medical attention.
- c) The cells shall be disposed of properly, including keeping them away from children; and
- d) Even used cells may cause injury

### KINDLY REMINDERS:

- If the emitter can not control the fan, learning code matching mode is used between emitter and receiver. Turn "ON" the supply power within 30 seconds and press the emitter's " ✕ " button for 5 seconds, it can load normally after hearing a long sound "bee", which means learning successfully and it can works normally. **(PS: Learning mode is not accepted after turn "ON" the supply power for 30 seconds)**
- When the emitter cannot control the receiver, please check the battery switch touching normally or not, correction of the positive and negative, full or empty of the power.
- When the emitter cannot control the receiver, please check is there any existence of similar remote controlled products nearby, then check whether they works, because remote controlled product with the same frequency will disturb each other.
- Low voltage of battery will affect the sensitivity of the emitter and the signal reception accordingly(the indicated light will flash out its warning when the battery get low voltage), must replace if the battery is getting low voltage.
- Please take out the battery from the emitter when leaving unused for long time.
- The maximum load of lighting see the above"POWER PARAMETER LIST"  
**PS: please connect the ground wire correctly, otherwise it may cause the light micro-light or flash**
- When installing the fan, the fan ceiling cover don't press the antenna (or other wire), it is easy to breakdown the wire and short-circuited.



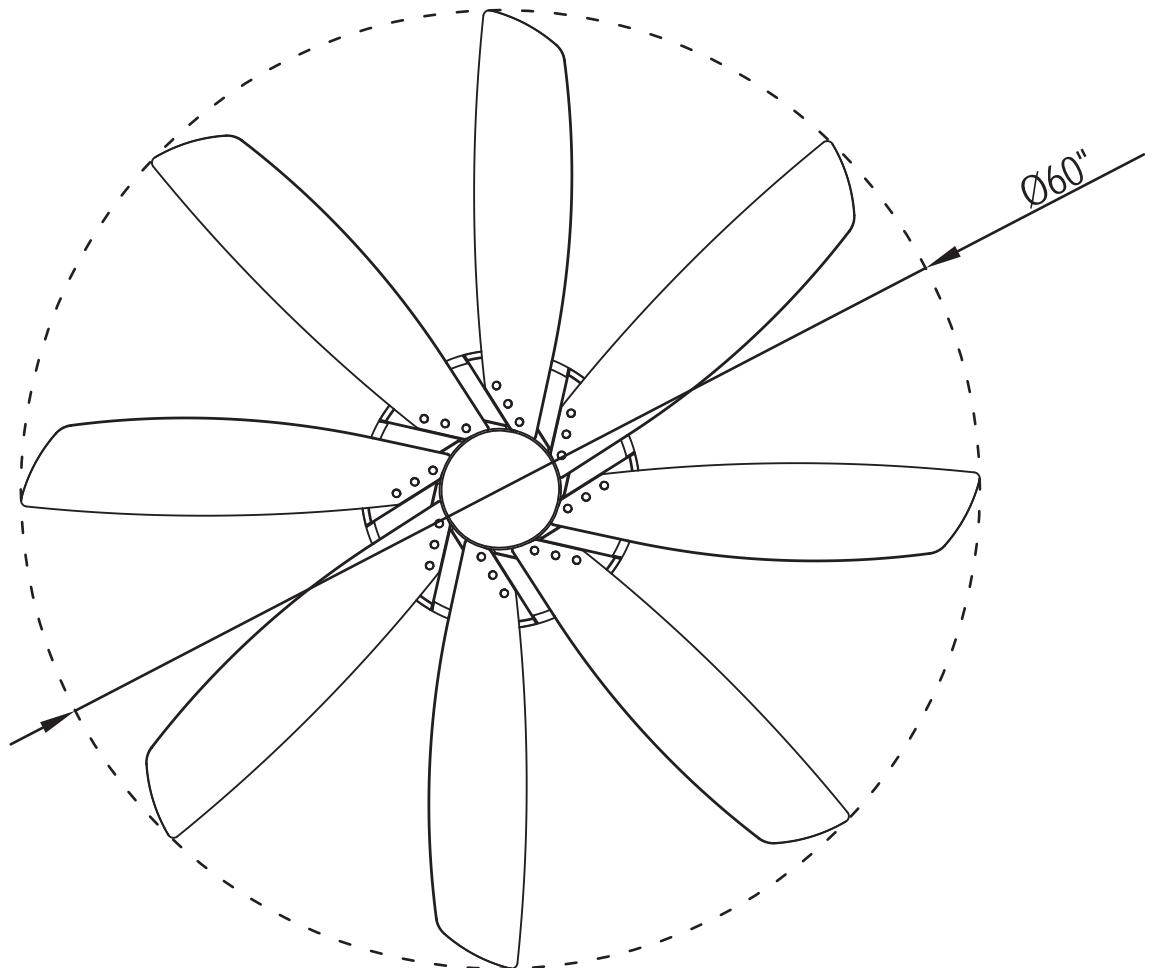
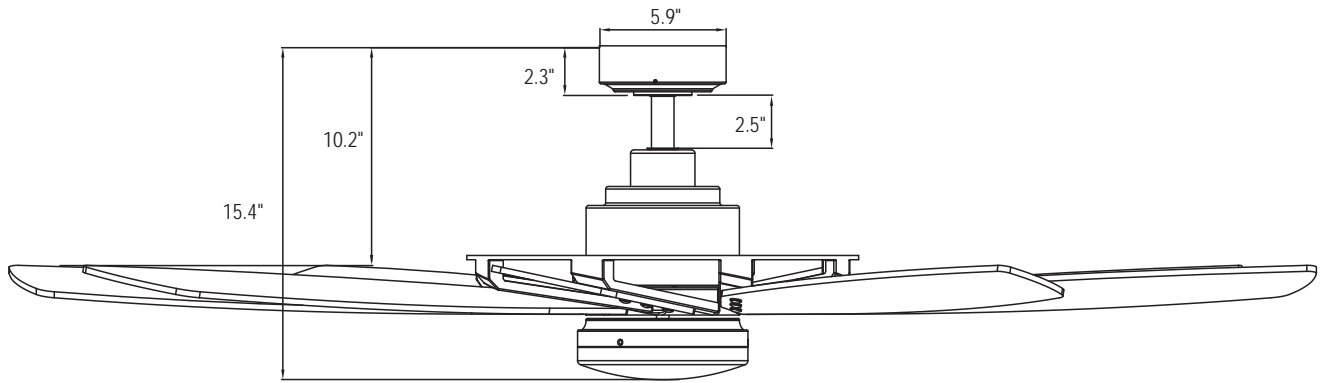
Parrot Uncle

F8249110V

Installation & Operating Instructions for the  
Parrot Uncle Owner's Installation, Manual

WARNING: SHUT POWER OFF AT FUSE OR CIRCUIT BREAKER

## SIZE OF PRODUCT





**Parrot Uncle**

**F8249110V**

Installation & Operating Instructions for the  
Parrot Uncle Owner's Installation, Manual

**WARNING: SHUT POWER OFF AT FUSE OR CIRCUIT BREAKER**

## **TROUBLESHOOTING GUIDE**

### **1.FAN / REMOTE IS NOT WORKING**

Ensure the remote is within the 20 foot range of the receiver
To reset the remote control: 1) Turn off power to fan using the wall switch or circuit breaker.
2) Remove batteries from remote. 3) Wait 10 seconds. 4) Replace batteries and turn power on
Check batteries to insure they are good and oriented correctly
Check to make sure the frequency switches (DIP Switches) from the remote to the receiver are set to the same frequency
Check the main and branch circuit fuses or breakers
If using a Variable Speed Wall Switch,ensure it is specifically designed for use with a ceiling fan.
Check the line wire connections to the fan and the switch wire connections in the switch housing per the instructions
If fan still does not work, please contact Customer Service Support@Parrot Uncle.com

### **2.THE FAN IS NOISY**

Make sure all motor housing screws are tight
Make sure the screws that attach fan blade to motor are tight
Make sure the wire nut connectors are not rattling against each other or the interior wall of the switch housing
Allow 24-hour break in period. Most noises associated with the new fan may disappear during this time
if using a ceiling light kit,make sure the glassware is secured tightly
Make sure there is a short distance/gap from the ceiling to the top of the canopy. The canopy should not touch the ceiling!
Make sure your ceiling box is secure and that the rubber insulating pads are used between the mounting bracket and outlet box

### **3.THE FAN WOBBLES**

Verify all blades and blade bracket screws are secure (most fan wobble problems are caused by loose parts).Once fan is properly installed,run the ceiling fan for 10 minutes to let the fan self-adjust.
If wobble occurs after running the fan for 10 minutes, verify blade level using the following process: a) select a point on the ceiling above the tip of one of the blades. Then select the fan blade and measure from the center of the selected blade to point on the ceiling. Rotate the fan until the next blade is positioned and repeat the measurement using the same point from the ceiling for every blade. Measurements should be within 1/8 inch. b) If all deviation are less than 1/8 inch and the fan continues to wobble, please contact Customer Service Support@Parrot Uncle.com to order a complimentary Blade Balancing Kit
-If all deviation are less than 1/8 inch and the fan continues to wobble, please contact Customer service Support@Parrot Uncle.com to order a complimentary Blade Balancing Kit.

### **4. LIGHT KIT DOES NOT WORK**

1) Check to see that the wire connections in the switch housing are connected.
2) Check for faulty light.
3) If light kit will still not operate, contact a qualified electrician for assistance.



Parrot Uncle

F8249110V

Installation & Operating Instructions for the  
Parrot Uncle Owner's Installation, Manual

WARNING: SHUT POWER OFF AT FUSE OR CIRCUIT BREAKER

## AFTER INSTALLATION

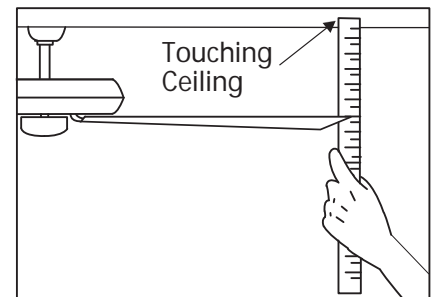
### Wobble

The fan blades have been adjusted in the factory to minimize any wobble

**Note:** ceiling fans tend to move during operation due to the fact that they are mounted on a rubber grommet. If the fan was mounted rigidly to the ceiling, it would cause excess vibration. Movement of a few centimeters is quite acceptable and does not suggest any problem to reduce the fan Wobble: Please check that all screws which secured the mounting bracket and downrod are secure.

### Balancing a wobbling ceiling fan:

1. Check that all blade and blade arm screws are secure.
2. Most fan wobbling problems are caused when blade levels are unequal. Check this level by electing a point on the ceiling above the tip of one of the blades. Measure this distance. Rotate the fan until the next blade is positioned for measurement. Repeat for each blade. The distance deviation should be equal within 1/8" (0.32cm).
3. If the blade wobble is still noticeable, Interchanging two adjacent (side by side) blades can redistribute the weight and possibly result in smoother operation.



**Warning:** To reduce the risk of personal injury, Do not bend the blade arm while installing, Balancing the blades, or cleaning the fan. Do not insert foreign objects between rotating fan blades.

### Noise

When it is quiet (especially at night) you may hear occasional small noises. This is normal.

Please allow a 24-hour "breaking-in" period, Most noises associated with a new fan disappear during the time.

### Care and cleaning

1. Periodic cleaning of your ceiling fan is the only maintenance required. Use a soft brush or lint free cloth to avoid scratching the paint finish. Please make sure to turn off electricity power before you clean your fan
2. Do not use water when cleaning your ceiling fan. It could damage the motor or the blades and create the possibility of an electrical shock.
3. Motor has permanently lubricated ball bearing. No need to oil.

**Note:** Make sure the power is off at the electrical panel box before you attempt any cleaning or repairs.



Parrot Uncle

F8249110V

Instrucciones de instalación y funcionamiento del Propietario Instalación de Parrotuncle, manue

ADVERTENCIA: DESCONECTE LA ALIMENTACIÓN EN EL FUSIBLE O DISYUNTOR

## Información de seguridad

- Para reducir el riesgo de descarga eléctrica, la electricidad se ha desconectado en el disyuntor o caja de fusibles antes de empezar.
- Todo el cableado debe cumplir con el Código Eléctrico Nacional NASI/NFPA 70-1999 y los códigos eléctricos locales. La instalación eléctrica debe ser realizada por un electricista cualificado y autorizado.
- La caja de salida y la estructura de soporte deben estar montadas de forma segura y ser capaces de soportar de forma fiable 35lb.(15,9kg). Utilice sólo cajas de salida listadas UL marcadas "Aceptable para soporte de ventilador de 35lbs(15,9kg) o menos".
- El ventilador debe montarse con un espacio mínimo de 7 pies (2.1m) entre el borde de salida de las aspas y el suelo.
- No accione el interruptor de marcha atrás mientras las aspas del ventilador estén en movimiento. Debe apagar el ventilador y detener las aspas antes de invertir la dirección de las aspas.
- No coloque ningún objeto en la trayectoria de las aspas.
- Para evitar lesiones o daños al ventilador y a otros objetos, tenga cuidado cuando trabaje alrededor del ventilador o lo limpie.
- Los diagramas de cableado son meramente orientativos. Los kits de iluminación que no se suministran con el ventilador deben estar homologados por UL y marcados como adecuados para el modelo de ventilador que está instalando. Los interruptores deben ser interruptores de uso general UL. Consulte las instrucciones empaquetadas con los kits de iluminación y los interruptores para un correcto montaje.
- Después de hacer las conexiones eléctricas, los conductores empalmados deben girarse hacia arriba y empujarse con cuidado en la caja de salida. Los cables deben extenderse con el conductor de tierra y el conductor de tierra del equipo en un lado de la caja de salida.
- Todos los tornillos de fijación deben ser revisados y apretados si es necesario antes de la instalación.



**ADVERTENCIA:** Para reducir el riesgo de lesiones, no doble los soportes de las cuchillas (también conocidos como bridas) durante el montaje o después de la instalación y no introduzca objetos en la trayectoria de las cuchillas.



**ADVERTENCIA:** Retire los toques de goma del motor situados en la parte inferior del ventilador antes de instalar las aspas o probar el motor.



**ADVERTENCIA:** Para reducir el riesgo de incendio o descarga eléctrica, no utilice este ventilador con un dispositivo de control de velocidad de estado sólido.



**ADVERTENCIA:** Para evitar el riesgo de descarga eléctrica, desconecte la alimentación en la caja de fusibles principal antes de realizar el cableado. Si considera que no tiene suficientes conocimientos o experiencia en cableado eléctrico, póngase en contacto con un electricista autorizado.



**ADVERTENCIA:** Los esquemas eléctricos son orientativos. El uso opcional de cualquier kit de iluminación debe estar homologado por UL y marcado como adecuado para su uso con este ventilador.



**ADVERTENCIA:** Para reducir el riesgo de incendio, descarga eléctrica o lesiones personales, instale la unidad en una caja de toma de corriente marcada como "Aceptable para un ventilador que pese 35 lbs (15.9 kg) o menos" y utilice los tornillos suministrados con la caja de toma de corriente.

### INFORMACIÓN TÉCNICA

SKU	Tensión nominal	Potencia nominal (motor)	Iluminación
F8249110V	120Vac	35W	18W



**Parrot Uncle**