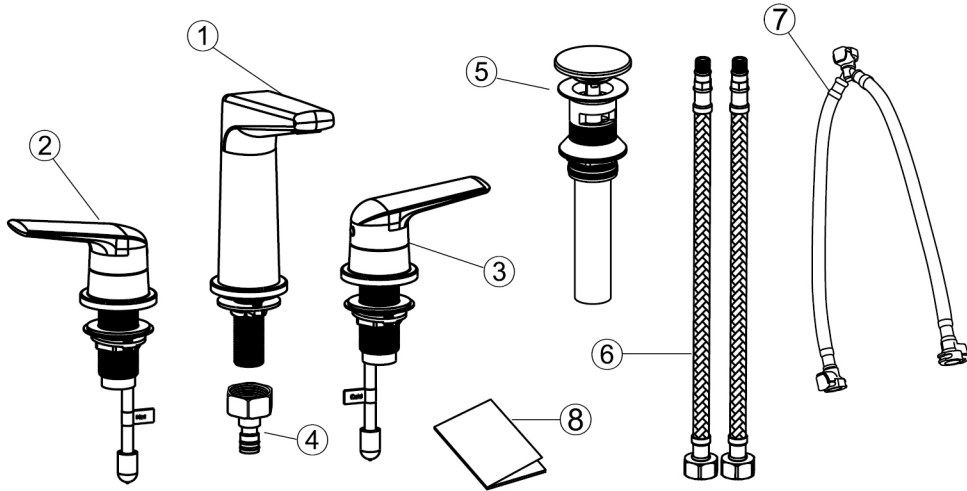


# INSTALLATION INSTRUCTIONS



## Parts list

NO	PART NAME	QTY	NO	PART NAME	QTY
①	Spout Parts	1	⑤	Pop-up Drain Stopper	1
②	Hot Water Lever Parts	1	⑥	Water Supply Hose	2
③	Cold Water Lever Parts	1	⑦	Quick Connector Hose	1
④	Quick Connector	1	⑧	Instructions	1

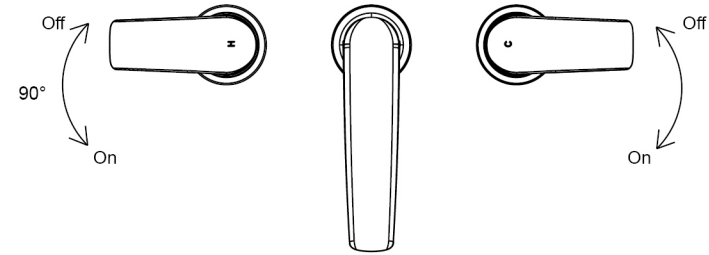
## Installation Precautions

1. After unpacking the package, please check whether the accessories are complete according to the "Accessories List". If there are any missing accessories, please contact us immediately
2. The main faucet body has been inspected and tested before leaving factory, please do not disassemble it by yourself
3. In order to avoid blockage and affect use, please remove the impurities and sludge in the water pipe before installing the faucet
4. Use a mild liquid detergent for cleaning, do not use abrasive detergent that may scratch or dull the surface

## Instructions for use

1. Turn left lever counterclockwise to turn on hot water. The greater the lever angle, the greater the water flow; Conversely, the smaller the lever angle, the smaller the water flow, until it is closed.

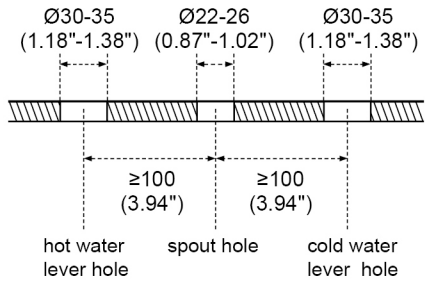
2. Turn right lever clockwise to turn on cold water. The greater the lever angle, the greater the water flow; Conversely, the smaller the lever angle, the smaller the water flow, until it is closed.



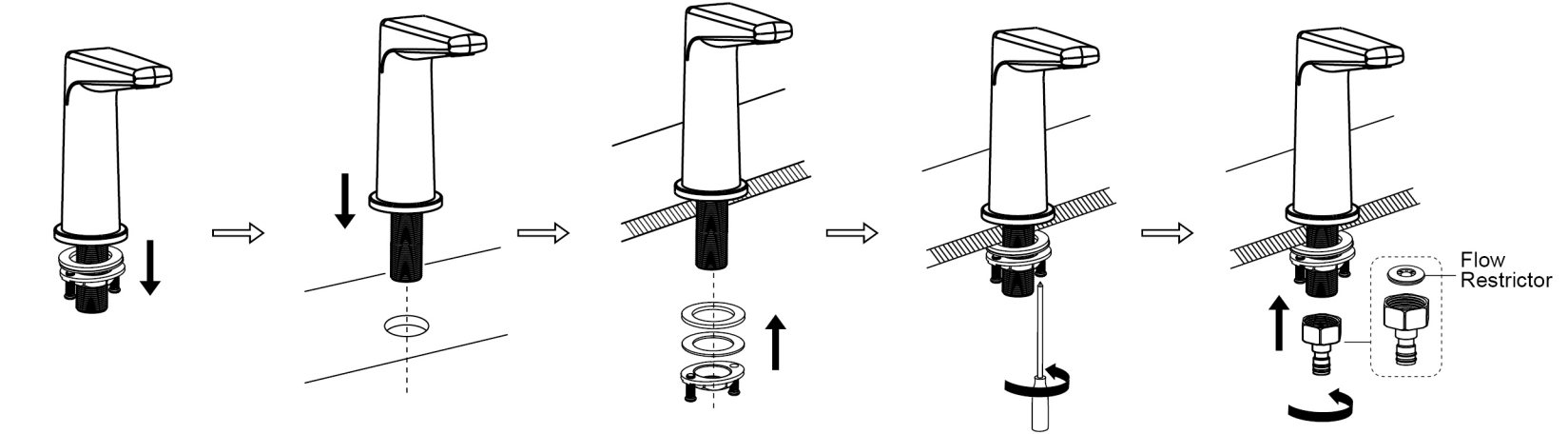
## Installation Steps

<p><b>1</b></p> <p>Remove all components from drain piece including: thin and thick silicone washer, hard washer, drain nut and tail piece.</p>	<p><b>2</b></p> <p>Insert the thick silicone washer and hard washer onto the exposed threads, then screw on the drain nut. Do not overtighten.</p>
<p><b>3</b></p> <p>Screw tail piece onto drain using the tail washer.</p>	<p><b>4</b></p> <p>Install the drainage system and check for leaks.</p>

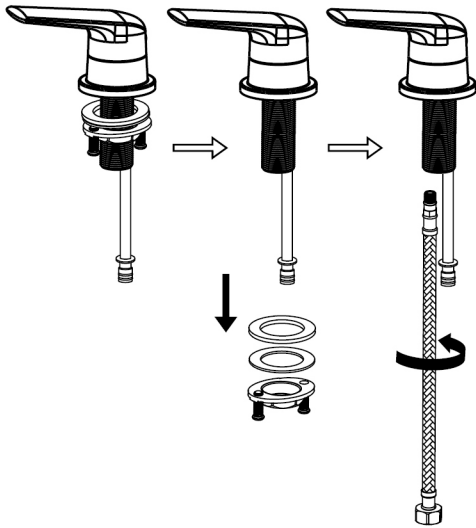
Recommended opening  
holes size: (unit: mm / inch)



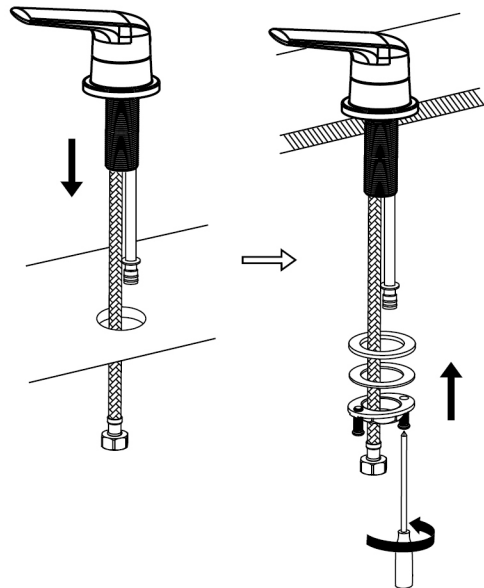
1. Drill holes as recommended opening holes size (Note: holes distance should as picture shows)



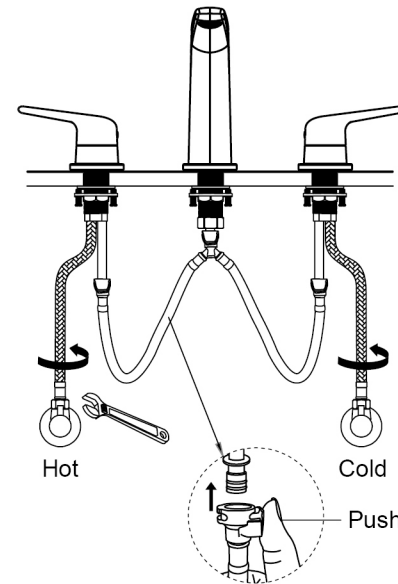
2.(1) Unscrew washers and locking nut from thread connector, place spout into hole. Rescrew washers and locking nut to thread connector then tighten the screws on the locking nut with cross screwdriver.  
 (2) Screw quick connector to the thread connector as picture shows.  
 (Note: Please make sure there is a flow restrictor inside the quick connector)



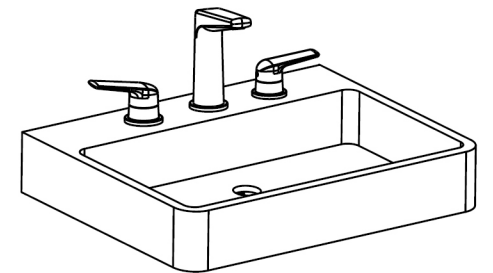
3. Unscrew washers and locking nut from thread connector of hot & cold water lever; Screw hot & cold water supply hoses to the hot & cold water lever holes and hand tighten them.



4. Place hot and cold water lever parts into holes; Rescrew washers and locking nut to thread connector until can not move, then tighten the screws on the locking nut with cross screwdriver.



5. As picture shows, connect quick connector hose to the connectors of spout and hot and cold water levers, then screw hot and cold water supply hoses to hot and cold angle valves and tighten them with wrench.



6. Turn on water, check for leakage, retighten the hoses if necessary.