

24" Single Wall Oven

500 Series – Stainless Steel HBE5452UC



BOSCH
Invented for life



HBE5452UC
Stainless Steel

The 24" Bosch Wall Oven with Wi-Fi Connectivity features Convection Pro and is designed for kitchens with a smaller footprint.

Features & Benefits

Convection Pro combines a third heating element with a back fan for even browning and time savings by using multiple racks at one time.

Unique ring control design with TFT display.

The wall oven is designed to be installed flush with your cabinetry.

EcoClean® system uses cavity coating and heat to burn off most grease.

Download Bosch Home Connect® application and control wall oven with your smart phone or tablet.

General Properties

Home Connect® (WiFi enabled)	Yes
Oven modes	Convection Multi-Rack, Bake, Pizza, Roast, Proof, Convection Broil, Broil, Slow Cooking, Defrost, Plate Warming, Warming
Cleaning type	EcoClean® Coating
Illumination type	Halogen
Interior lights	1

Oven Performance

Bake / broil element	1,420 / 3,050 W
Convection element	2,300 W

Technical Details

Watts	3,840 W
Circuit breaker	20 A
Volts	240 / 208 V
Frequency	60 Hz
Power cord length	60"
Plug type	Fixed Connection, No Plug
Energy source	Electric

Dimensions & Weight

Overall appliance dimensions (HxWxD)	23 7/16" x 23 7/16" x 22 13/16"
Required cutout size – Standard (HxWxD)	23 1/16" x 22 1/8" x 23 1/2"
Required cutout size – Flush (HxWxD)	23 5/8" x 23 3/4" x 23 5/8"
Oven cavity size	2.5 cu. ft.
Overall oven interior dimensions (HxWxD)	14 1/2" x 18 7/8" x 17 3/8"
Usable oven interior dimensions (HxWxD)	11 1/2" x 15 1/2" x 15 5/8"
Net weight	83 lbs

Accessories—Included

Included	3 Standard Oven Racks
----------	-----------------------



† To be fully ADA compliant, these units must be installed according to ADA guidelines. Please check current ADA requirements for guidance on installation.

Accessories: To purchase Bosch accessories, cleaners & parts please visit www.bosch-home.com/us/store or call 1-800-944-2904 (Mon to Fri 5 am to 6 pm PST, Sat 6 am to 3 pm PST).

Notes: All height, width and depth dimensions are shown in inches. BSH reserves the absolute and unrestricted right to change product materials and specifications, at any time, without notice. Consult the product's installation instructions for final dimensional data and other details prior to making cutout.

Warranties: Please see Use & Care manual or Bosch website for statement of limited warranty.

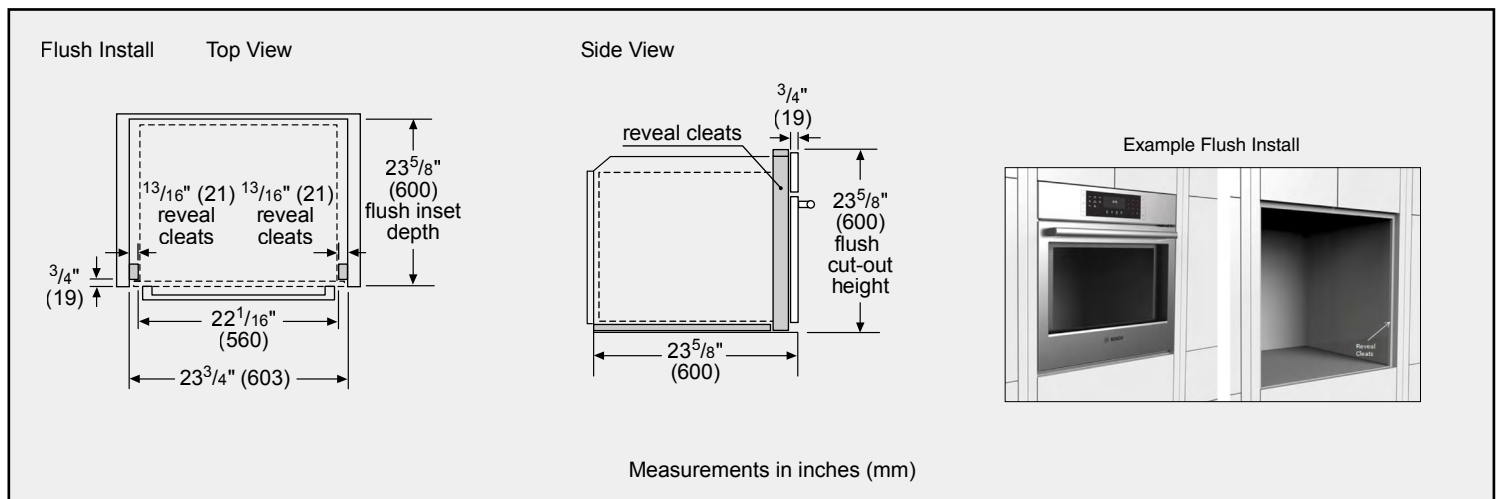
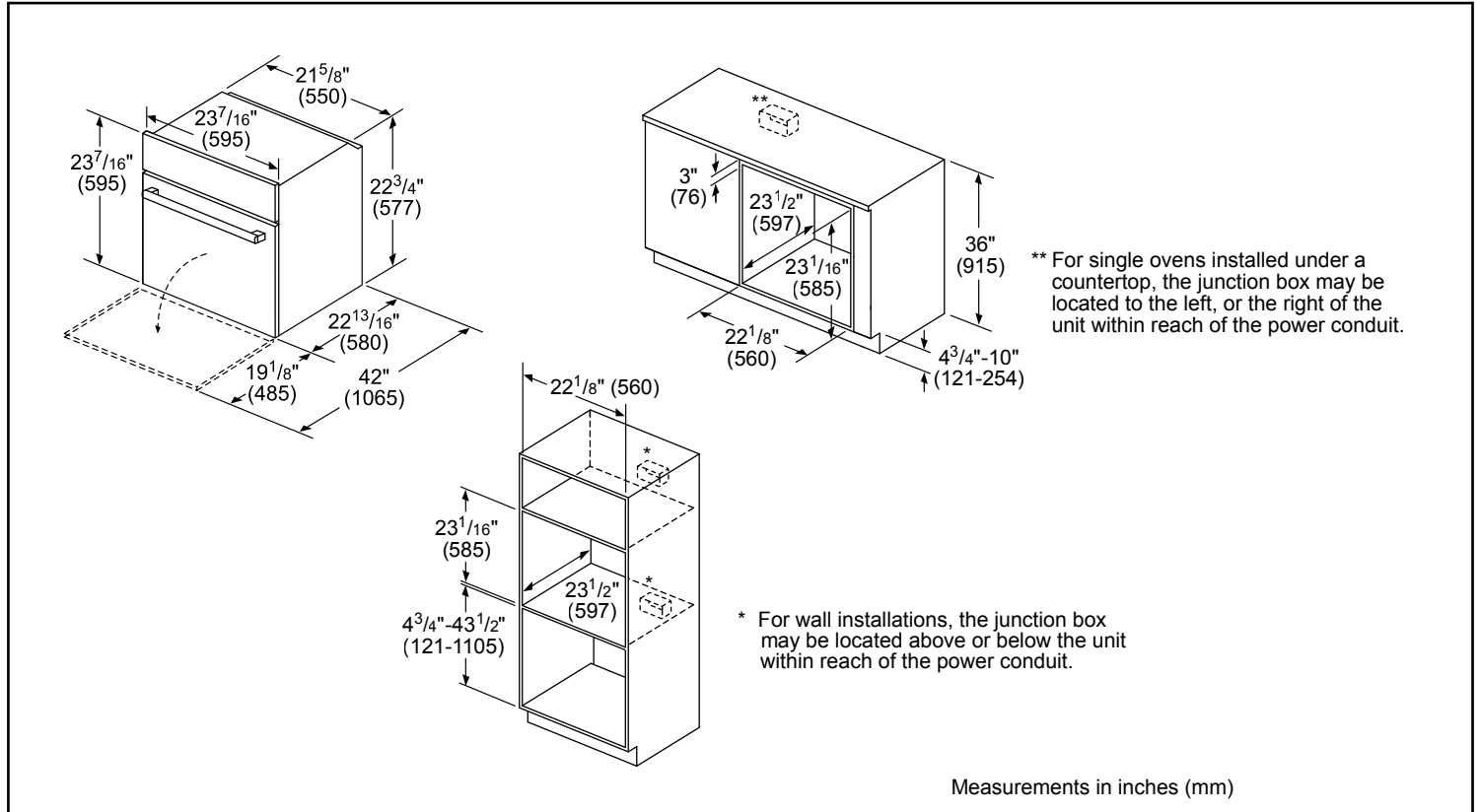
For more information on our entire line of products, go to www.bosch-home.com/us or call 1-800-944-2904

© BSH Home Appliances Corporation. All rights reserved. Bosch is a registered trademark of Robert Bosch GmbH.

24" Single Wall Oven

500 Series – Stainless Steel HBE5452UC

Installation Details



Accessories: To purchase Bosch accessories, cleaners & parts please visit www.bosch-home.com/us/store or call 1-800-944-2904 (Mon to Fri 5 am to 6 pm PST, Sat 6 am to 3 pm PST).

Notes: All height, width and depth dimensions are shown in inches. BSH reserves the absolute and unrestricted right to change product materials and specifications, at any time, without notice. Consult the product's installation instructions for final dimensional data and other details prior to making cutout.

Warranties: Please see Use & Care manual or Bosch website for statement of limited warranty.

For more information on our entire line of products, go to www.bosch-home.com/us or call 1-800-944-2904

© BSH Home Appliances Corporation. All rights reserved. Bosch is a registered trademark of Robert Bosch GmbH.