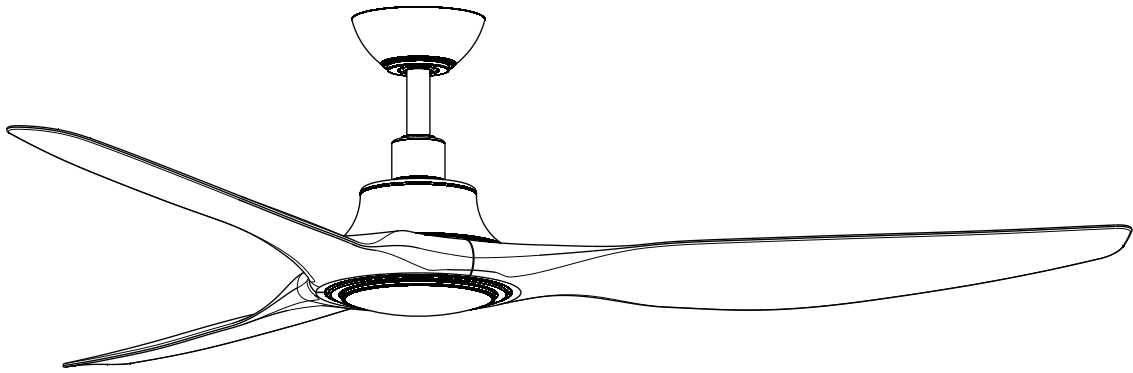




Parrot Uncle

F6390BK-SMART F6390WH-SMART





F6390BK-SMART/F6390WH-SMART


Installation & Operating Instructions for the Parrotuncle Owner's Installation, Manual


WARNING: SHUT POWER OFF AT FUSE OR CIRCUIT BREAKER


Safety Information


1. To reduce the risk of an electrical blow, electricity on the protective switch or the safety box went out before starting.
2. All wiring must correspond to the NASI/NFPA 70-1999 National Electric Code and local electrical regulations. The electrical installation must be carried out by a qualified and approved electrician.
3. The connection box and support construction must be assembled safely and 35 pounds (15.9 kilos) must be able to transport reliably. Use only output boxes listed with labeling
"Accepted for fans with a weight of 35 lbs (15.9 kg) or less."
4. The fan must be installed with a minimum distance of 2.1 m (7 feet) from the posterior edge of the wings to the floor.
5. Do not operate the reverse switch if the fan wings are moving. You have to turn off the fan and stop the wings before reverse the direction of the wing.
6. Do not place objects on the road to wings.
7. To avoid lesions or damage to the fan and other objects, be careful if you work on the fan or clean it.
8. Electrical diagrams only serve as a reference. The lighting rates that are not delivered with the fan must be listed and marked with the valve model that will be installed for use. The switches must be general use switches UL. Take into account the instructions for the appropriate installation included in the lighting rates and the switches.
9. After the electrical connections have been made, the size staircase must be turned up and carefully push to the plug box. The cables must be distributed in such a way that the ground connected driver and the device head are next to the socket.


All fixing screws must be verified before installation and, if necessary, followed.


 **WARNING:** To reduce the risk of injury, knife supports (also known as flanges) cannot be folded during installation or after installation. Do not put any object on the path of wings.

 **WARNING:** Remove rubber motor attacks at the bottom of the fan before mounting the wings or try the engine.

 **WARNING:** To avoid the risk of a fire or an electrical blow, this fan should not be used with a semiconductor speed controller.

 **WARNING:** To avoid a possible electric shock, turn off the current in the main security box before wiring. If you feel that you do not have enough knowledge or experience in electrical wiring, communicate with a license electrician.

 **WARNING:** Electrical diagrams only serve as a reference. The optional use of a lighting rate must be on the list and marked with this fan for use.

 **WARNING:** To reduce the risk of fires, electrical discharges, or injuries, assemble the device in a socket that with the inscription is accepted for fans with a weight of 35 lbs (15.9 kg) or less. It is marked and use the screws supplied with the plug.

TECHNICAL INFORMATION









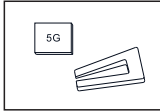
SKU	Nominal voltage	Nominal output (motor)	Light
F6390BK-SMART	110V AC	28W	22W (included)
F6390WH-SMART	110V AC	28W	22W (included)

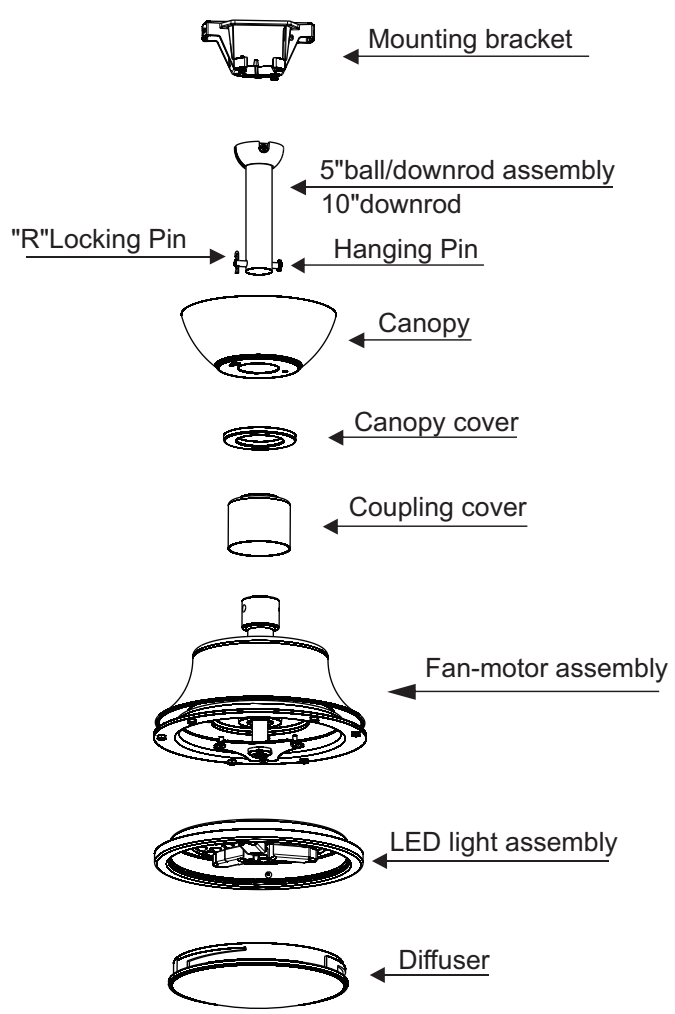
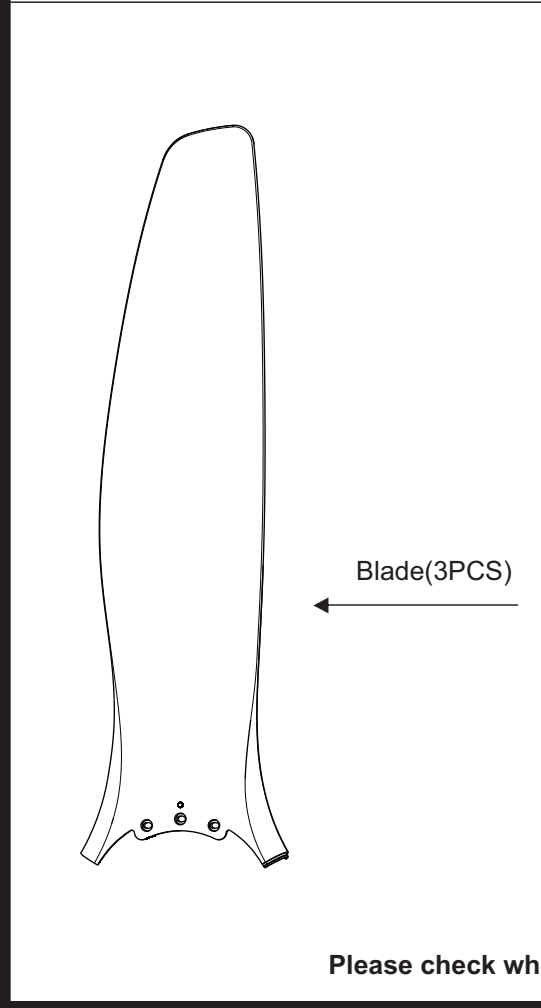
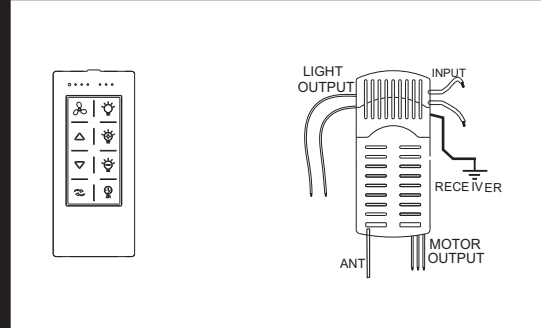


F6390BK-SMART/F6390WH-SMART

Installation & Operating Instructions for the Parrotuncle Owner's Installation,Manual

WARNING: SHUT POWER OFF AT FUSE OR CIRCUIT BREAKER

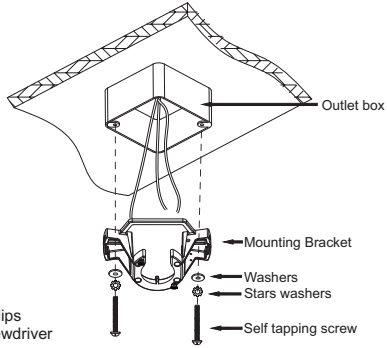
 Blade screw(7PCS)  Plastic wire nut (8PCS)  Fan-motor cover screw(4PCS)	 Mounting screw (2PCS)  Washer (4PCS)  Wood Screw (4PCS)	 Spring Washer (4PCS)  Star washer(4PCS)  Balanced parts package(1PCS)
---	---	---



Please check whether above accessories are completed or not? Yes,and install.

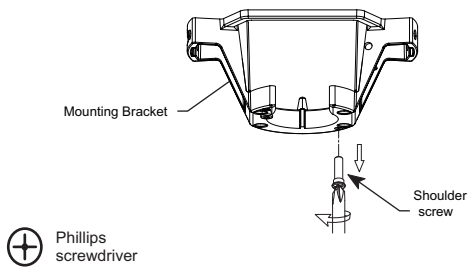
WARNING: SHUT POWER OFF AT FUSE OR CIRCUIT BREAKER

1



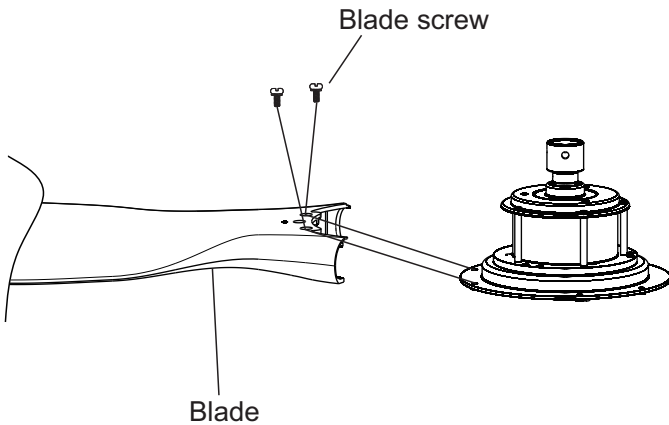
Mount the mounting bracket to the outletbox using two self tapping screws, two stars washers and two washers.

2

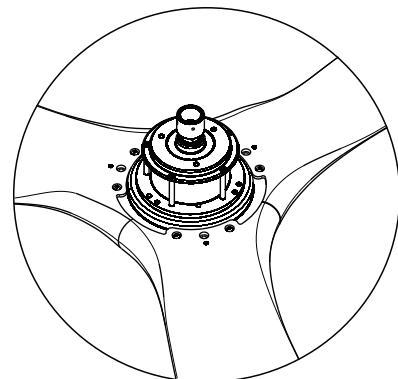


Remove the shoulder screws from the mounting bracket.

3



Lock the blade to the fan-motor assembly with two screws. Repeat this step two times.



Finish

Phillips screwdriver



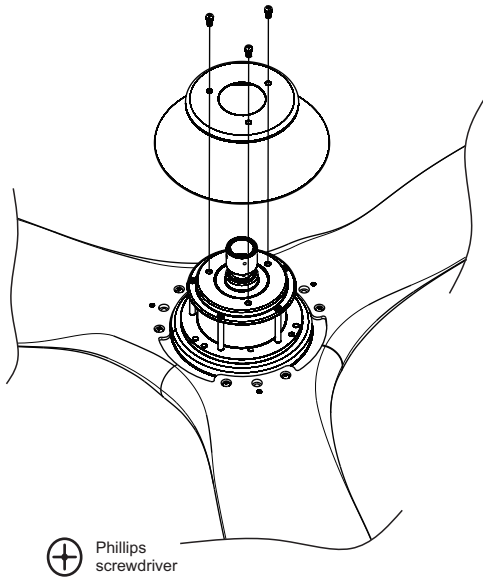
Parrot Uncle

F6390BK-SMART/F6390WH-SMART

Installation & Operating Instructions for the Parrotuncle Owner's Installation, Manual

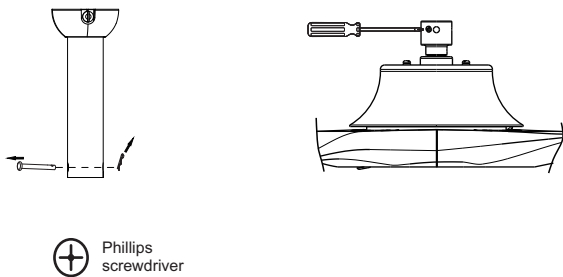
WARNING: SHUT POWER OFF AT FUSE OR CIRCUIT BREAKER

5



Lock fan-motor cover to the fan-motor assembly with three screws.

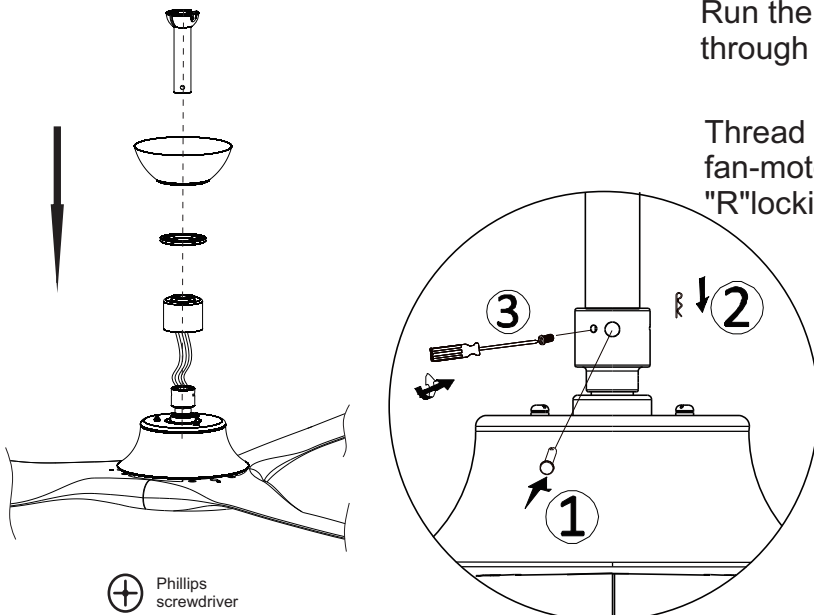
6



Remove the hanging pin and "R" locking pin from the downrod.

Loosen the two screws at the top of the fan-motor assembly.

4



Pass the downrod assembly through the canopy, canopy cover, coupling cover. Run the wires of the fan-motor assembly through the downrod assembly.

Thread the hanging pin through the fan-motor assembly and insert the "R" locking pin. Lock the two screws.



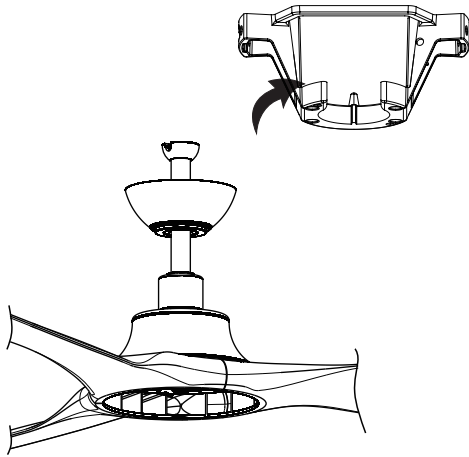
Parrot Uncle

F6390BK-SMART/F6390WH-SMART

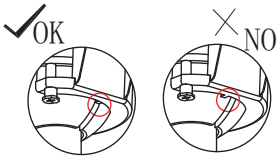
Installation & Operating Instructions for the
Parrotuncle Owner's Installation, Manual

WARNING: SHUT POWER OFF AT FUSE OR CIRCUIT BREAKER

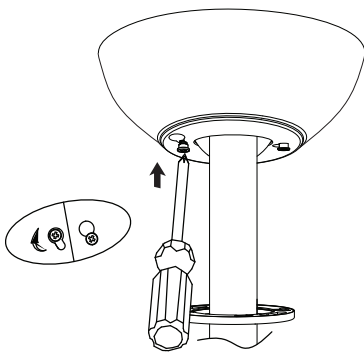
5



Install the fan-motor assembly into the mounting bracket, taking care to install it in place.

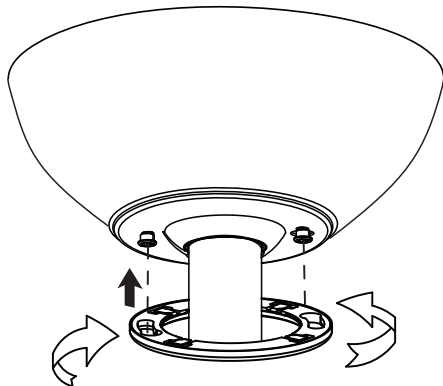


6



Use the shoulder screw to lock the canopy to the mounting bracket.

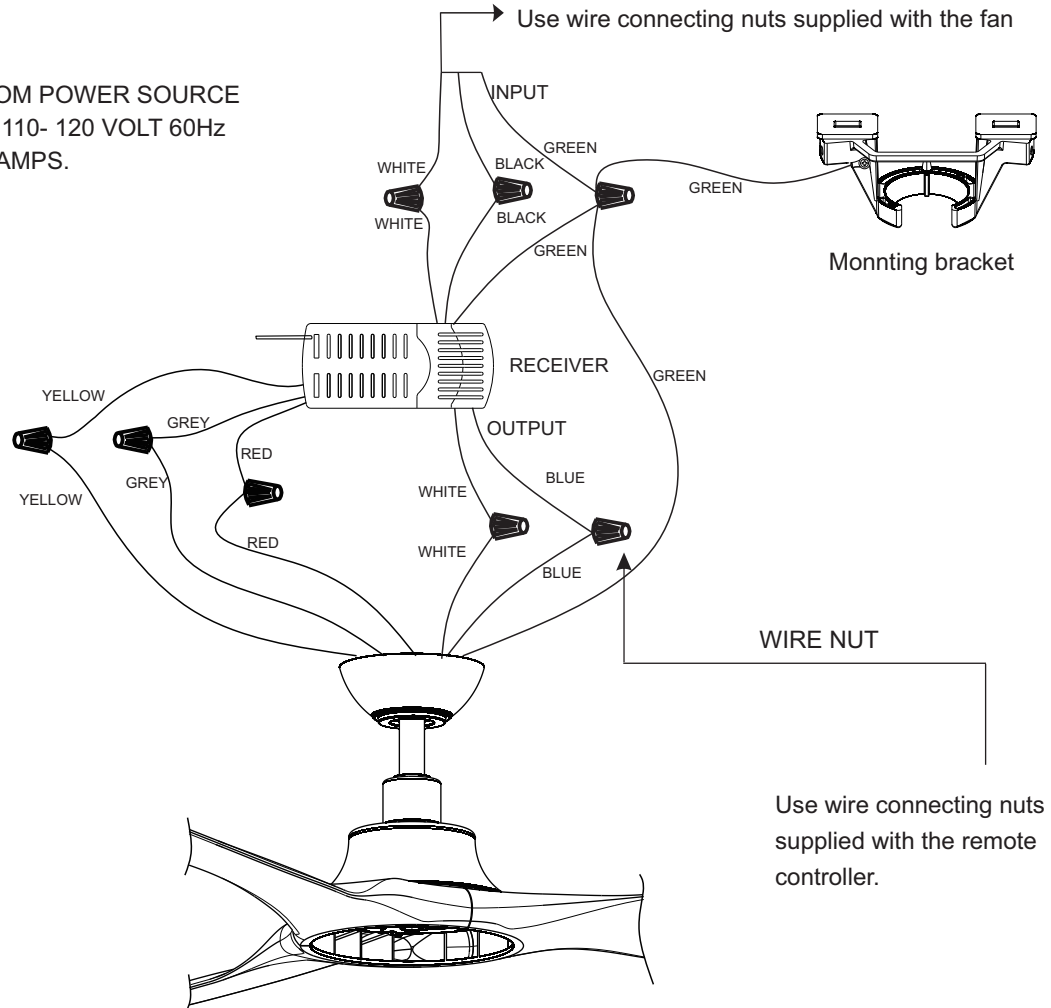
Securely attach and tighten the canopy cover over the shoulder screw heads in the mounting bracket utilising the key slot twistlock feature.



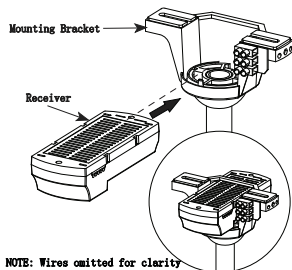
 Phillips
screwdriver

7

FROM POWER SOURCE
AC 110- 120 VOLT 60Hz
3.5AMPS.



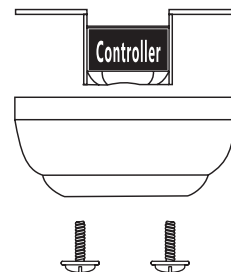
Install remote control



1. Carefully push the canopy to the bottom of the mounting bracket, make two sliding holes aligned to the two prominent screws on the mounting bracket, and then turn clockwise until tight.
2. Push the canopy ring to the bottom of the canopy, slide the inner holes aligned to the two prominent screws on the mounting bracket again, and turn the canopy ring clockwise until tight.

Remote control <ONLY>

Preparing for mounting



1. Remove the mounting bracket from the canopy by loosening the two canopy screws located in the L shaped slots.
2. Remove and save the two canopy screws in the round holes. This will enable you to remove the mounting bracket.



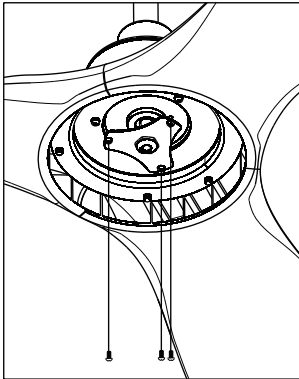
Parrot Uncle


F6390BK-SMART/F6390WH-SMART

Installation & Operating Instructions for the
Parrotuncle Owner's Installation, Manual

WARNING: SHUT POWER OFF AT FUSE OR CIRCUIT BREAKER

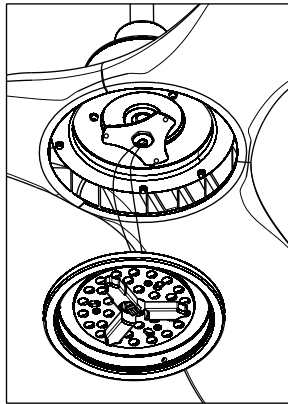
8



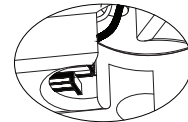
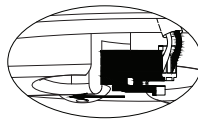
 Phillips
screwdriver

Loosen three screws from the fan-motor
assembly.

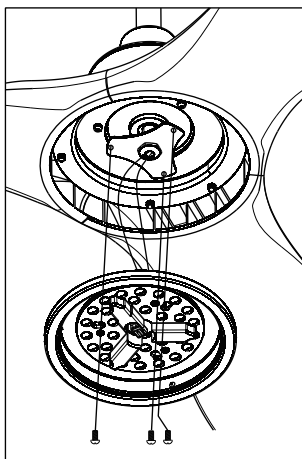
9



Connect the WIRE CONNECTOR to the
LED light assembly.



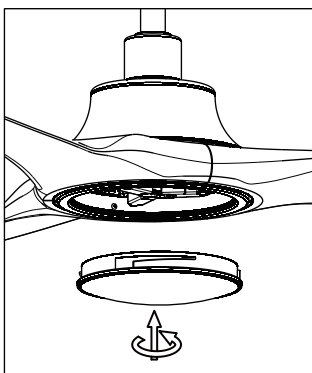
10



 Phillips
screwdriver

Attach the LED light assembly to the fan
motor assembly use three screws.

11



Attach the diffuser to the LED light
assembly fixture by gently turning the
cover anti-clockwise until it is fixed firmly
in place.



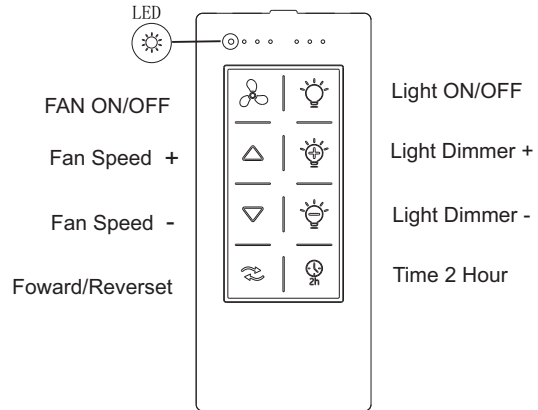
F6390BK-SMART/F6390WH-SMART

Installation & Operating Instructions for the Parrotuncle Owner's Installation,Manual

WARNING: SHUT POWER OFF AT FUSE OR CIRCU IT BREAKER

NOTE:

Find The APP Fan Device:
 If you power on the fan for more than 3 minutes, you will not be able to search for the device. At this time, you need to reset your fan: Turn fan power off and back on at the wall switch, with in 30 seconds, press the "FAN ON/OFF" button for 10 seconds to reset.



If there are two or more ceiling fans installed in the same house, in order to prevent your ceiling fans from being affected by the remote control of the adjacent ceiling fans.

(Power-off means you need to use a wall switch to shut down the power of the ceiling fan, if you do not have a wall switch, please power off the whole room from the air circuit-breaker for each room)

After installing the remote control receiver on the ceiling fan

1: Turn on the power of the 1# ceiling fan receiver (the power of the 2# receiver is kept in a power-off state),Turn on the supply power within 5 seconds and press the REMOTE CONTROL "LEARN" button for 3 seconds, it can load normally after seen fan light flash twice, which means learning successfully and it can works normally.

2: Turn on the power of the 2# ceiling fan receiver (the power of the 1# receiver is kept in a power-off state),Turn on the supply power within 5 seconds and press the REMOTE CONTROL "LEARN" button for 3 seconds, it can load normally after seen fan light flash twice, which means learning successfully and it can works normally.

FCC Statement:

This device complies with Part 15 of the FCC Rules. Operation is subject to the following two conditions.

This device may not cause harmful interference.

This device must accept any interference received, including interference that may cause undesired operation. Changes or modifications not expressly approved by the party responsible for compliance could void the user's authority to operate the equipment.

NOTE: This equipment has been tested and found to comply with the limits for a Class B digital, pursuant to Part 15 or the FCC

Rules. These limits are designed to provide reasonable protection against harmful interference in a residential installation. This equipment generates, uses and can radiate radio frequency energy and, if not installed and used in accordance with the instructions, may casue harmful interference to radio communications,

However, there is no guarantee that interference will not occur in a particular installation. If the equipment does cause harmful interference to radio or television reception, which can be determined by turning the equipment off and on, the user is encouraged to try to correct the interference by one or more of the following measures:

- Reorient or relocate the receiving antenna.
- Increase the separation between the equipment and receiver.
- Connect the equipment into an outlet on a circuit different from that to which the receiver is connected.
- Consult the dealer or an experienced radio/ TV technician for help.

WARNING:

Do NOT install this fan with variable speed wall control or wall-mounted dimmer switch. It will permanently damage the fan's remote control and cause the fan's function to fail.



NO Variable speed wall control



NO Dimmer switch