

INSTRUCTION MANUAL

Model: CM241

Read all instruction before use

IMPORTANT SAFEGUARDS

When using electrical appliances, basic safety precautions should always be followed to reduce the risk of fire, electric shock, and/or injury to persons, including the following:

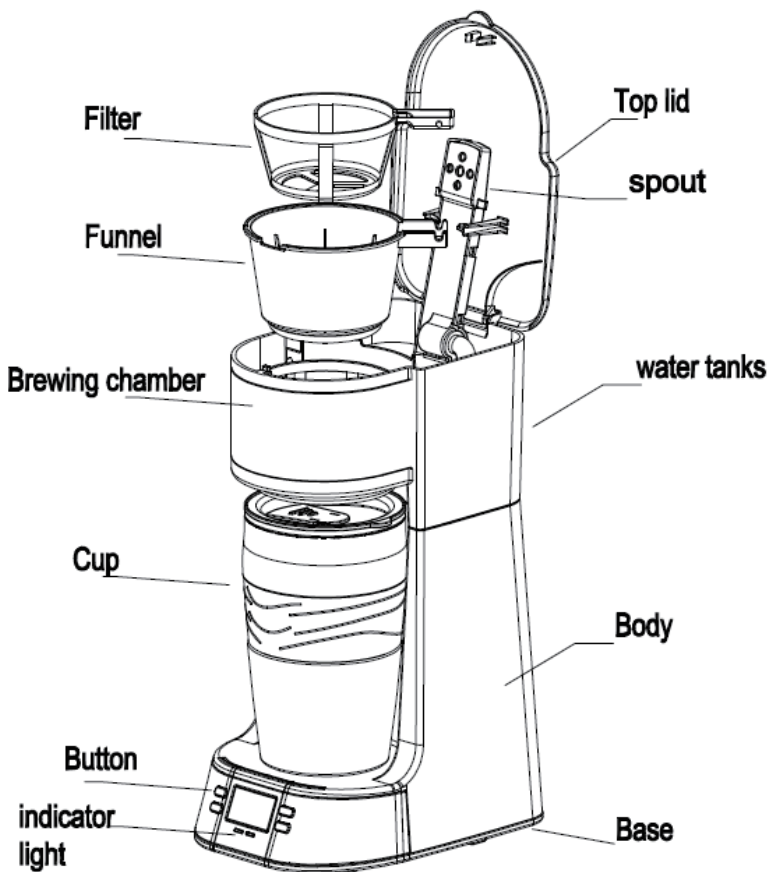
- ◆ Do not touch hot surfaces. Use handle or knobs.
- ◆ To protect against electric shock, do not place cord, plug or appliance in water or other liquids.
- ◆ Close supervision is necessary when any appliance is used by or near children.
- ◆ Unplug from outlet when not in use and before cleaning. Allow to cool before putting on or taking off parts and before cleaning the appliance.
- ◆ Do not operate any appliance with a damaged cord or plug or after the appliance malfunctions, or has been damaged in any manner. Return the appliance to the nearest authorized service facility for examination, repair, or adjustment.
- ◆ The use of an accessory not evaluated for use with this appliance may cause injuries.
- ◆ Do not use outdoors.
- ◆ Do not let cord hang over the edge of table or counter, or touch with hot surfaces.
- ◆ Do not place on or near a hot gas or electric burner or in a heated oven.
- ◆ Do not use this appliance for other than intended use.
- ◆ Keep the lid on the mug when in use.
- ◆ Scalding may occur if the lid is removed during the brewing cycles.
- ◆ To disconnect, remove plug from wall outlet

SAVE THESE INSTRUCTIONS FOR FUTURE REFERENCE

SPECIAL INSTRUCTIONS:

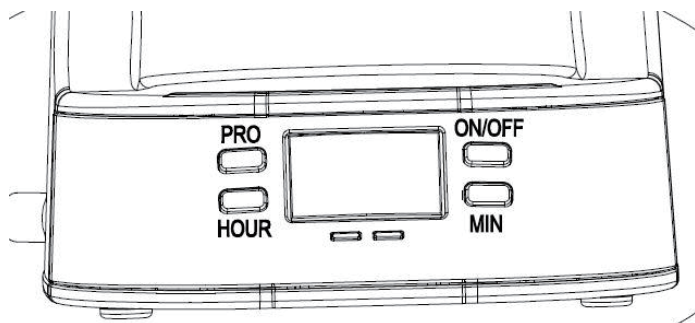
A short power supply cord is provided to reduce the risk of becoming entangled in or tripping over a longer cord. Extension cords are available and may be used if care is exercised in their use, if one is used:

- The marked electrical rating of the extension cord must be at least as great as that of appliance ;
- If the appliance is of the grounding type, the extension cord must be a grounding type 3-wire cord;
- The longer cord should be arranged so that it will not drape over a countertop or tabletop where it can be pulled on by children or tripped over.



Par

Control plane:



Coffee filter:

This coffee maker comes with a filter, A paper filter can't be used in place of filter.

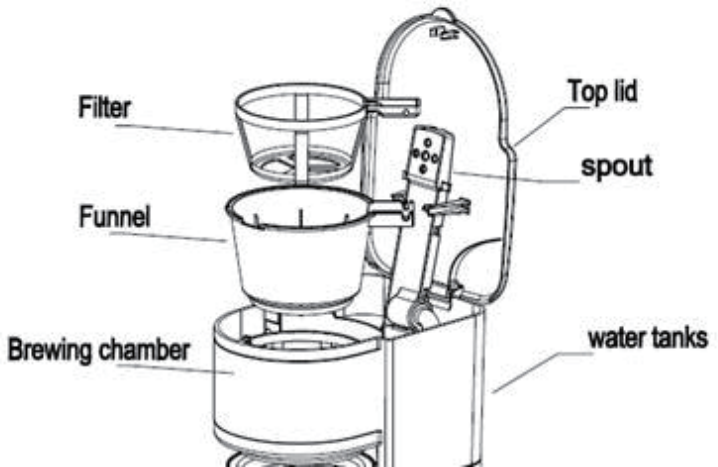
Before first use

1. Clean the CUP , mug lid , filter, and filter in funnel , soapy water , thoroughly rinse.
2. Brew two mugs of water according to the brewing coffee section but do not add coffee grounds.

Brewing coffee

1. Lift the top lid and fill the water tanks with 14oz of water (about one full cup)
2. Put three tablespoons of finely ground coffee or four tablespoons of regular ground coffee into the filter for a full cup of coffee.

Note: regular coffee grounds require more coffee per cup to achieve the strength of finer coffee grounds



3. Gently shake the filter to distribute the coffee evenly.
4. Place the filter into the funnel and place filter into the brewing chamber(see the figure)
5. Close the top lid.
6. Remove the lid from the cup and place the cup into the base.
7. Plug the power cord into a standard 120volt AC electrical outlet.
 - a) press the On/off button. The red On LED light will light up to indicate the brew cycle has started.

CAUTION: Never open the Top cover during the brewing cycle; even if no water is draining from the Funnel. Extremely hot water/coffee can spill out from the basket and cause injury. If water/coffee is not draining from the filter basket, IMMEDIATELY unplug the unit and wait 10 minutes before opening and checking the filter .

8. When the brewing process ends and the water level indicator is empty, there will still be hot liquid in the filter. Wait a few minutes for the rest of the liquid to drip through into the cup.
9. After coffee grounds have cooled, open the top cover and carefully remove the filter by grasping the handle and lifting straight up from the Funnel compartment. Discard used coffee filter and grounds.

Note: brew cycle has been completed, indicator light will be closed, the machine will not heat. LCD display the current time

Caution: Don't open the reservoir lid during the brew cycle, as scalding may occur.

10. Allow all the coffee to drip from the brewing chamber into the mug before removing the mug .

Note: since coffee grounds absorb some water during brewing , the amount of brewed coffee will be slightly less than the amount of water pure dint other reservoir.

11. If brewing another mug of coffee at this time proceed to the brewing a second mug of coffee section, when all brewing is complete, unplug the power cord from the electrical outlet.

PROGRAMMING YOUR COFFEE MAKER – Automatic Operation

SETTING THE CLOCK

1. You may set the clock any time before or after brewing.
2. Press the HOUR and then the MIN buttons to set the current time. Press and hold the buttons to scroll through numbers quickly. When the number displayed approaches the desired setting, press and release the button to advance one digit at a time.

SETTING Pre-set Model.

1. To set the desired auto brew start time, first press the PROGRAM button. Next set the time you want coffee to begin brewing by using the HOUR and MIN buttons following the same directions for setting the clock.
2. A PROGRAME word will be displayed in the upper left hand corner of the LCD digital clock/display to indicate an auto brew start time is being set. When setting an auto brew time to confirm your auto brew start time simply press the PROGRAM button and the pre-set time will be displayed on the LCD display.
3. Your coffee maker will automatically begin brewing at the pre-set time. When the brew cycle begins, the green light will come on to indicate the coffee maker is in operation.
4. If you want to cancel the Pre-set Model, Press the PROGRAM button about 3 second ,the PROEGRAM word will be disappear from the LCD .

Brewing a Second Mug of Coffee:

To brew another Mug of coffee, allow the Coffeemaker to completely cool (about five minutes) after the Indicator Light has shut off. Rinse the Mug and the Reusable Mesh Filter with water. Repeat the brewing procedure.

WARNING: If the Coffeemaker does not cool completely before reuse, water placed in the Water Reservoir may overheat. This can cause steam to escape, resulting in a risk of burns and/or personal injury.

NOTICE: Attempting to start another brewing cycle before the Coffeemaker cools may result in an incomplete cycle; the unit employs a thermal reset switch to prevent overheating and may shut down.

Hints for Great-Tasting Coffee:

- Always use fresh, cold water.
- For stronger or milder coffee, increase or decrease the amount of coffee grounds to suit your taste.
- Finer coffee grinds, such as Drip and Automatic Drip Coffeemaker (ADC) coffee grounds, promote a full extraction of flavor and a rich, full-bodied coffee.
- Store unused coffee grounds in a cool, dry place. After opening a package of coffee grounds, tightly reseal it and store it in the refrigerator to maintain freshness.
- For optimum coffee taste, buy whole coffee beans and finely grind them just before brewing.
- Do not reuse coffee grounds; this greatly reduces the coffee's flavor.
- Reheating coffee is not recommended as coffee is at its peak flavor immediately after brewing.
- A clean Coffeemaker is essential for making great-tasting coffee. Clean regularly as specified in the "Care and Maintenance" section.
- Prevent an oily buildup: A small amount of oil on the surface of brewed coffee is due to the release of oil from roasted coffee beans. Heavily-roasted coffee beans release more oil than others. Regularly cleaning your Coffeemaker will prevent an oily buildup.

Care and Maintenance

WARNING:

Always unplug the Power Cord from the electrical outlet and allow the product to cool completely before cleaning or storing.

Cleaning:

- The Mug, Mug Lid, and Filter Basket may be placed on the upper rack of a dishwasher for cleaning or hand washed in warm, soapy water. The Reusable Mesh Filter must be washed by hand.

NOTE: When washed in a dishwasher, the parts may appear to fade. Restore by polishing them with a soft, dry cloth.

- Wipe the exterior surface of the Coffeemaker with a soft, damp cloth. Do not use metal scouring pads or abrasive cleaners.

SETTING Pre-set Model.

To keep your Coffeemaker operating efficiently, remove mineral deposits left by water. At least once a month, use a water and vinegar household cleaning solution as described below to prevent the buildup of mineral deposits. If the water in your area is especially high in minerals, do this every two weeks.

1. Fill the Mug with one part of white vinegar and three parts of cold water.
2. Pour the water and vinegar mixture into the Water Reservoir.
3. Place the Mug (Lid off) onto the Base.
4. Press the Start Button; the Indicator Light will illuminate. NOTE: During cleaning, more steam occurs than when brewing coffee.
5. When the water-vinegar solution stops dripping into the Mug, allow the Coffeemaker to cool for three minutes. Remove, rinse, and replace the Mesh Filter and pour the water-vinegar mixture into the Water Reservoir again.
6. Press the Start Button. Allow all of the cleaning solution to drip into the Mug.
7. Discard the cleaning solution from the cup.
8. Allow the Coffeemaker to cool for three minutes, then remove, rinse, and replace the Filter Basket.
9. Rinse the Coffeemaker by brewing a cup of cold water.
10. Allow the Coffeemaker to completely cool and clean it by washing the Mug, the Filter Basket, and the Reusable Mesh Filter in soapy water; rinse and let dry.

storing:

- Store in a cool, dry location.

Electrical Specifications

Voltage	Frequency	Wattage	Amperage
120V 220-240V	50/60Hz	700W	5.8A