

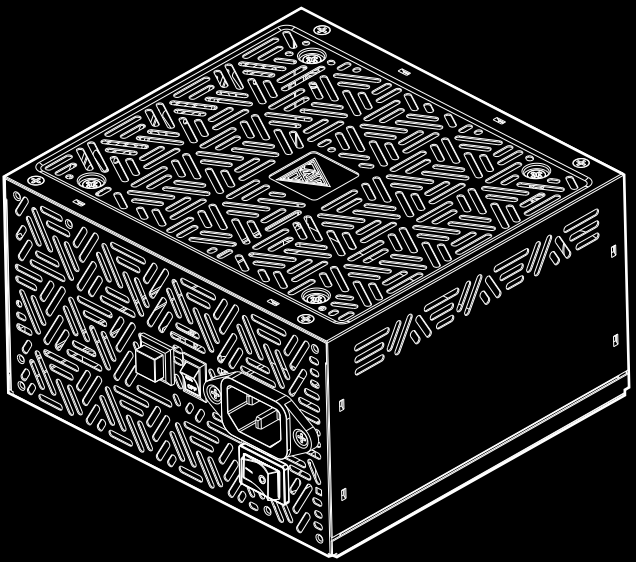
STEP by STEP INSTALLATION GUIDE



GAMDIAS
KRATOS GOLD **P1A-750W**
Addressable RGB 750W Power Supply

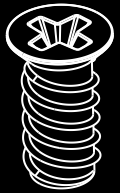
Package Contents

A



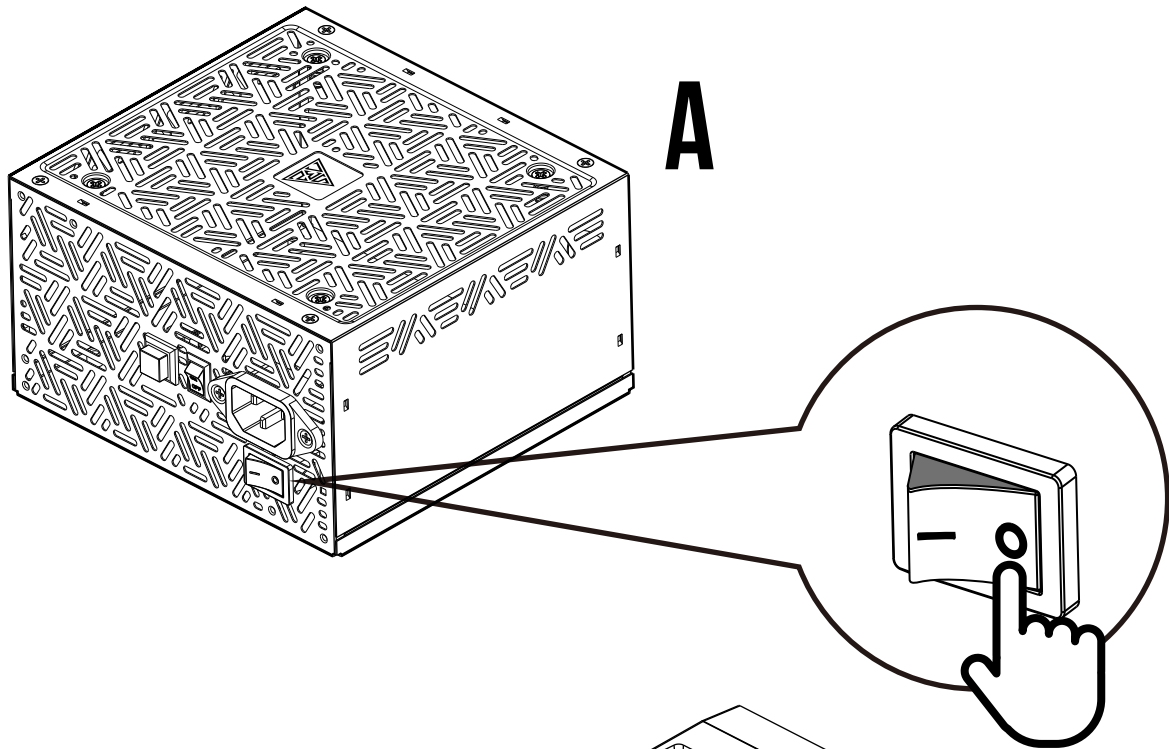
X1

B

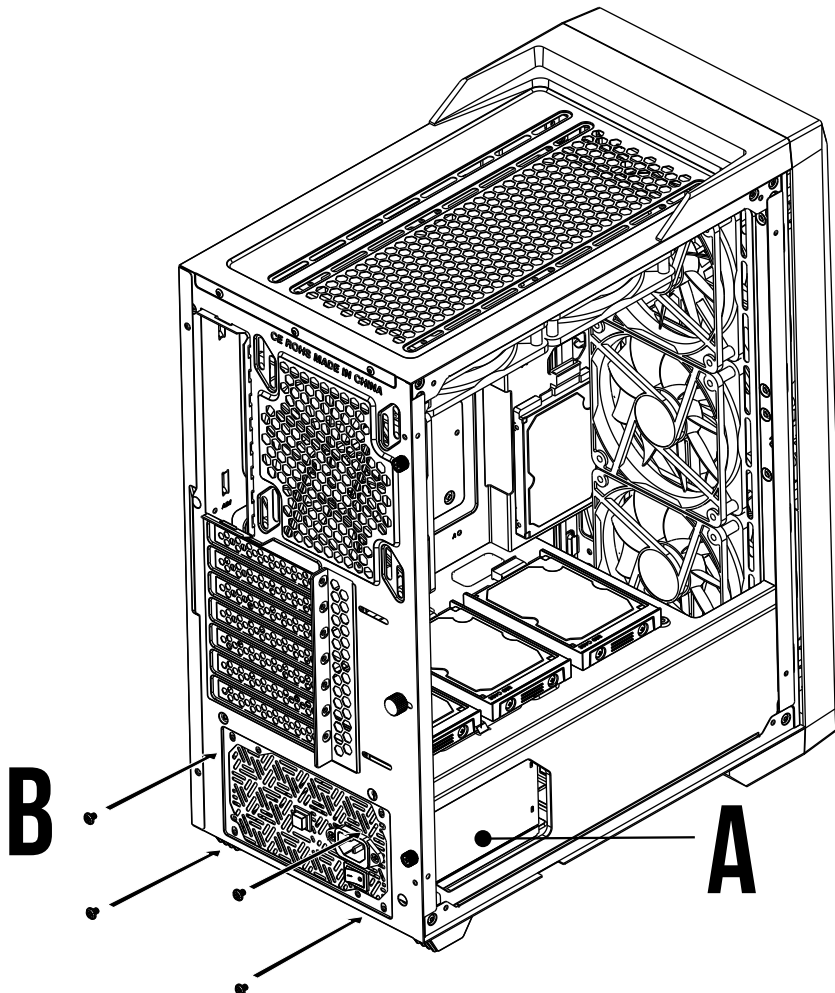


X4

1 Turn off the PSU before installing by pushing I/O switch to "O" position.

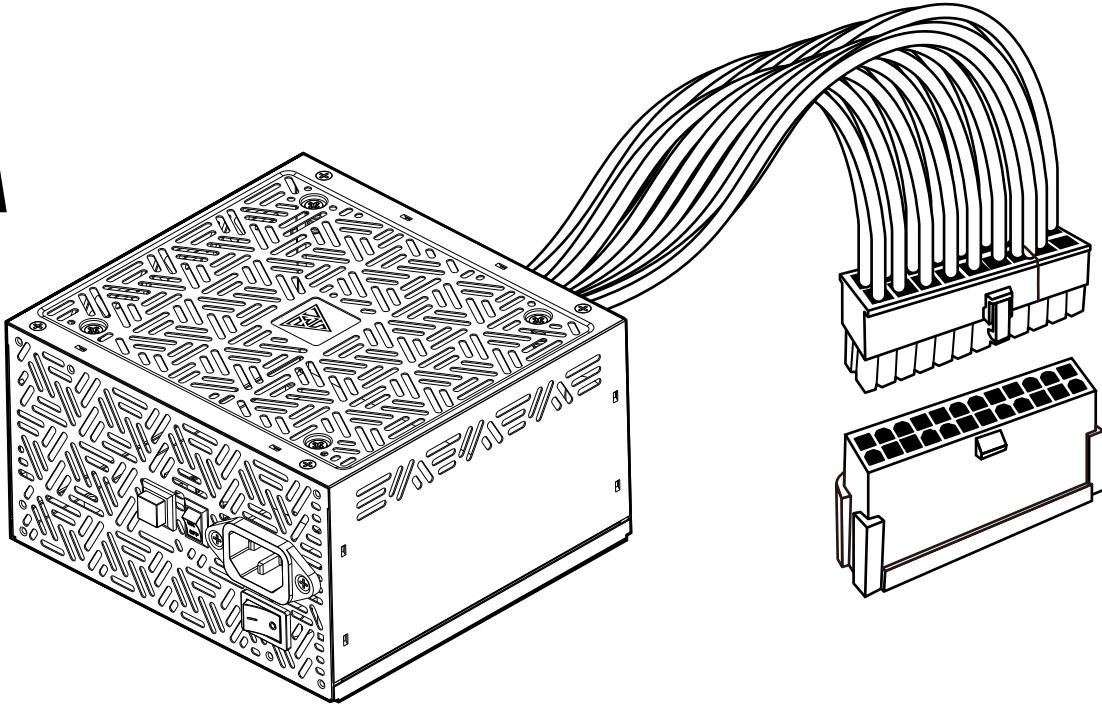


2



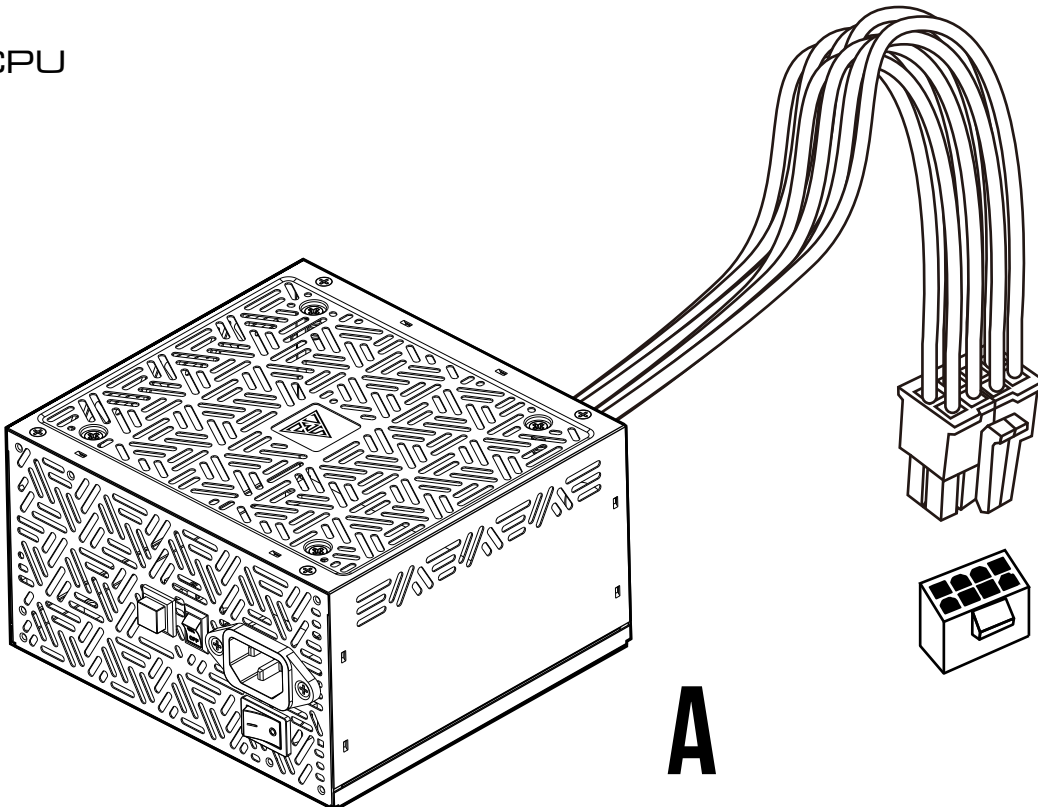
3 Motherboard

A

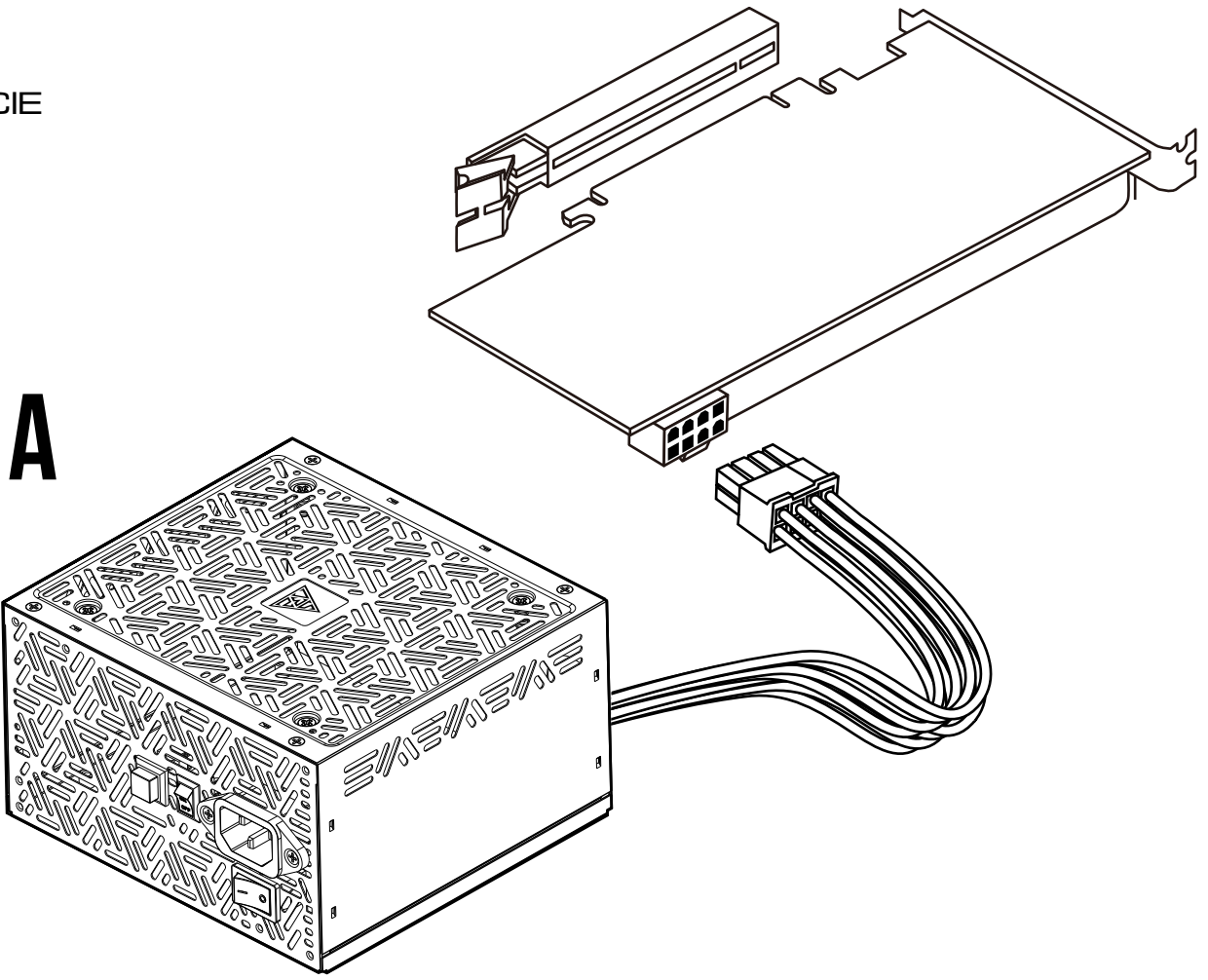


4 CPU

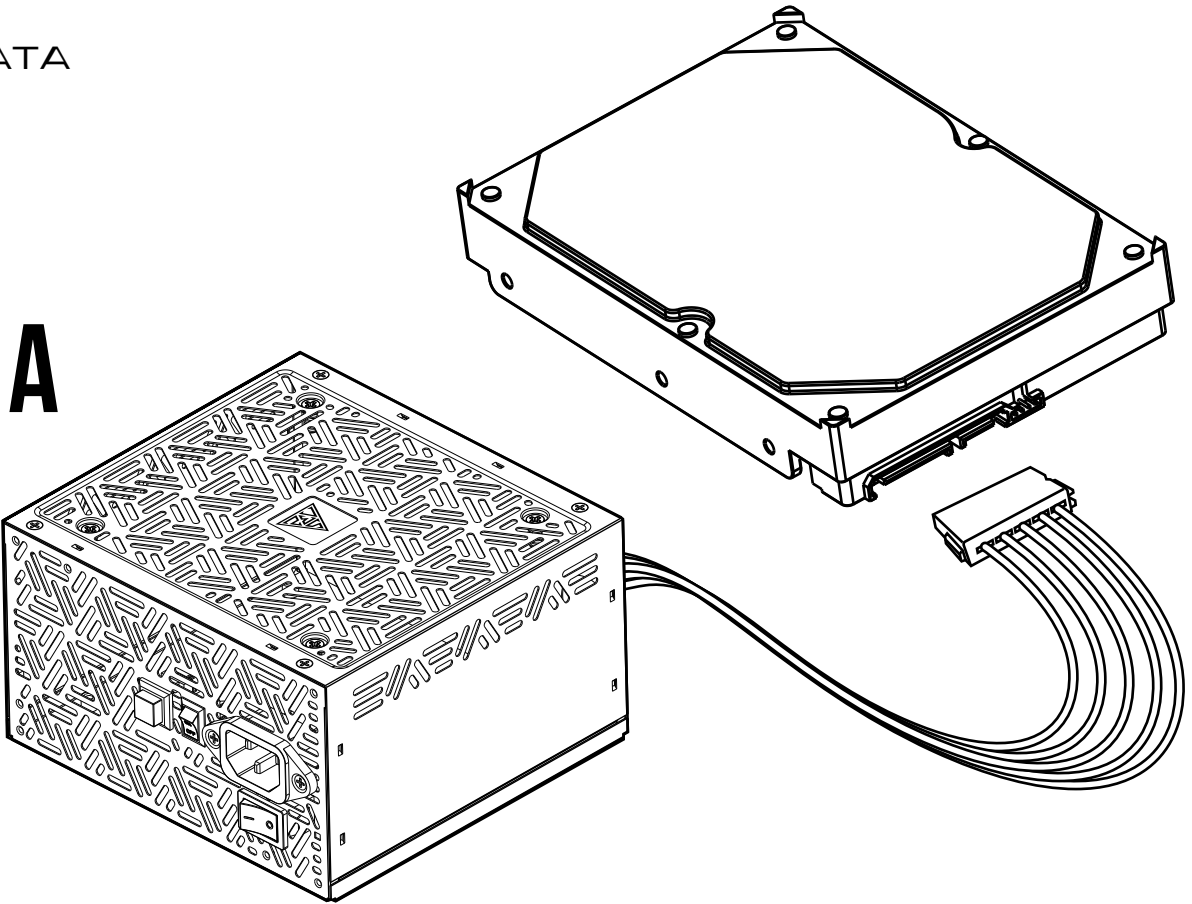
A



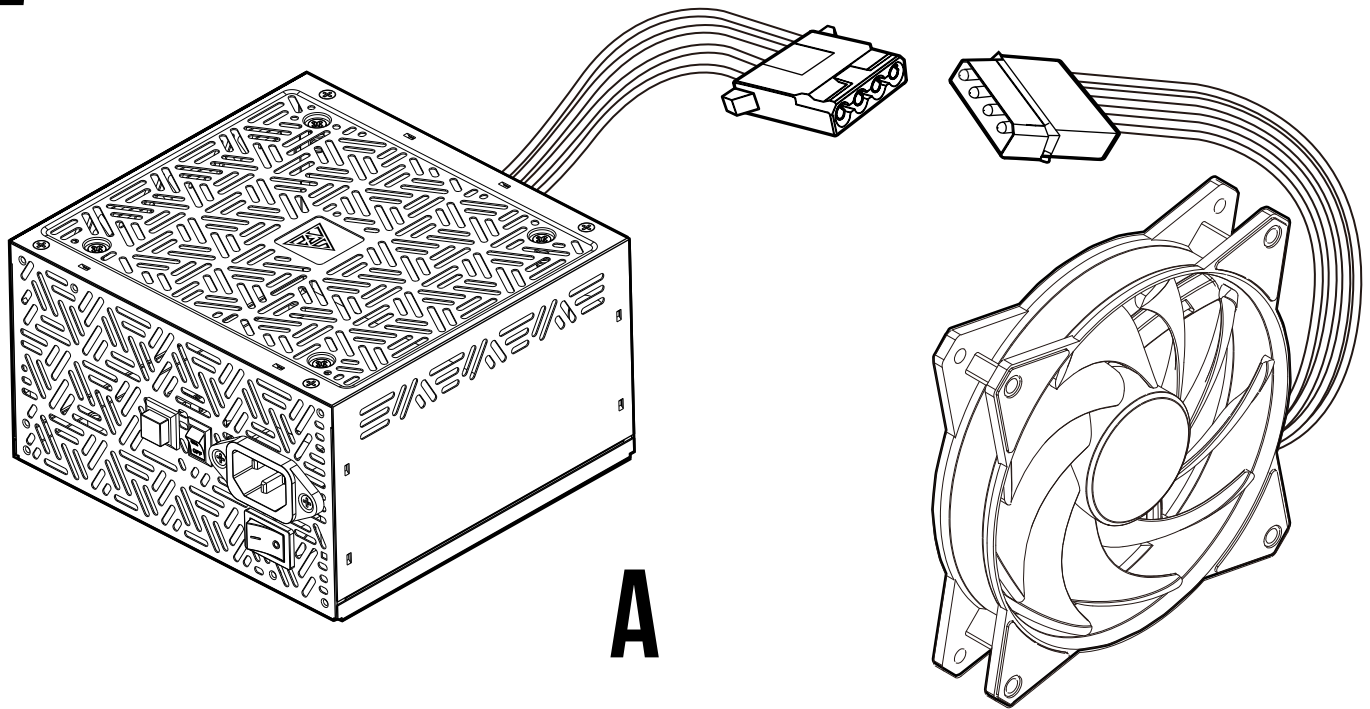
5 PCIE



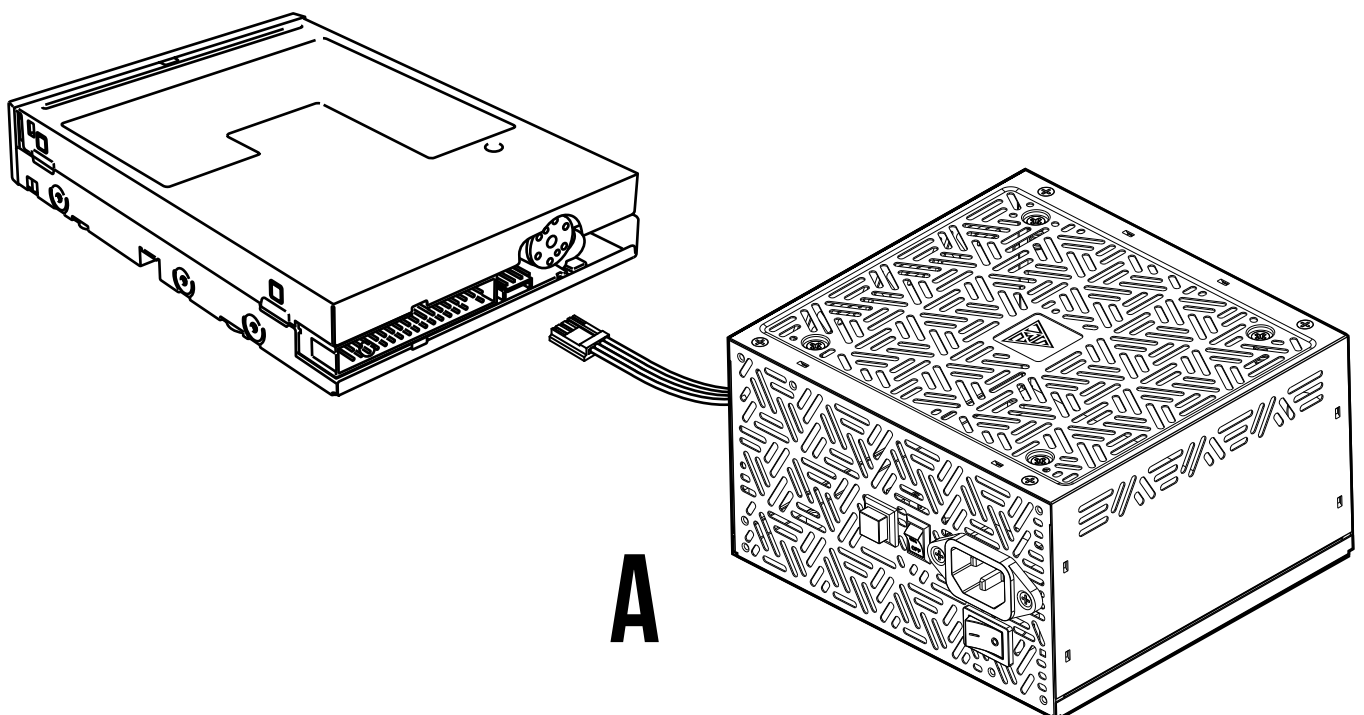
6 SATA



7 Molex

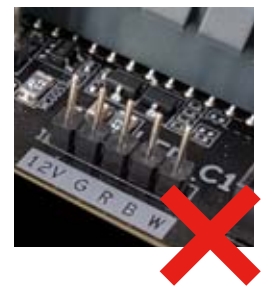
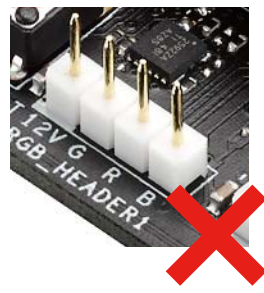
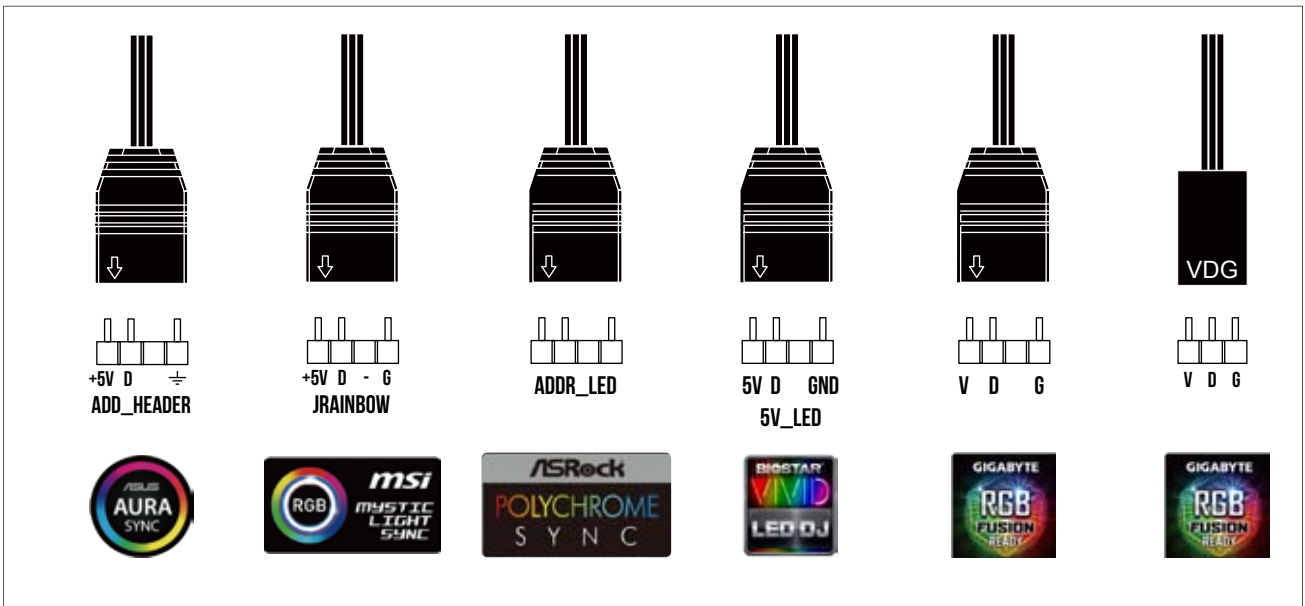
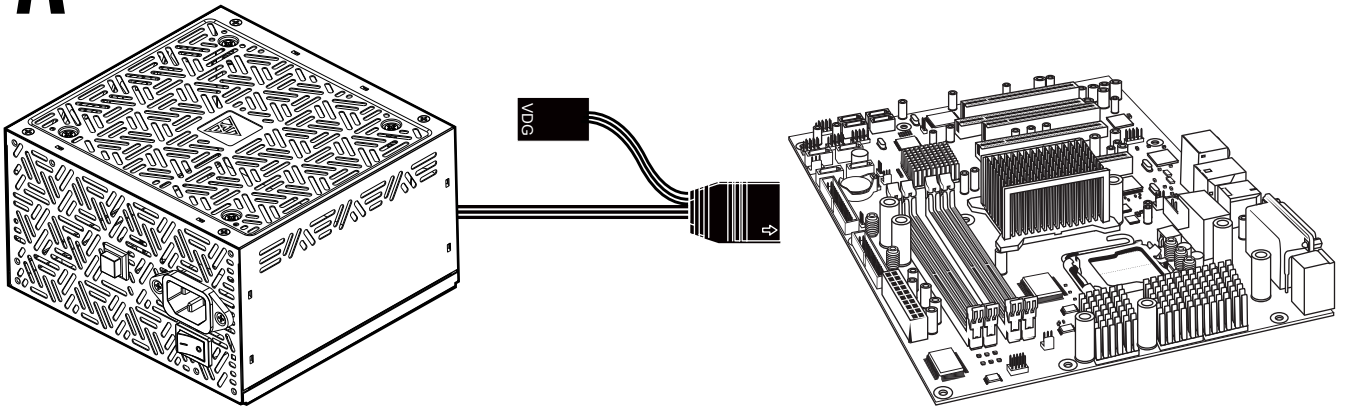


8 FDD



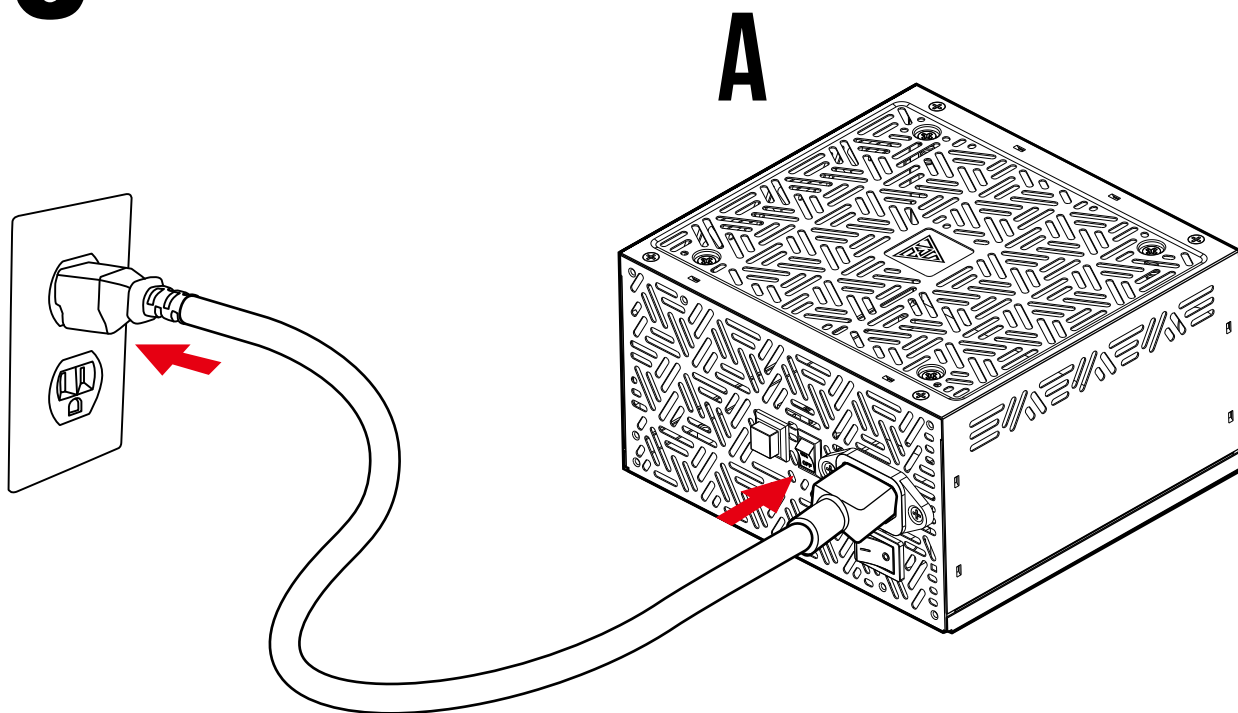
9 If your motherboard has 5V 3-Pin addressable (digital) RGB header, you can customize RGB lighting via motherboard manufacturer sync software.

A

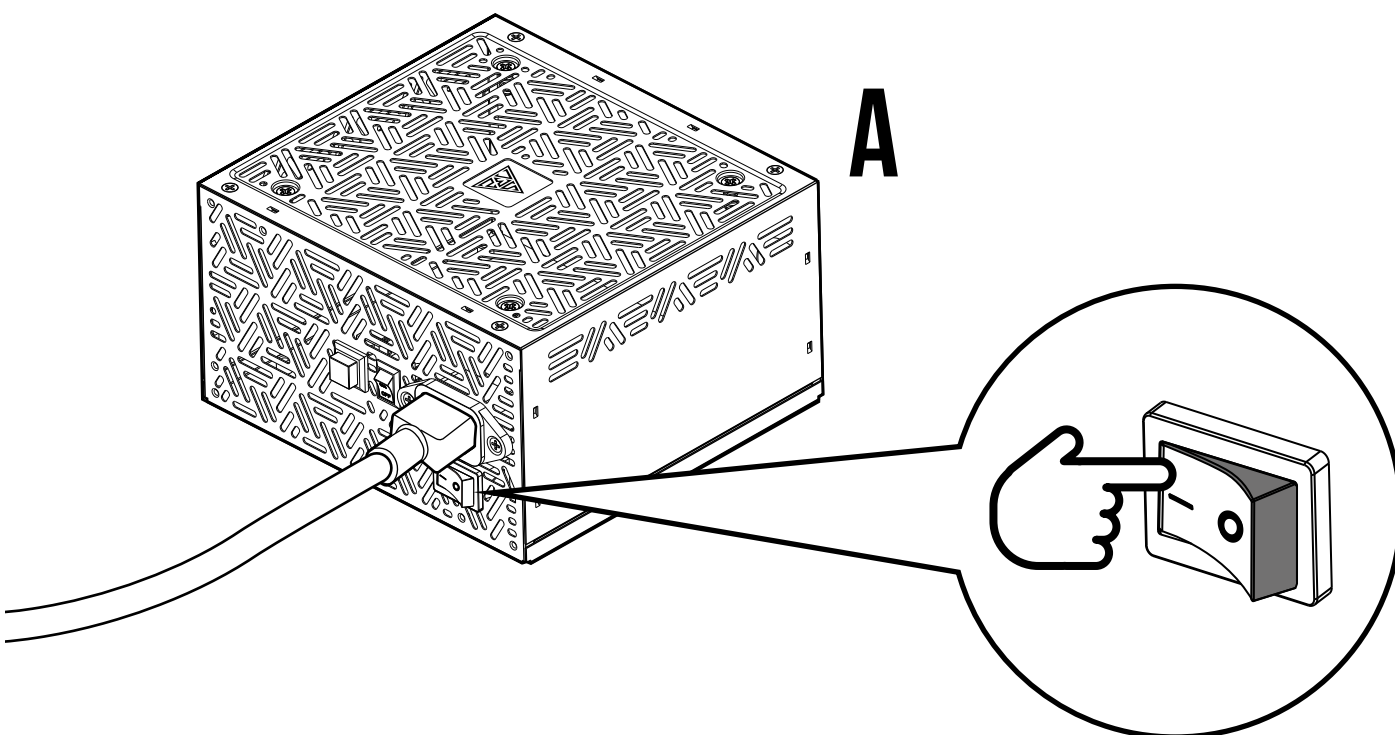


KRATOS P1A-750G only support 5V addressable (digital) RGB header

10 Plug in the AC power cord.

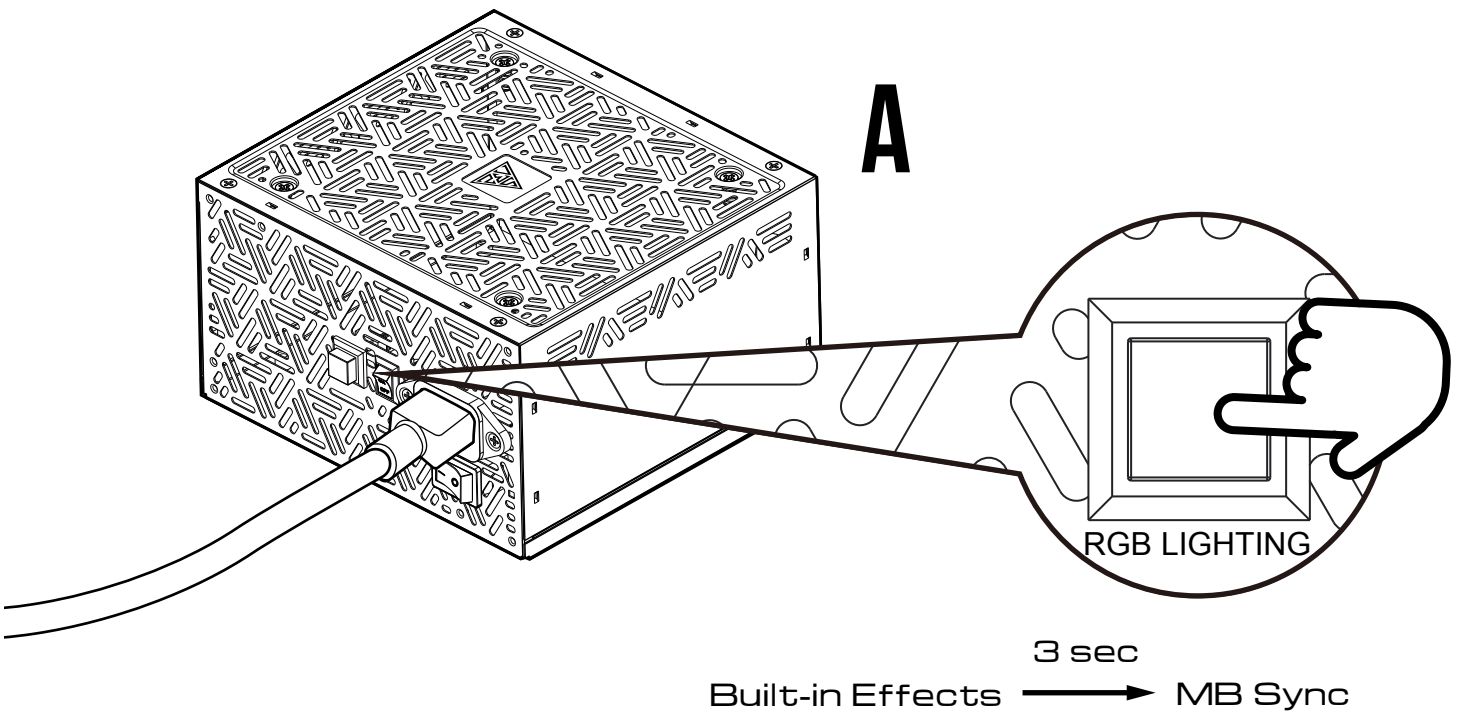


11 Turn on the PSU after installing by pushing I/O switch to "I" position.



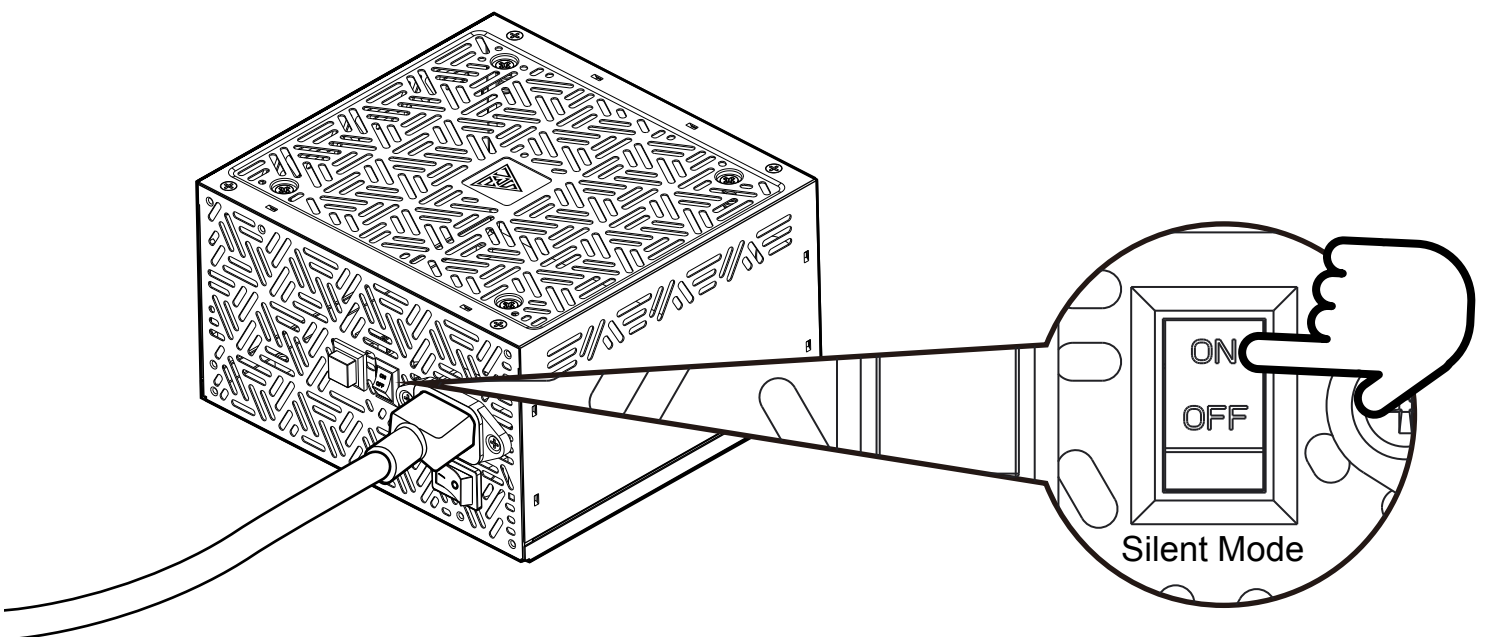
12

Press and hold button for 3 seconds switches to RGB motherboard sync



13

On : Automatic fan speed optimized according to temperature
Off : Full fan speed for maximum heat dissipation and performance improvement





GAMDIAS

GAMING ART IN MOTION