

Café™ 30" Slide-In Front Control Dual-Fuel Double Oven with Convection Range

C2S950P4MW2 / C2S950P3MD1

CAFÉ



ALSO AVAILABLE IN



C2S950P3MD1
Matte Black with
Brushed Stainless
handles and knobs



FEATURES & BENEFITS

Entertaining for large groups is easy with the industry's first **six burner, edge-to-edge** cooktop that can accommodate cookware of all sizes and a **cast-iron integrated griddle** that provides enough room to perfectly flip crab cakes, arepas and other crowd favorites.

Create an unforgettable dinner, using a **21K triple ring burner** to do everything from searing scallops to simmering a lemon caper white wine sauce and a **15K power boil burner** to boil water quickly for al dente angel hair pasta.

Get the precision you need to pull off a multi-course dinner party with this **6.7 cu. ft. double oven dual fuel range**, which boasts a gas-powered cooktop for precise heat control and electric **True European Convection with Precise Air** in the oven for even baking results.

Control your oven from any room in the house with your Smart phone using **WiFi Connect**.

Every detail of your kitchen is designed to delight, thanks to a sleek **LED control panel** that visually disappears when not in use and wakes up when prompted.

Easily access everything from heavy roasts to delicate desserts with a **self-clean heavy duty roller rack** that glides smoothly on ball bearings and can stand up to the heat of self-clean.

Create a chef-like experience with **Chef Connect**, which can synchronize your appliance clocks and surface lights and vent when a range burner is in use, and even your microwave and range clocks.

Get roasts and meats just right with a **temperature probe** that lets you monitor progress without opening the oven door.

APPEARANCE

Cooktop Burner Grate Color	Matte Black
Installation	Power Cord Not Included
Oven Door Features	Big Clear View Oven Window
Handle	Professional Style; Customizable; Consumer Removable
Handle Design	GE Café

FEATURES

Configuration	Double Oven Range
Cooking System	True European Precise Air Reversing
Cooking Technology	Traditional Upper; Convection Lower
Oven Cleaning Type	Self-Clean with Steam Clean Option
Burner - Left Front	21,000 BTU Tri-ring Burner
Burner - Left Rear	5,000 BTU Precise Simmer
Burner - Right Front	15,000 BTU
Burner - Right Rear	12,000 BTU
Burner - Center	9,500 BTU Front / 9,500 BTU Rear
Cooktop Burner Type	Sealed
Cooktop Surface	Deep Recessed; Stainless Steel
Dishwasher Safe Knobs	Yes
Control Location	Front controls
Control Type	Digital Temperature Display; mGlass Touch; Oven Control - Digital
Valves (Degree of Turn)	270
Oven Control Features	Audible Preheat Signal; Automatic Oven Timer (Time Bake); Auto Oven Shut-Off; Auto Self Clean; Certified Sabbath Mode; Chef Connect; Control Lock Capability; Delay Bake Option (Time Bake); Delay Clean Option; Digipad Numeric Entry; Electronic Clock and Timer; Front Controls; In-Oven Broiling; Temperature Probe; Self-Clean Cool Down Time Display
Oven Cooking Modes	Convection Bake; Convection Roast
Oven Features	6-Pass Broil Element; 8-Pass Broil Element
Cooktop Burner Grate Features	Heavy-Cast Edge-to-Edge Grates
Cooktop Burner Grate Material	Cast-Iron
Cleaning Time	Variable with Delay Clean Option
Self-Clean Oven Door Lock	Automatic
Oven Rack Features	1 Roller Rack (Upper); 2 Self-Clean Flat Oven Racks (Lower); 6 Rack Positions
Fuel Type	240V Electric and Natural Gas
Ignition System	Electronic w/Auto Reignition
Leveling System	4 Leveling Legs
Style	Commercial
Oven Interior	2 Oven Interior Lights; Hidden Bake; Black
Connected Capabilities	Amazon Alexa; The Google Assistant; IFTTT; Nest; Drop; Innit; DiGiorno
WiFi Connect	Built-In
Lower Oven Features	Dual element bake

CAPACITY

Total Capacity (cubic feet)	7.0 cu ft
Capacity (Cu. Ft.)	2.7 Upper / 4.3 Lower

ACCESSORIES

Grates	Included Center Grate
Grill	Optional; Integrated Cast Iron; JXCGRILL1
LP Conversion Kit	Included
Trim Kit	Optional; JXFILLR1SS
Griddle	Included; Integrated Cast Iron

WEIGHTS & DIMENSIONS

Cabinet Opening	30 in
Depth with Door Open	43-7/8 in
Approximate Shipping Weight	291 lb
Net Weight	271 lb
Height to Top of Rear Vent Trim	37-3/8 in
Overall Height	37-3/8 in
Height to Cooking Surface (in.)	36-1/4 +/- 1/4
Overall Width	29-7/8 in
Cabinet Width	30 in
Overall Depth	29-1/2 in
Depth Without Handle	26-7/8 in
Oven Interior Dimensions (W x H x D) (in.)	24 x 9-1/2 x 19-1/8 - Upper 24 x 15 x 20-5/8 - Lower

Café™ 30" Slide-In Front Control Dual-Fuel Double Oven with Convection Range



C2S950P4MW2 / C2S950P3MD1

POWER / RATINGS

Amp Rating at 208V	30
Amp Rating at 240V	30
Convection Wattage	2500W
Top Burner BTU Rating - LP (000's BTU's)	(1) 18.0 Tri-Ring; (1) 15.0; (1) 12.0; (2) 9.5; (1) 5.0
Top Burner BTU Rating - Nat. Gas (000's BTU's)	(1) 21.0 Tri-Ring; (1) 15.0; (1) 12.0; (2) 9.5; (1) 5.0
Volts/Hertz/Amps	208/240V; 60Hz; 40A
Power Connection	Power Cord - Not Included
Bake Wattage	2650W Upper / 2650W Lower
Broiler Wattage	3000W Upper / 3600W Lower

WARRANTY

Parts warranty	Limited 1-year entire appliance
Labor warranty	Limited 1-year entire appliance

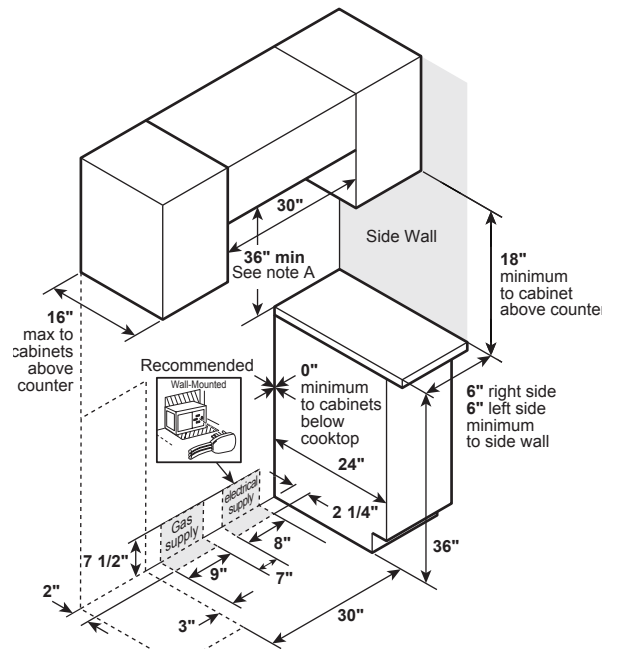
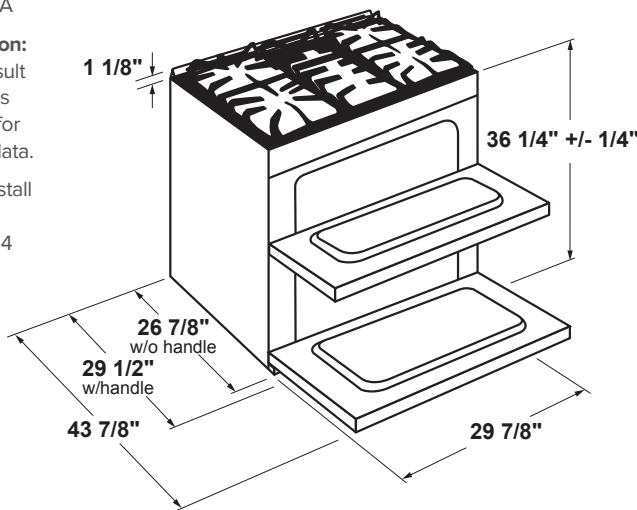
DIMENSIONS

Electrical Requirements:
240v/208v; 60Hz, 40A

Installation information:

Before installing, consult installation instructions packed with product for current dimensional data.

For all installations, install the required rear trim to back of range with 4 screws provided.

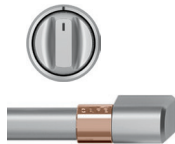


Note A: 36" Minimum to bare cabinet, see installation instructions heights less than 36"

ADDITIONAL ACCESSORIES



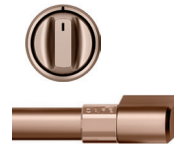
CXFCGHKPMBZ
Brushed Bronze
2 handles; 6 knobs
(Standard on Matte White)



CXFCGHKPMSS
Brushed Stainless
2 handles; 6 knobs
(Standard on Matte Black)



CXFCGHKPMBT
Brushed Black
2 handles; 6 knobs



CXFCGHKPMCU
Brushed Copper
2 handles; 6 knobs